



US00D324908S

United States Patent [19]

[11] Patent Number: **Des. 324,908**

Sauter et al.

[45] Date of Patent: **** Mar. 24, 1992**

[54] SINK

[75] Inventors: **Bruce M. Sauter, Schaumburg, Ill.;
Raymond A. Dickson, Jr., Searcy,
Ark.**

[73] Assignee: **Kohler Co., Kohler, Wis.**

[**] Term: **14 Years**

[21] Appl. No.: **502,134**

[22] Filed: **Mar. 29, 1990**

[52] U.S. Cl. **D23/290**

[58] Field of Search **D23/270-274,
D23/284-294, 308; 4/619, 625, 630-659**

[56] References Cited

U.S. PATENT DOCUMENTS

D. 234,464 3/1975 Stairs, Jr. .

OTHER PUBLICATIONS

Domestic Engineering, Mar. 1986, p. 76, top left item.
Ad for the Model No. Haud 2132 sink from Vance
dated Mar. 21, 1988.

Pages from a Franke ad for the Model CP630 sink.

Pages 10-8 from a Sep. 1986 Kohler catalog showing
the Delafield sink.

Page 17 from an undated Elkay catalog showing the
Model LR-3322 sink.

Page 2 from an undated Republic catalog showing the
Model IL332 sink.

An unnumbered page from an undated Polar catalog
showing the Model 883-8 sink.

An unnumbered page from an undated Polar Catalog
showing the Model 940-5 sink.

Primary Examiner—James R. Largen
Attorney, Agent, or Firm—Quarles & Brady

[57] CLAIM

The ornamental design for a sink, as shown and de-
scribed.

DESCRIPTION

FIG. 1 is a perspective view taken from the top, front
and right side of a sink showing our new design;

FIG. 2 is a top plan view thereof;

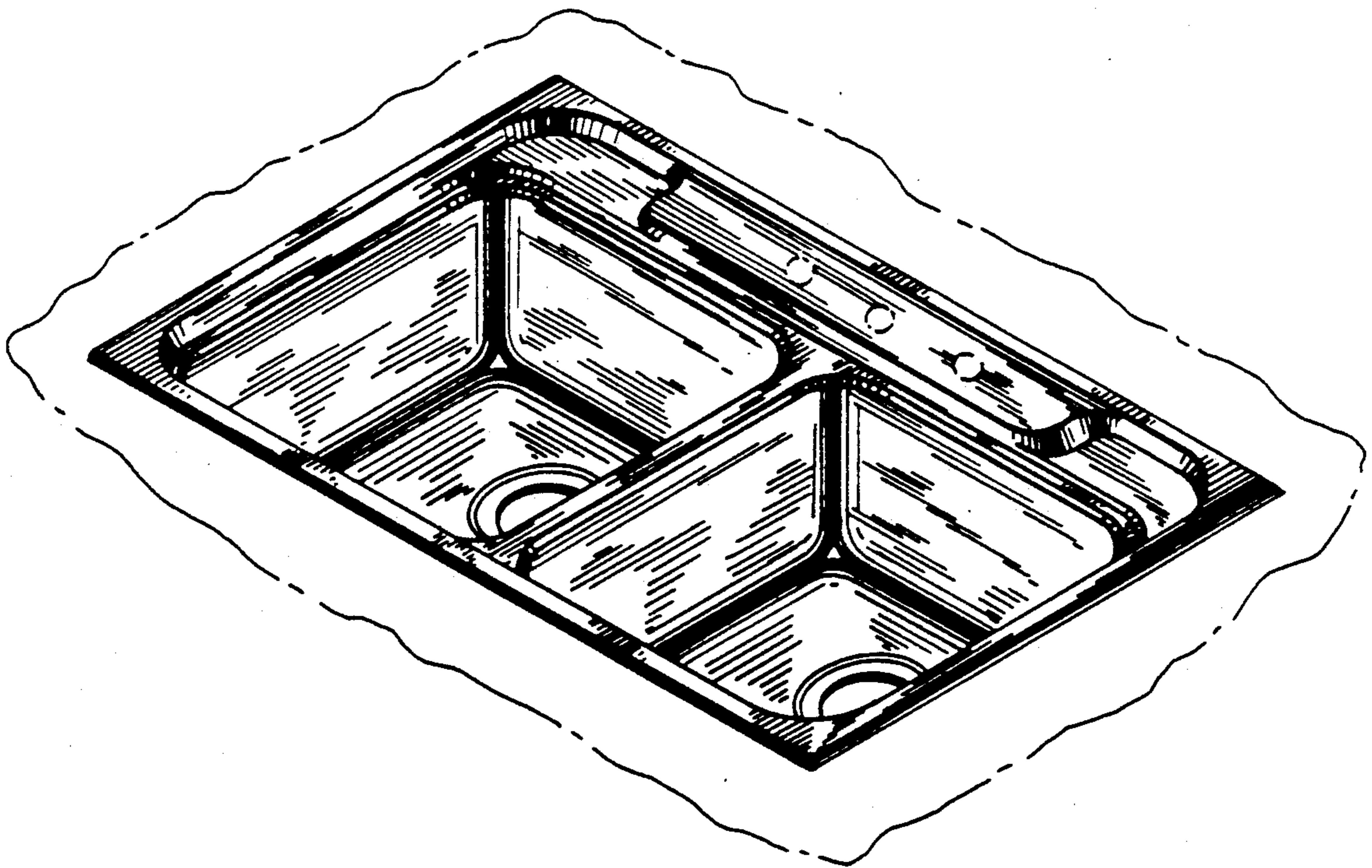
FIG. 3 is a cross-sectional view taken on line 3—3 of
FIG. 2;

FIG. 4 is a cross-sectional view taken on line 4—4 of
FIG. 2;

FIG. 5 is an enlarged fragmentary cross-sectional view
taken on line 5—5 of FIG. 2; and,

FIG. 6 is an enlarged fragmentary cross-sectional view
taken on line 6—6 of FIG. 2.

The broken line representation of holes and the frag-
mentary broken line representation of a counter top in
FIG. 1 are for purposes of illustration only and form no
part of the claimed design.



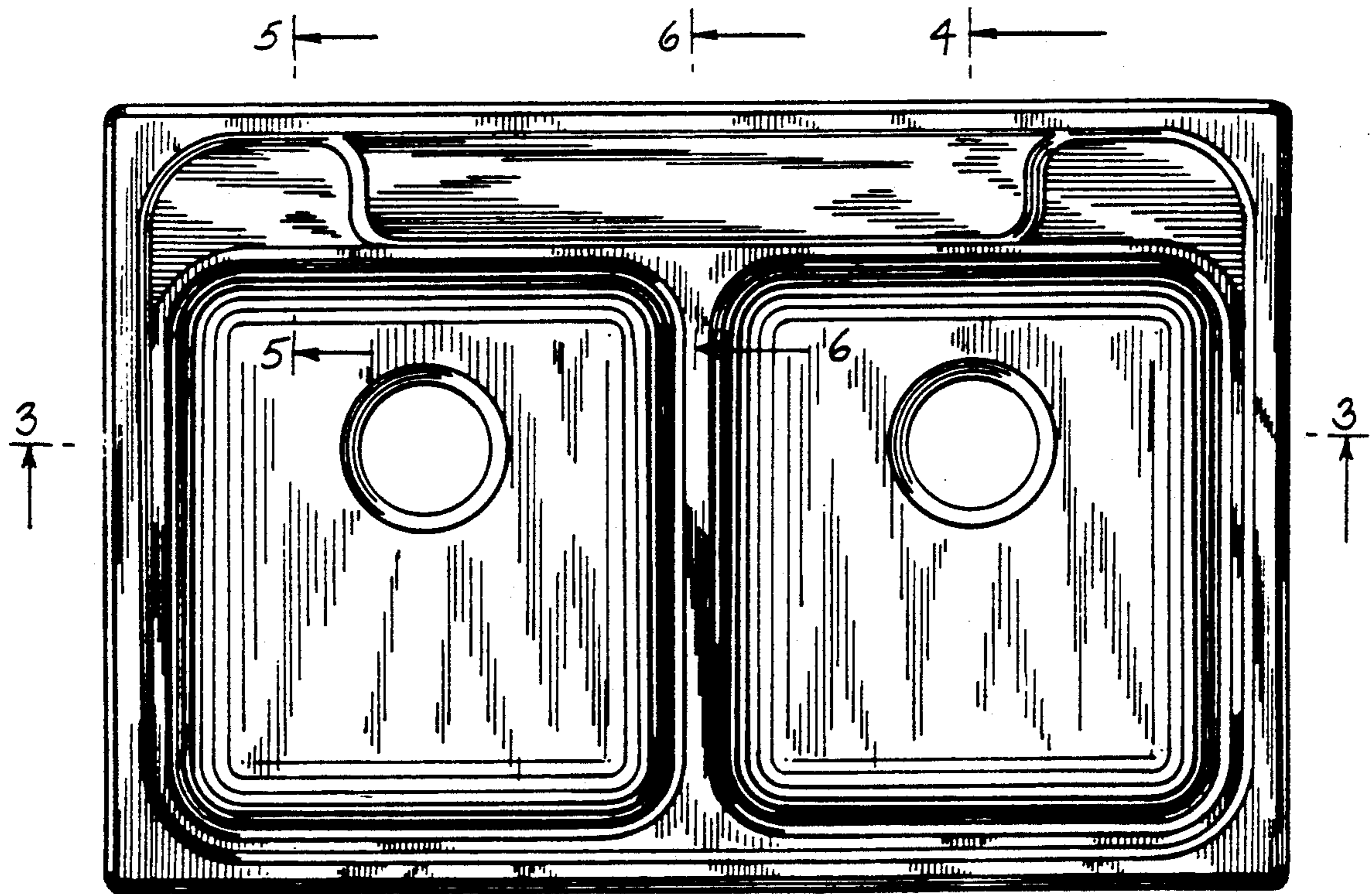
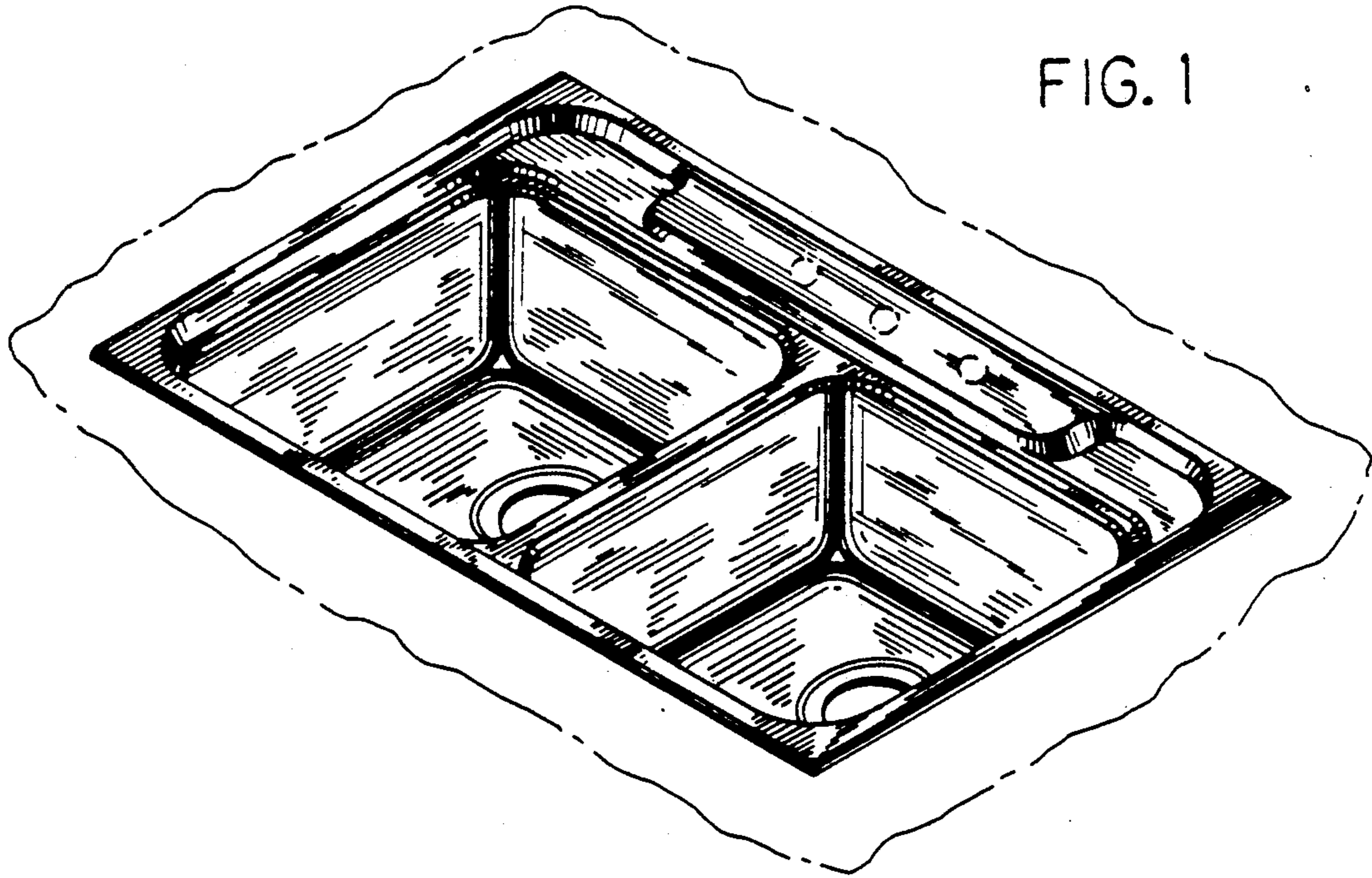


FIG. 2



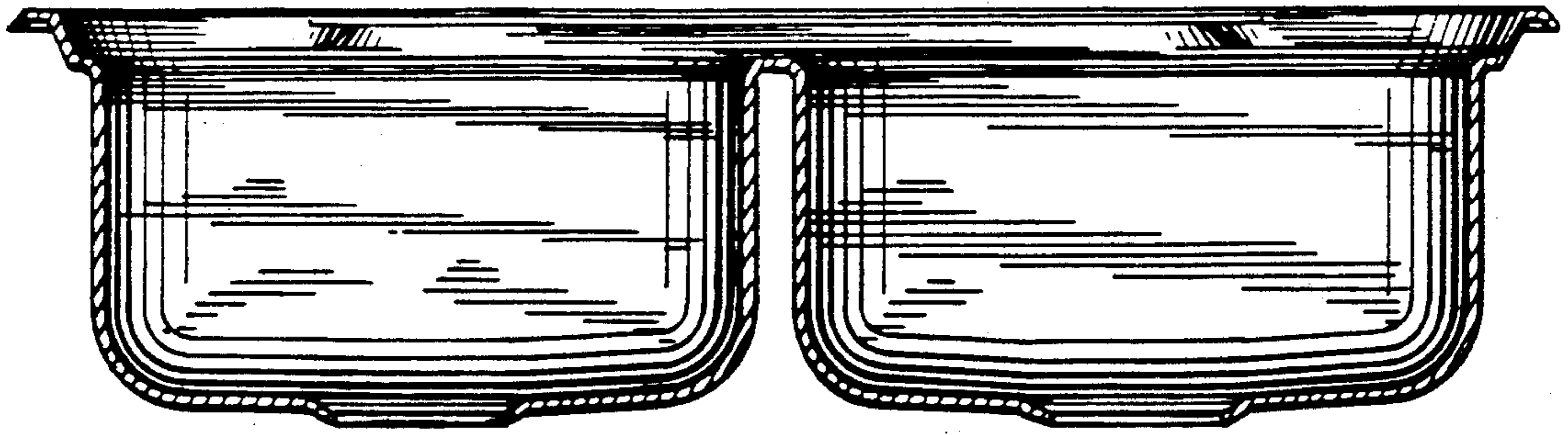


FIG. 3

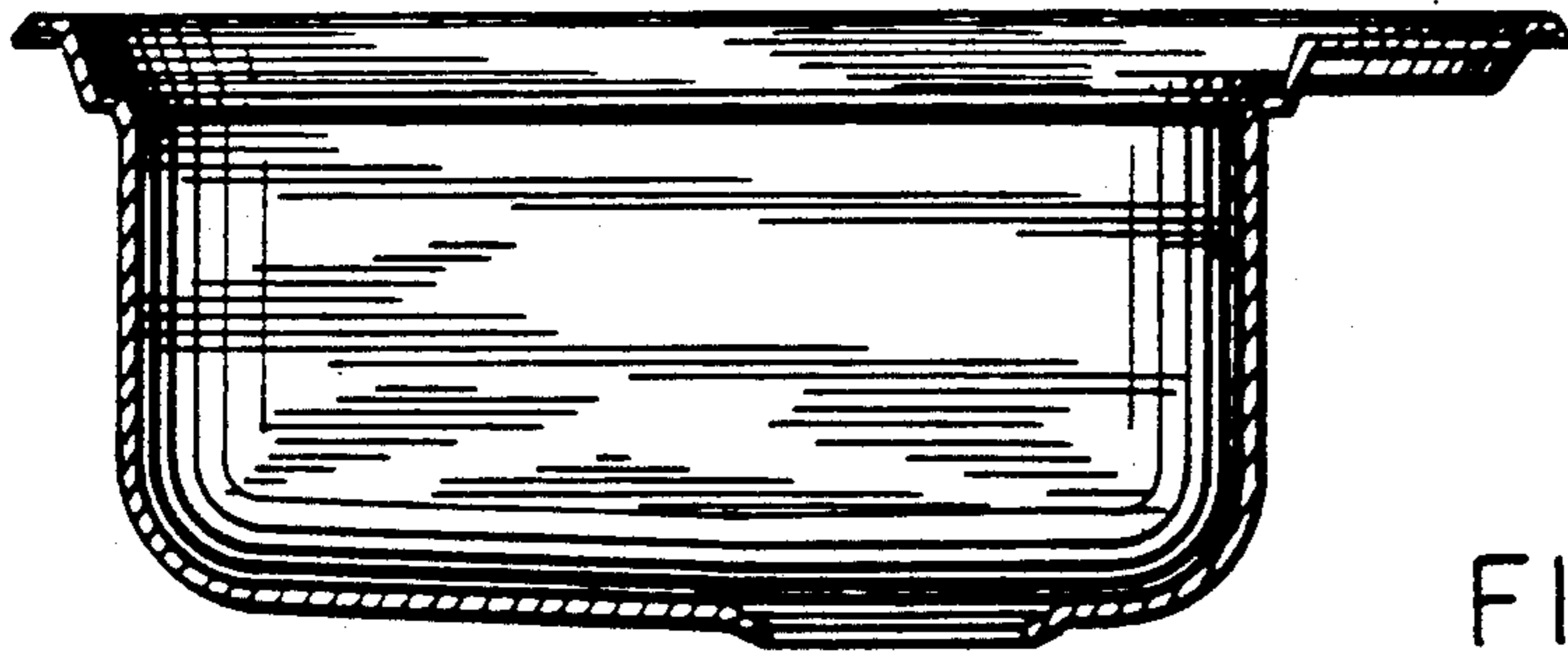


FIG. 4

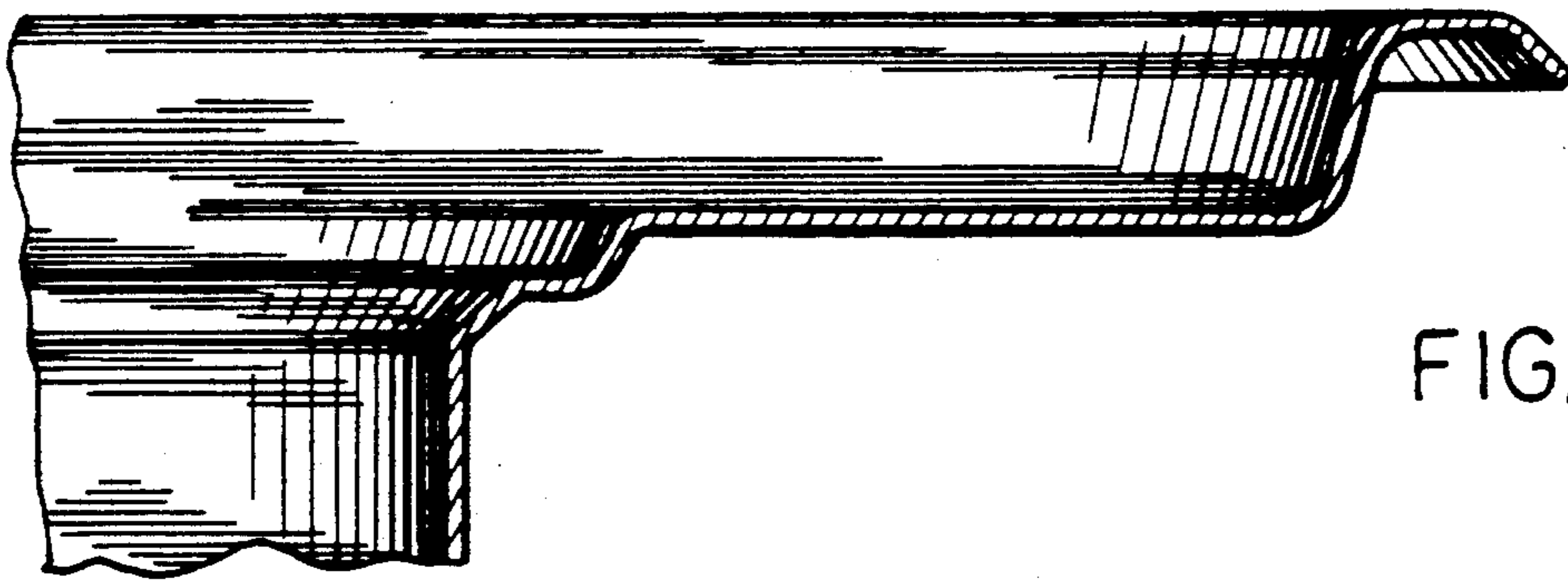


FIG. 5

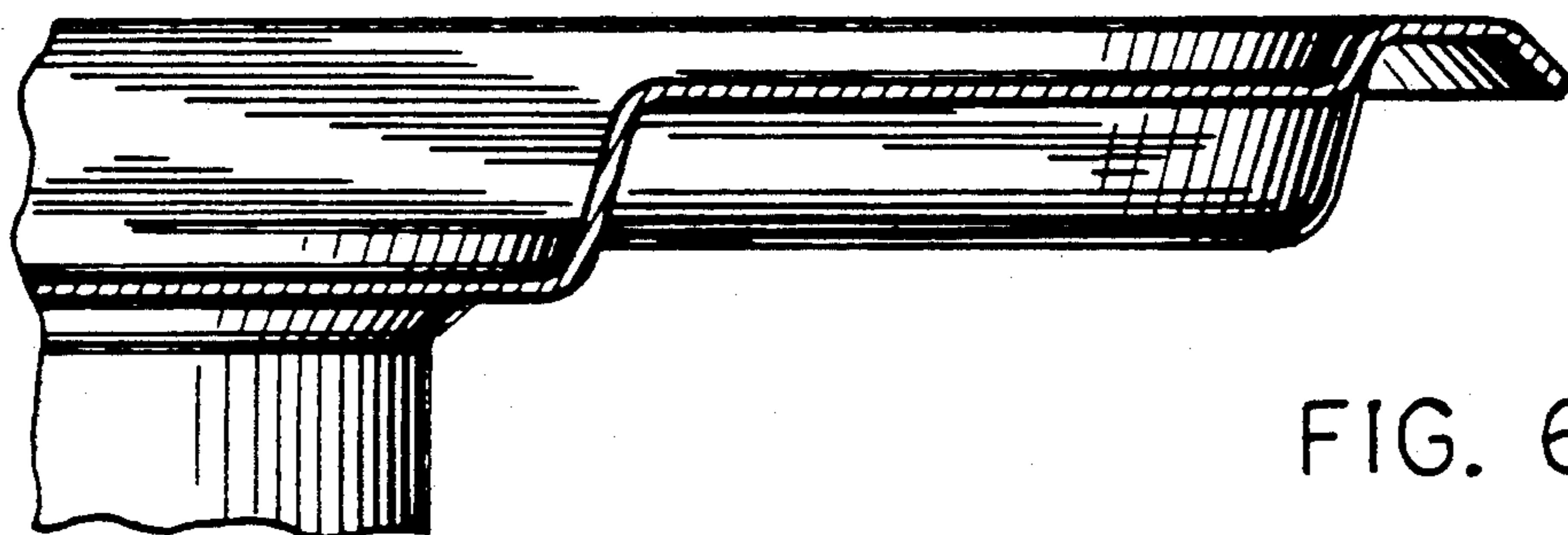


FIG. 6