



US00D324905S

United States Patent [19]

[11] Patent Number: **Des. 324,905**

Chretien

[45] Date of Patent: **** Mar. 24, 1992**

[54] FAUCET

[75] Inventor: **Phillippe Chretien, Dietlikon, Switzerland**

[73] Assignee: **KWC AG, Unterkulm, Switzerland**

[**] Term: **14 Years**

[21] Appl. No.: **450,367**

[22] Filed: **Dec. 13, 1989**

[30] **Foreign Application Priority Data**

Jun. 13, 1989 [CH] Switzerland 117489

[52] U.S. Cl. **D23/238**

[58] Field of Search **D23/238-243, D23/250-257; 4/191, 192; 137/801**

[56] **References Cited**

U.S. PATENT DOCUMENTS

D. 183,672	10/1958	Barker	D23/238
D. 217,670	5/1970	Rowlands	D23/238
D. 220,101	3/1971	Brown et al.	D23/238
D. 227,762	7/1973	Arbon	D23/238
D. 253,601	12/1979	Haug	D23/238

D. 290,492	6/1987	Hill et al.	D23/238
D. 291,232	8/1987	Haug et al.	D23/238
D. 291,234	8/1987	Bergmann et al.	D23/238
D. 291,235	8/1987	Bergmann et al.	D23/238
D. 291,590	8/1987	Bengtsson	D23/238
D. 301,162	5/1989	Oberdorfer	D23/238

OTHER PUBLICATIONS

Domestic Engineering, Feb. 1987, p. 55.

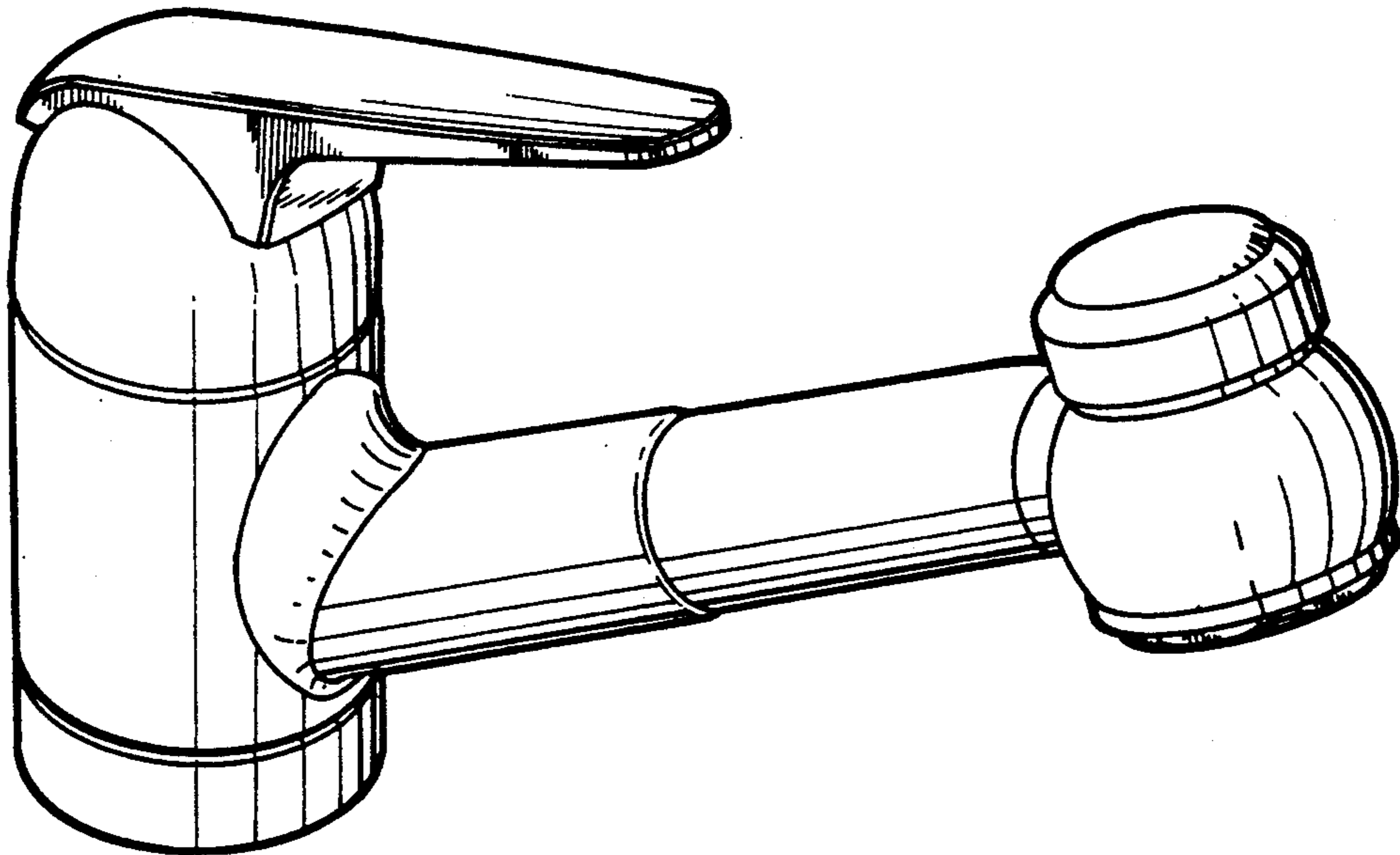
Primary Examiner—James R. Largen
Attorney, Agent, or Firm—Oblon, Spivak, McClelland, Maier & Neustadt

[57] **CLAIM**

The ornamental design for faucet, as shown.

DESCRIPTION

FIG. 1 is a right side elevational view of a faucet showing my new design;
FIG. 2 is a left side elevational view thereof;
FIG. 3 is a perspective view taken from the top, front and left side thereof;
FIG. 4 is a front elevational view thereof; and,
FIG. 5 is a top plan view thereof.



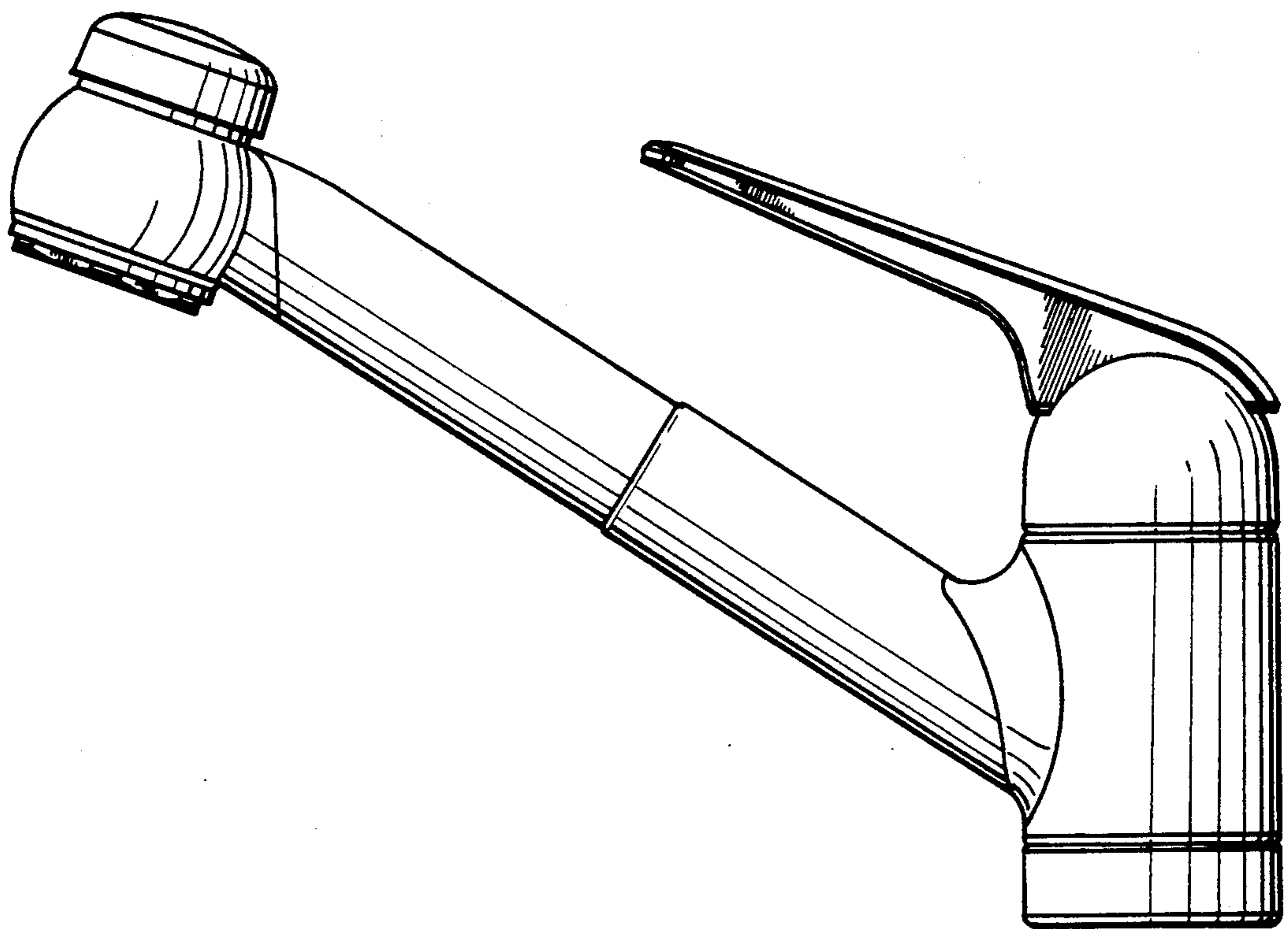


FIG.1

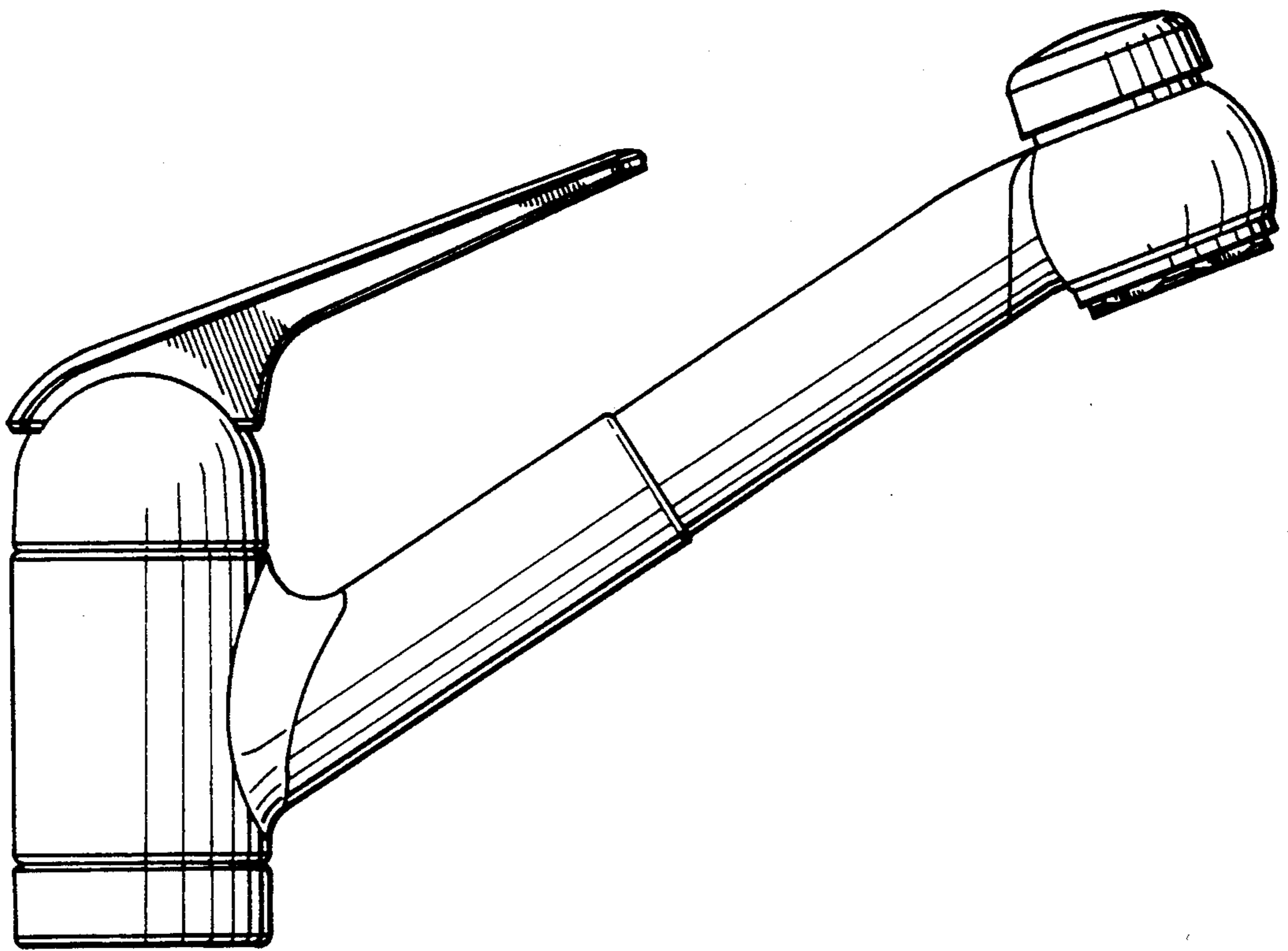


FIG.2

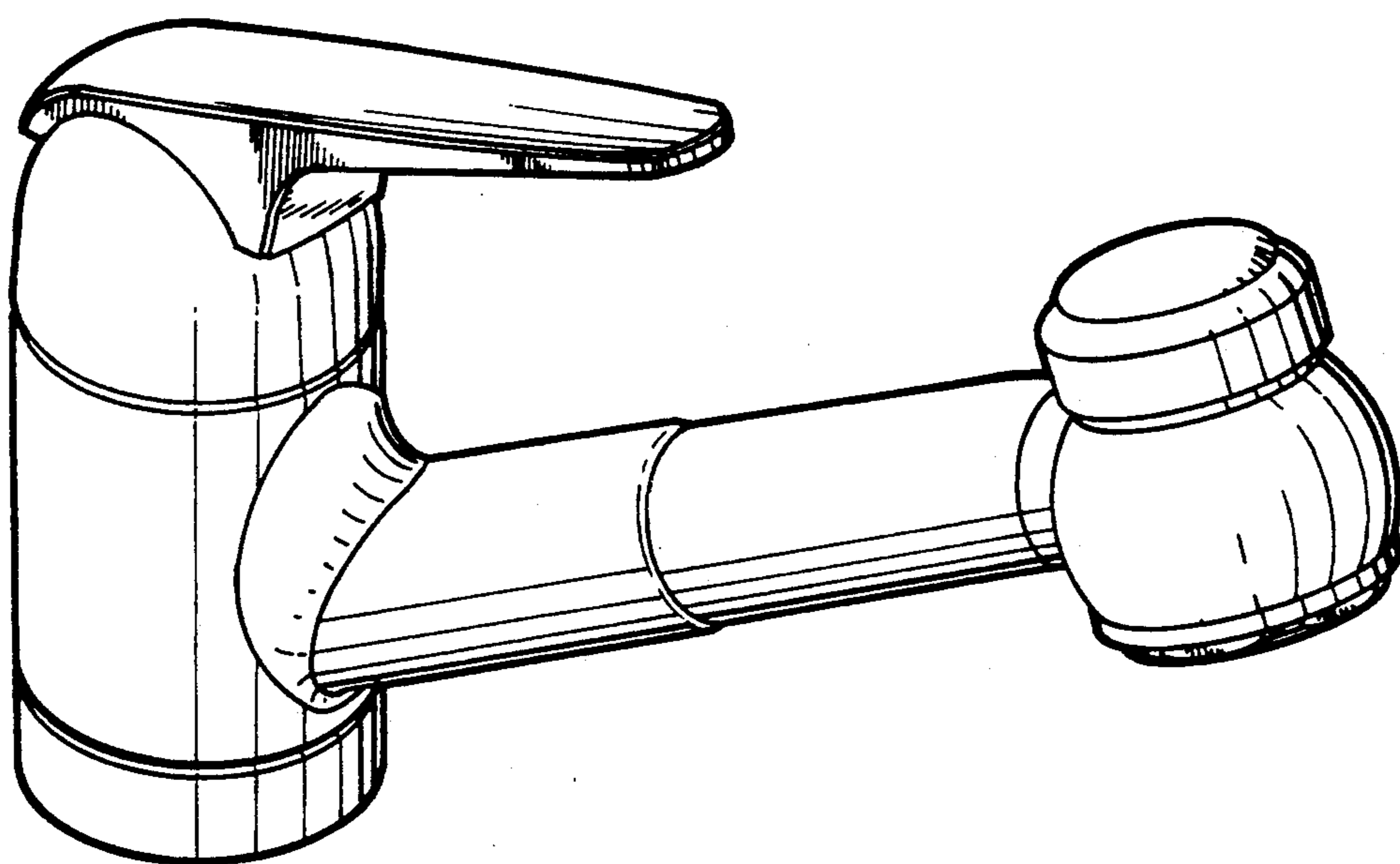


FIG. 3

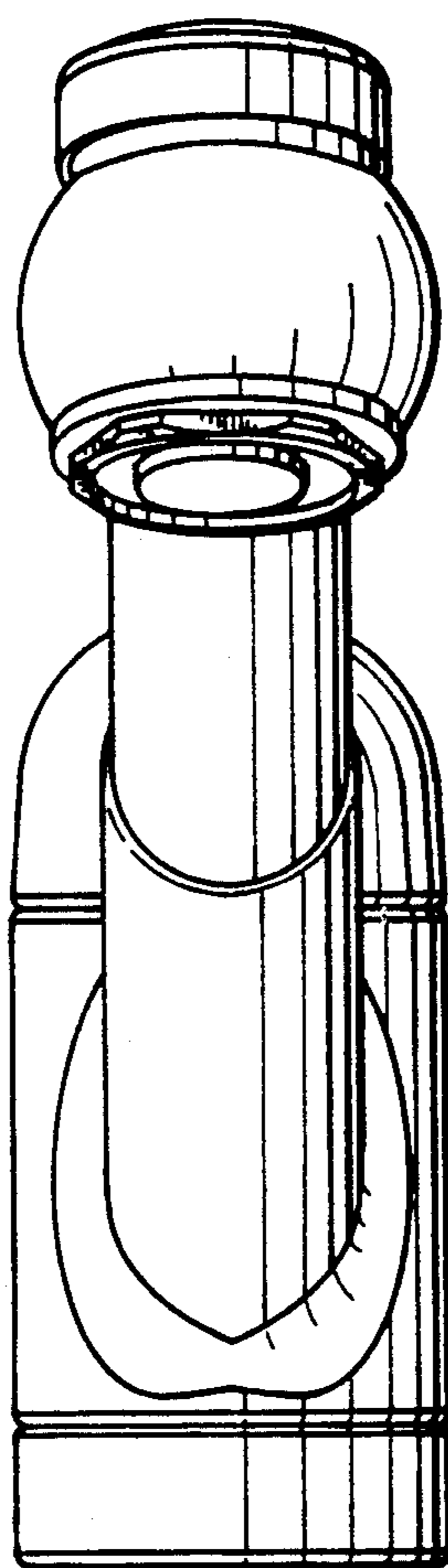


FIG. 4

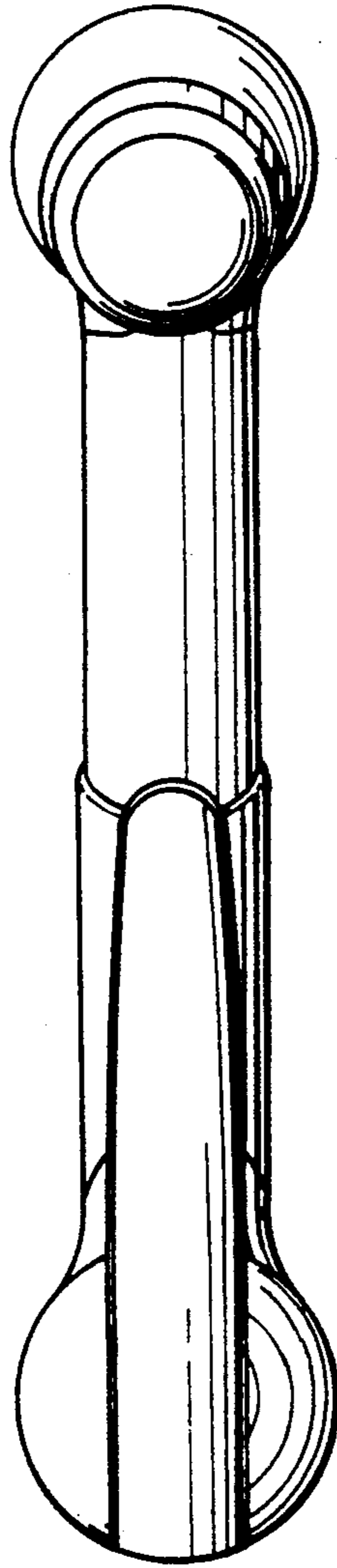


FIG.5