



US00D324904S

# United States Patent [19]

[11] Patent Number: **Des. 324,904**

Haug et al.

[45] Date of Patent: **\*\* Mar. 24, 1992**

[54] FAUCET

[75] Inventors: **Andreas Haug; Thomas Schönherr,**  
both of Stuttgart, Fed. Rep. of  
Germany

[73] Assignee: **Hans Grohe GmbH & Co. KG, Fed.**  
Rep. of Germany

[\*\*] Term: **14 Years**

[21] Appl. No.: **369,094**

[22] Filed: **Jun. 20, 1989**

[30] Foreign Application Priority Data

Jan. 3, 1989 [DE] Fed. Rep. of  
Germany ..... M8900028.5

[52] U.S. Cl. .... **D23/238**

[58] Field of Search ..... **D23/238-243,**  
**D23/250-257; 4/191, 192; 137/801**

[56] References Cited

### U.S. PATENT DOCUMENTS

D. 183,672	10/1958	Barker	.....	D23/238
D. 217,670	5/1970	Rowlands	.....	D23/238
D. 220,101	3/1971	Brown et al.	.....	D23/238
D. 227,762	7/1973	Arbon	.....	D23/238
D. 253,603	12/1979	Haug	.....	D23/238

D. 289,076	3/1987	Paul	.....	D23/238
D. 291,232	8/1987	Haug et al.	.....	D23/238
D. 291,234	8/1987	Bergmann et al.	.....	D23/238
D. 291,235	8/1987	Bergmann et al.	.....	D23/238
D. 291,590	8/1987	Bengtsson	.....	D23/238
D. 301,162	5/1989	Oberdorfer	.....	D23/238
D. 309,655	7/1990	Reinecke	.....	D23/238

### OTHER PUBLICATIONS

Domestic Engineering, Feb. 1987, p. 55.

*Primary Examiner*—James R. Largen

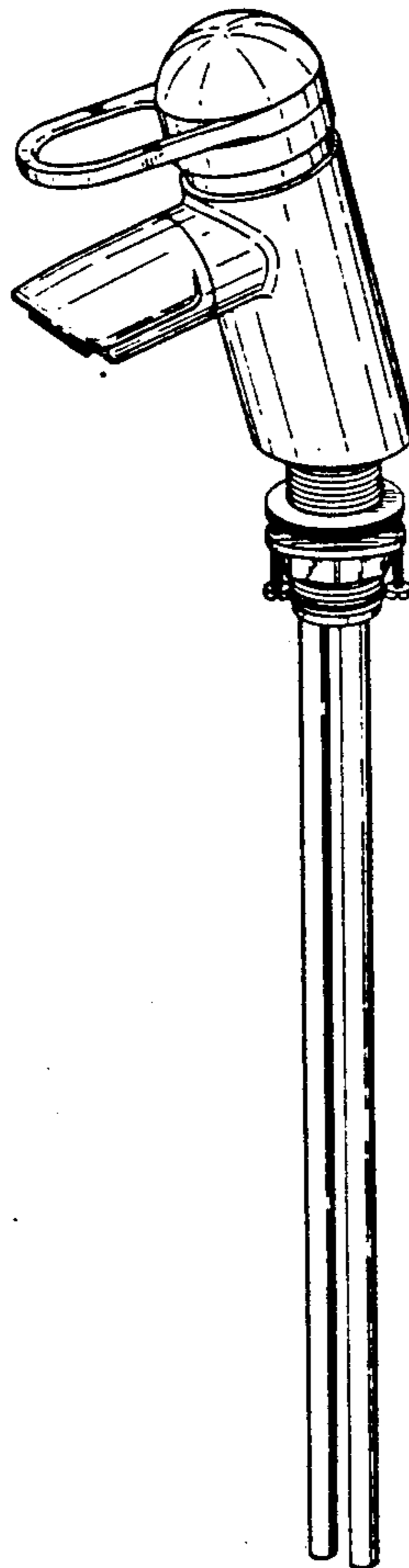
*Attorney, Agent, or Firm*—Eckert Seamans Cherin &  
Mellott

### [57] CLAIM

The ornamental design for a grip for faucet, as shown or  
described.

### DESCRIPTION

FIG. 1 is a perspective view taken from the top, front  
and right side of a faucet showing my new design;  
FIG. 2 is a left side elevational view thereof;  
FIG. 3 is a front elevational view thereof;  
FIG. 4 is a right side elevational view thereof;  
FIG. 5 is a rear elevational view thereof;  
FIG. 6 is a top plan view thereof; and,  
FIG. 7 is a bottom plan view thereof.



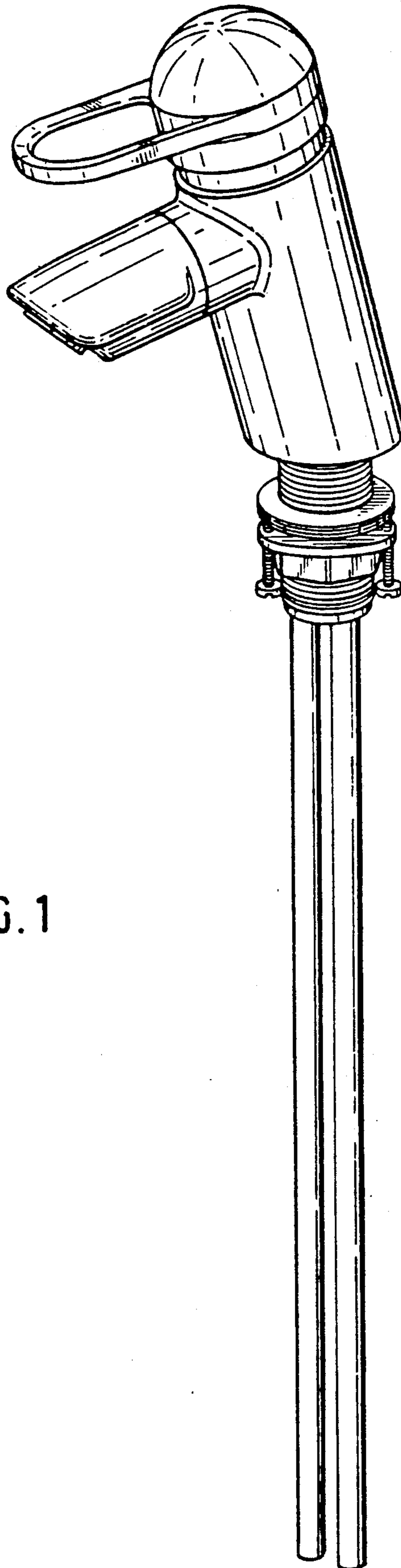
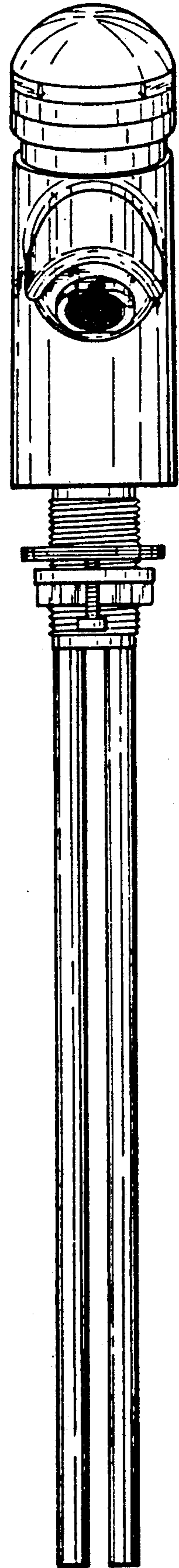
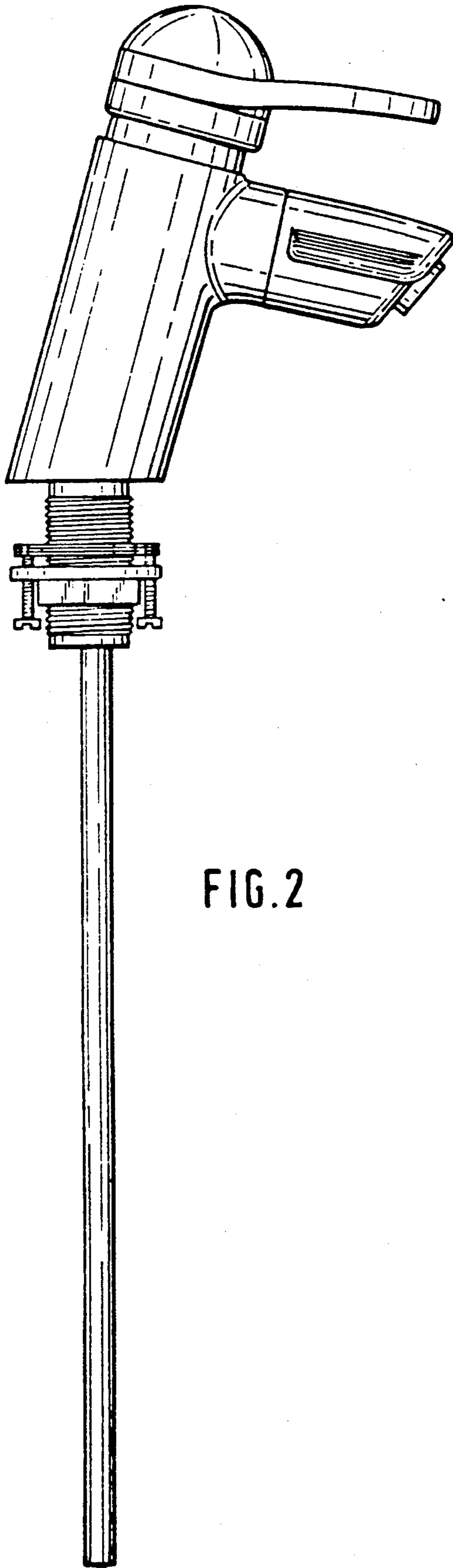


FIG. 1



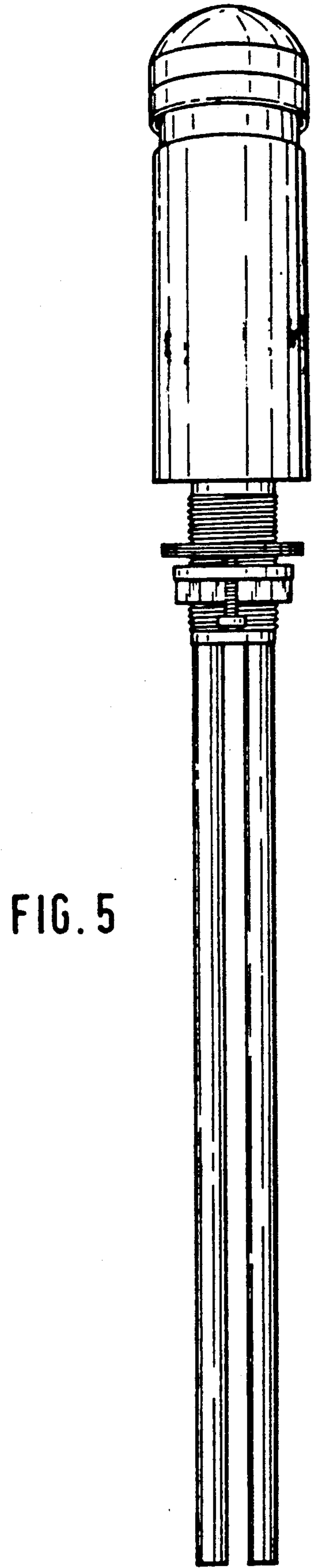
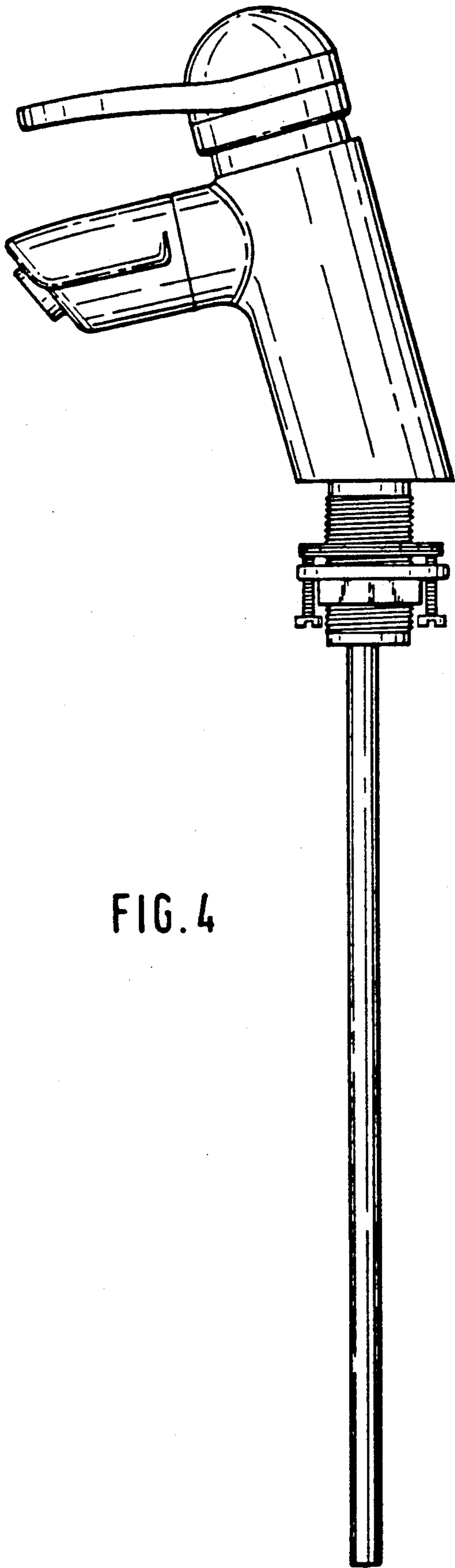


FIG. 6

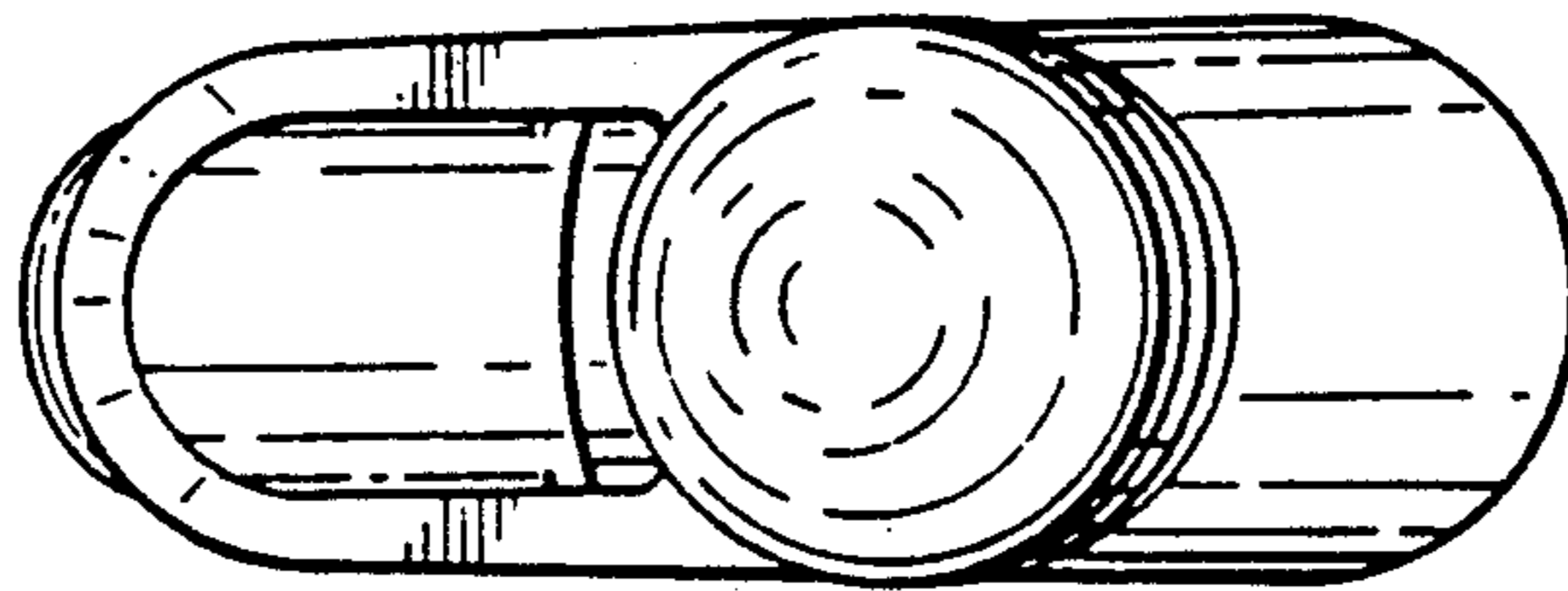


FIG. 7

