



US00D324903S

# United States Patent [19]

[11] Patent Number: **Des. 324,903**

Sauter et al.

[45] Date of Patent: **\*\* Mar. 24, 1992**

[54] SINK

[75] Inventors: **Bruce M. Sauter, Schaumburg, Ill.;  
Raymond A. Dickson, Jr., Searcy,  
Ark.**

[73] Assignee: **Kohler Co., Kohler, Wis.**

[\*\*] Term: **14 Years**

[21] Appl. No.: **502,136**

[22] Filed: **Mar. 29, 1990**

[52] U.S. Cl. .... **D23/287; D23/290**

[58] Field of Search ..... **D23/270-274,  
D23/284-294, 308; 4/619, 625, 630-659**

[56] **References Cited**  
**PUBLICATIONS**

Domestic Engineering, Jan. 1983, p. 26, top right item.  
Domestic Engineering, Mar. 1986, p. 76, top left item.  
Ad for the La Culinaire sink from Vance dated Mar. 21, 1988.  
Page 33 from an undated Elkay ad for the Model "IL-R-4822-L" sink.  
Two pages from an undated Jacob Delafon catalog showing the Model 741 sink.  
Two pages from an undated Jacob Delafon catalog showing the Model No. 812 sink.

Two pages from an undated Jacob Delafon catalog showing the Model No. 5705 sink.

Two Pages from an undated Franke catalog showing the Model CP621 sink.

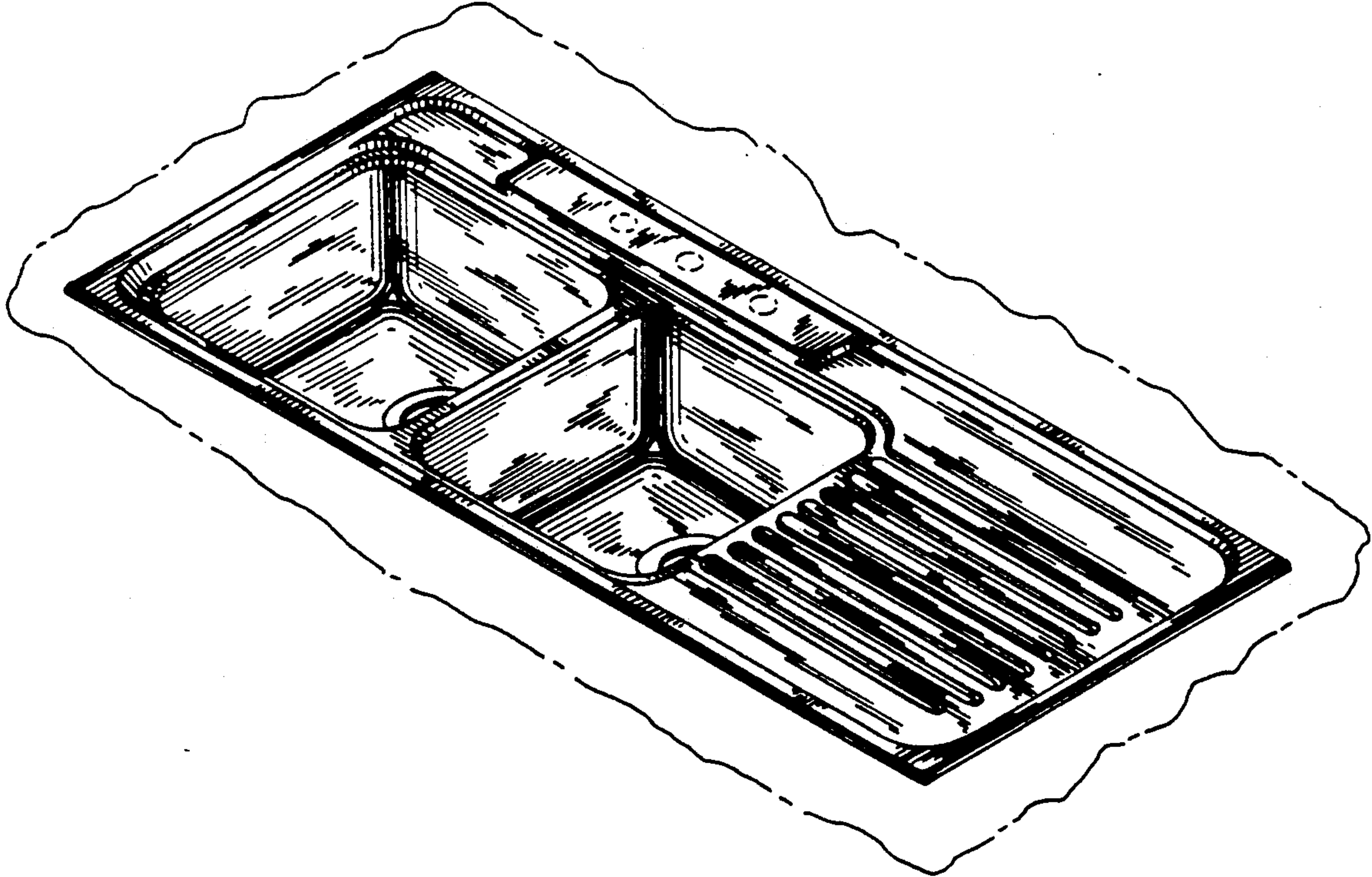
*Primary Examiner—James R. Largen  
Attorney, Agent, or Firm—Quarles & Brady*

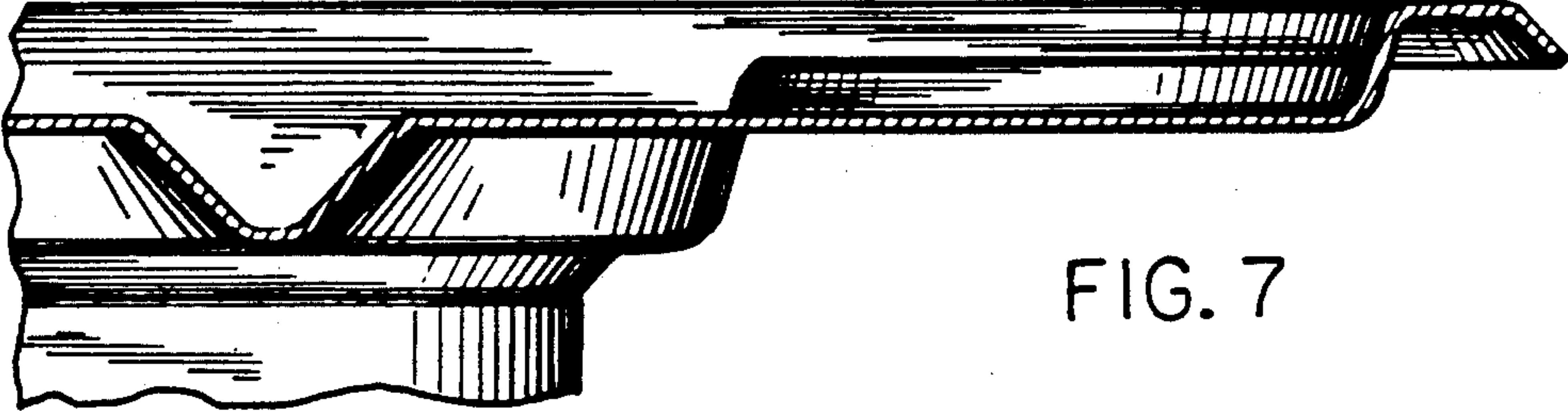
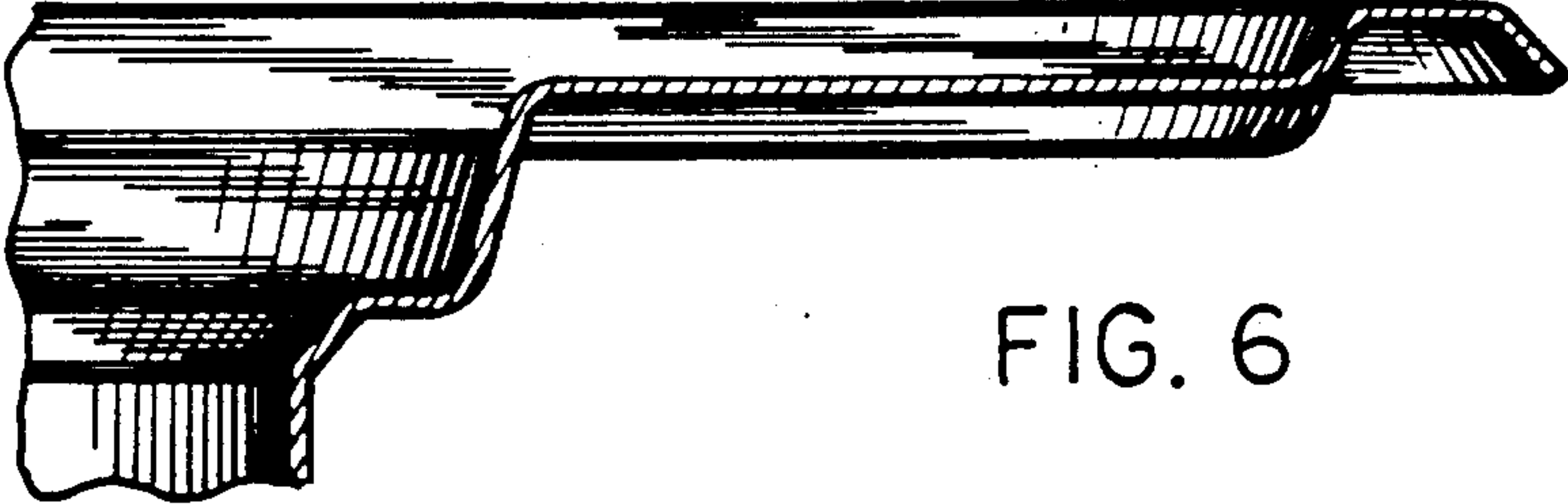
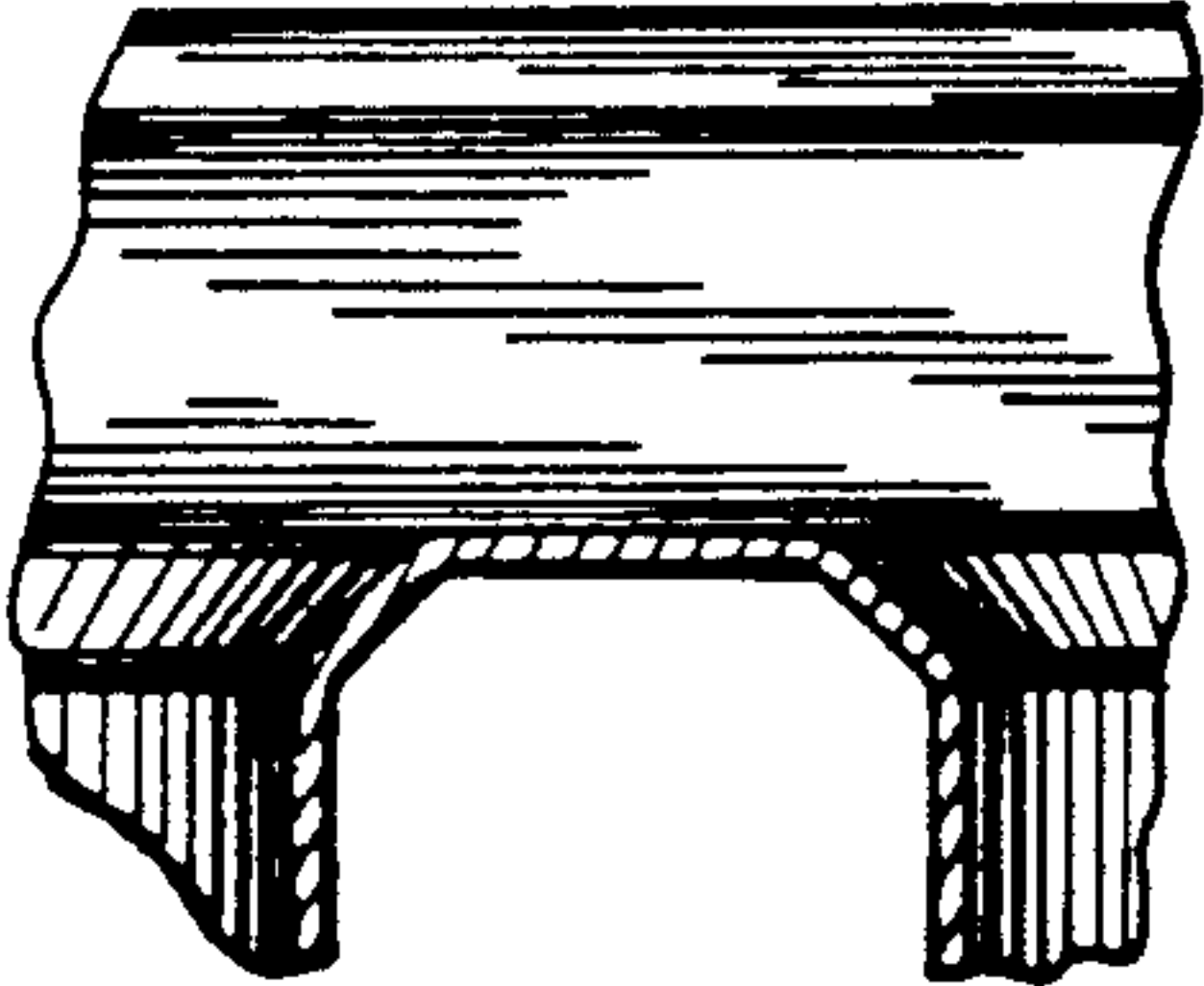
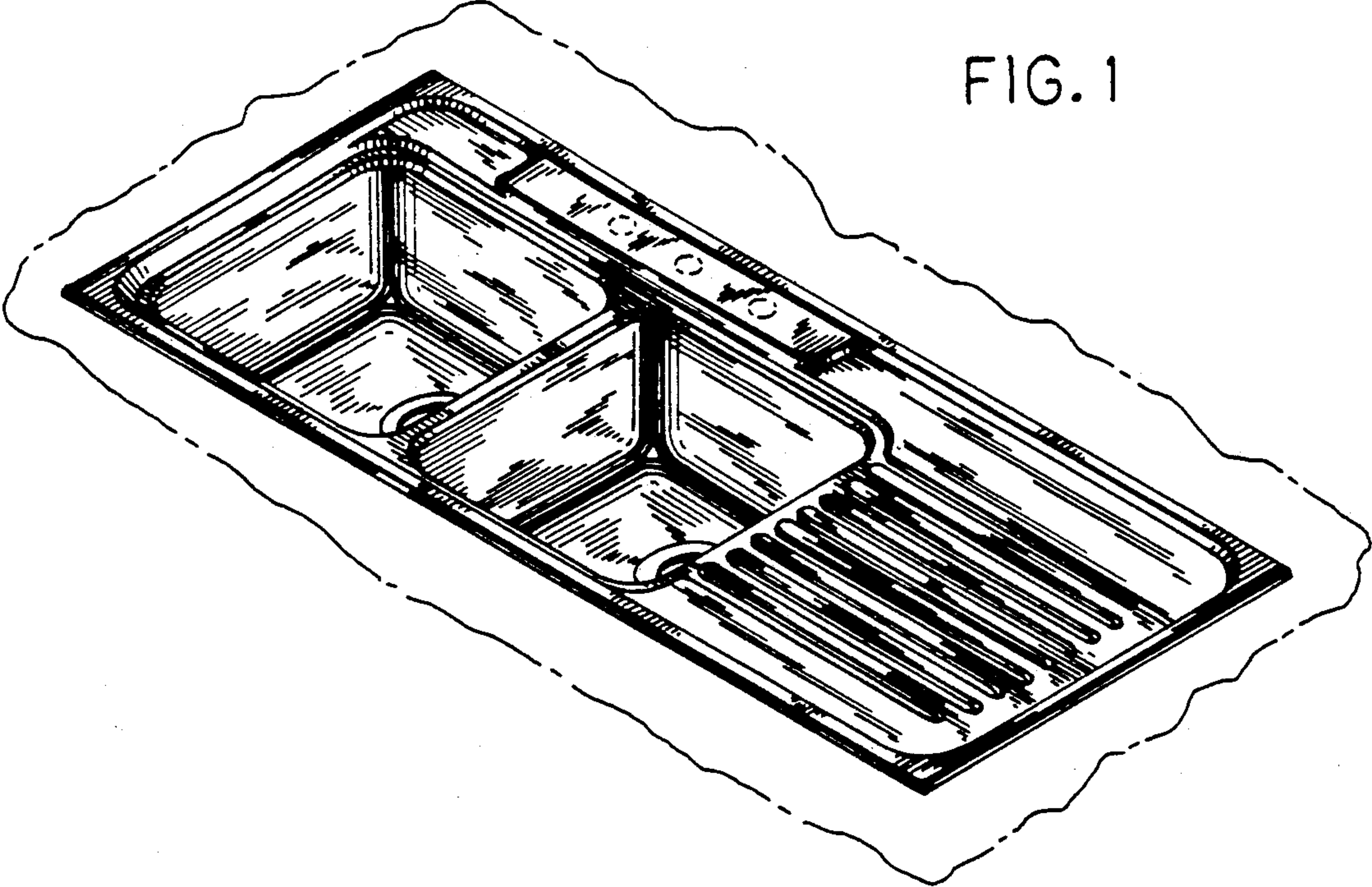
[57] **CLAIM**

The ornamental design for a sink, as shown and described.

**DESCRIPTION**

FIG. 1 is a perspective view taken from the top, front and right side of a sink showing our new design;  
FIG. 2 is a top plan view thereof;  
FIG. 3 is a cross-sectional view taken on line 3—3 of FIG. 2;  
FIG. 4 is a cross-sectional view taken on line 4—4 of FIG. 2;  
FIG. 5 is an enlarged fragmentary cross-sectional view taken on line 5—5 of FIG. 2;  
FIG. 6 is an enlarged fragmentary cross-sectional view taken on line 6—6 of FIG. 2; and,  
FIG. 7 is an enlarged fragmentary cross-sectional view taken on line 7—7 of FIG. 2.  
The broken line representation of holes and the fragmentary broken line representation of a counter top of FIG. 1 are for purposes of illustration only and form no part of the claimed design.







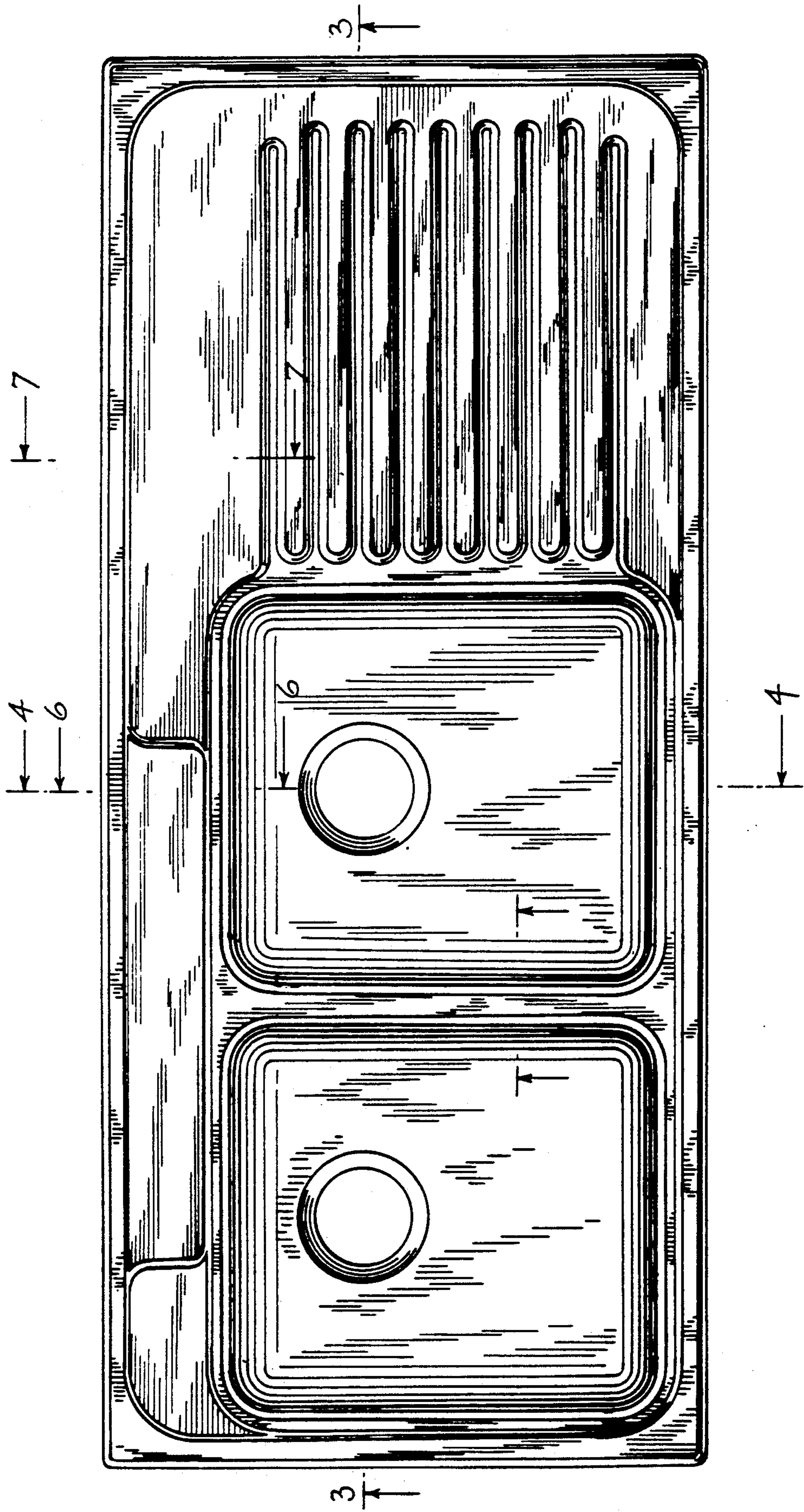


FIG. 2

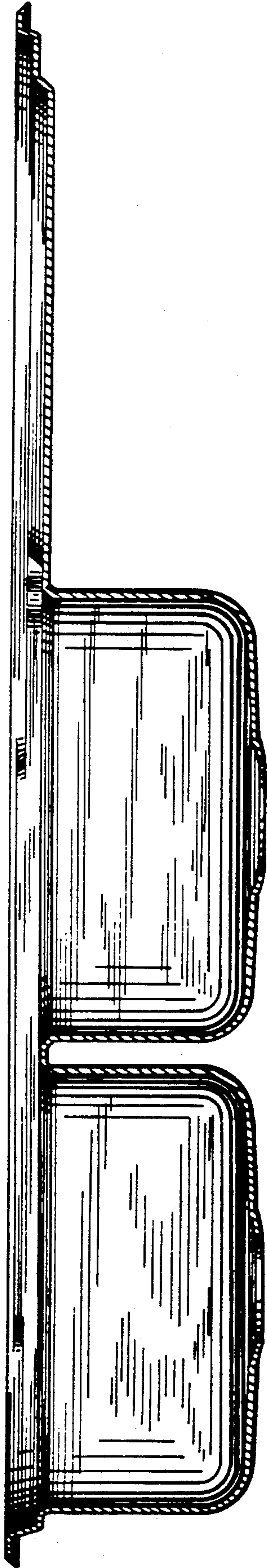


FIG. 3

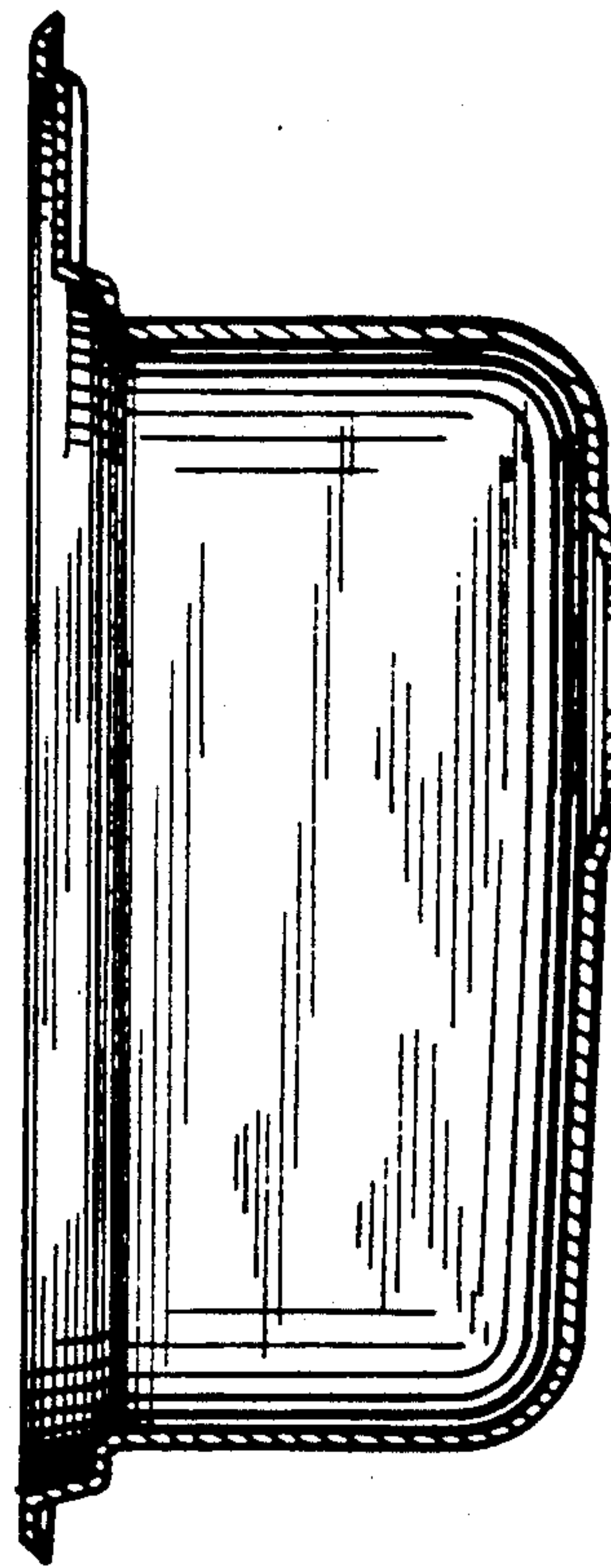


FIG. 4