



US00D324902S

United States Patent [19]

[11] Patent Number: **Des. 324,902**

Kohler, Jr. et al.

[45] Date of Patent: **** Mar. 24, 1992**

[54] **COMBINED SINK AND COLANDER**

4,456,021 6/1984 Leavens 134/85

[75] Inventors: **Herbert V. Kohler, Jr., Kohler; Todd D. Dannenberg, Sheboygan, both of Wis.; Bruce M. Sauter, Schaumburg, Ill.**

[73] Assignee: **Sterling Plumbing Group, Inc., Schaumburg, Ill.**

[**] Term: **14 Years**

[21] Appl. No.: **300,622**

[22] Filed: **Jan. 19, 1989**

[52] U.S. Cl. **D23/271; D23/290; D7/667; D32/55**

[58] Field of Search **D23/284-294, D23/308; 134/115; 312/228; 209/12; 210/415, 449, 473, 481; 4/189, 553, 619-656; D32/55; D9/426, 427; D7/505, 698, 667**

[56] **References Cited**

U.S. PATENT DOCUMENTS

D. 114,645	5/1939	Morgan	D23/287
D. 234,464	3/1975	Stairs	D23/290
D. 244,827	6/1977	Nevai	D32/55
D. 259,166	5/1981	Krusche	D7/667
2,194,343	3/1940	Wexler	4/637
2,334,293	11/1943	Stein	4/642
2,447,788	8/1948	Ball	D23/287 X
2,498,502	2/1950	O'brien	4/640 X
3,427,664	2/1969	Mustee	4/640
3,742,965	7/1973	Hudziak	134/92

OTHER PUBLICATIONS

Pages 20 and 9 of a Just catalog, undated, showing "The Stylist Group A" and Ballerina Group sinks.

Page 4 of a Polar catalog, undated, showing various "Classic Series" sinks.

Primary Examiner—James R. Largen
Attorney, Agent, or Firm—Quarles & Brady

[57] **CLAIM**

The ornamental design for a combined sink and colander, as shown and described.

DESCRIPTION

FIG. 1 is a perspective view taken from the top, front and left side of combined sink and colander showing our new design;

FIG. 2 is a top plan view thereof;

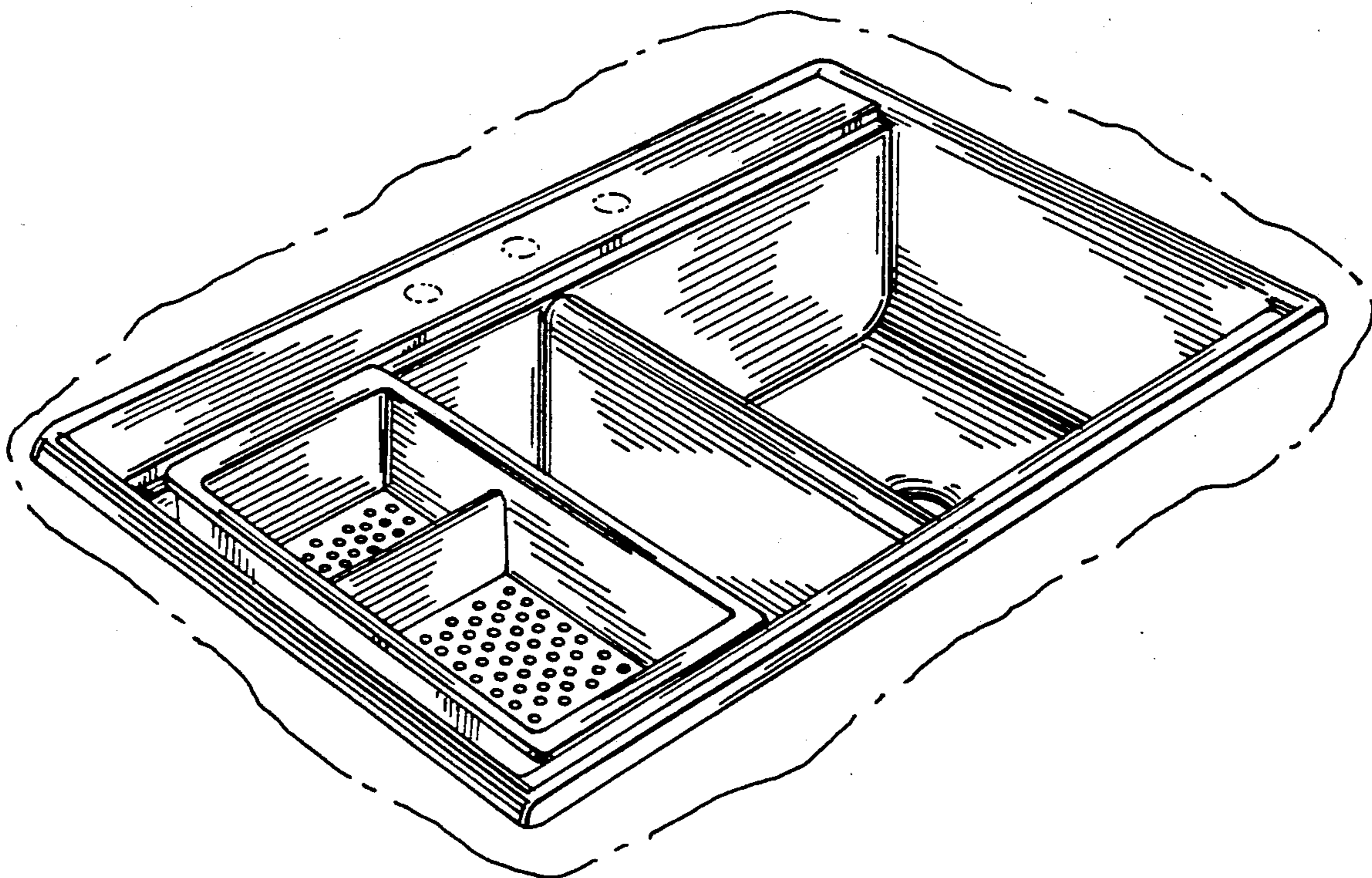
FIG. 3 is a cross-sectional view taken on line 3—3 of FIG. 2;

FIG. 4 is a cross-sectional view taken on line 4—4 of FIG. 2;

FIG. 5 is an enlarged cross-sectional view taken on line 5—5 of FIG. 2; and,

FIG. 6 is another perspective view taken from the top, front and left side thereof showing the colander in the other basin.

The fragmentary broken line representation of a countertop in FIGS. 1 and 6, and the broken line representation of holes in FIGS. 1 and 6 are for the purpose of illustration only and form no part of the claimed design.



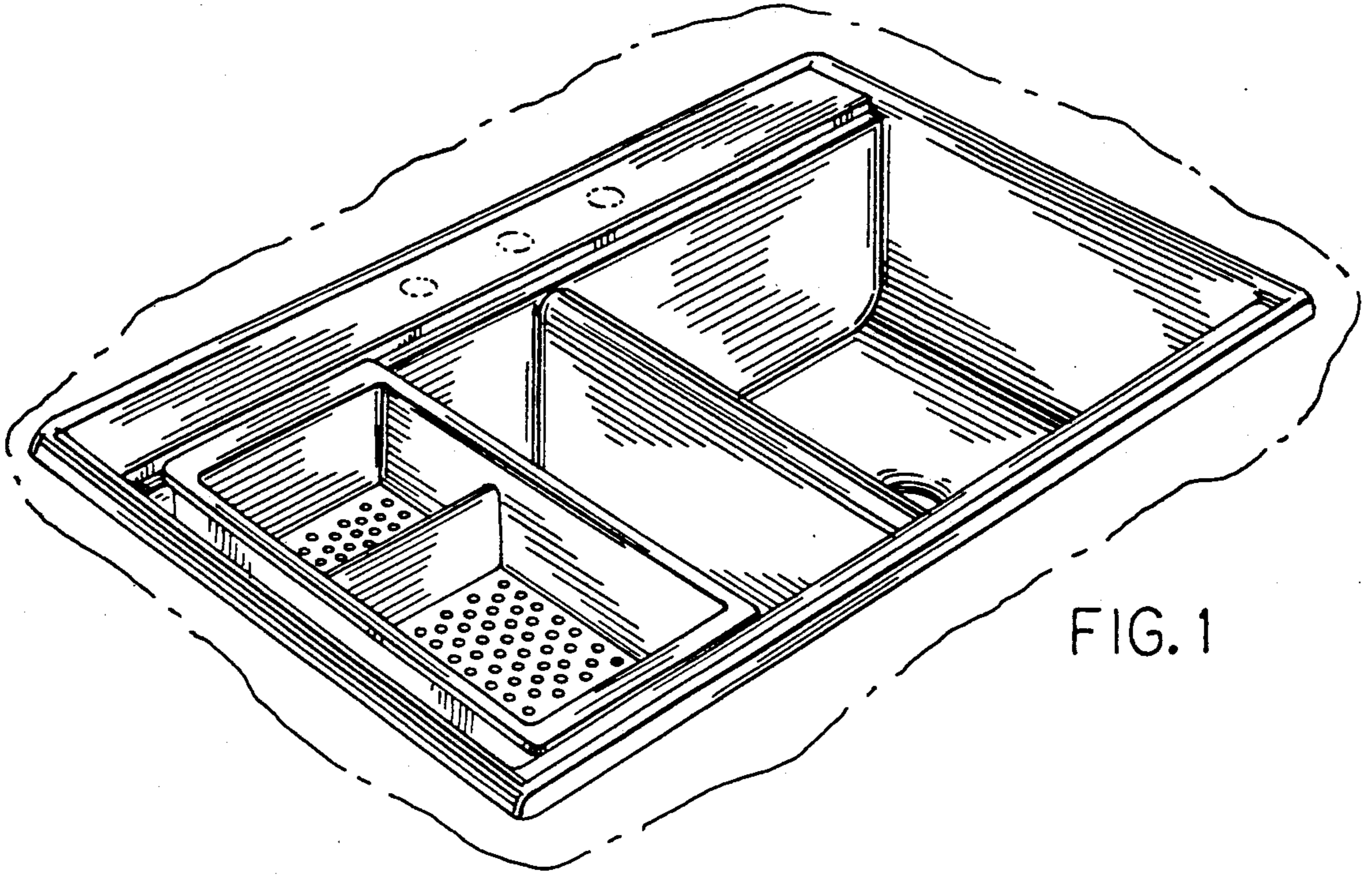


FIG. 1

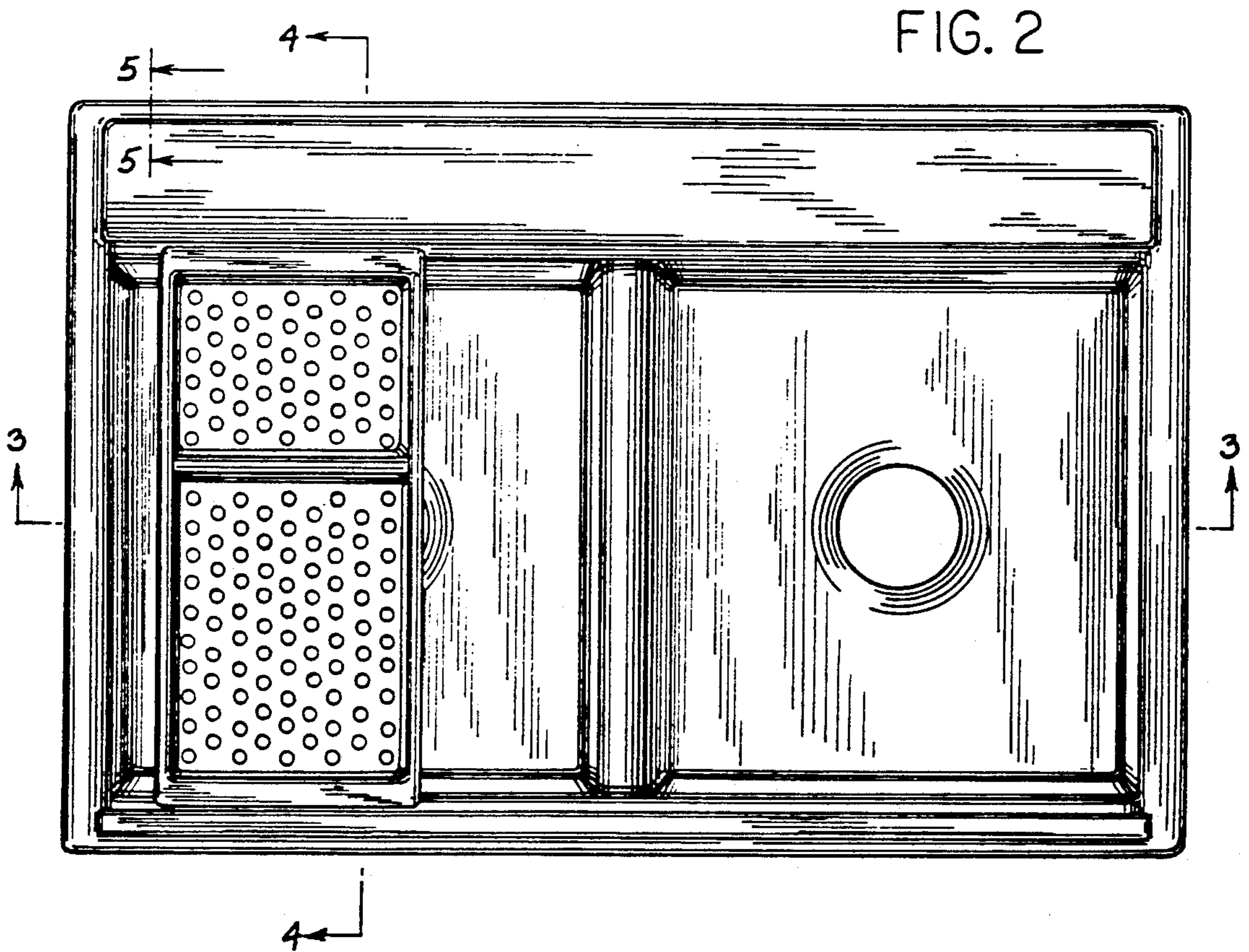


FIG. 2

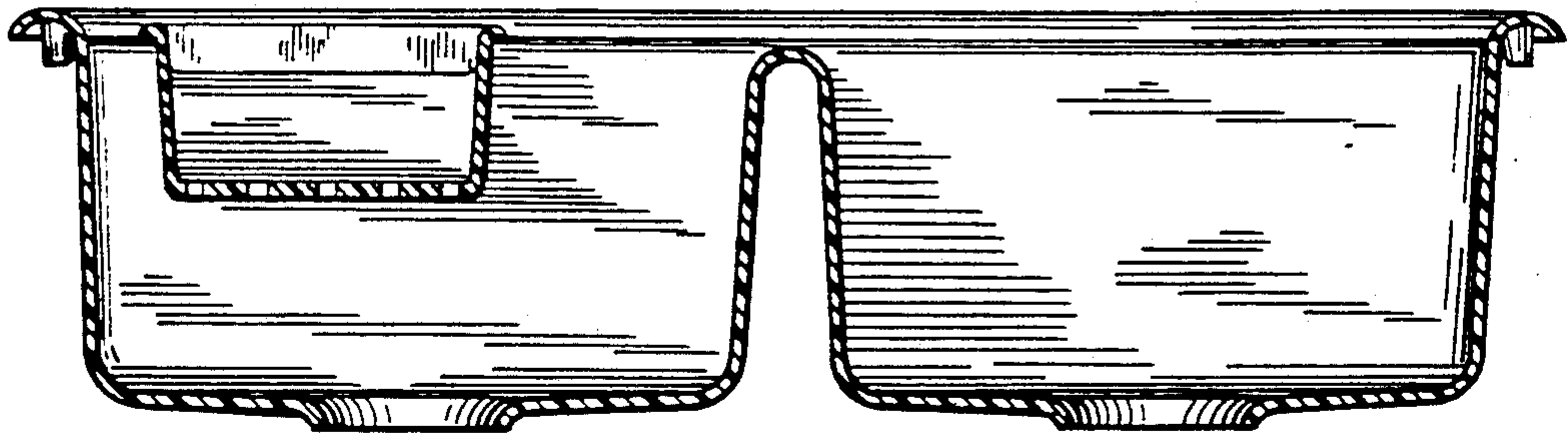


FIG. 3

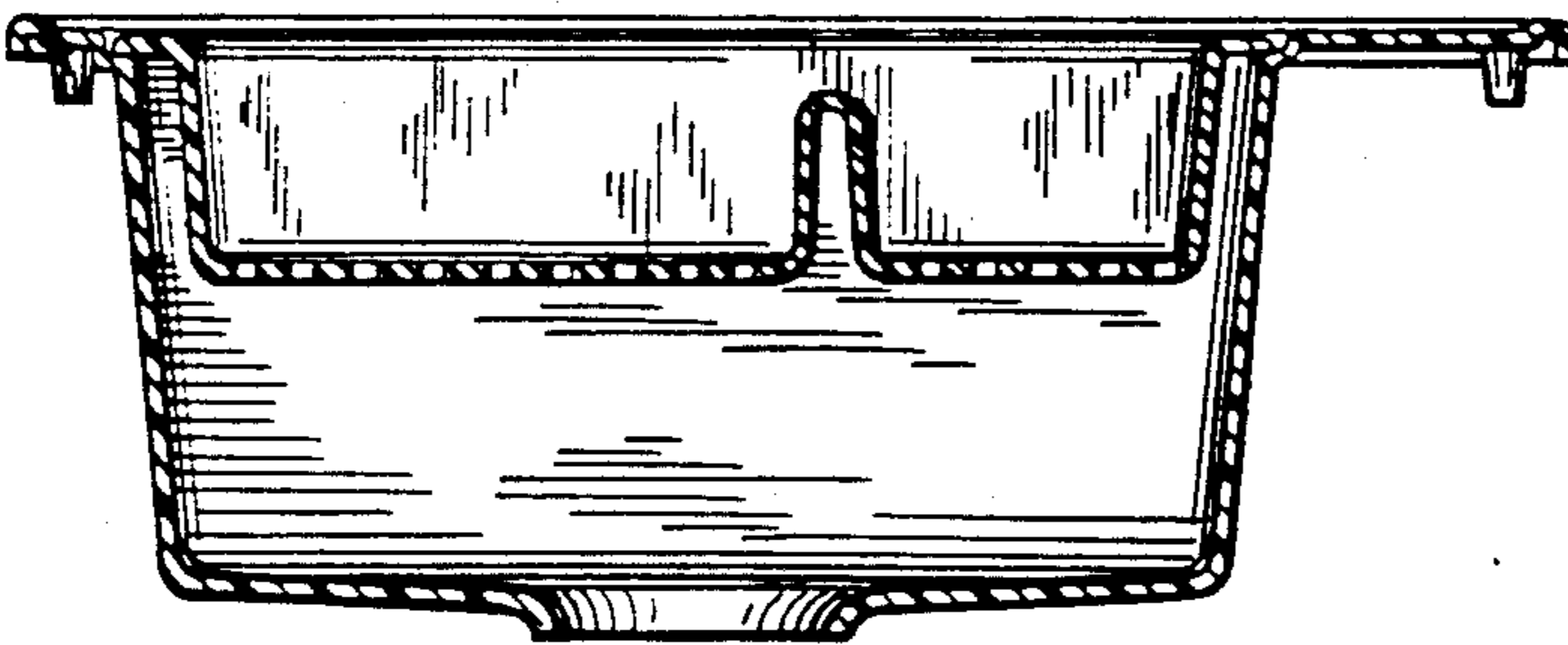


FIG. 4

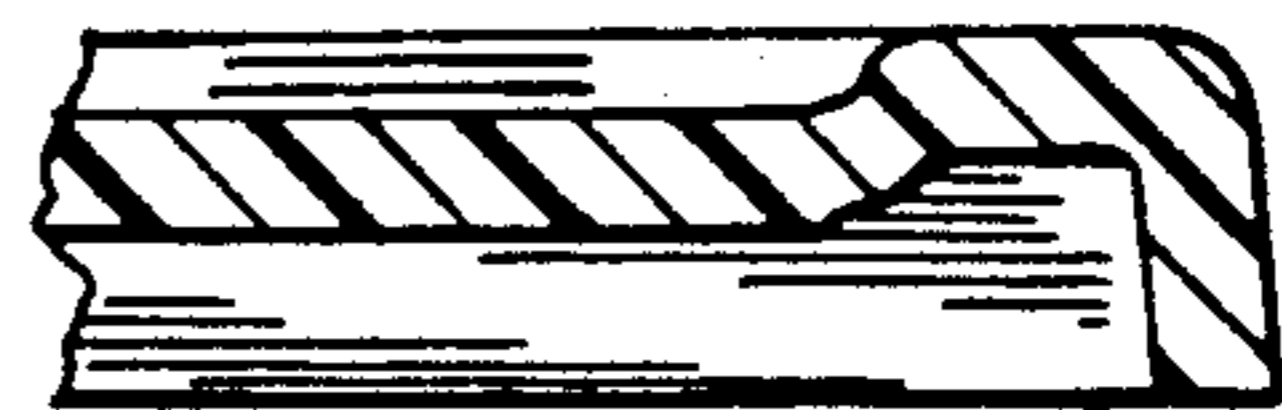


FIG. 5

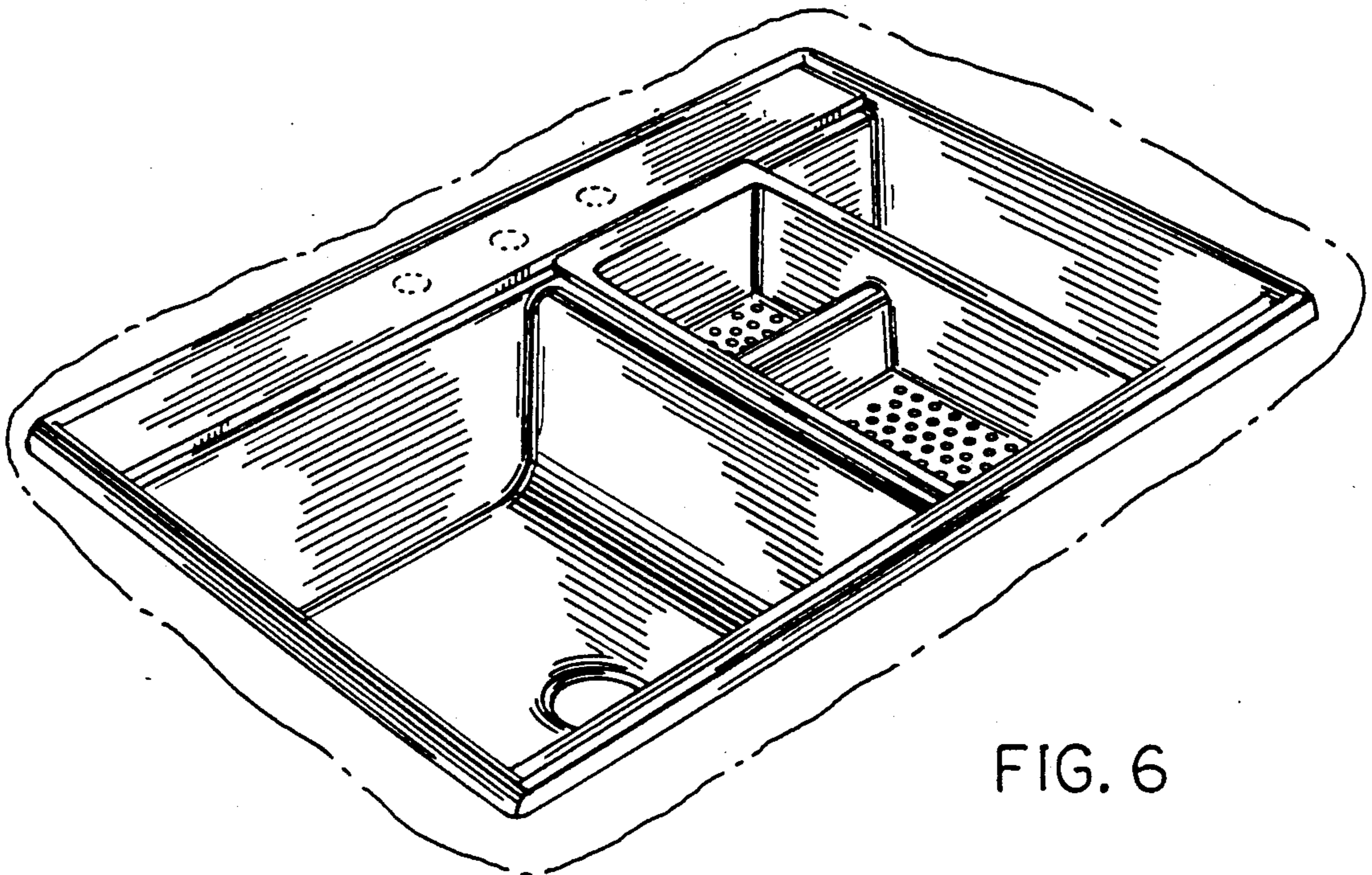


FIG. 6