



US00D324899S

United States Patent [19]

[11] Patent Number: **Des. 324,899**

Thompson

[45] Date of Patent: **** Mar. 24, 1992**

[54] **SPORT KNIFE**

[76] Inventor: **Lynn C. Thompson**, 987 Sand Piper Ct., Ventura, Calif. 93001

[**] Term: **14 Years**

[21] Appl. No.: **441,411**

[22] Filed: **Nov. 27, 1989**

[52] U.S. Cl. **D22/118**

[58] Field of Search **D22/118; 30/142, 340, 30/342, 272.1, 296.1, 344; D6/649; D8/DIG. 4, DIG. 8**

[56] **References Cited**

U.S. PATENT DOCUMENTS

997,683 7/1911 Lutz, Jr. 42/71.02 X

FOREIGN PATENT DOCUMENTS

11124 9/1956 Fed. Rep. of Germany 30/340

OTHER PUBLICATIONS

Guns and Ammo Knives, 1974, p. 86, knife, item A at bottom of page.

U.S. Calvary, Aug. 1987, p. 21, knife, item K at bottom of page.

Primary Examiner—Wallace R. Burke
Assistant Examiner—H. Baynham

[57] **CLAIM**

The ornamental design for sport knife, as shown and described.

DESCRIPTION

FIG. 1 is a front elevational view of a sport knife showing my new design;

FIG. 2 is a side elevational view thereof with the opposite view being a mirror image thereof;

FIG. 3 is a rear elevational view thereof;

FIG. 4 is a top plan view thereof;

FIG. 5 is a bottom plan view thereof;

FIG. 6 is an enlarged sectional view taken through line 6—6 of FIG. 2;

FIG. 7 is an enlarged sectional view taken through line 7—7 of FIG. 2;

FIG. 8 is a side elevational view of a second embodiment of the design shown in FIG. 2;

FIG. 9 is a front elevational view thereof;

FIG. 10 is an enlarged sectional view taken through line 10—10 of FIG. 8;

FIG. 11 is an enlarged sectional view taken through line 11—11 of FIG. 8; and,

FIG. 12 is an enlarged bottom perspective view thereof.

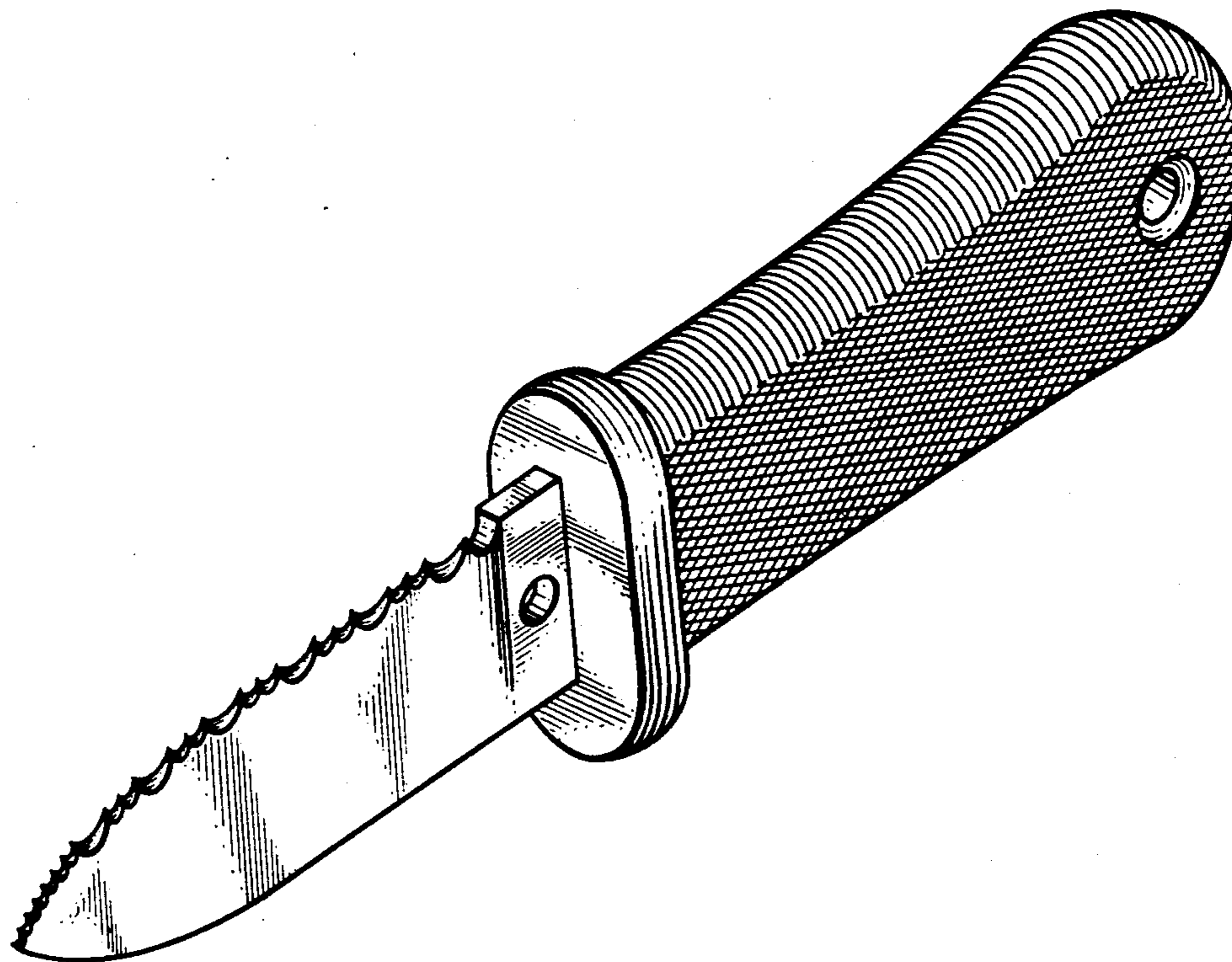




Fig. 1.



Fig. 3.

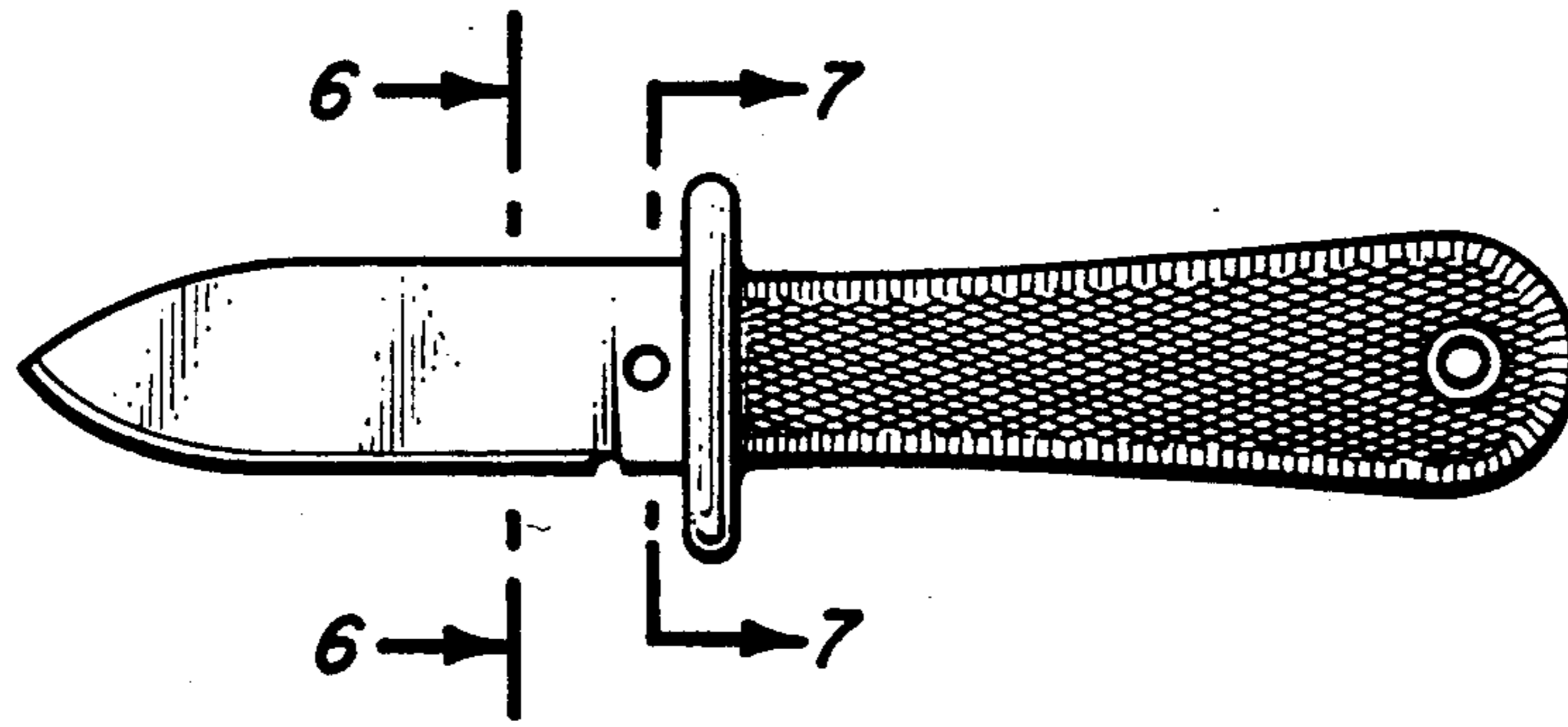


Fig. 2.

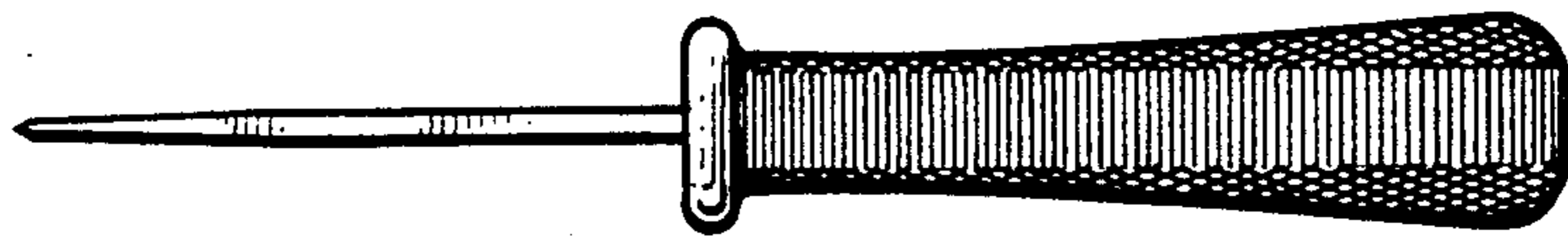


Fig. 4.

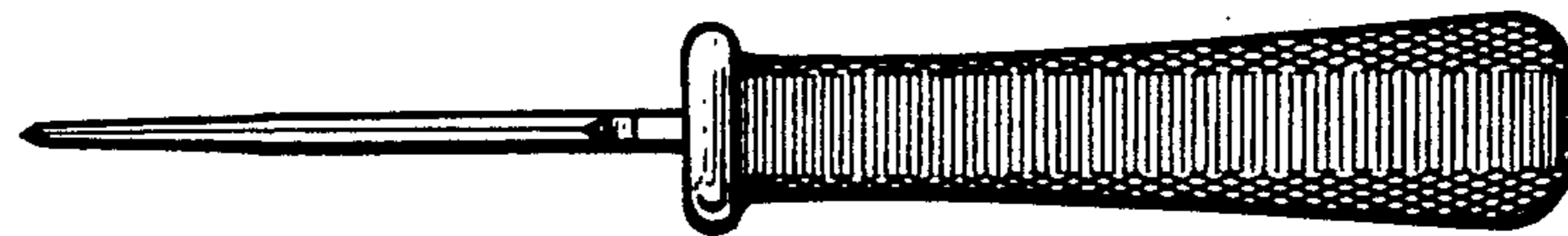


Fig. 5.

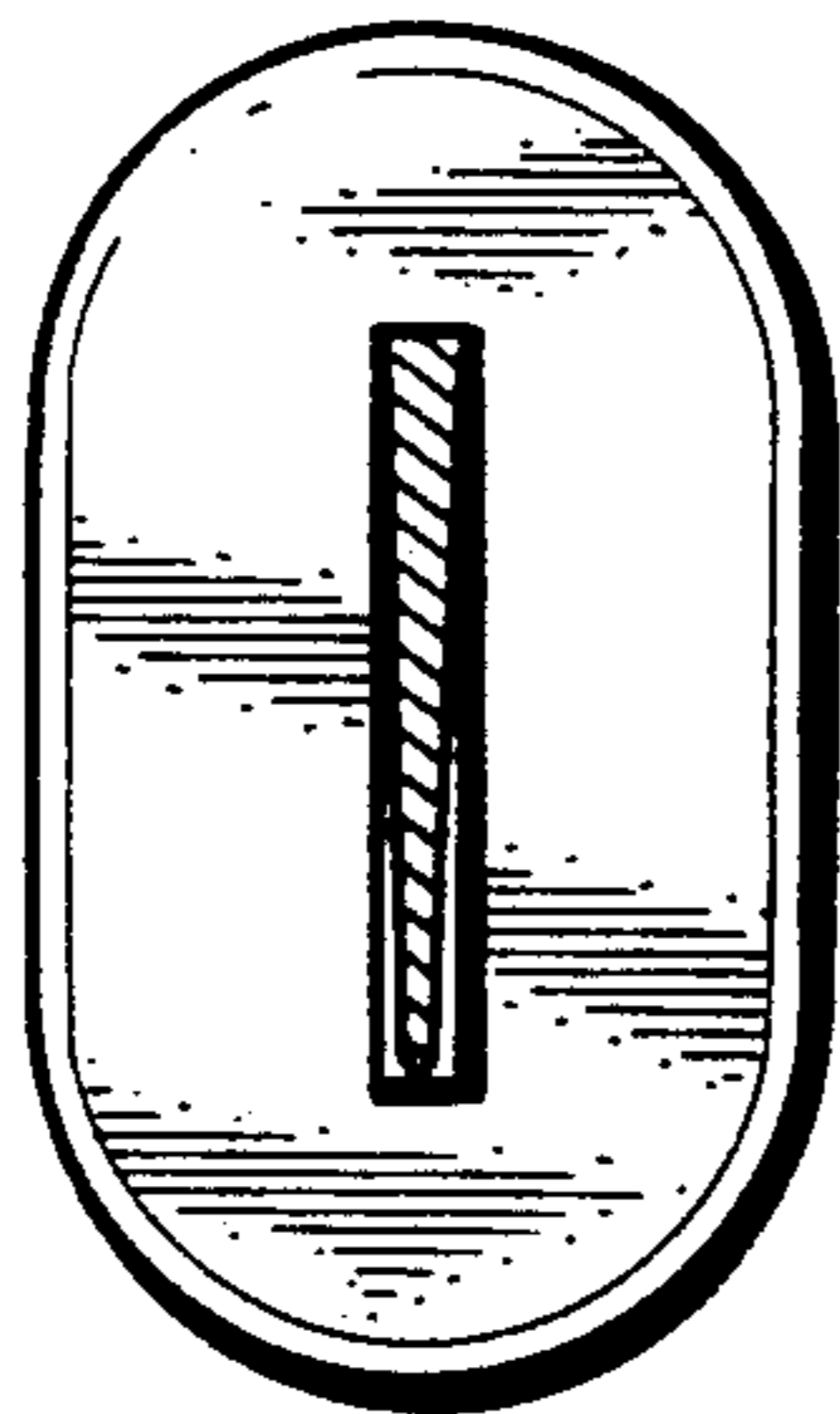


Fig. 6.

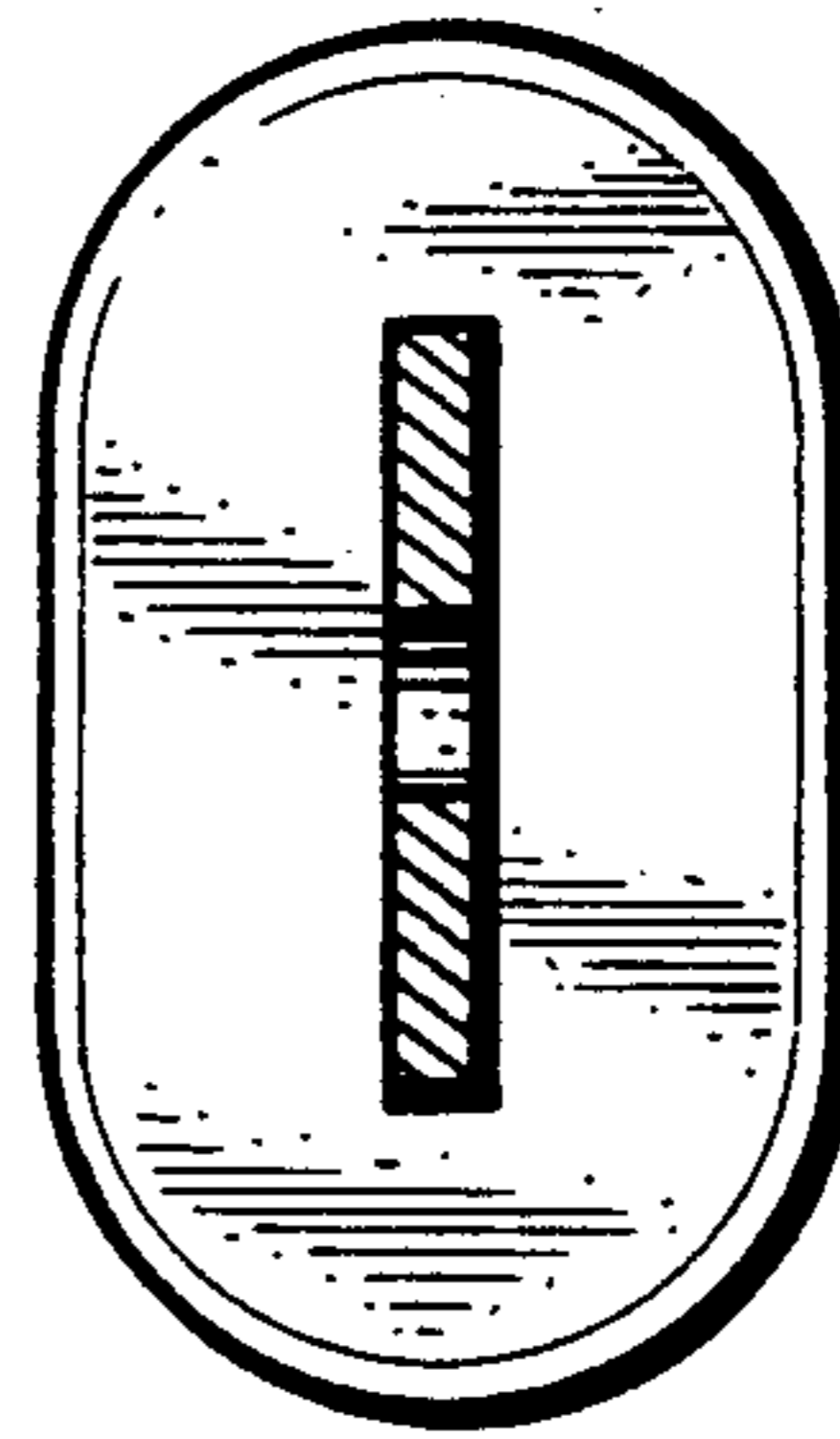


Fig. 7.

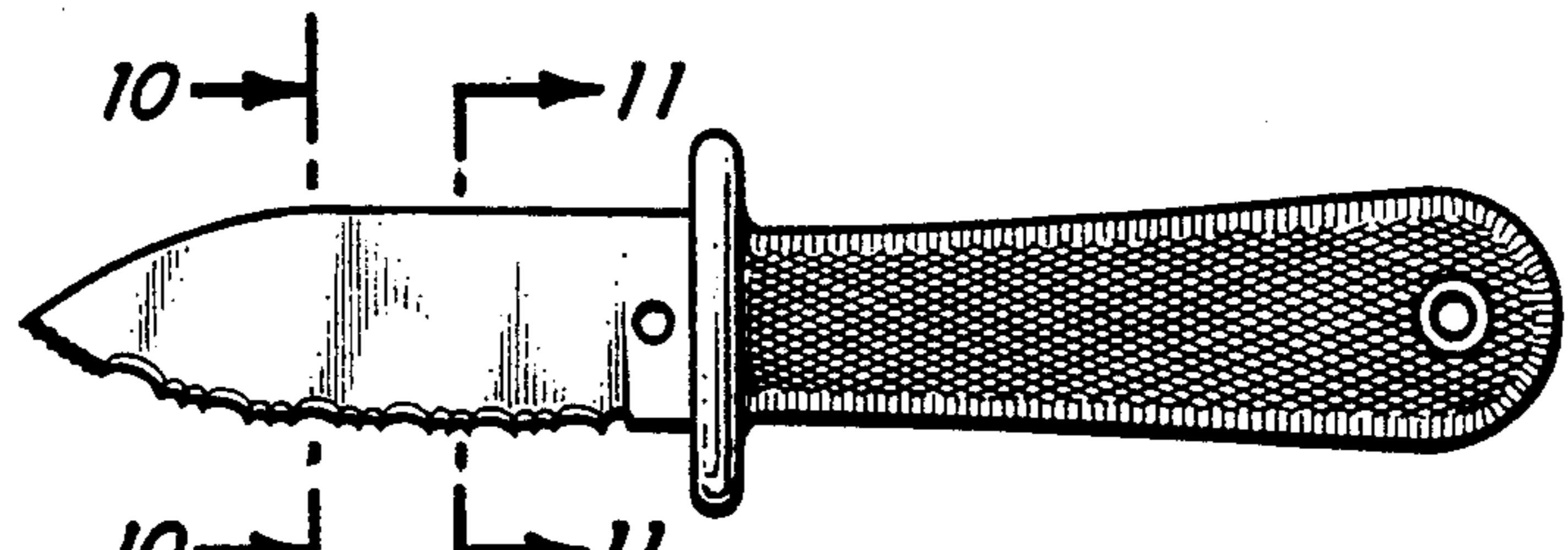


Fig. 8.

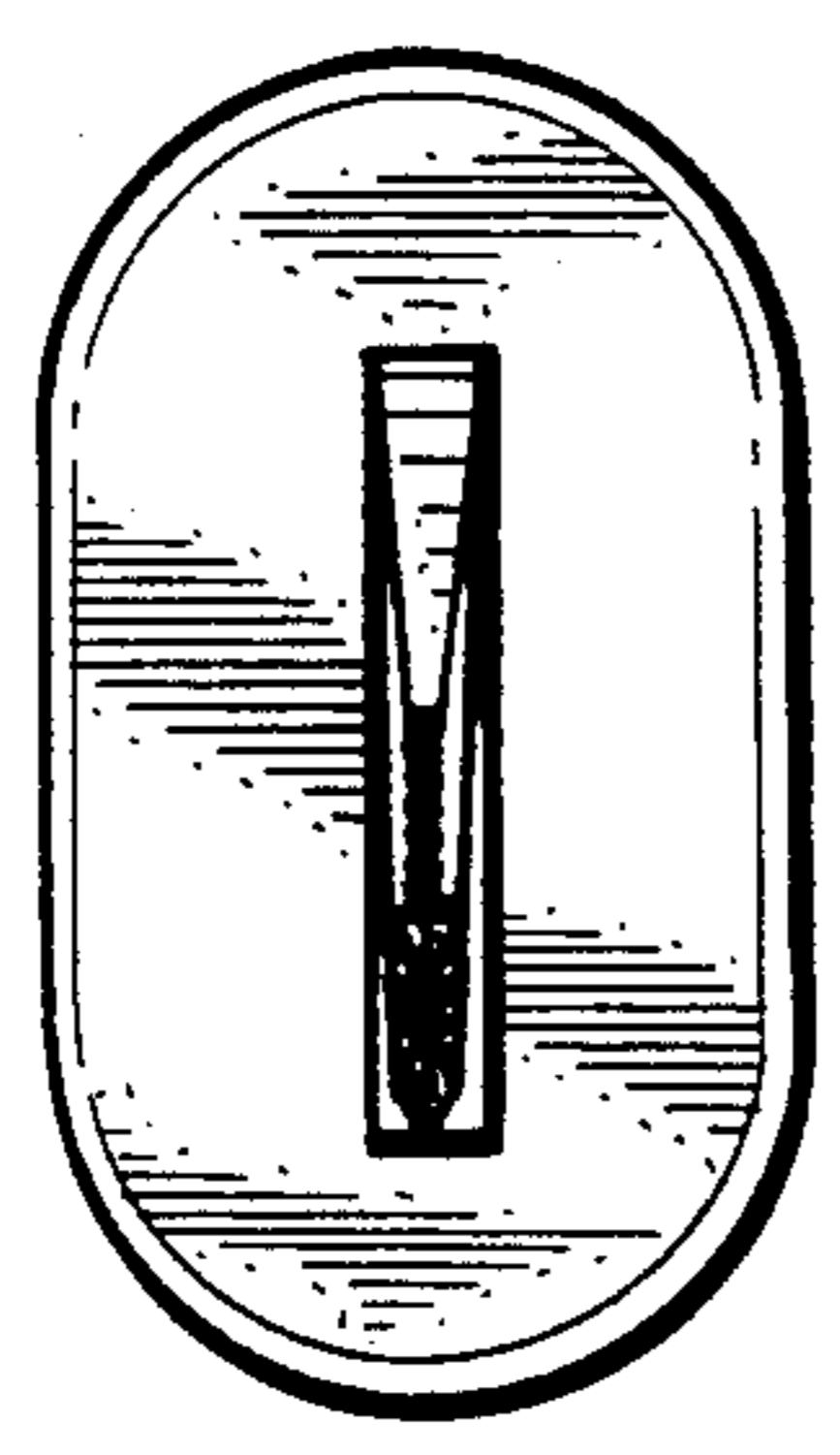


Fig. 9.

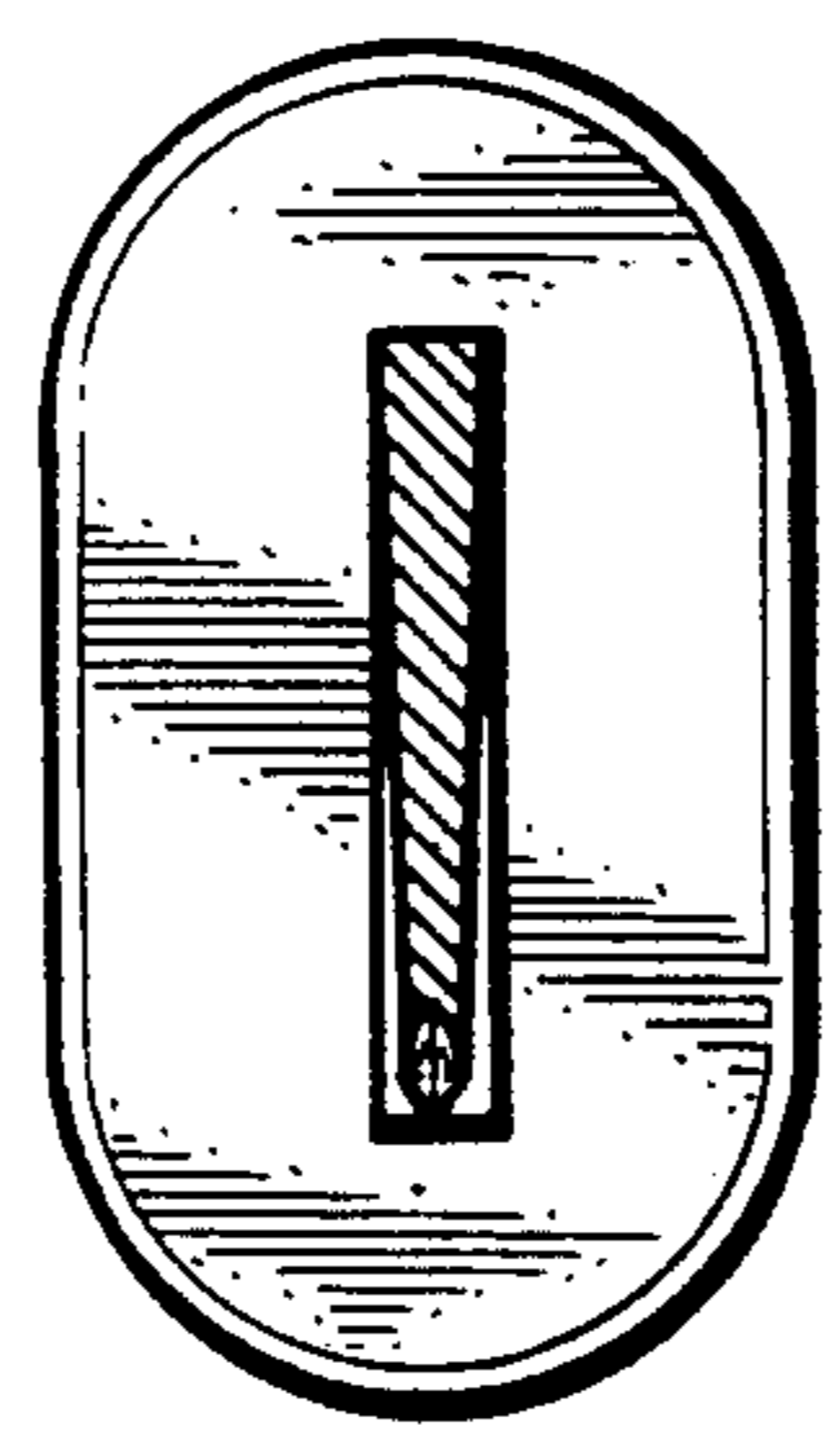


Fig. 10.

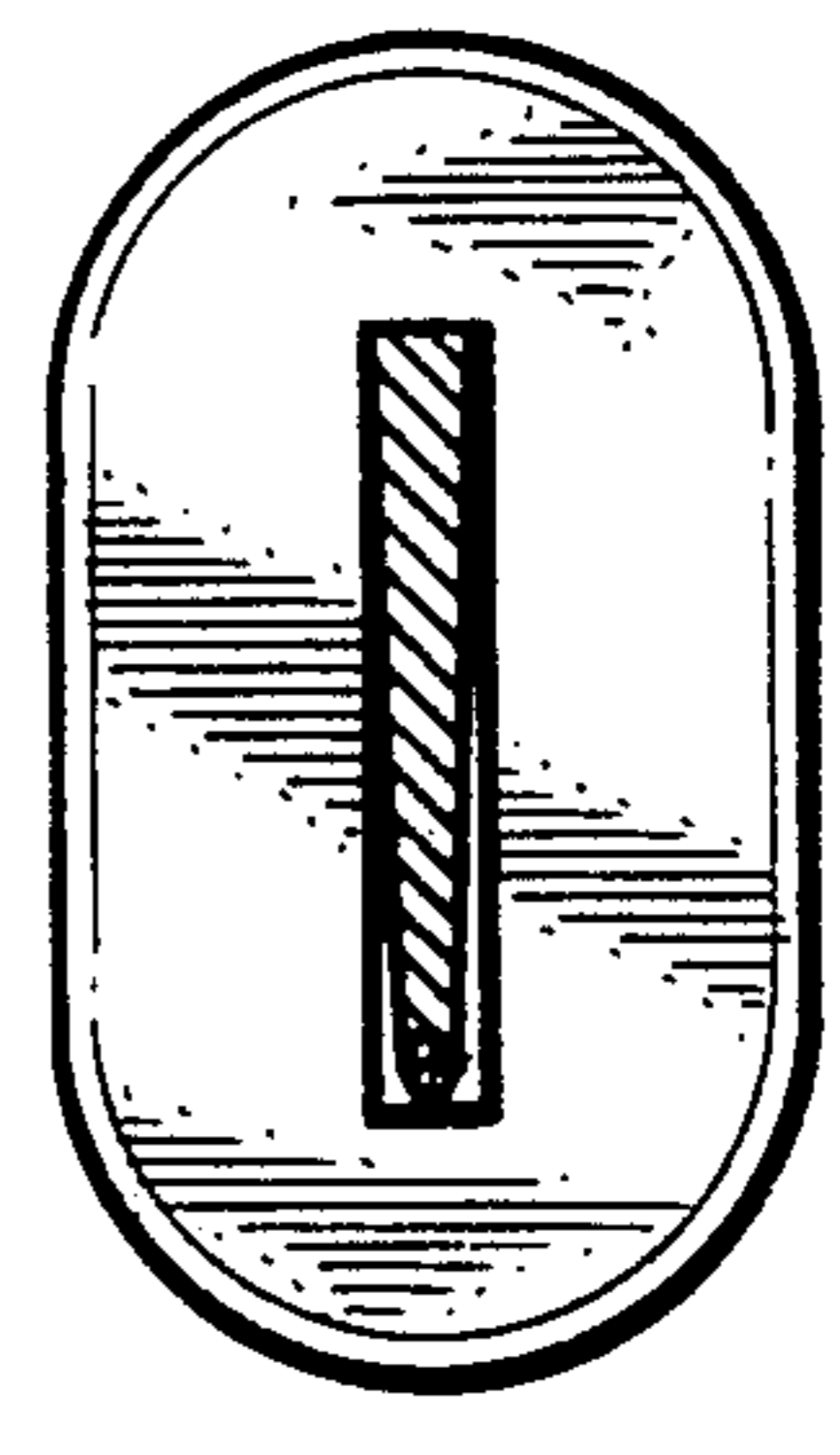


Fig. 11.

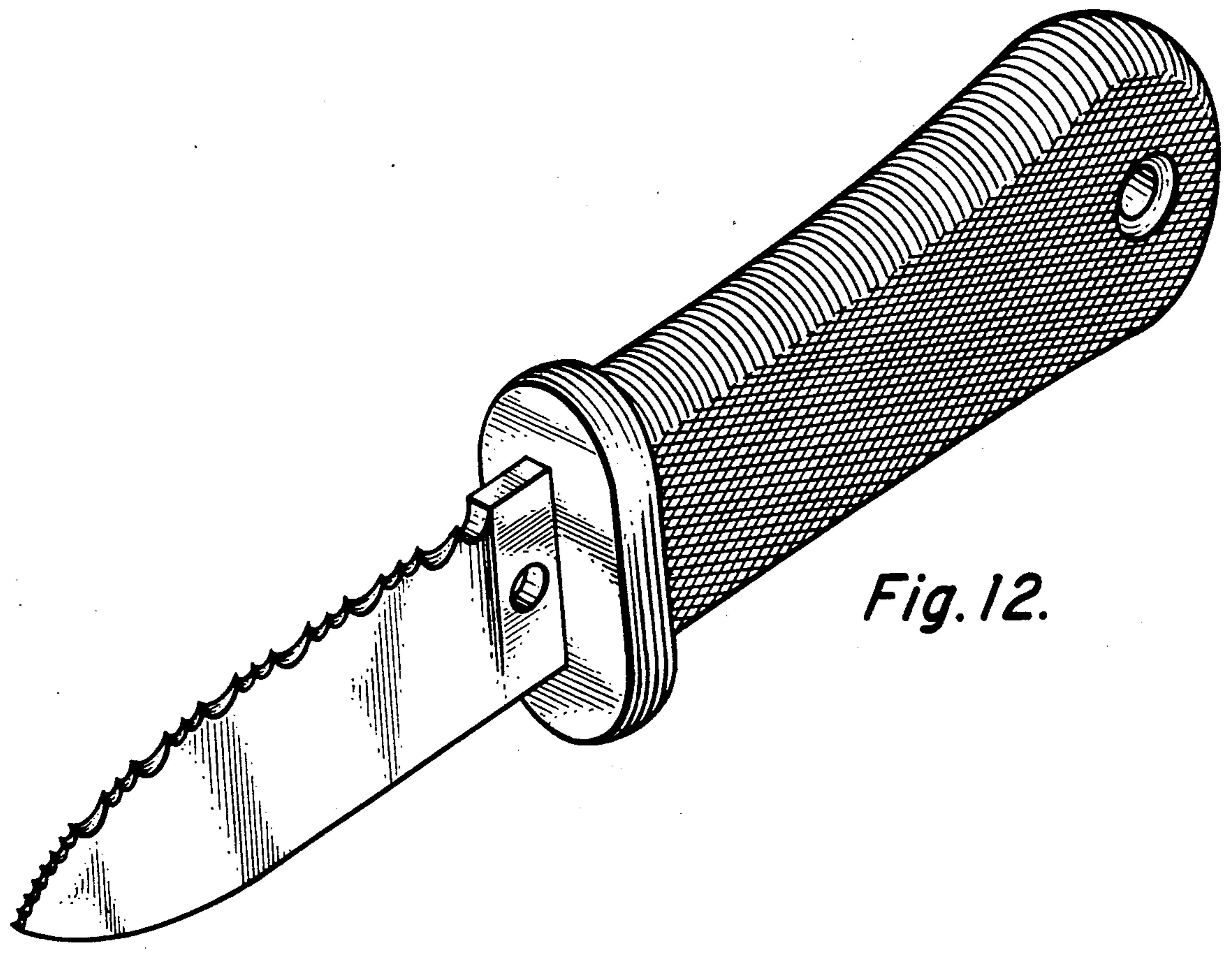


Fig. 12.