



US00D324892S

United States Patent [19]

[11] Patent Number: Des. 324,892

Kwan

[45] Date of Patent: ** Mar. 24, 1992

[54] RECONFIGURABLE TOY CAR

[56]

References Cited

U.S. PATENT DOCUMENTS

[75] Inventor: Cheng L. Kwan, Quarry Bay, Hong Kong

D. 230,146	1/1974	Cox	D12/99
D. 231,439	4/1974	Putnam	D12/99
D. 296,915	7/1988	Matsumoto	D12/99
D. 301,263	5/1989	Ishizawa	D21/166
D. 301,265	5/1989	Ishizawa	D21/166

[73] Assignee: Hung Chuk Industrial Company Limited, Hong Kong, Hong Kong

Primary Examiner—Charles A. Rademaker
Attorney, Agent, or Firm—Wolf, Greenfield & Sacks

[**] Term: 14 Years

[57]

CLAIM

[21] Appl. No.: 332,761

The ornamental design for a reconfigurable toy car, as shown and described.

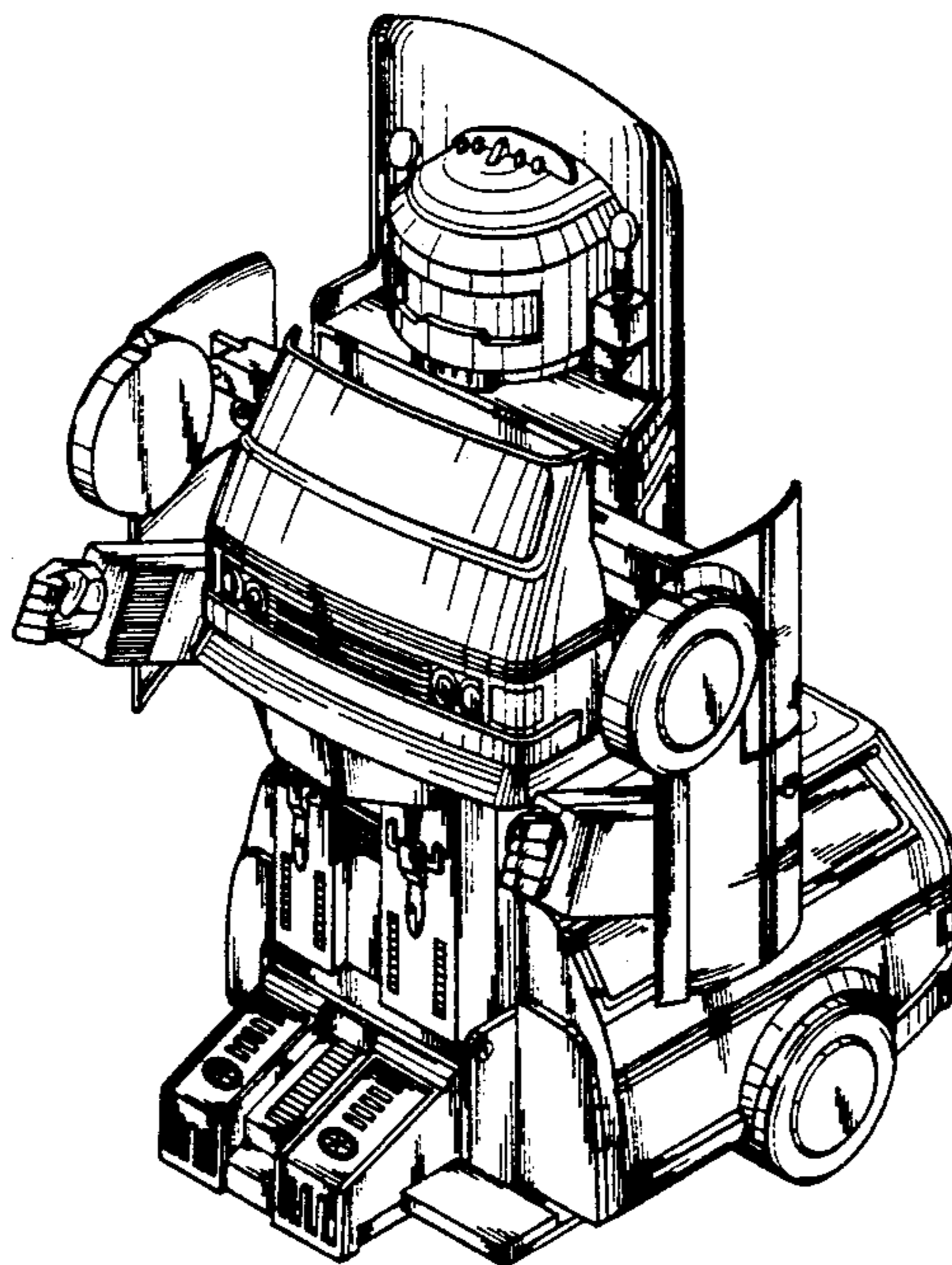
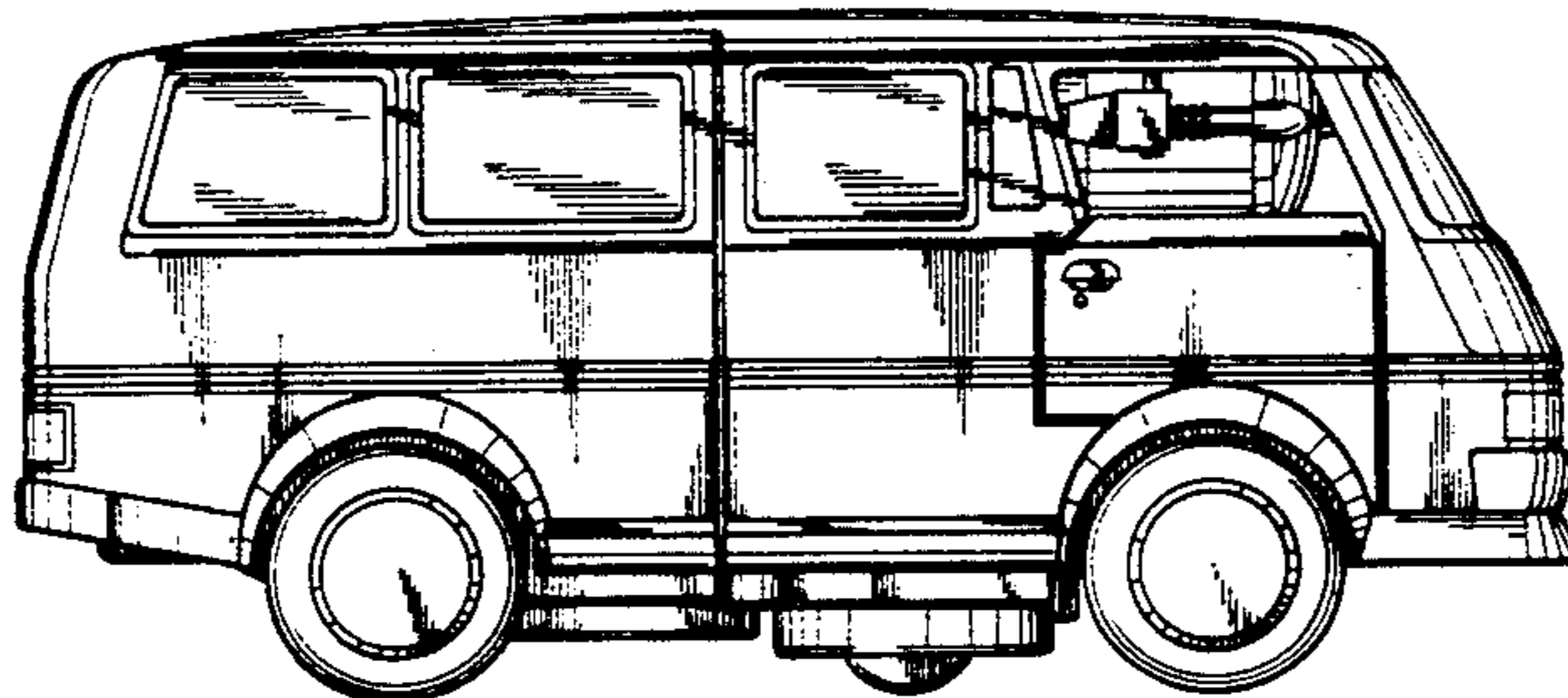
[22] Filed: Apr. 3, 1989

DESCRIPTION

[30] Foreign Application Priority Data

Oct. 11, 1988 [GB] United Kingdom 1054167
 [52] U.S. Cl. D21/150; D21/134; D21/166
 [58] Field of Search D21/128, 132, 140, 150, D21/166; 446/72, 465, 466, 487, 78; D12/86, 92, 90, 99

FIG. 1 is a front elevational view of a reconfigurable toy car showing my new design;
 FIG. 2 is a rear elevational view thereof;
 FIG. 3 is a left side elevational view thereof;
 FIG. 4 is a right side elevational view thereof;
 FIG. 5 is a top plan view thereof;
 FIG. 6 is a bottom plan view thereof;
 FIG. 7 is a top perspective view thereof; and,
 FIG. 8 is a perspective view of the design shown in FIGS. 1 through 7 in a toy robot configuration.



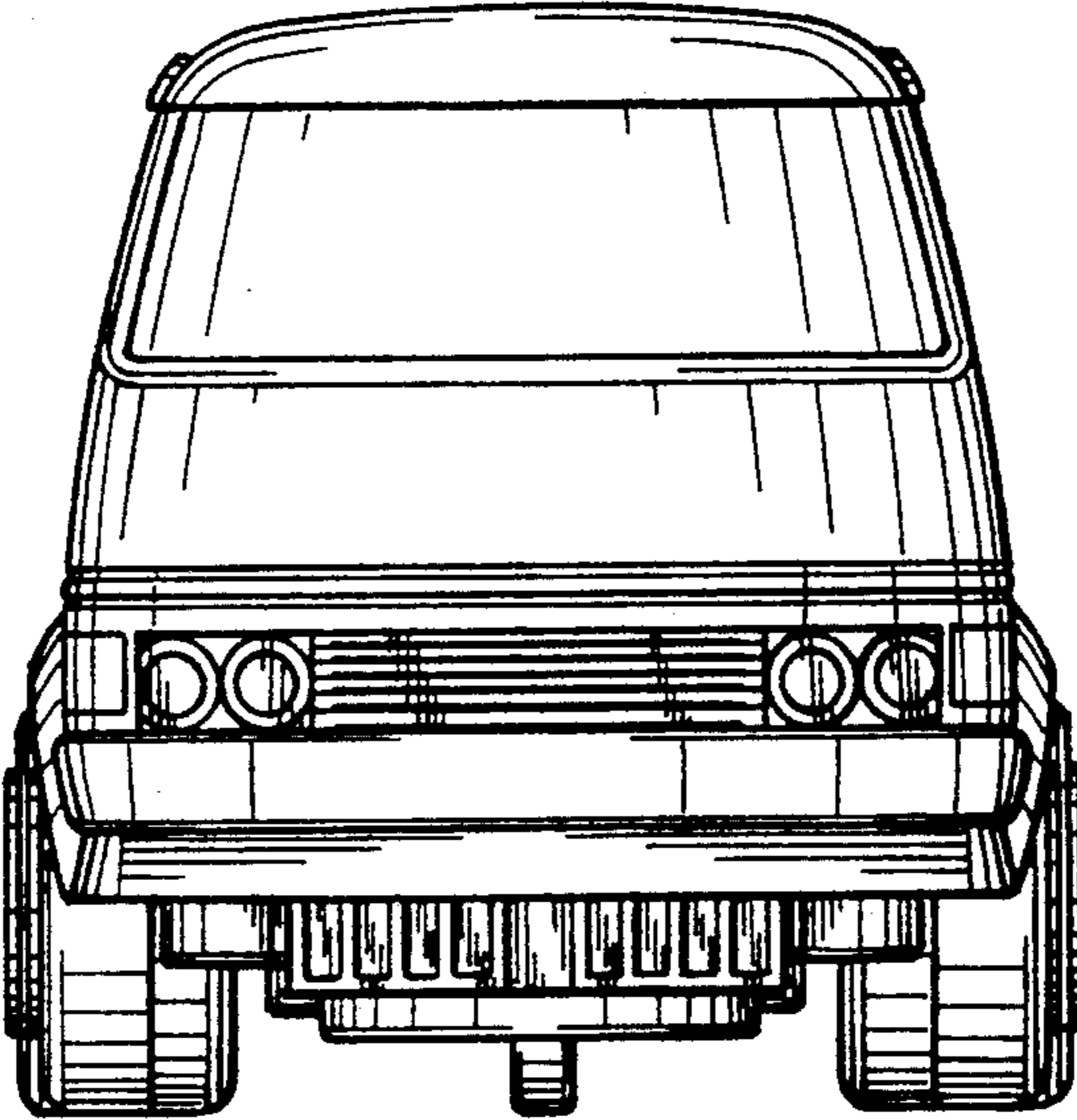


Fig. 1

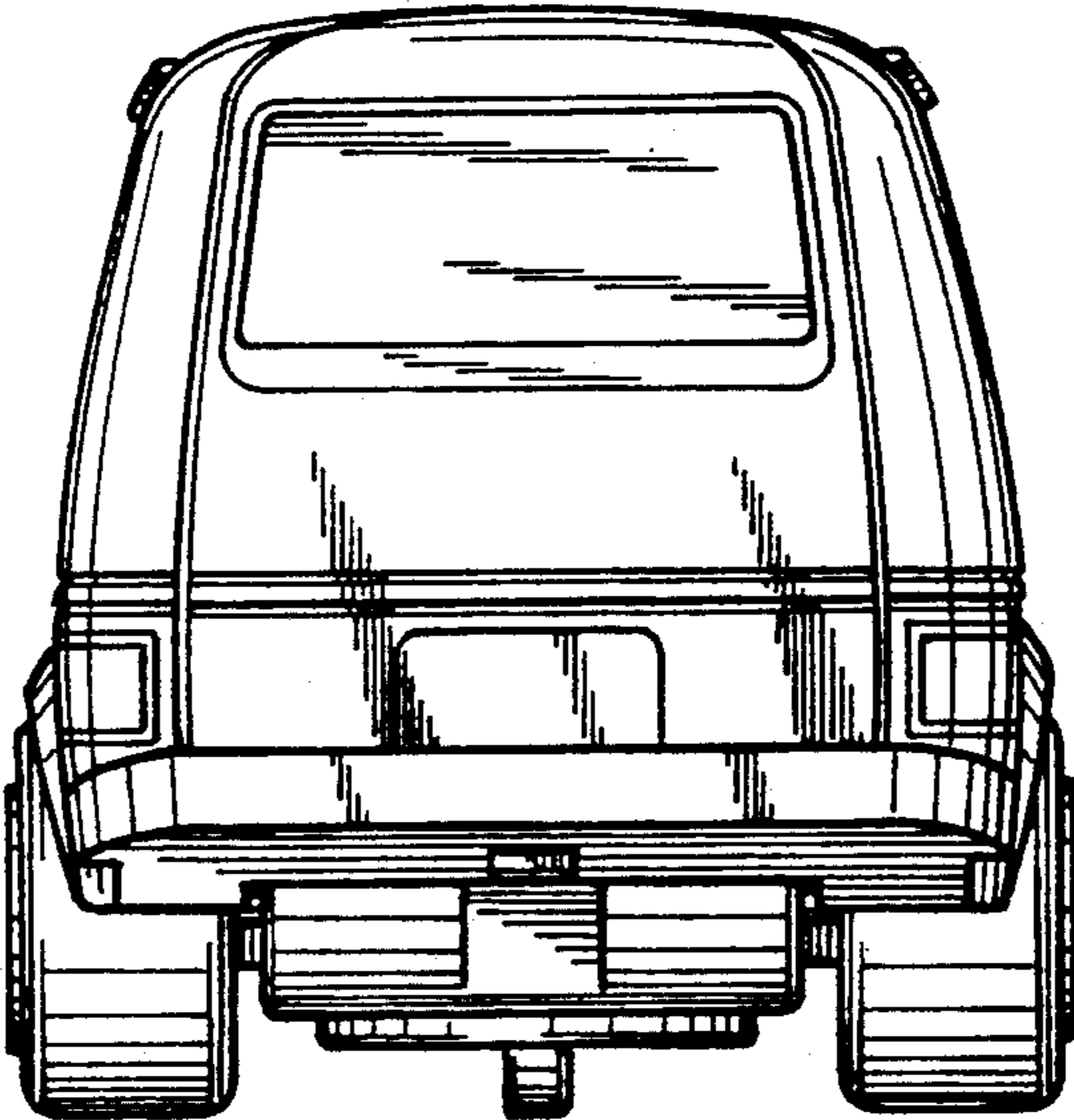


Fig. 2

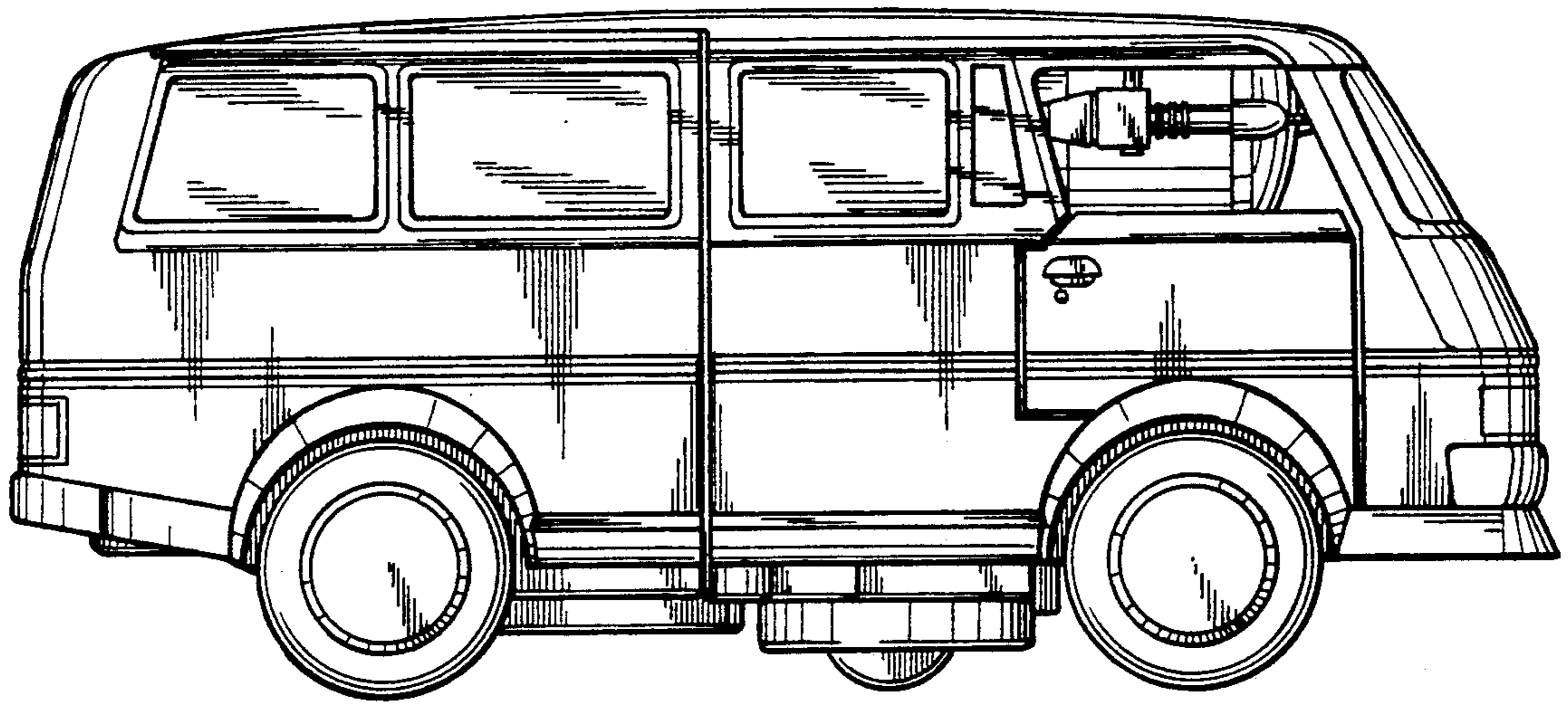


Fig. 3

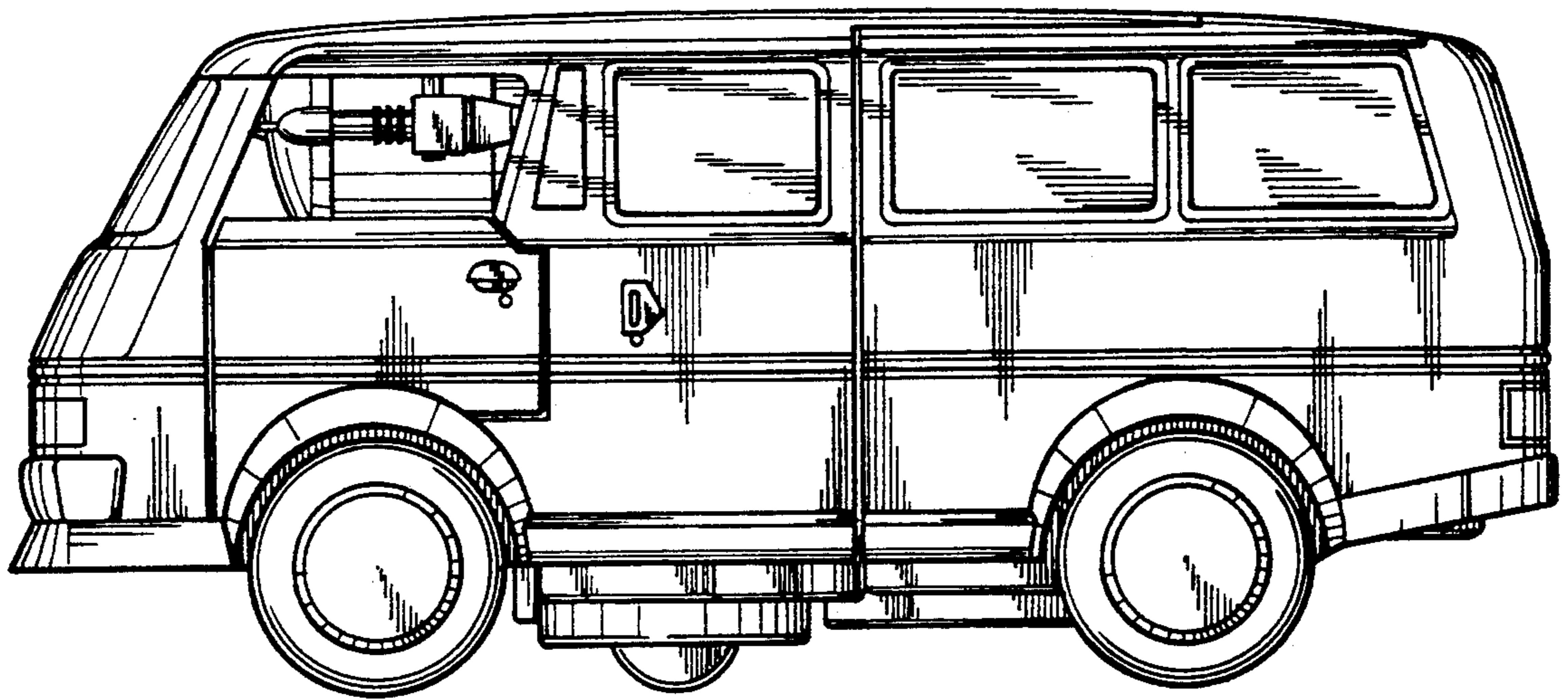


Fig. 4

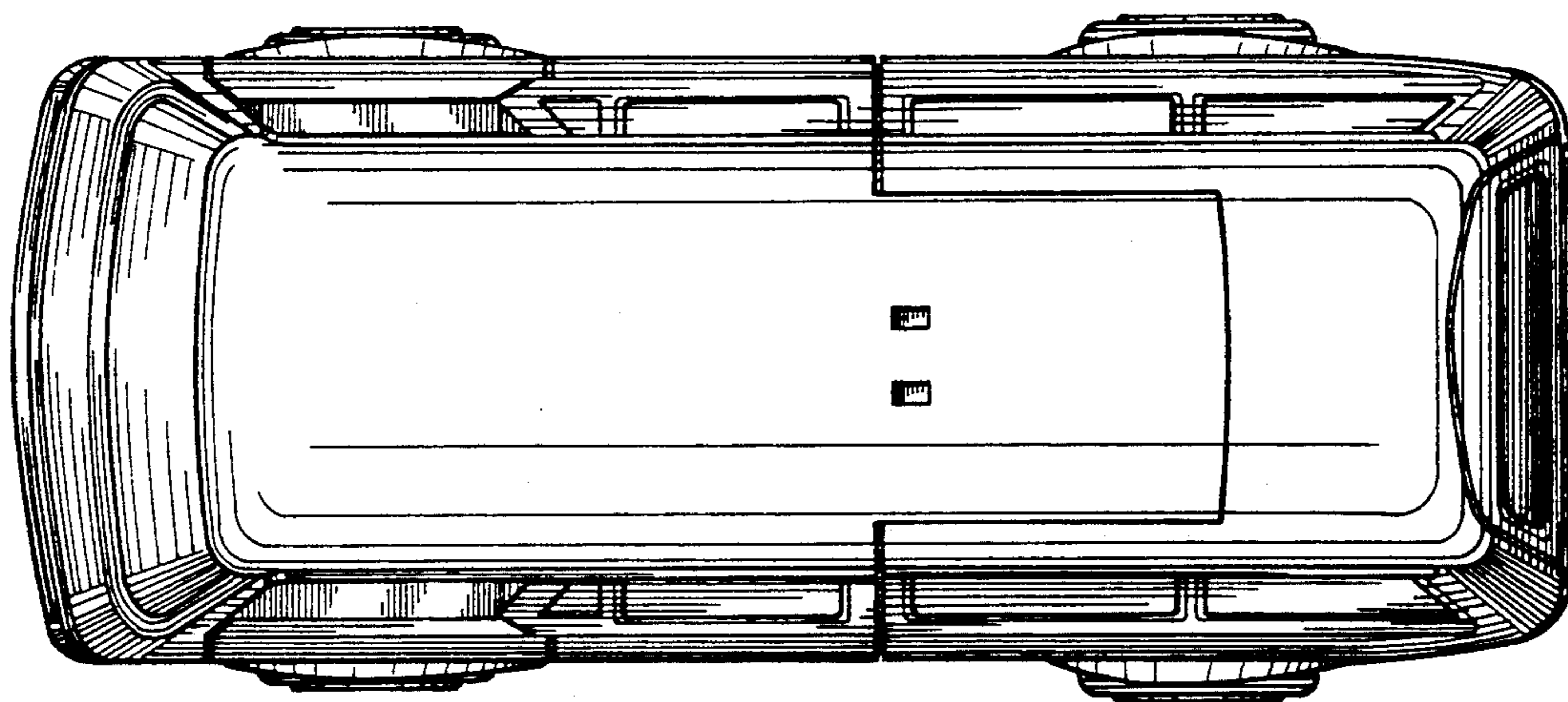


Fig. 5

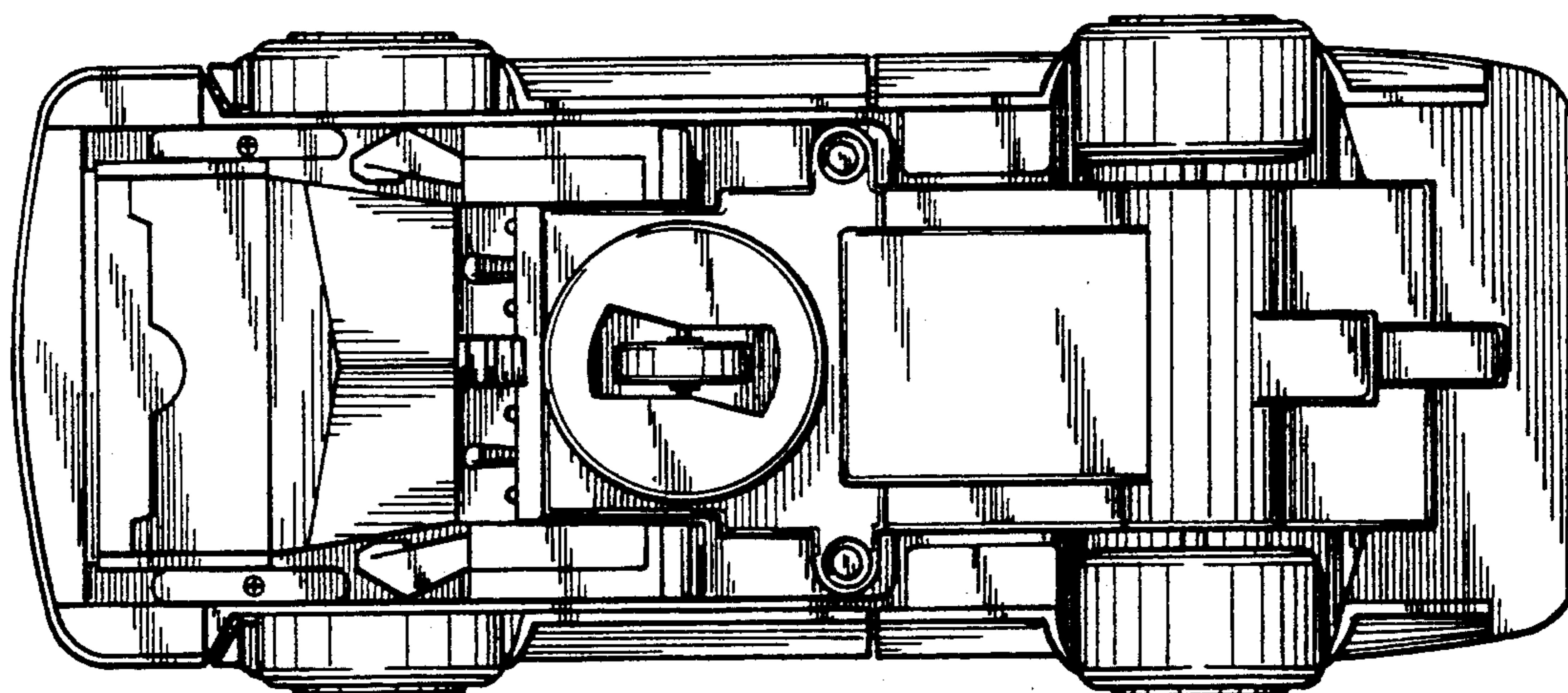


Fig. 6

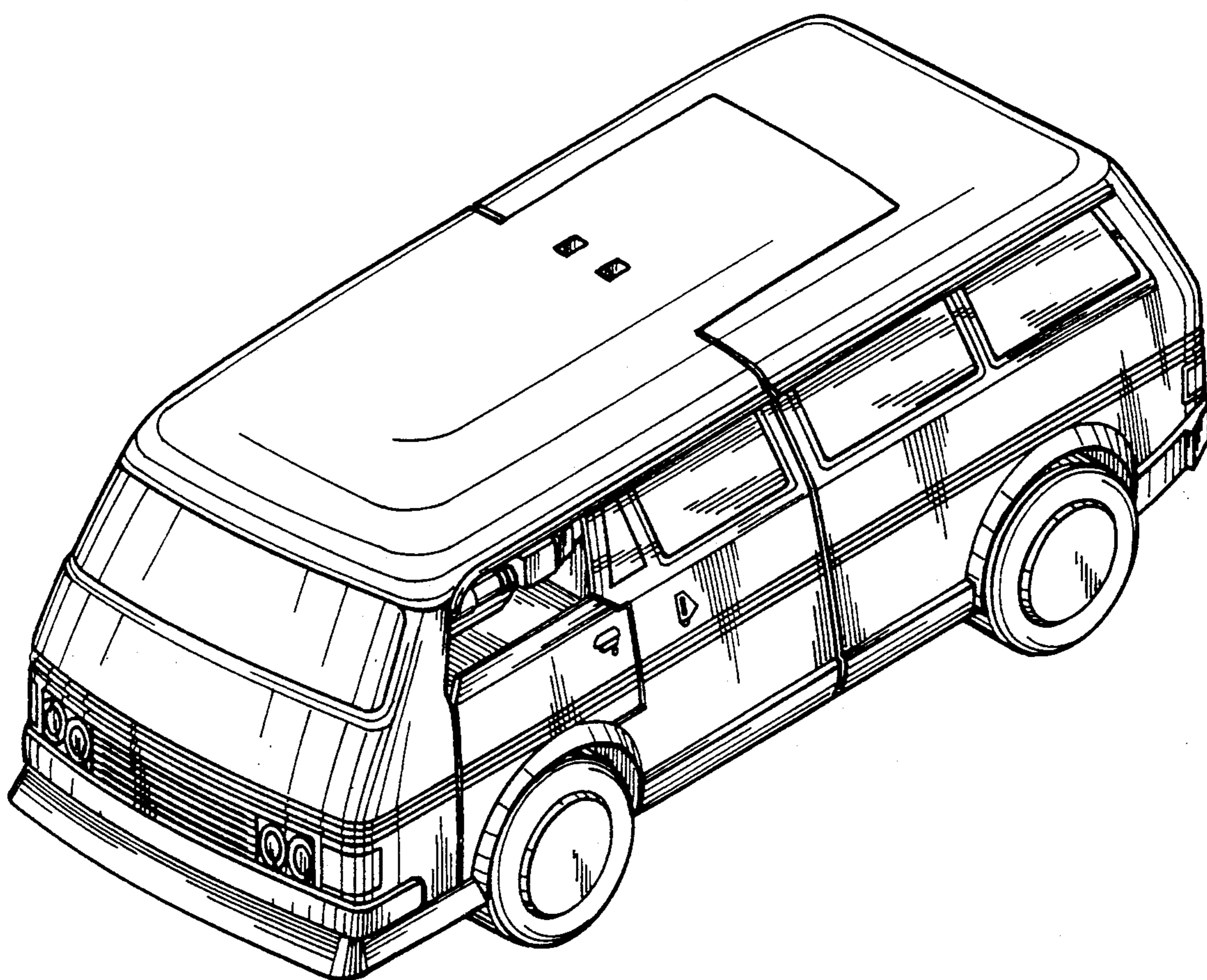


Fig. 7

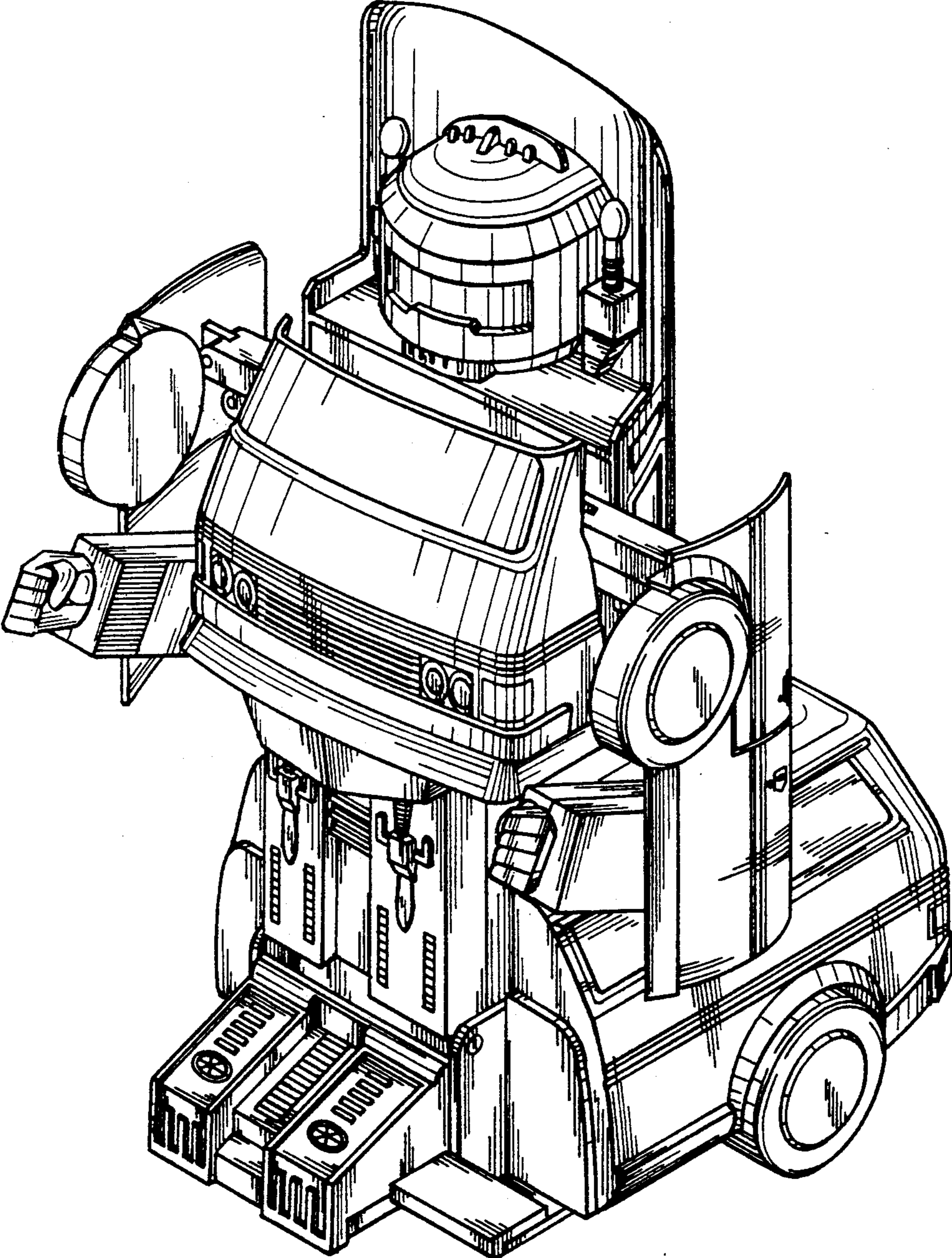


Fig. 8