



US00D324890S

United States Patent [19]

[11] Patent Number: **Des. 324,890**

Smiel

[45] Date of Patent: **** Mar. 24, 1992**

[54] **AERIAL TOY**

[76] Inventor: **Adalbert J. Smiel**, 17-B Smith Loop,
Los Lunas, N. Mex. 87031

[**] Term: **14 Years**

[21] Appl. No.: **371,014**

[22] Filed: **Jun. 26, 1989**

[52] U.S. Cl. **D21/86**

[58] Field of Search **D21/86, 82; 446/46,**
446/47, 48, 36, 37, 41; 273/126 R, 424, 425

3,742,643 7/1973 Keith 446/46

Primary Examiner—Charles A. Rademaker

[57] CLAIM

The ornamental design for an aerial toy, as shown and described.

DESCRIPTION

FIG. 1 is a top plan view of an aerial toy showing my new design;

FIG. 2 is a side elevational view thereof;

FIG. 3 is a bottom plan view thereof;

FIG. 4 is a cross-sectional view thereof taken along line A—A in FIG. 3;

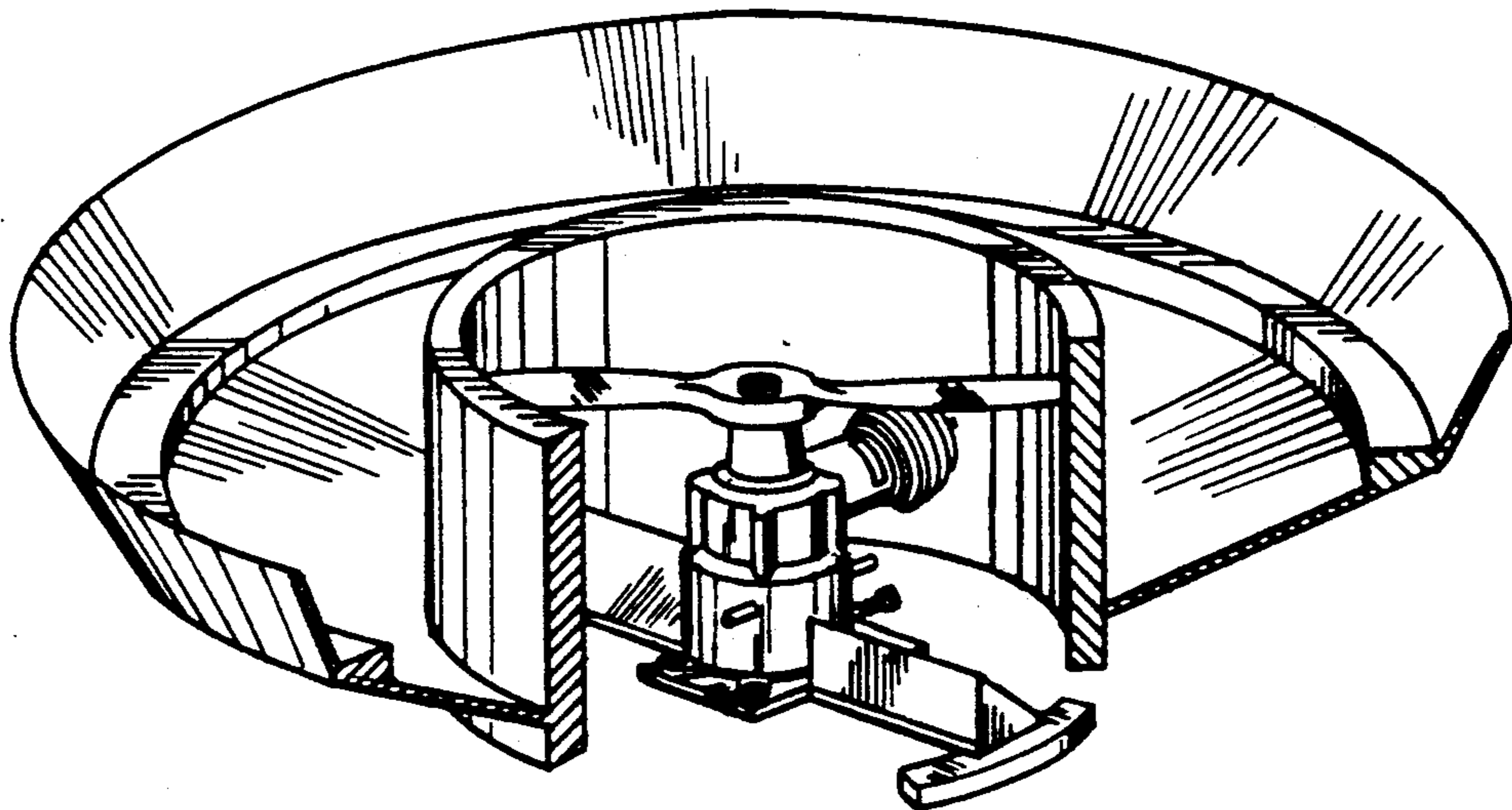
FIG. 5 is a top perspective view thereof; and,

FIG. 6 is another top perspective view thereof shown partially in fragment.

[56] References Cited

U.S. PATENT DOCUMENTS

D. 209,763	1/1968	Mueller	D21/86
D. 261,538	10/1981	Sides	D21/86
3,580,580	5/1971	Wark	D21/86



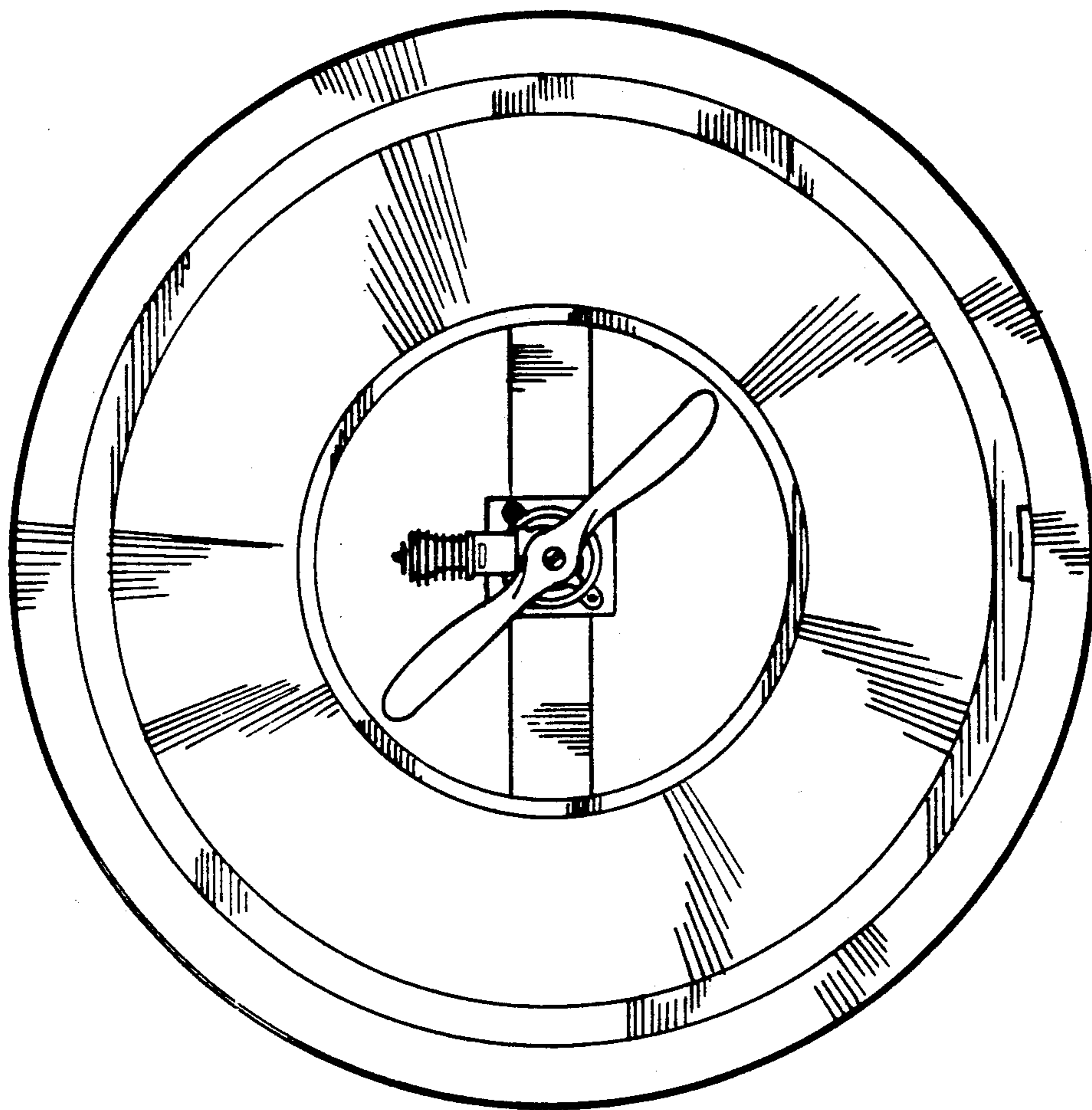


FIG - 1

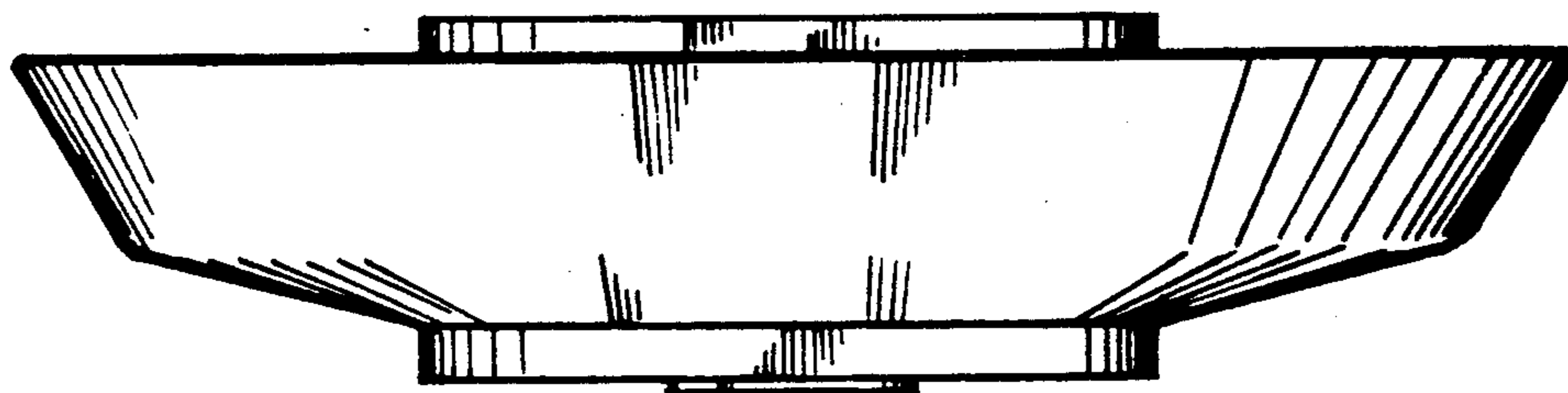


FIG - 2

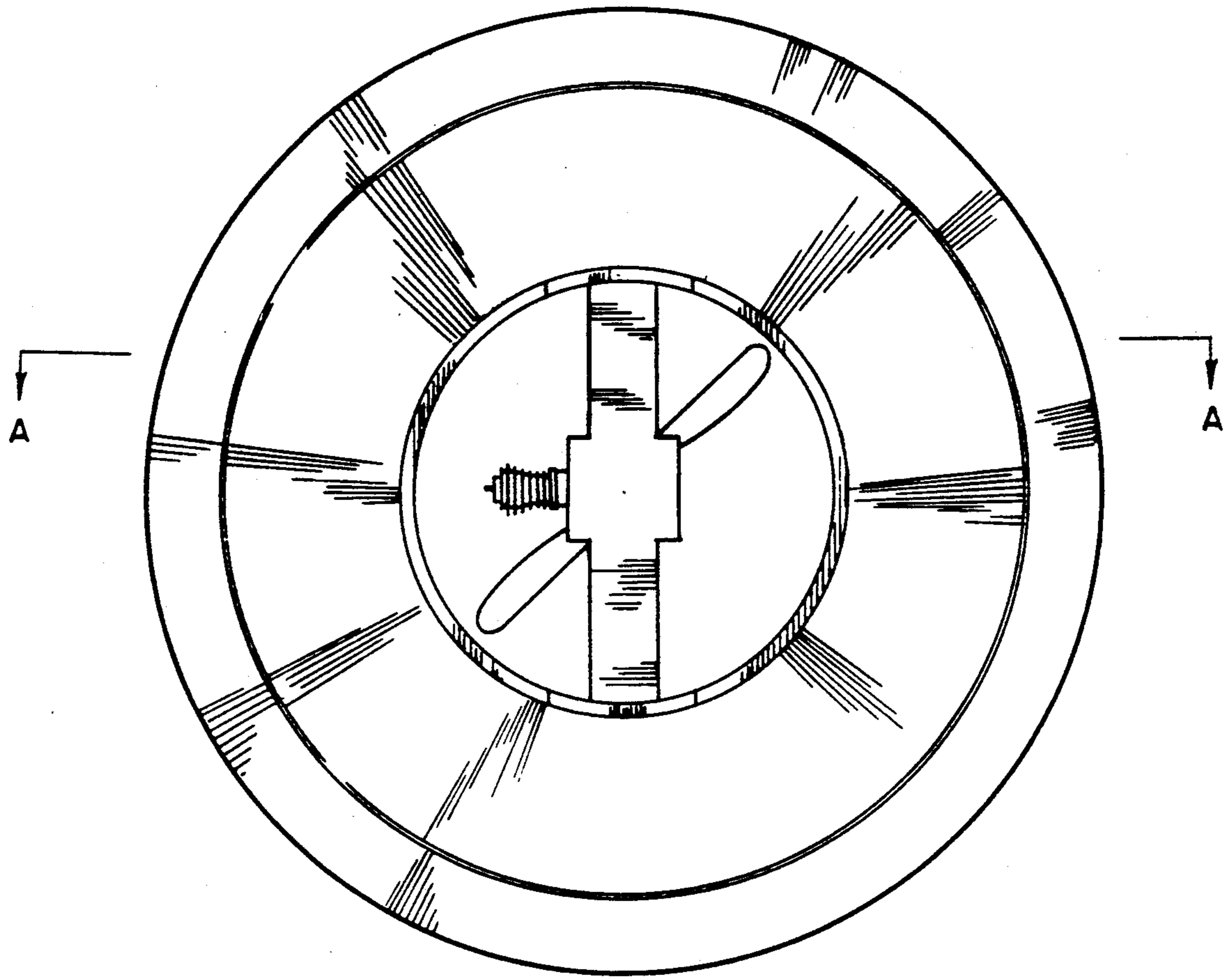


FIG - 3

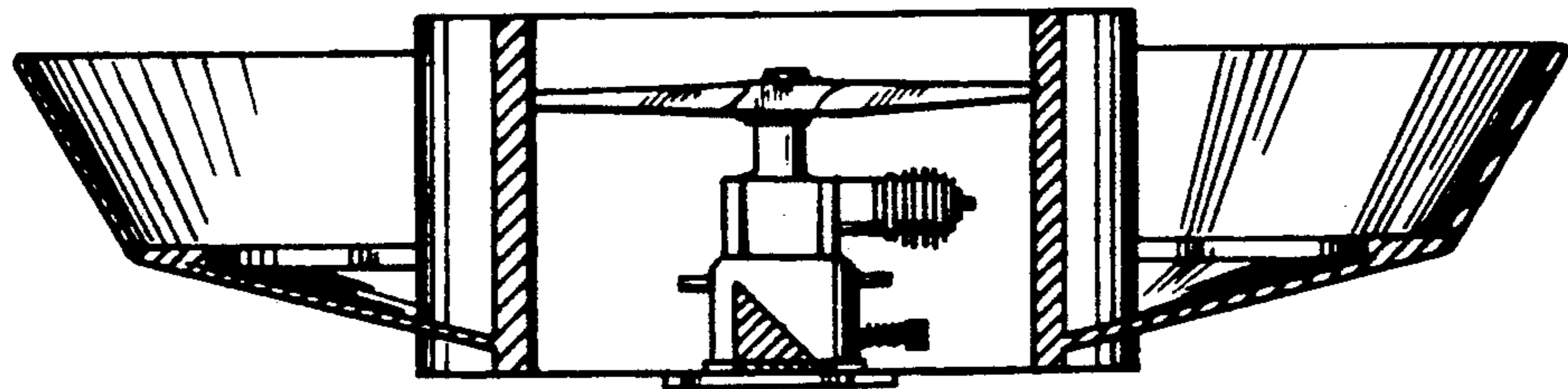


FIG - 4

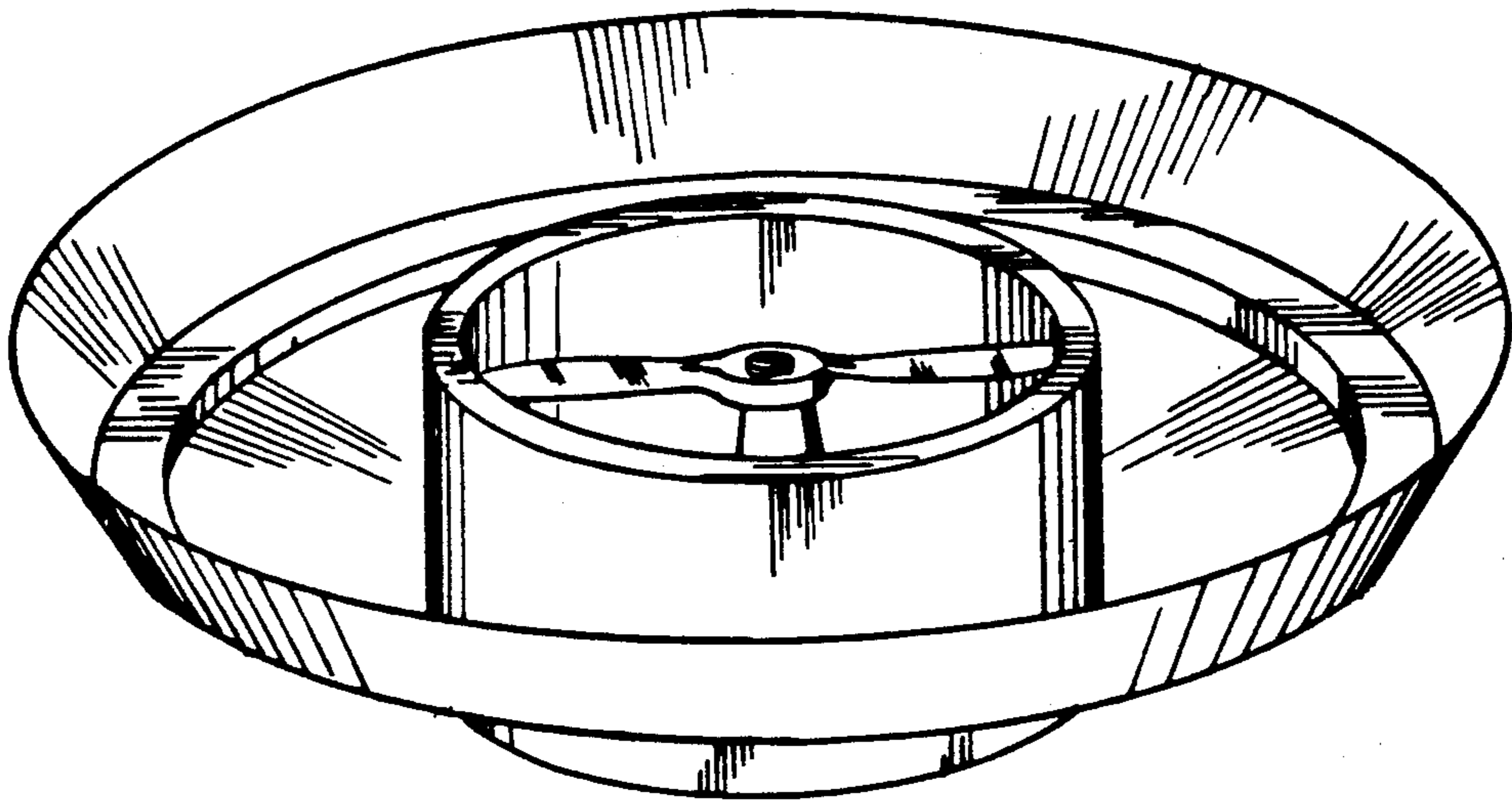


FIG - 5

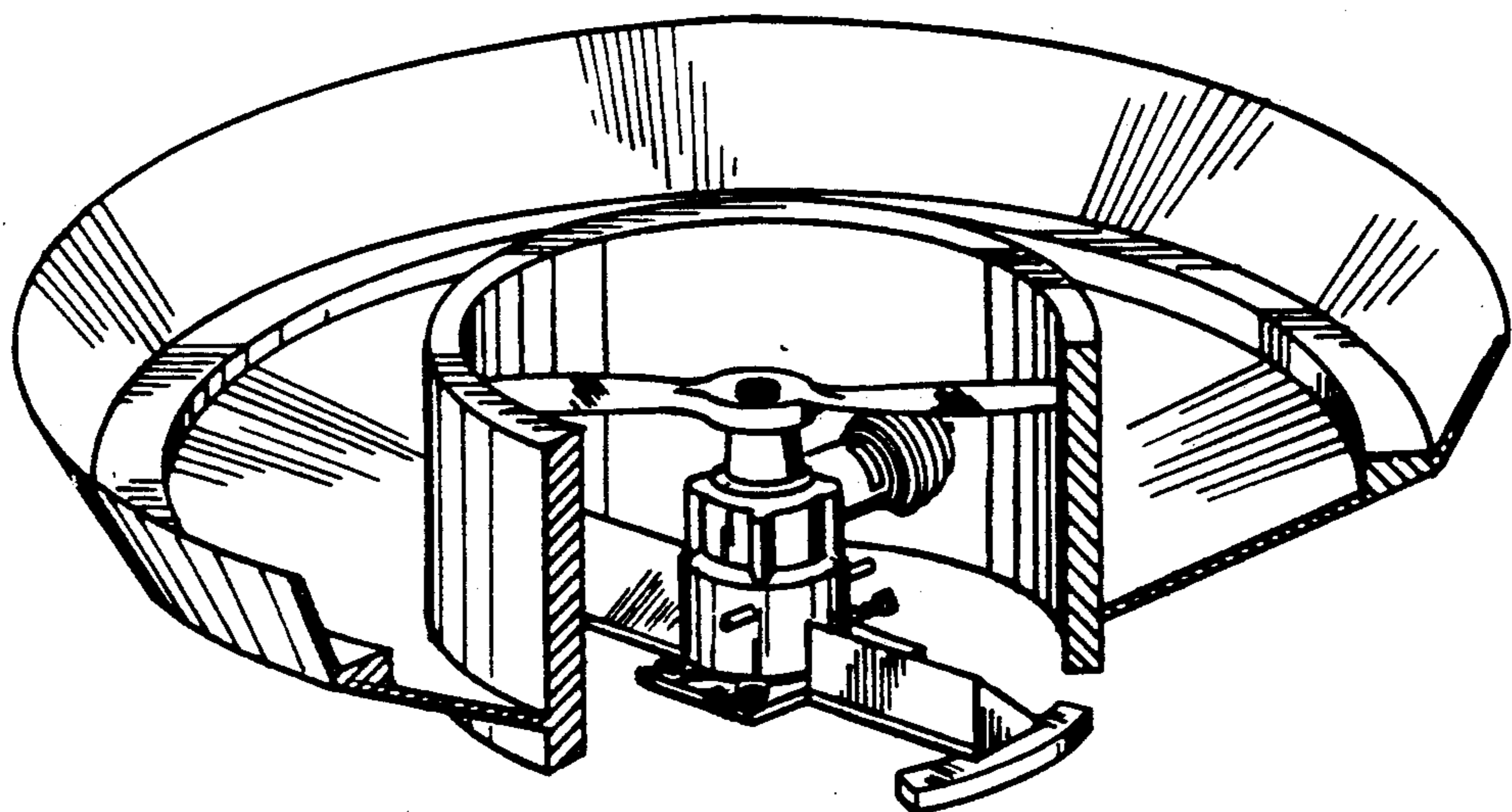


FIG - 6