



US00D324887S

United States Patent [19]

[11] Patent Number: **Des. 324,887**

Cecalek

[45] Date of Patent: **** Mar. 24, 1992**

[54] **GAME BOARD**

3,203,699 8/1965 Pewson, Jr. D21/22

[76] Inventor: **Rudolph F. Cecalek, 4760 Springbrook Dr., Toledo, Ohio 43615**

FOREIGN PATENT DOCUMENTS

0971592 7/1975 Canada 273/236

[**] Term: **14 Years**

Primary Examiner—Bernard Ansher
Assistant Examiner—Sandra Morris
Attorney, Agent, or Firm—Marshall & Melhorn

[21] Appl. No.: **458,809**

[57] **CLAIM**

[22] Filed: **Dec. 29, 1989**

The ornamental design for a game board, as shown and described.

[52] U.S. Cl. **D21/17; D21/32**

[58] Field of Search **D21/14-36; 273/236-285**

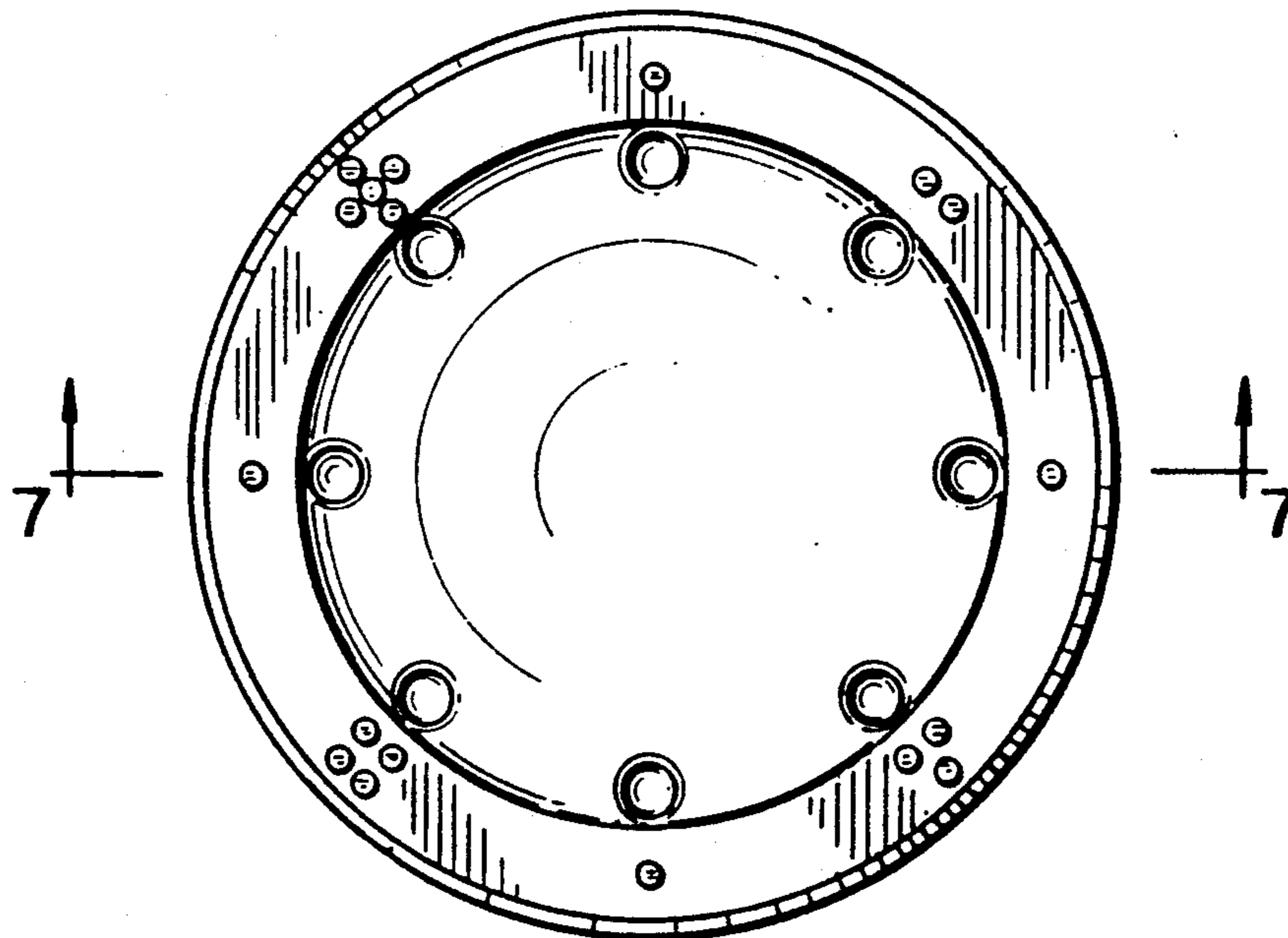
DESCRIPTION

[56] **References Cited**

U.S. PATENT DOCUMENTS

D. 94,253	1/1935	Wiggins et al.	D21/17
D. 143,556	1/1946	Shepherd	D21/17
286,868	10/1883	Thompson	D21/17
1,028,467	6/1912	Kaerschke	D21/39
1,820,617	8/1931	Holmberg	273/148 R
3,100,643	8/1963	Almashy	D21/17
3,166,323	1/1965	Anderson	273/274

FIG. 1 is a top plan view of a game board showing my new design;
FIG. 2 is a front elevational view thereof;
FIG. 3 is a right side elevational view thereof;
FIG. 4 is a left side elevational view thereof;
FIG. 5 is a rear elevational view thereof;
FIG. 6 is a bottom plan view thereof; and,
FIG. 7 is a sectional view taken along line 7—7 of FIG. 1.



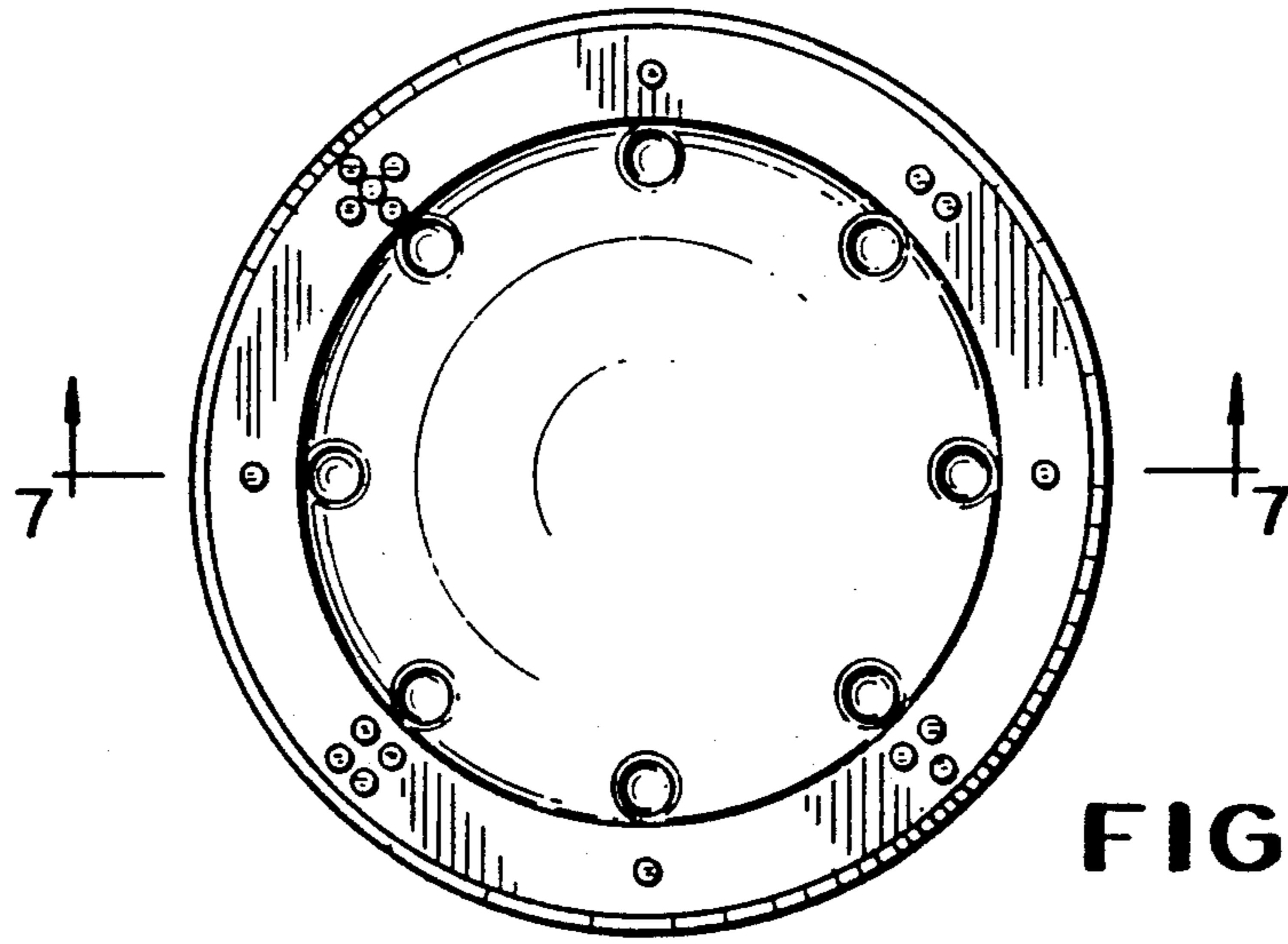


FIG. 1

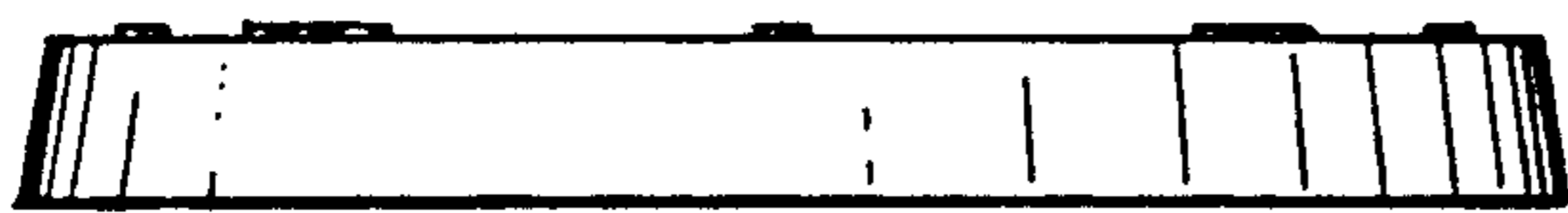


FIG. 2



FIG. 3



FIG. 4



FIG. 5

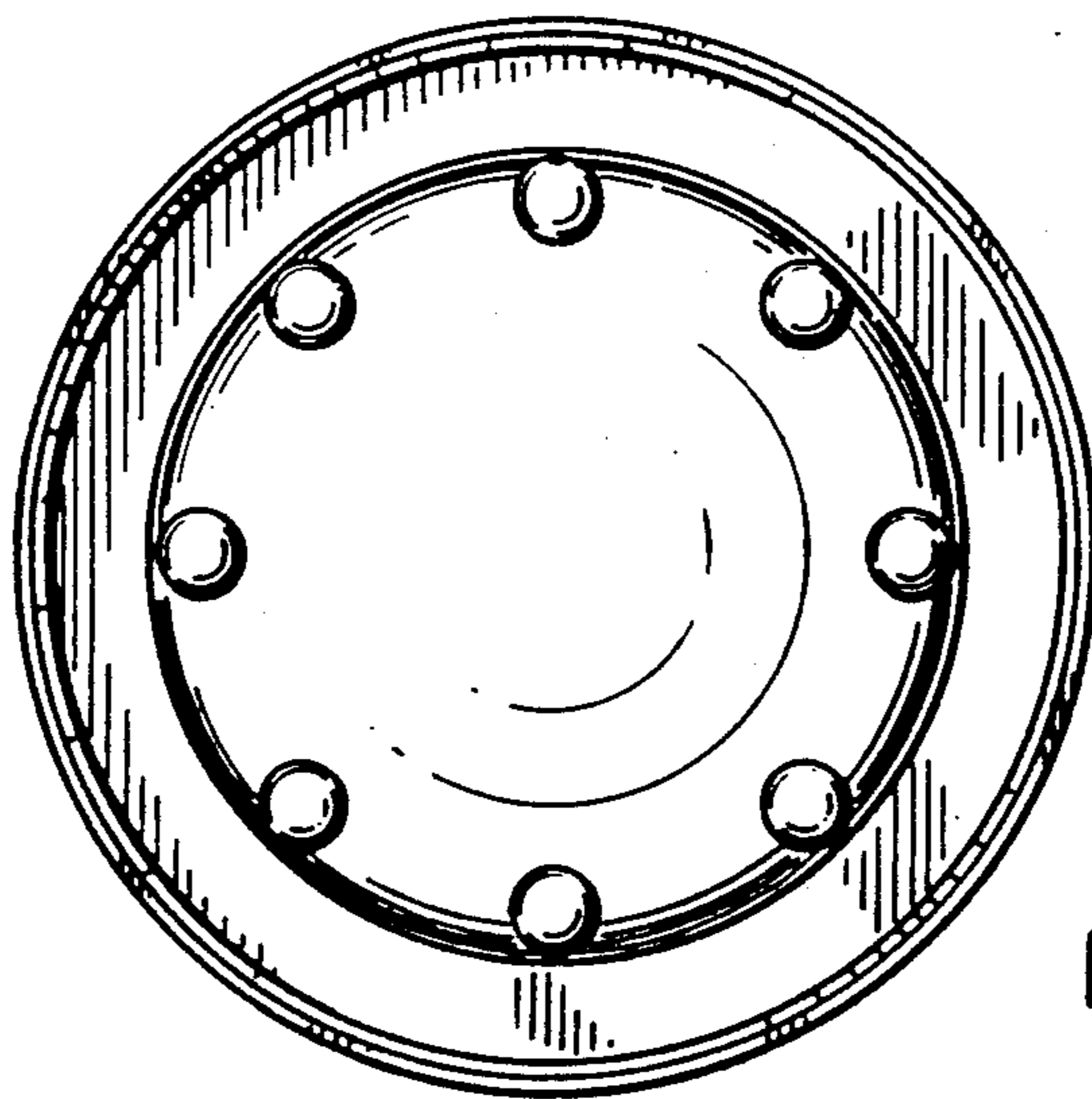


FIG. 6

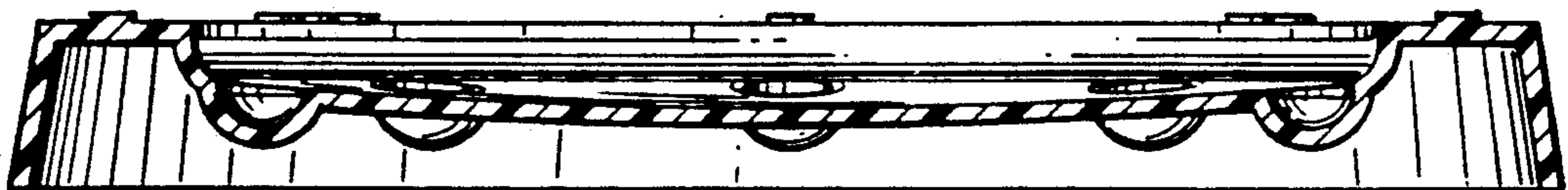


FIG. 7