



US00D324882S

# United States Patent [19]

[11] Patent Number: **Des. 324,882**

Judd

[45] Date of Patent: **\*\* Mar. 24, 1992**

[54] **ADJUSTABLE DOCUMENT HOLDER CLIP**

[75] Inventor: **Thomas W. Judd, Peterborough, N.H.**

[73] Assignee: **Curtis Manufacturing Company, Inc., Jaffrey, N.H.**

[\*\*] Term: **14 Years**

[21] Appl. No.: **471,959**

[22] Filed: **Jan. 25, 1990**

[52] U.S. Cl. .... **D19/88; D19/65; D19/90; D19/91**

[58] Field of Search ..... **D19/65, 75, 78, 86, D19/88, 90, 91, 99, 100; 248/441.1, 442.2, 447.2, 450, 451, 452, 457, 458, 460**

[56] **References Cited**

### U.S. PATENT DOCUMENTS

D. 199,828	12/1964	Regan	.....	D19/88
D. 242,808	12/1976	Moberg	.....	D19/91 X
D. 253,775	12/1979	Lar Rieu	.....	D19/91
D. 301,044	5/1989	Judd	.....	D19/88
D. 302,443	7/1989	Jones	.....	D19/88 X
D. 309,607	7/1990	Nemeth	.....	D19/88 X

D. 318,297	7/1991	Chu	.....	D19/86 X
1,615,959	2/1927	Slavik	.....	248/442.2
1,811,118	6/1931	Fischer	.....	248/442.2
2,006,887	7/1935	Doherty	.....	248/442.2
4,243,335	1/1981	Singley	.....	248/442.2 X
4,767,093	8/1988	Jones	.....	248/442.2

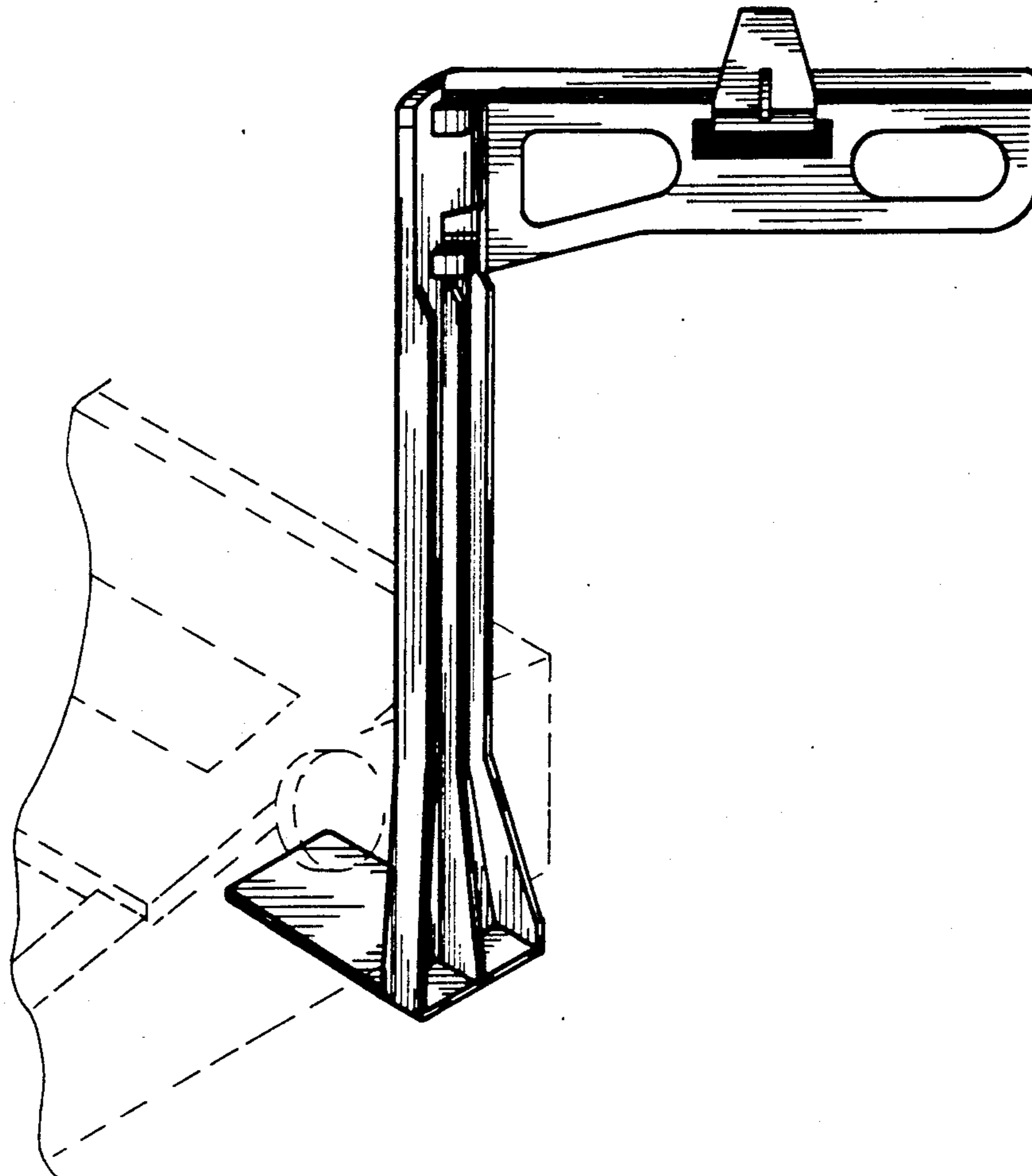
*Primary Examiner*—Bruce W. Dunkins  
*Assistant Examiner*—Martha Thompson  
*Attorney, Agent, or Firm*—Richard P. Crowley

### [57] CLAIM

The ornamental design for an adjustable document holder clip, as shown and described.

### DESCRIPTION

FIG. 1 is a front perspective view of an adjustable document holder clip showing my new design, the typewriter fragment being depicted by means of broken lines for illustrative purposes only and forming no part of the claimed design;  
FIG. 2 is a top plan view;  
FIG. 3 is a front elevational view;  
FIG. 4 is a left side elevational view;  
FIG. 5 is a right side elevational view; and,  
FIG. 6 is a bottom plan view thereof.



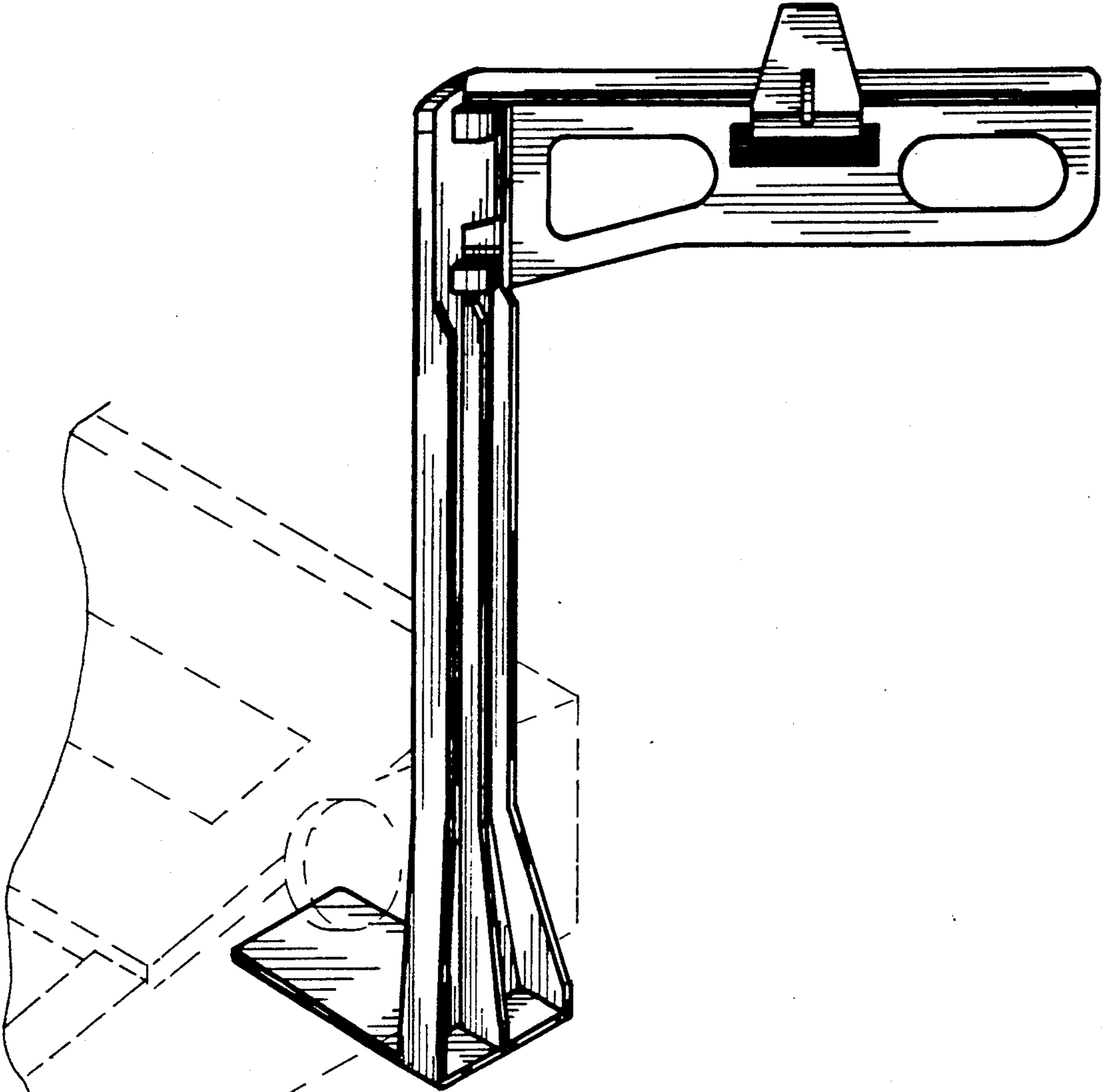


FIG. 1



FIG. 2

