



US00D324877S

# United States Patent [19]

[11] Patent Number: **Des. 324,877**

Schimmel

[45] Date of Patent: **\*\* Mar. 24, 1992**

[54] **NOTEBOOK FOR KEEPING LOTTERY RECORDS**

4,630,843	12/1986	Willat	.....	281/31 X
4,720,012	1/1988	Dufour	.....	D19/27 X
4,722,628	2/1988	Ragen	.....	402/75

[76] Inventor: **Kelly B. Schimmel**, 22027 Dale, Trenton, Mich. 48183

*Primary Examiner*—Wallace R. Burke  
*Assistant Examiner*—Pam Schmidt  
*Attorney, Agent, or Firm*—Terry M. Gernstein

[\*\*] Term: **14 Years**

[21] Appl. No.: **595,488**

[57] **CLAIM**

[22] Filed: **Oct. 10, 1990**

The ornamental design for a notebook for keeping lottery records, as shown and described.

[52] U.S. Cl. .... **D19/27**

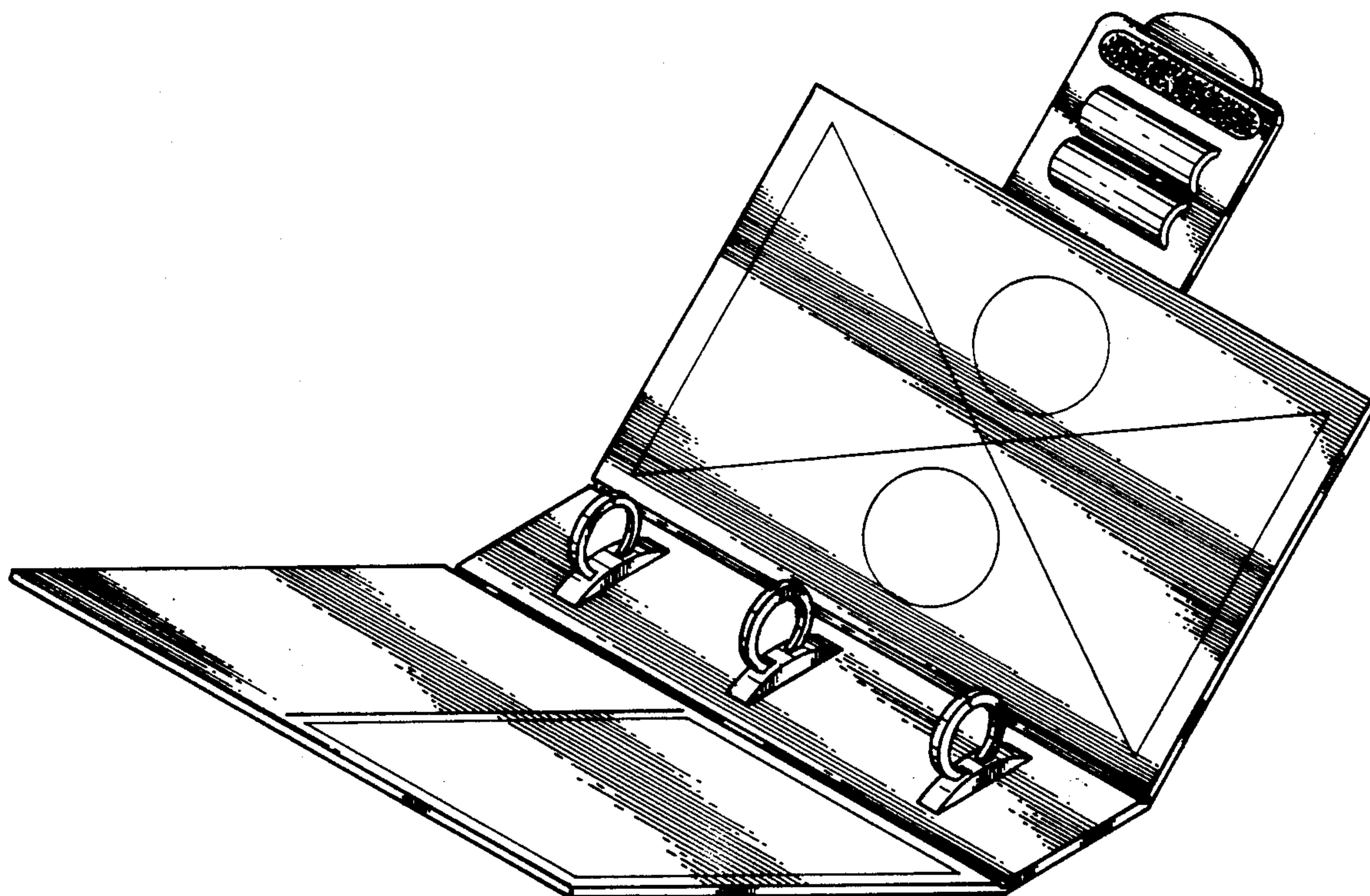
[58] Field of Search ..... D19/26, 27, 28, 29, D19/30, 31, 32; 281/21.1, 31, 32, 19.1, 29, 45, 36, 37; 402/80 R, 79, 75, 3; 283/43, 46; D3/56, 58

**DESCRIPTION**

[56] **References Cited**  
**U.S. PATENT DOCUMENTS**

D. 267,653	1/1983	Miller	.	
D. 271,887	12/1983	Williams	.	
D. 278,352	4/1985	Wenstrom	.	
D. 285,809	9/1986	Sindler	.....	D19/27
4,470,620	9/1984	Gorch	.....	281/31

FIG. 1 is a top perspective view of a notebook for keeping lottery records showing my new design in an opened position;  
FIG. 2 is a top perspective view thereof, in a closed position;  
FIG. 3 is a left side elevational view thereof;  
FIG. 4 is a right side elevational view thereof;  
FIG. 5 is a bottom plan view thereof, the undisclosed top being a mirror image;  
FIG. 6 is a front elevational view thereof; and,  
FIG. 7 is a rear elevational view thereof.



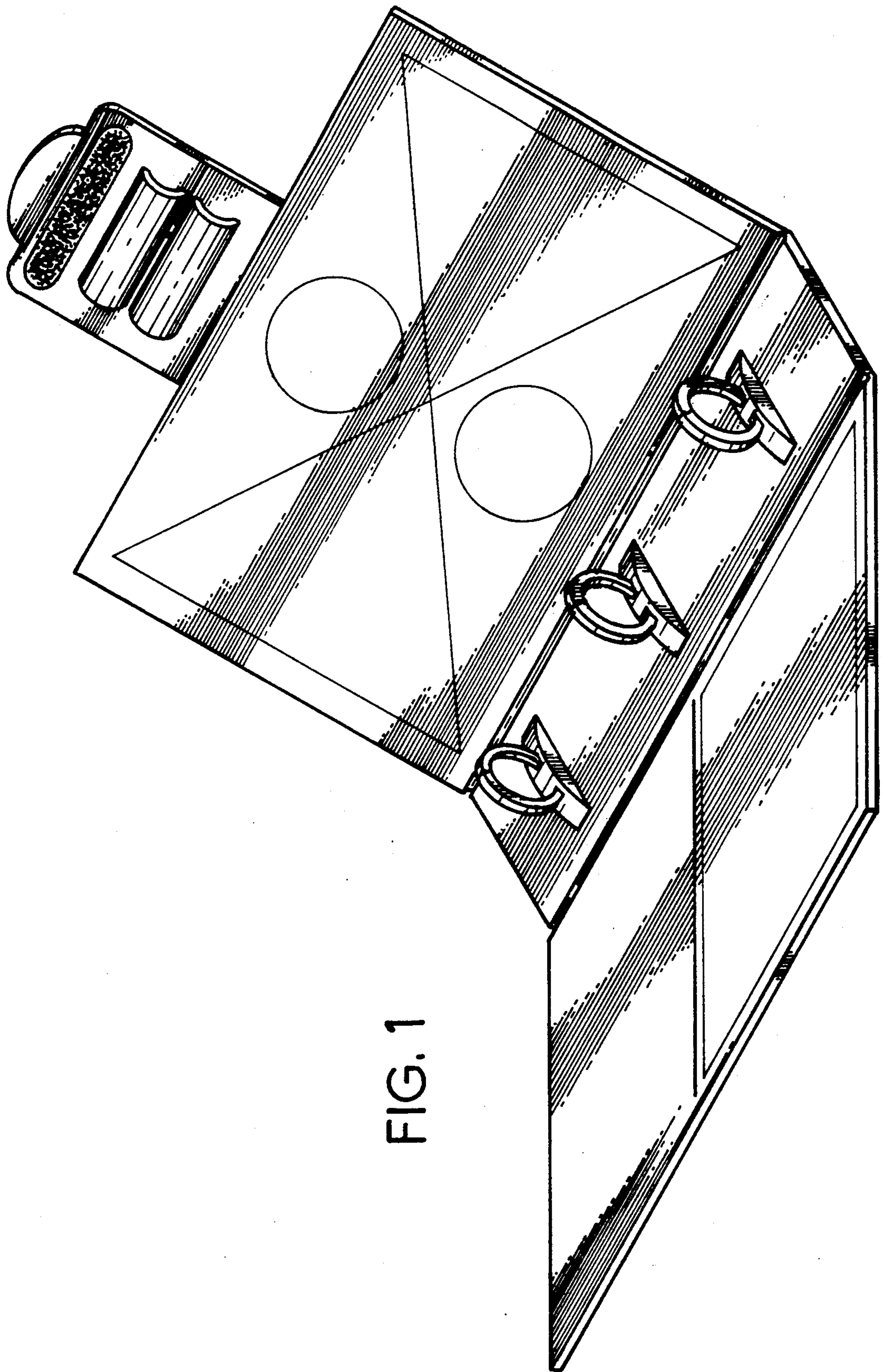


FIG. 1



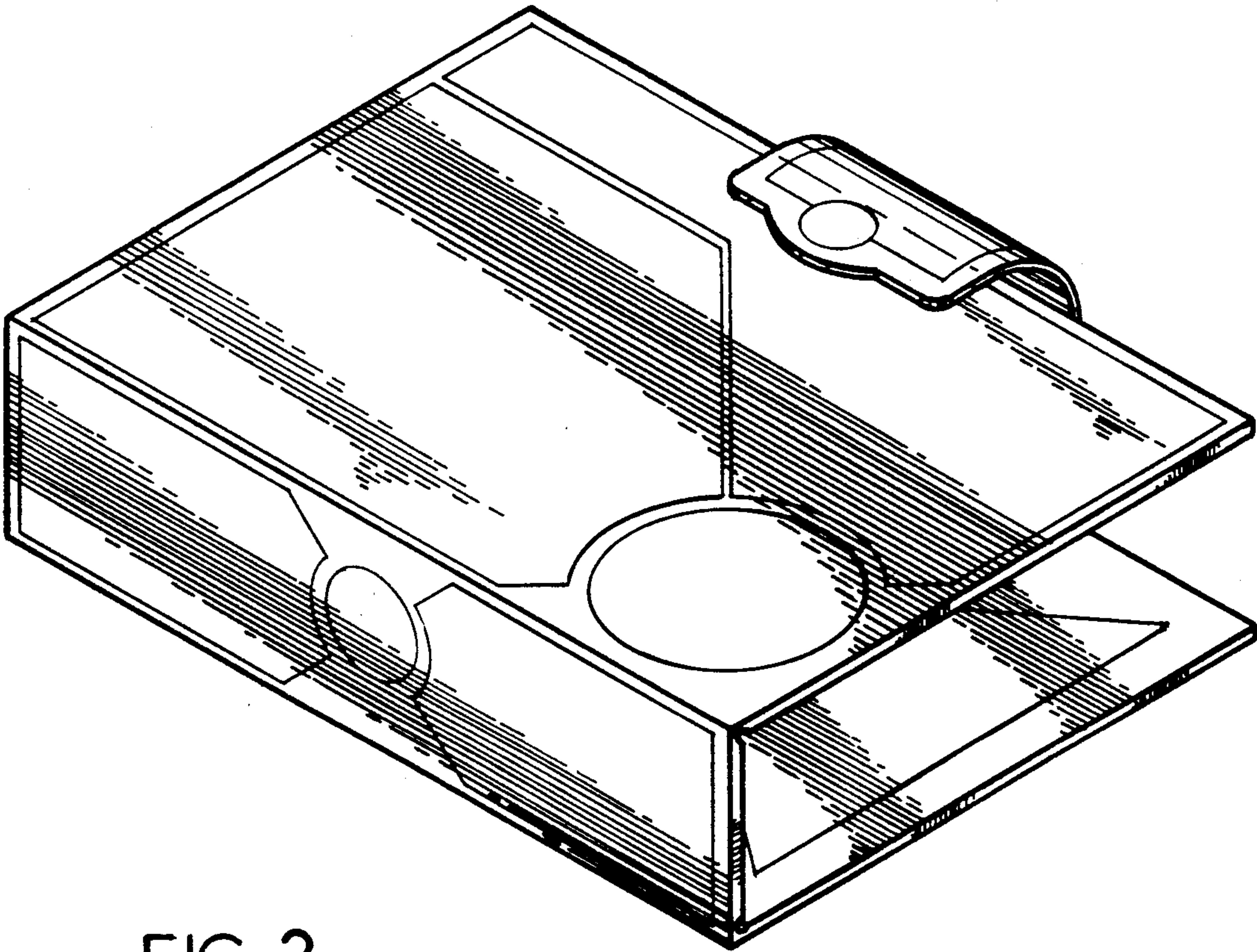


FIG. 2

FIG. 3

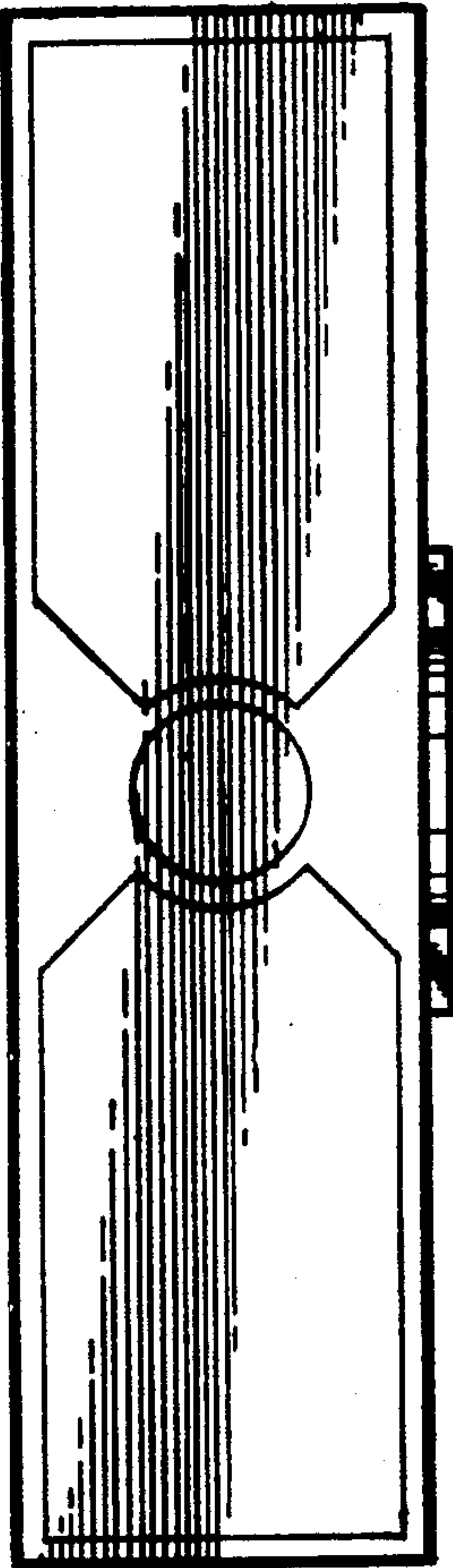


FIG. 4

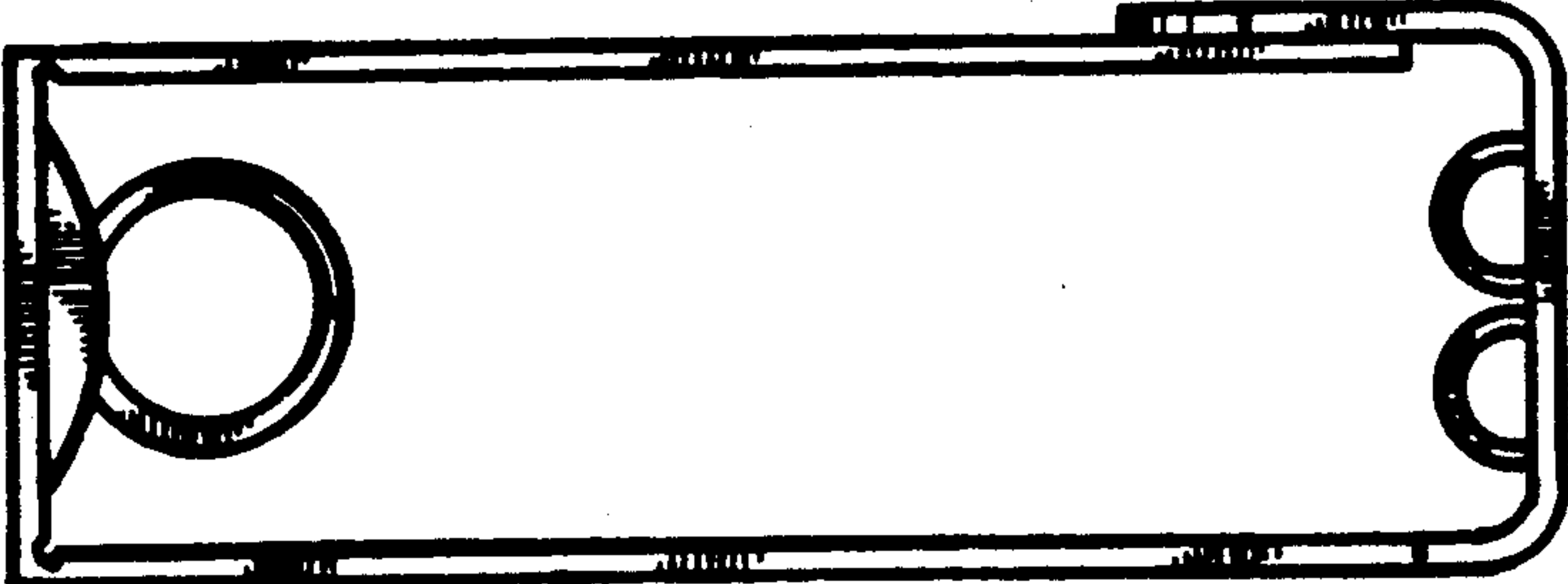
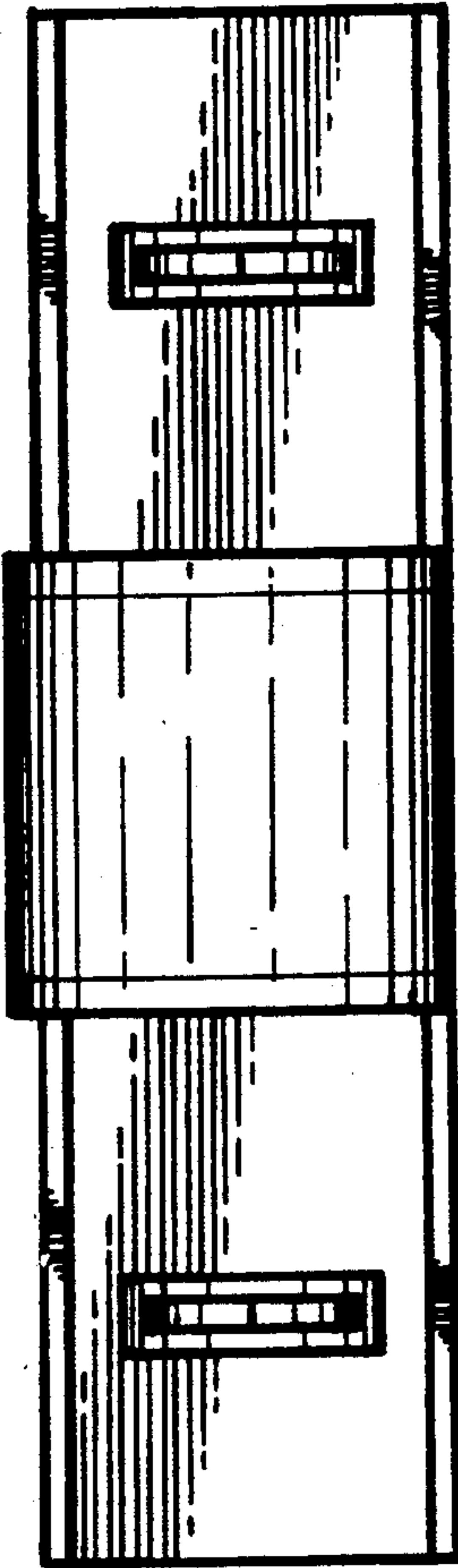


FIG. 5

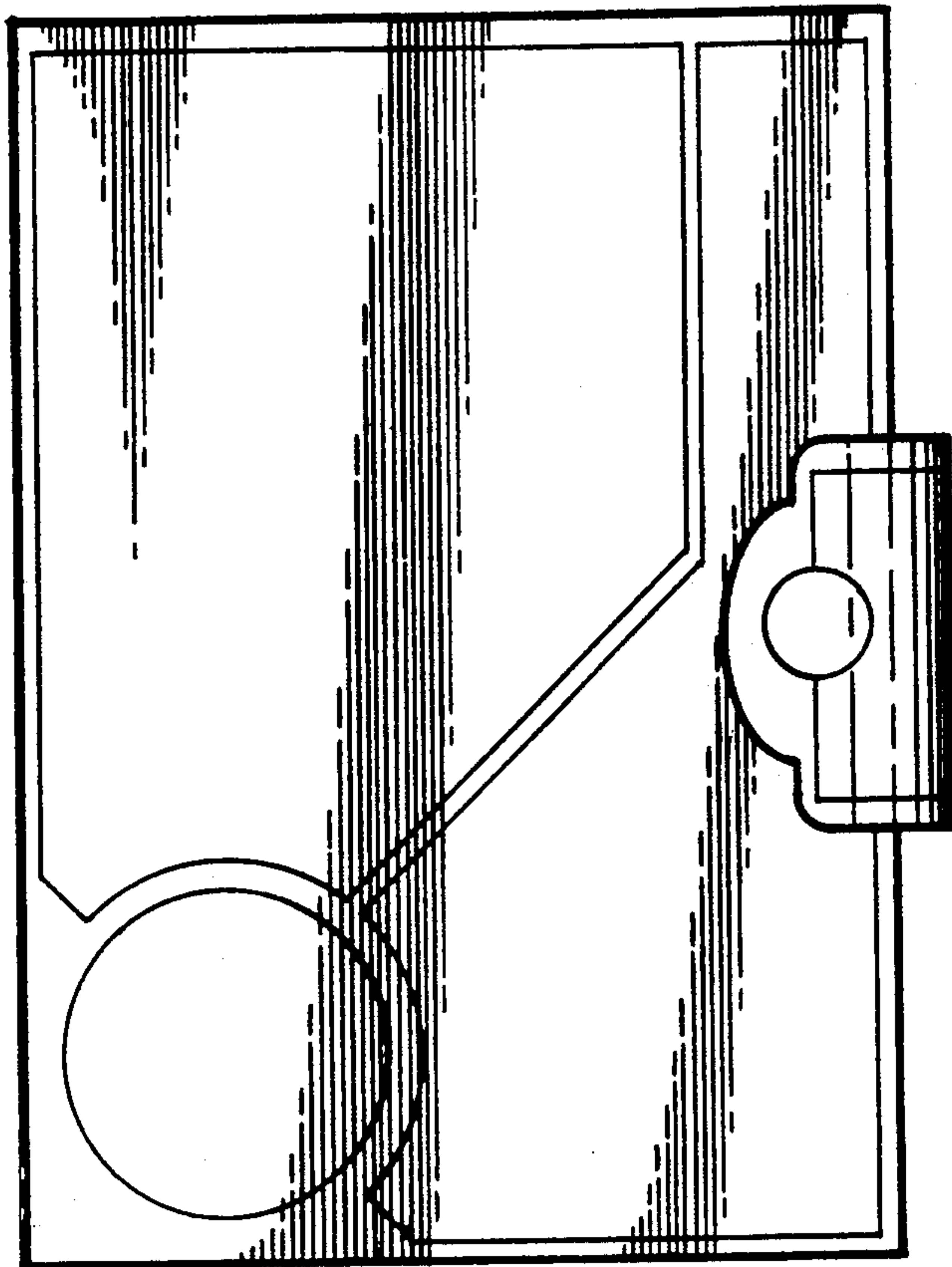


FIG. 6

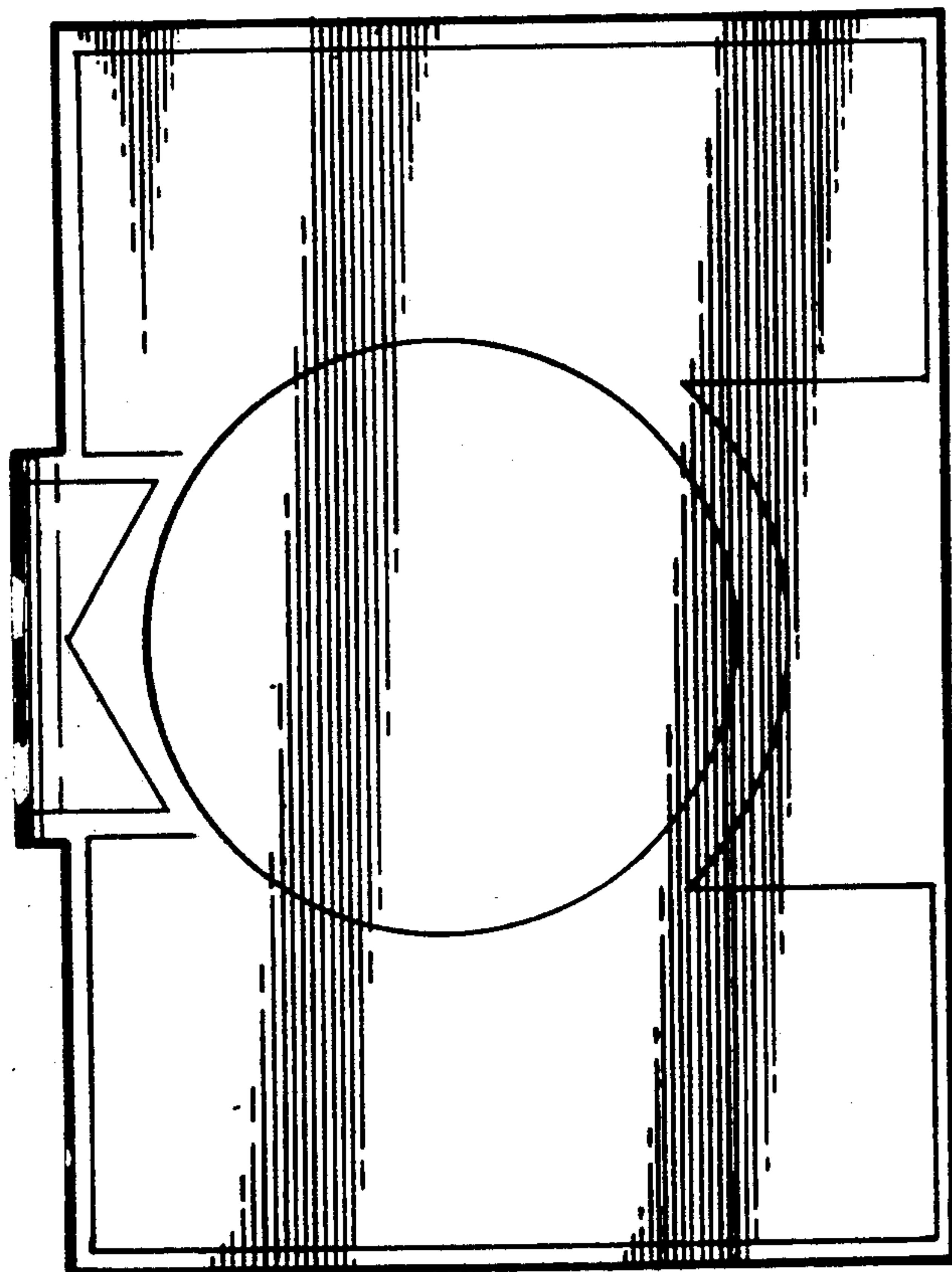


FIG. 7