



US00D324875S

United States Patent [19]

[11] Patent Number: **Des. 324,875**

Phillips

[45] Date of Patent: **** Mar. 24, 1992**

[54] **OPTICAL IMAGE BAR FOR AN ELECTROPHOTOGRAPHIC PRINTER**

[75] Inventor: **Norman J. Phillips, Pittsburgh, Pa.**

[73] Assignee: **Westinghouse Electric Corp., Pittsburgh, Pa.**

[**] Term: **14 Years**

[21] Appl. No.: **410,553**

[22] Filed: **Sep. 21, 1989**

[52] U.S. Cl. **D18/40; D18/56**

[58] Field of Search **D18/22, 56; 400/719; 346/107 R, 160, 76 PH, 155; 357/30; 355/1, 19, 45-47; 358/256, 300; 250/203 R, 216, 566, 568; 271/10**

[56] **References Cited**

U.S. PATENT DOCUMENTS

4,025,178	5/1977	Yokozawa et al.	271/10 X
4,535,341	8/1985	Kun et al.	346/107 R
4,549,784	10/1985	Inokuchi	355/1 X
4,633,271	12/1986	Segawa et al.	346/107 R
4,660,053	4/1987	Tsutsumi et al.	346/76 PH

4,703,334	10/1987	Mochimaru et al.	346/160
4,734,714	3/1988	Takasu et al.	346/107 R
4,734,723	3/1988	Ishitobi	346/160
4,821,051	4/1989	Hediger	346/160 X
4,829,321	5/1989	Iizuka et al.	346/107 R

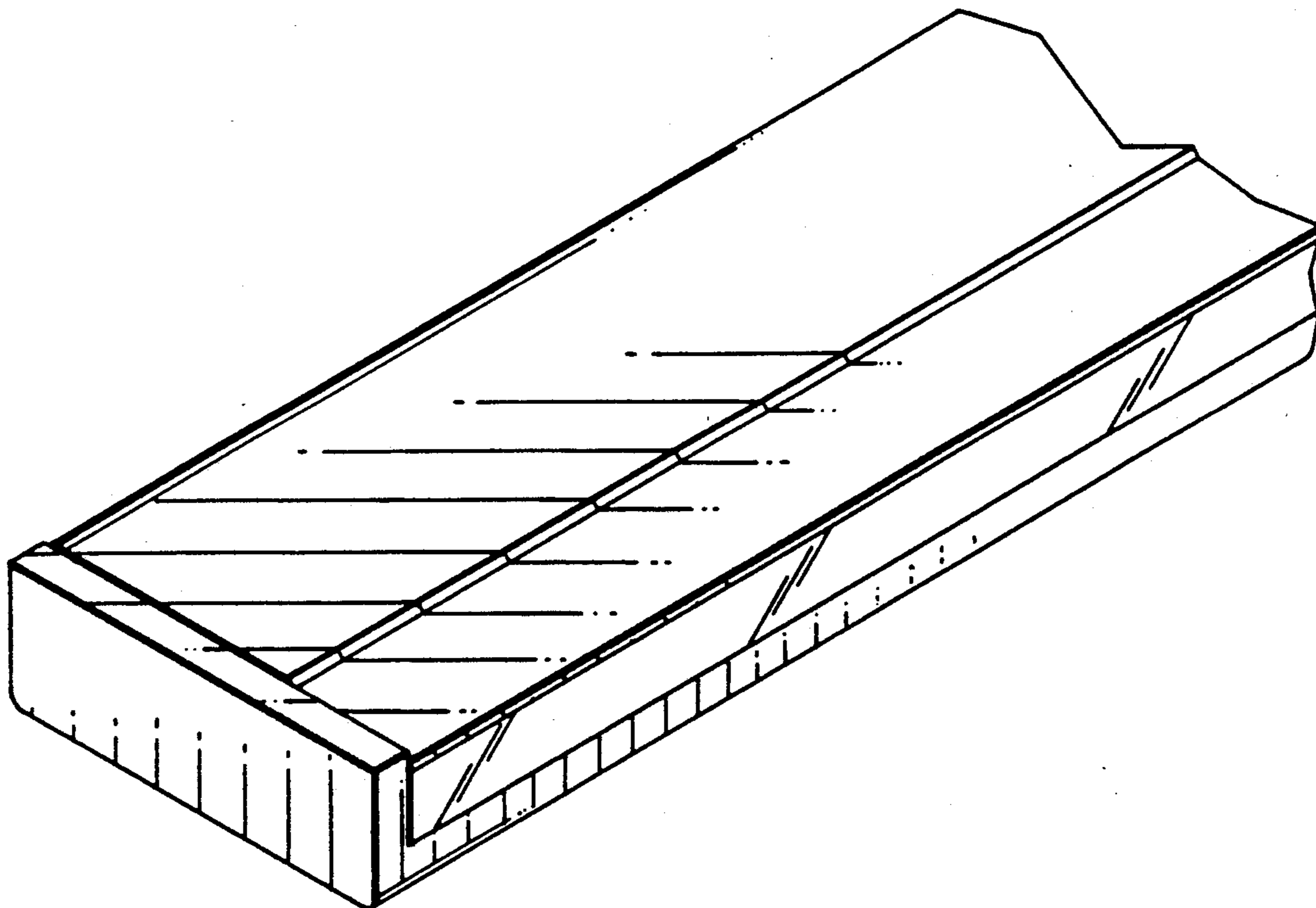
Primary Examiner—Wallace R. Burke
Assistant Examiner—Freda S. Nunn
Attorney, Agent, or Firm—John K. Williamson; Thomas H. Martin

[57] **CLAIM**

The ornamental design for a optical image bar for an electrophotographic printer, as shown and described.

DESCRIPTION

FIG. 1 is an enlarged partial perspective view of an optical image bar for an electrophotographic printer showing my new design and shown broken away for ease of illustration;
FIG. 2 is a reduced front elevational view thereof;
FIG. 3 is a top plan view thereof;
FIG. 4 is a left side elevational view thereof;
FIG. 5 is a right side elevational view thereof;
FIG. 6 is a rear elevational view thereof; and,
FIG. 7 is a bottom plan view thereof.



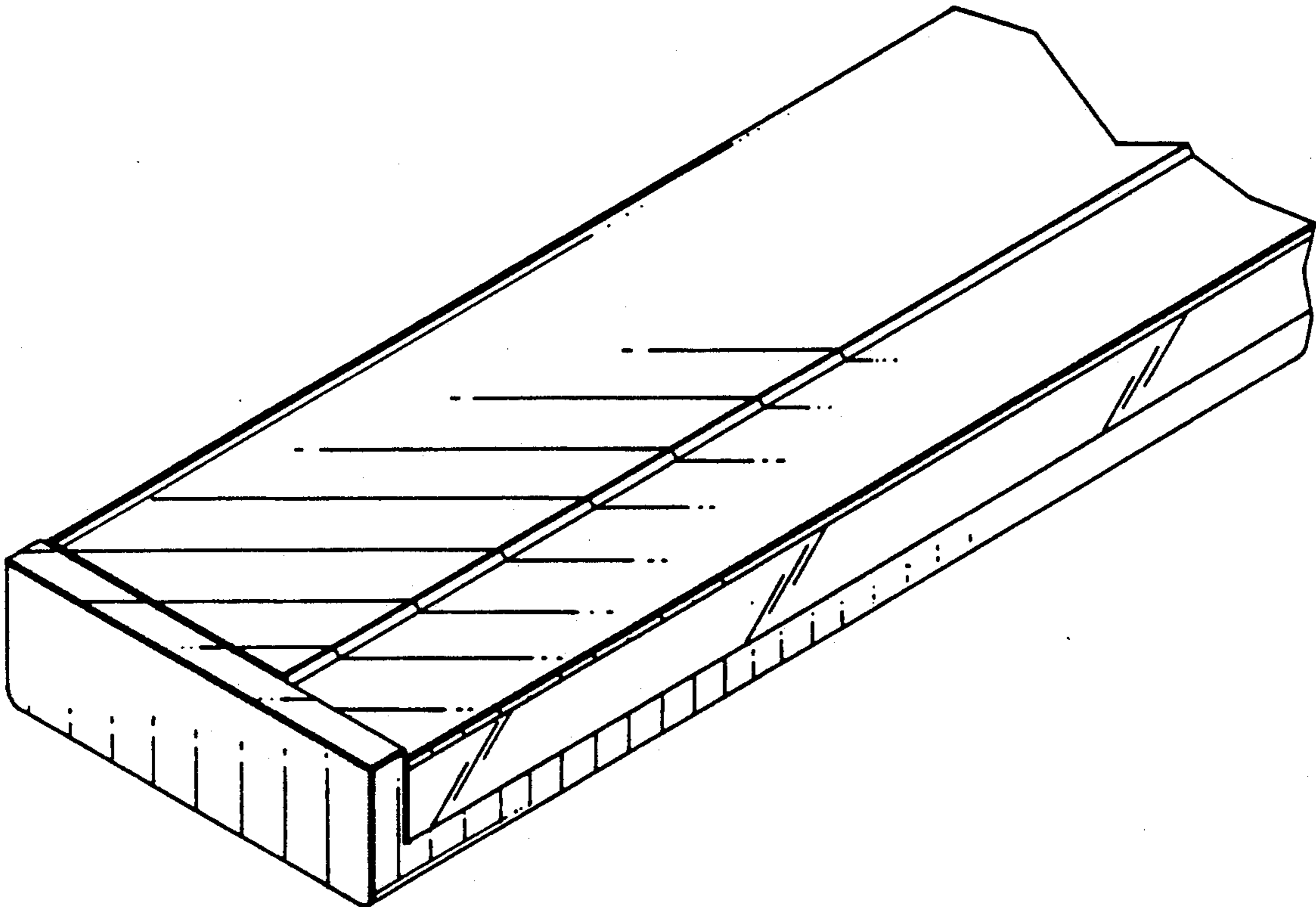


FIG. 1



FIG. 6

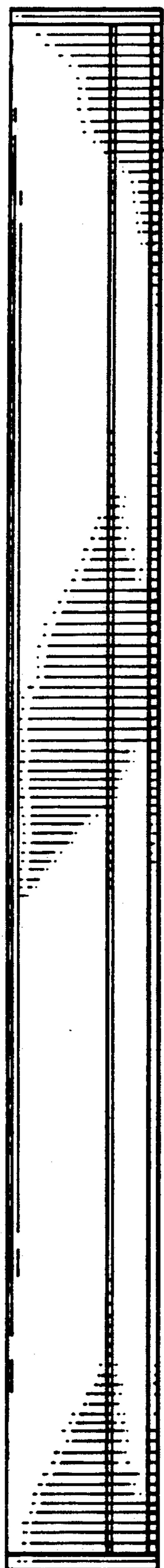


FIG. 3



FIG. 2

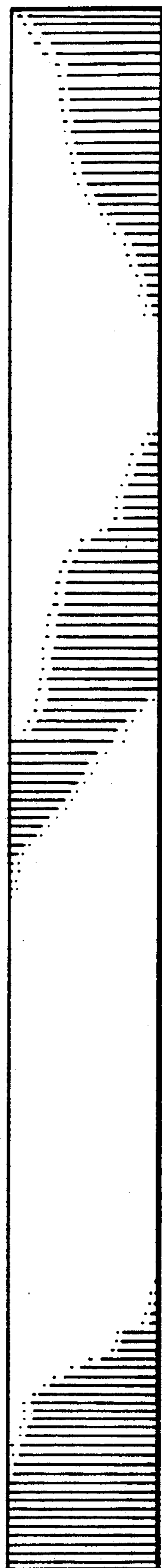


FIG. 7



FIG. 4

FIG. 5