



US00D324869S

United States Patent [19]

Carper

[11] Patent Number: **Des. 324,869**

[45] Date of Patent: **** Mar. 24, 1992**

[54] **MANUAL DISPENSING ICE STORAGE CONTAINER**

[75] Inventor: **Dwight A. Carper, Stevensville, Mich.**

[73] Assignee: **Whirlpool Corporation, Benton Harbor, Mich.**

[**] Term: **14 Years**

[21] Appl. No.: **526,613**

[22] Filed: **May 21, 1990**

3,570,720	3/1971	Curry, III .	
3,902,331	9/1975	True, Jr. et al.	62/137
4,084,725	4/1978	Buchser .	
4,627,556	12/1986	Brooks .	
4,641,763	2/1987	Lander et al.	222/129.1
4,942,979	7/1990	Linstromberg et al.	62/340

Primary Examiner—Melvin B. Feifer
Assistant Examiner—Sandra Morris
Attorney, Agent, or Firm—Wood, Phillips, Mason, Recktenwald & Van Santen

[57] CLAIM

The ornamental design for a manual dispensing ice storage container, as shown and described.

Related U.S. Application Data

[63] Continuation-in-part of Ser. No. 479,217, Feb. 12, 1990, Pat. No. 4,997,109, which is a continuation of Ser. No. 201,628, Jun. 2, 1988, abandoned.

[52] U.S. Cl. **D15/90**

[58] Field of Search D15/79, 89, 90; 62/137, 62/340, 457.9; 222/129.1, 146.1, 146.6; 241/282.1, DIG. 17

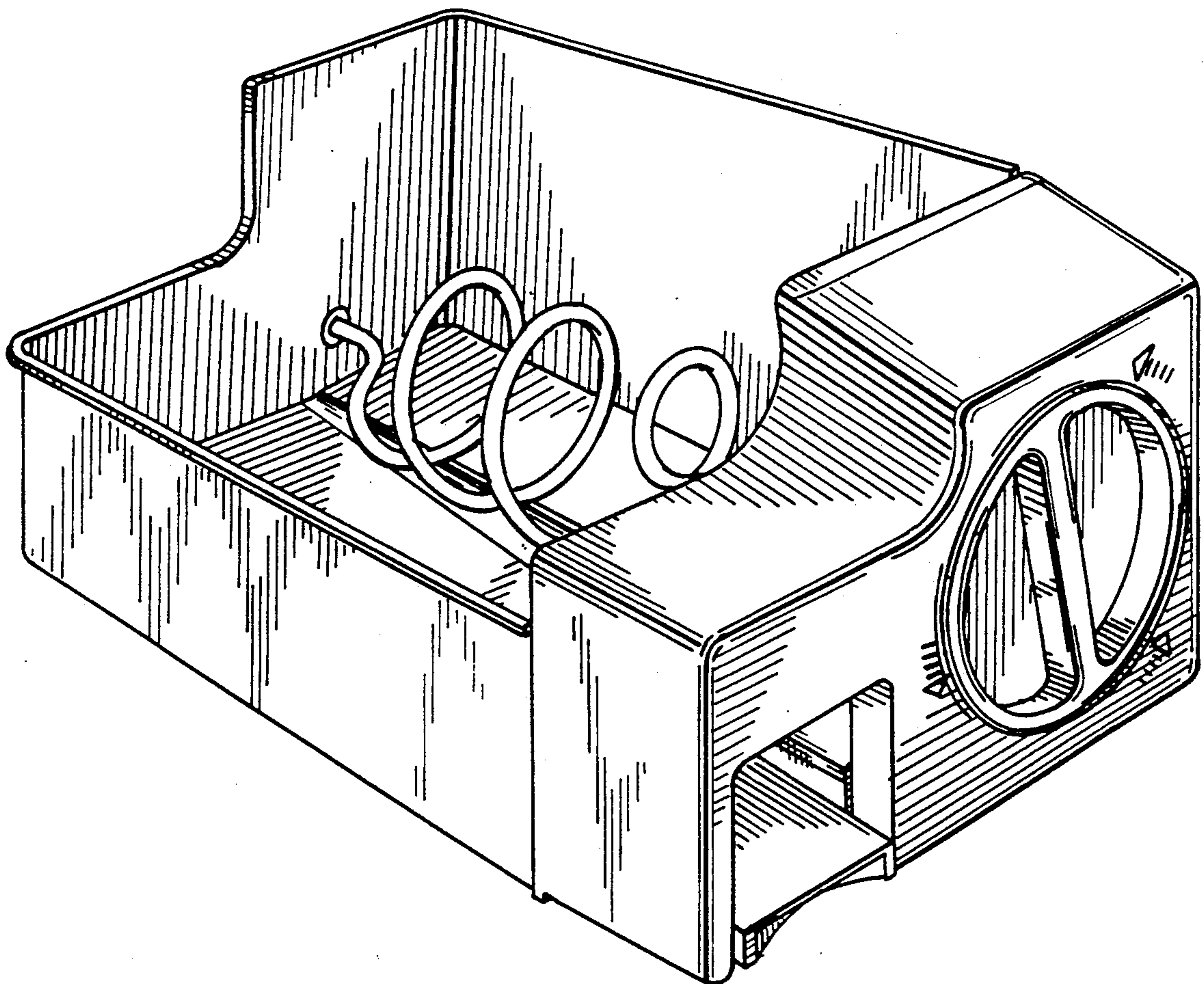
DESCRIPTION

FIG. 1 is a front, upper perspective view of a manual dispensing ice storage container, showing my new design; FIG. 2 is a rear, lower perspective view thereof; FIG. 3 is a front elevational view thereof; FIG. 4 is a rear elevational view thereof; FIG. 5 is a top plan view thereof; FIG. 6 is a left side elevational view thereof; FIG. 7 is a right side elevational view thereof; and, FIG. 8 is a bottom plan view thereof.

References Cited

U.S. PATENT DOCUMENTS

3,514,964 6/1970 Dodge, III et al. 62/137



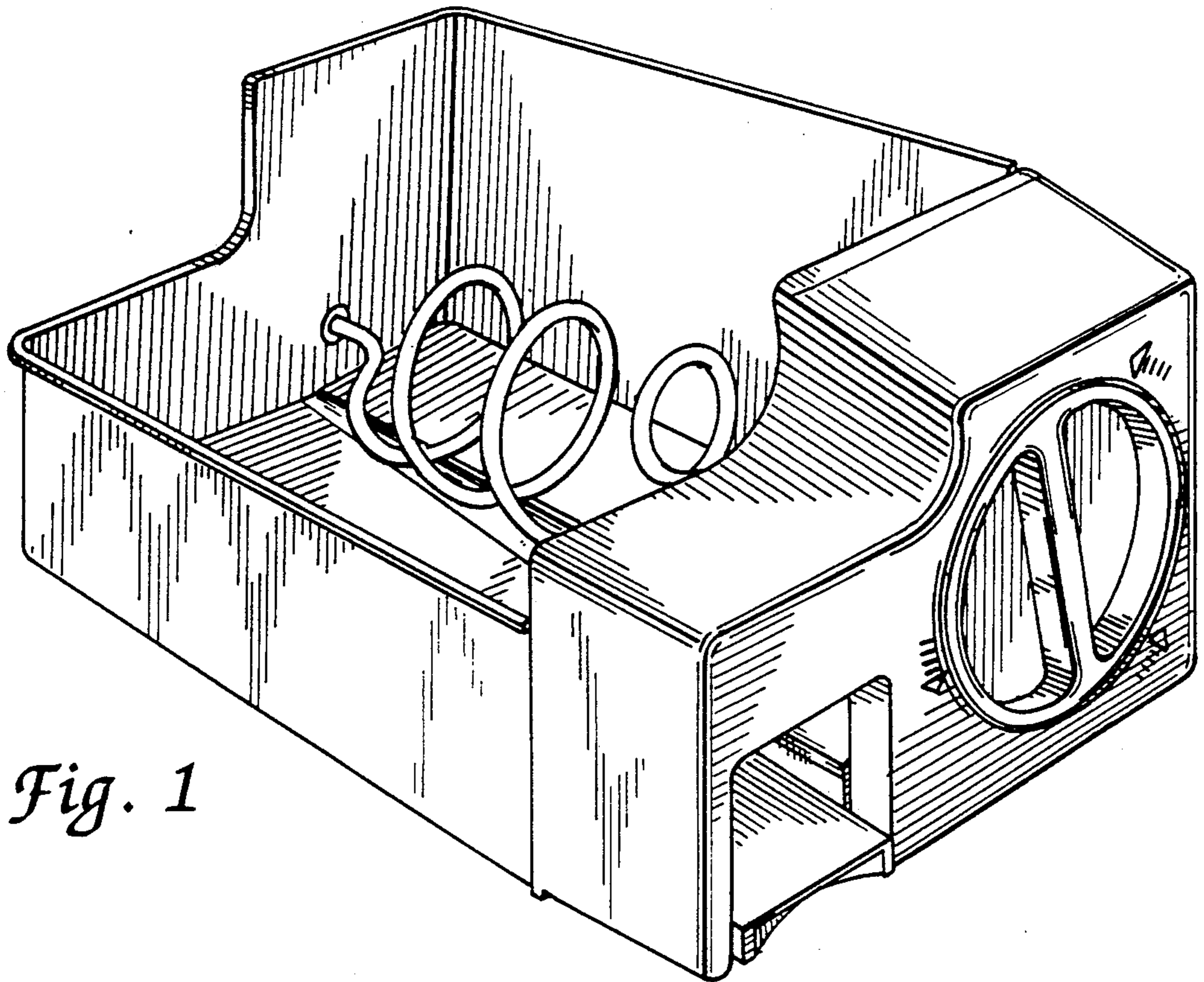


Fig. 1

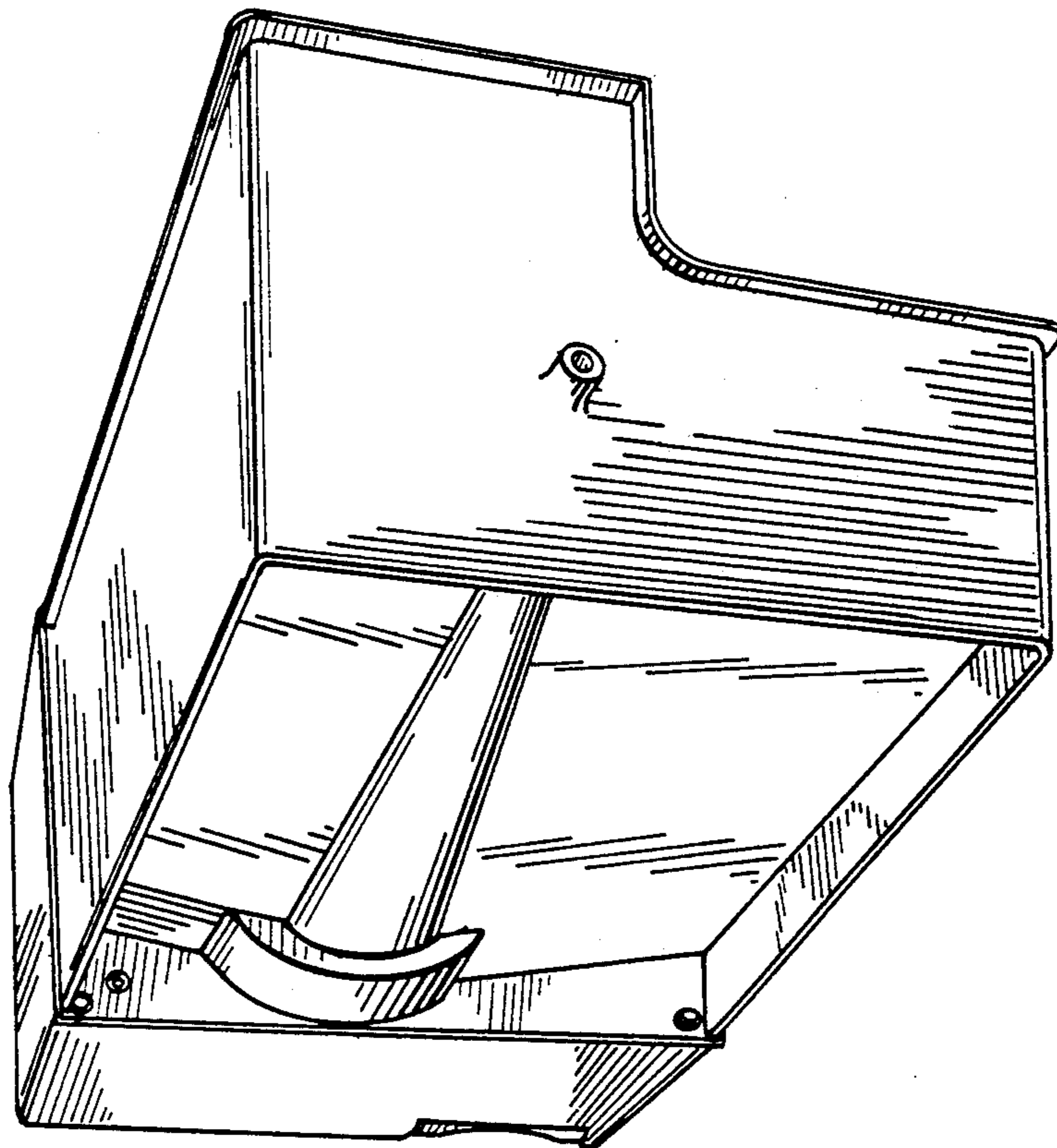


Fig. 2

Fig. 3

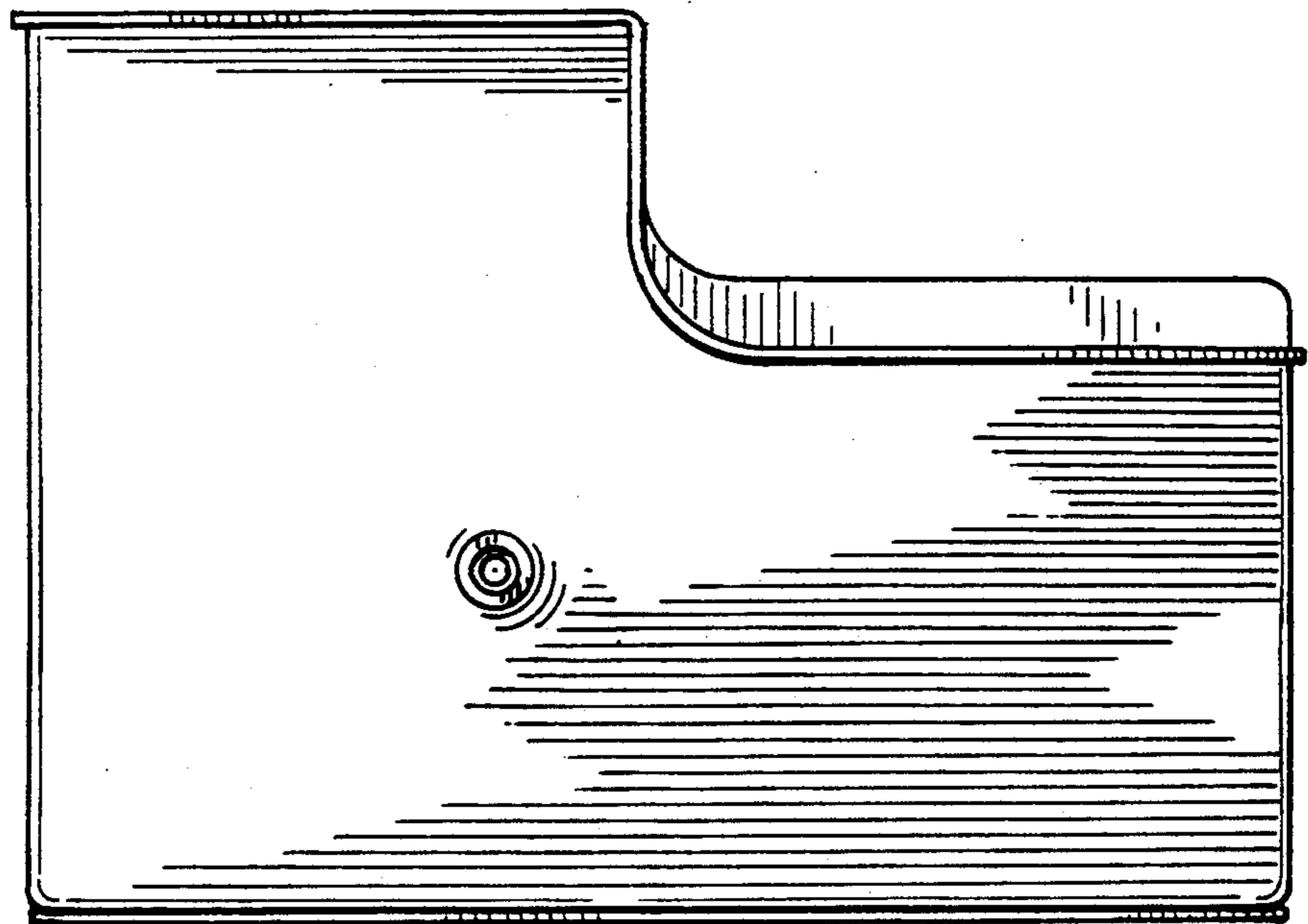
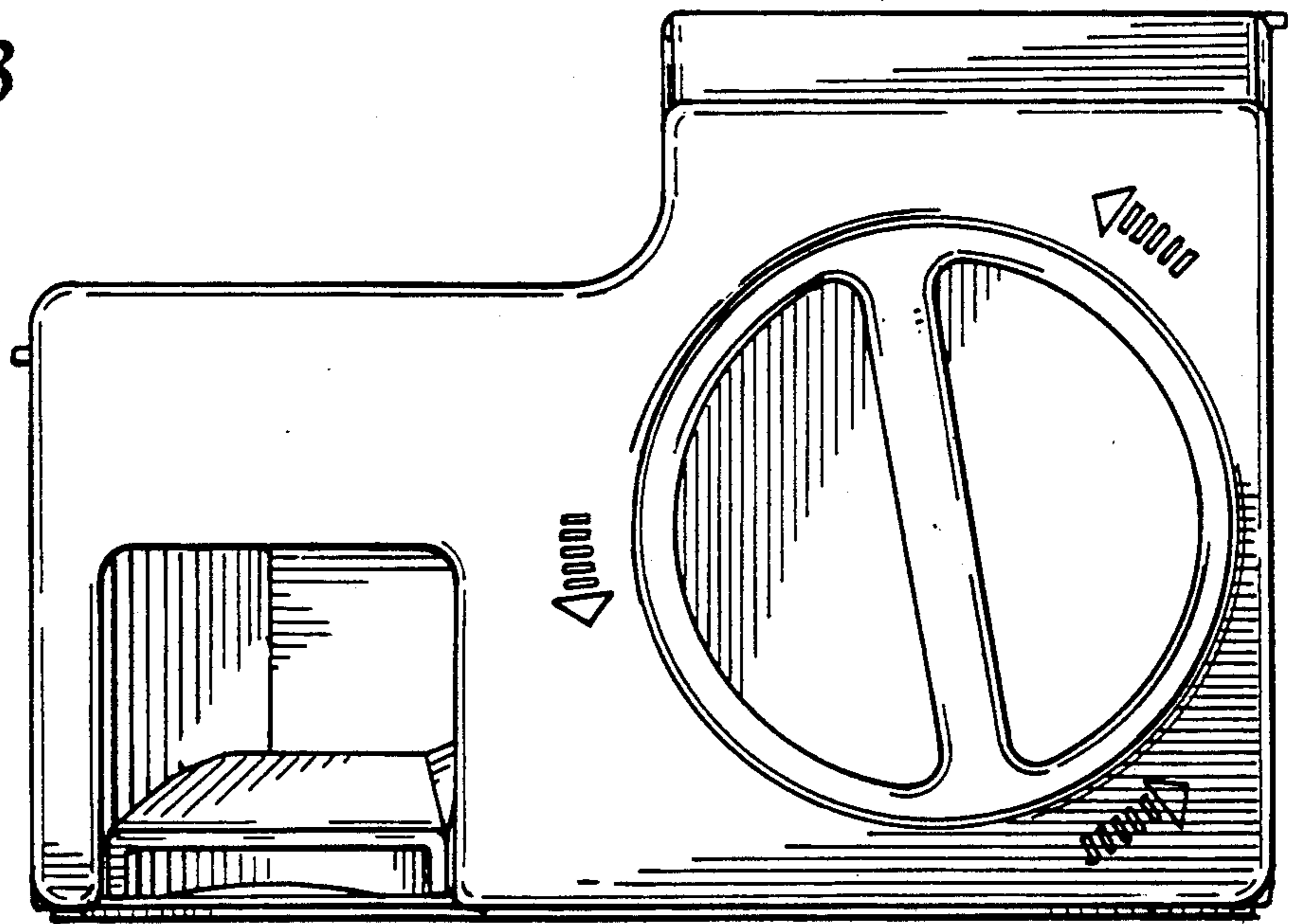


Fig. 4

Fig. 5

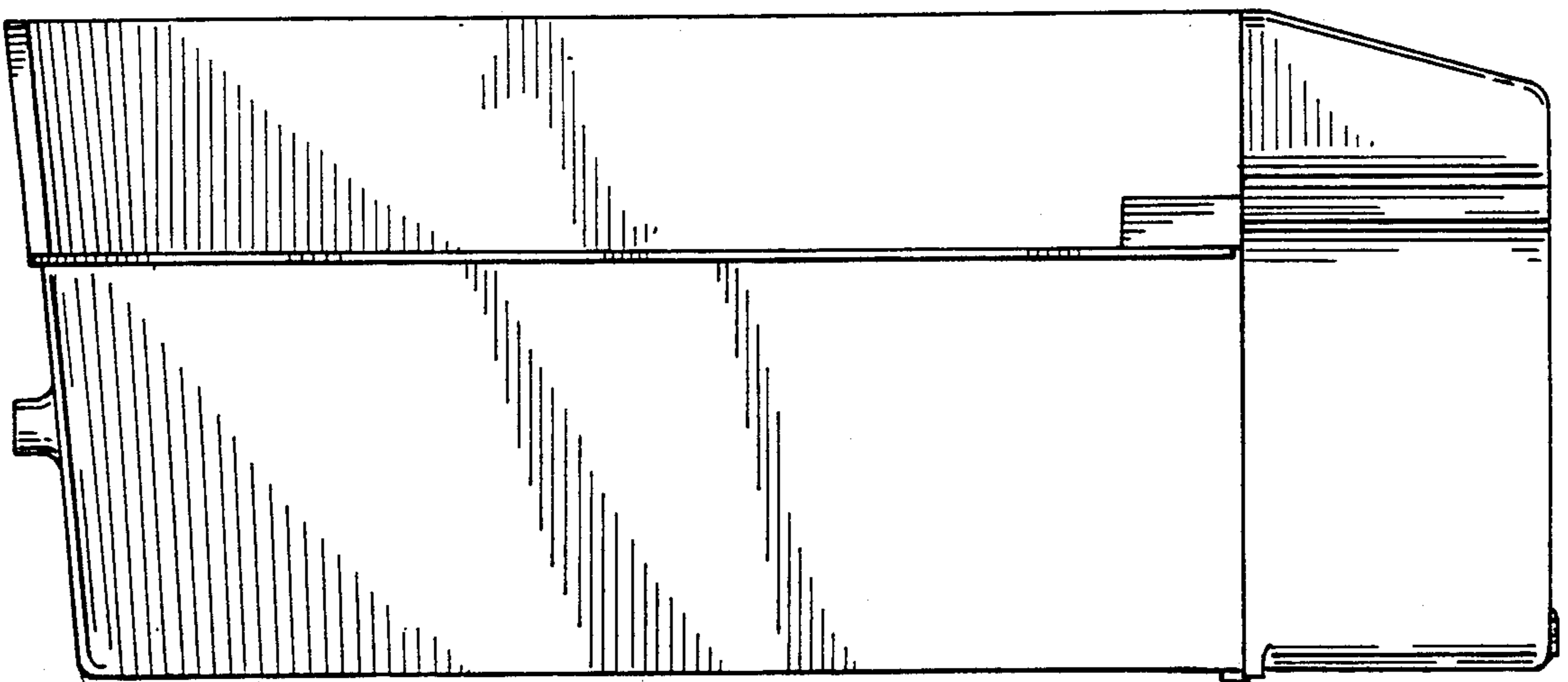
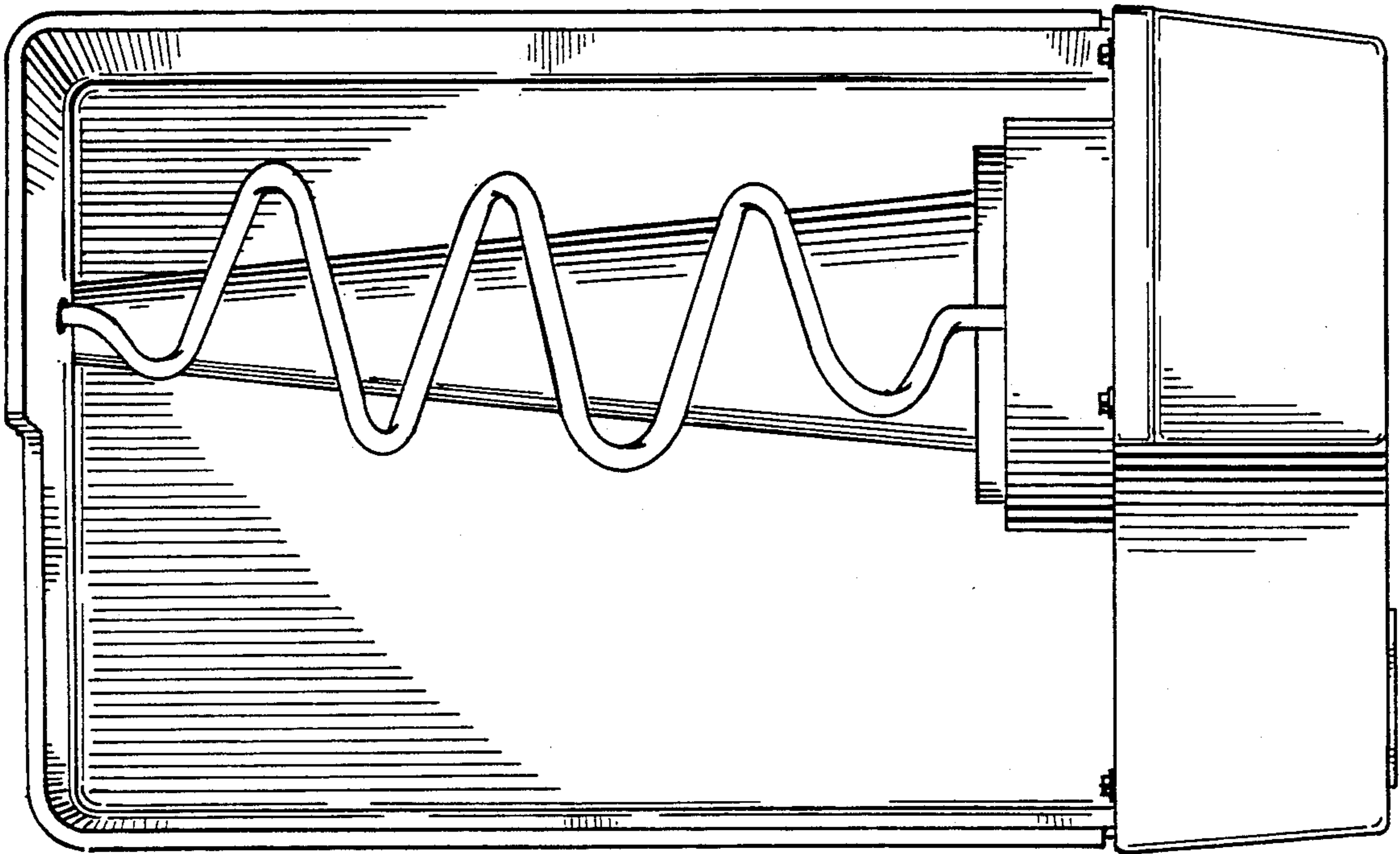


Fig. 6

Fig. 7

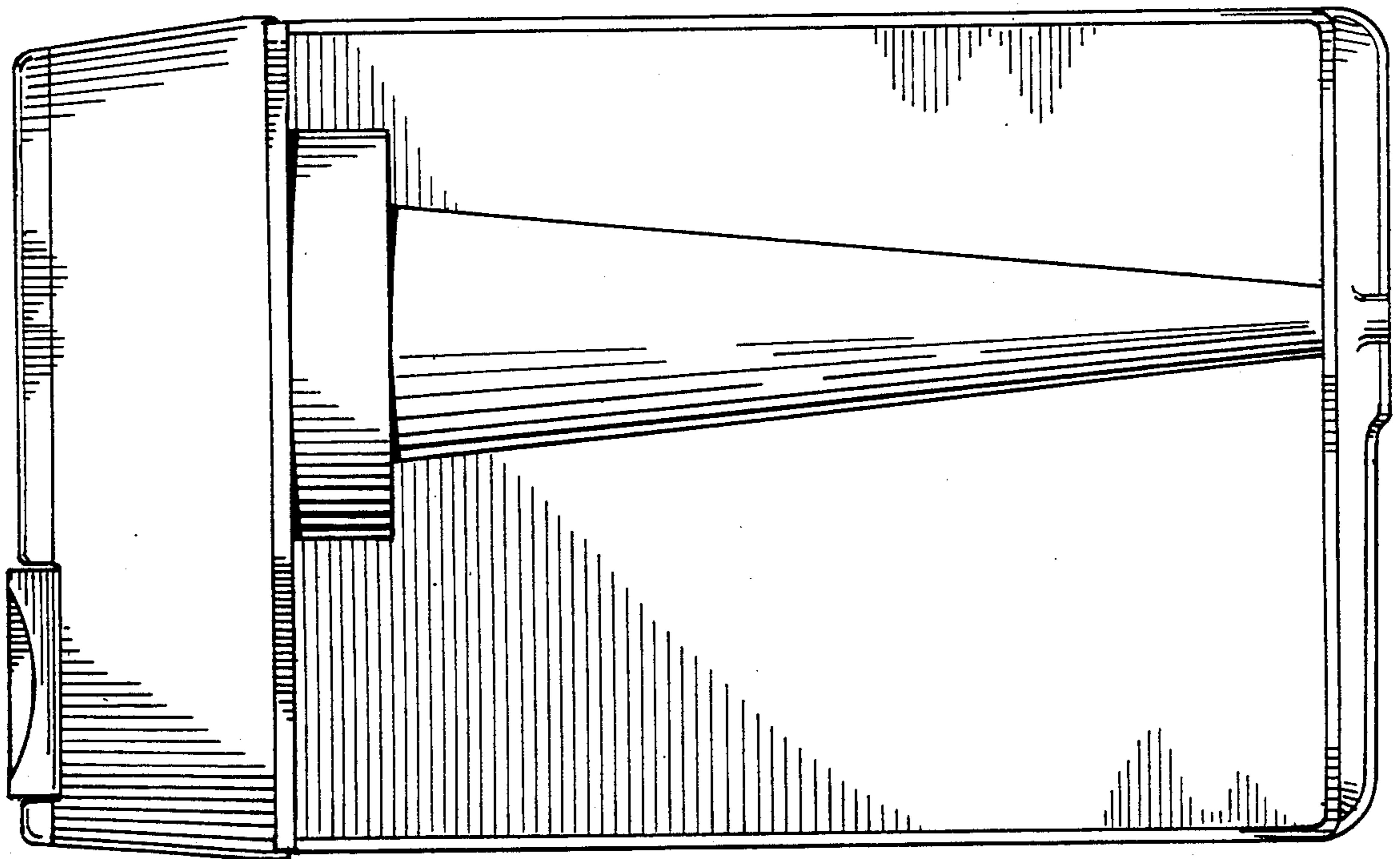
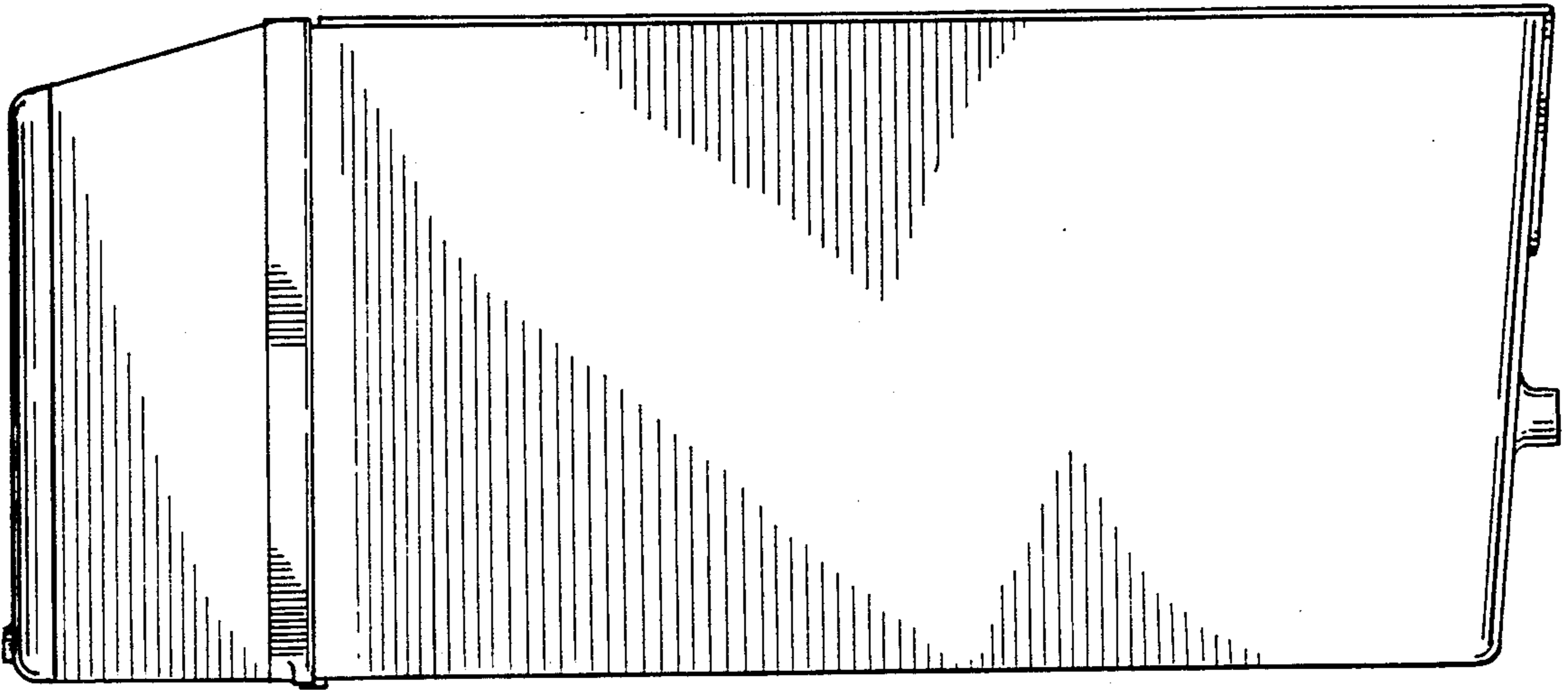


Fig. 8