



US00D324862S

United States Patent [19]

[11] Patent Number: **Des. 324,862**

Garmon

[45] Date of Patent: **** Mar. 24, 1992**

[54] **FRONT PANEL FOR OPTICAL DISK DRIVE**

[76] Inventor: **Vincent S. Garmon**, 6829 Alden Ridge Dr., Boynton Beach, Fla. 33437

[**] Term: **14 Years**

[21] Appl. No.: **605,873**

[22] Filed: **Oct. 26, 1990**

[52] U.S. Cl. **D14/115**

[58] Field of Search D14/100, 101, 102, 105, D14/106-109, 114, 115; D13/162, 184, 199; D6/492, 494; 360/97.01-99.12; 361/330-335, 380-385, 390-395; 312/208

[56] **References Cited**

U.S. PATENT DOCUMENTS

D. 284,664	7/1986	Davis et al.	D14/100
D. 289,056	3/1987	Davis et al.	D14/100
D. 292,515	10/1987	Martin	D14/100
D. 293,443	12/1987	Davis et al.	D14/100

D. 293,444	12/1987	Garmon	D14/100
D. 295,910	1/1988	Alfonso et al.	D14/100
D. 297,893	10/1988	Garmon	D6/494
D. 298,252	10/1988	Sapper	D14/109 X
D. 304,333	10/1989	Kerezman et al.	D14/115 X
D. 306,438	3/1990	Garmon et al.	D14/115

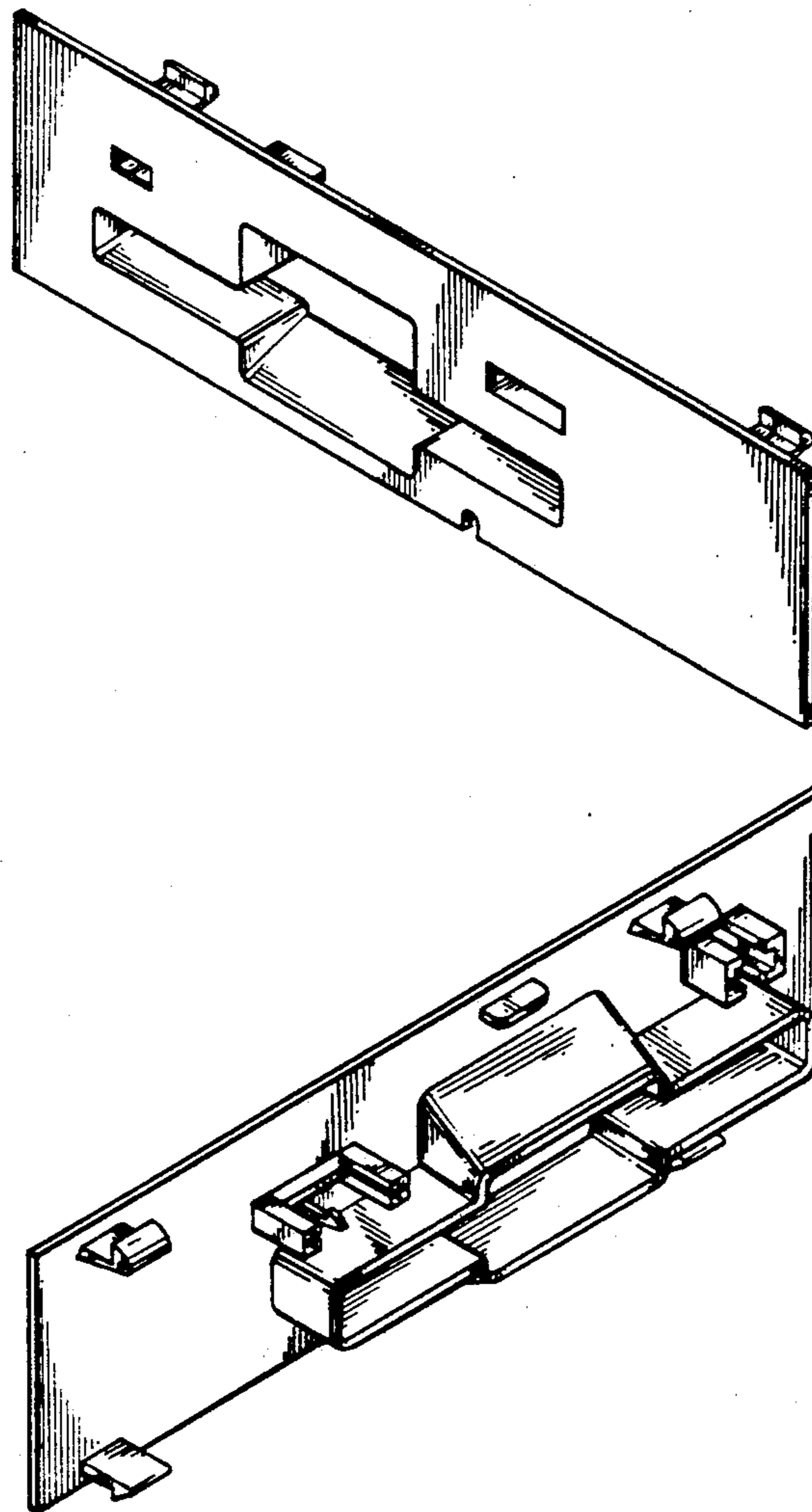
Primary Examiner—Wallace R. Burke
Assistant Examiner—Freda S. Nunn
Attorney, Agent, or Firm—Daniel E. McConnell

[57] **CLAIM**

The ornamental design for a front panel for optical disk drive, as shown.

DESCRIPTION

FIG. 1 is a right top front perspective view of a front panel for optical disk drive showing my new design; FIG. 2 is a front elevational view thereof; FIG. 3 is a left top rear perspective view thereof; FIG. 4 is a left side elevational view thereof; FIG. 5 is a right side elevational view thereof; FIG. 6 is a top plan view thereof; and, FIG. 7 is a bottom plan view thereof.



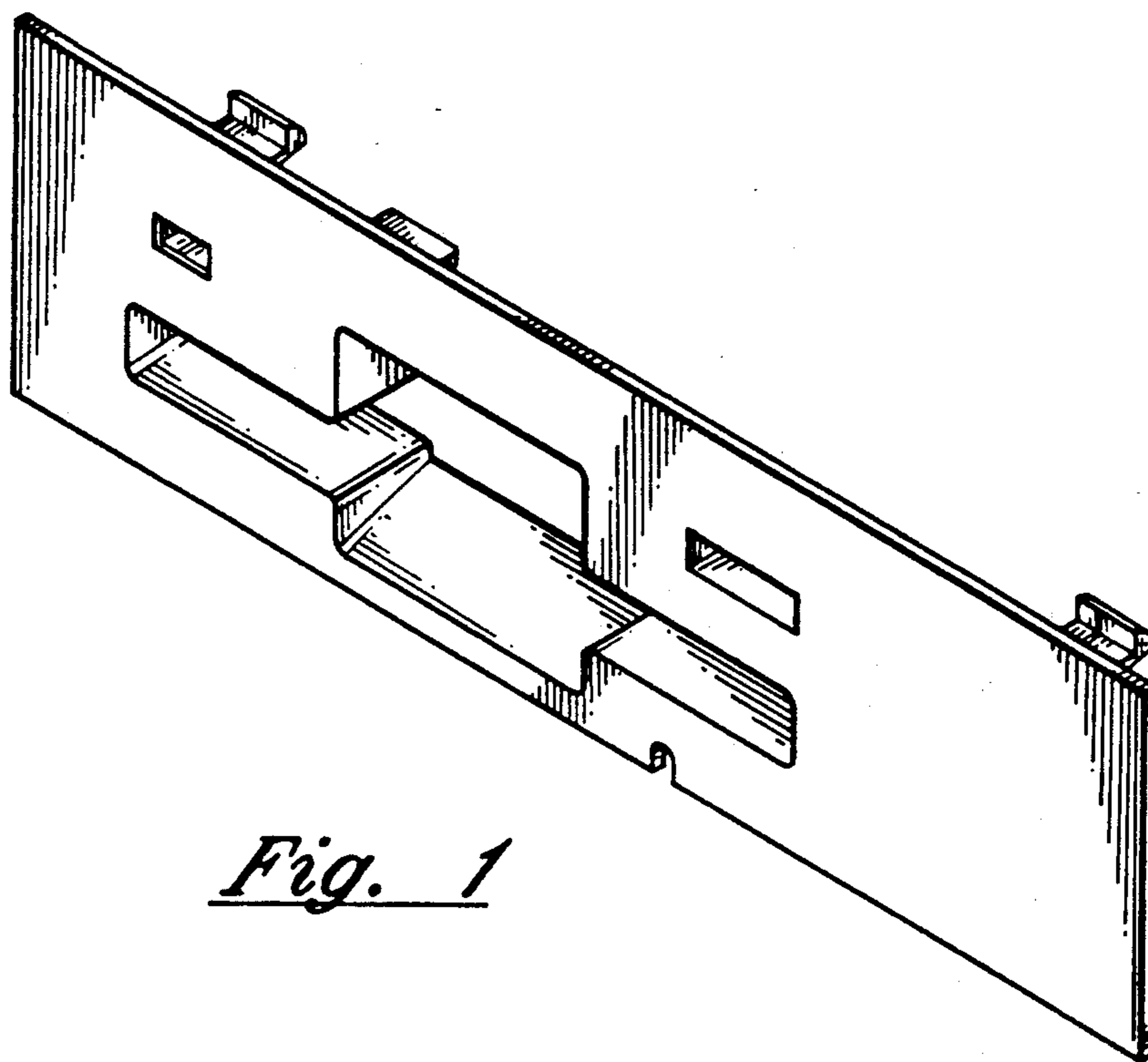


Fig. 1

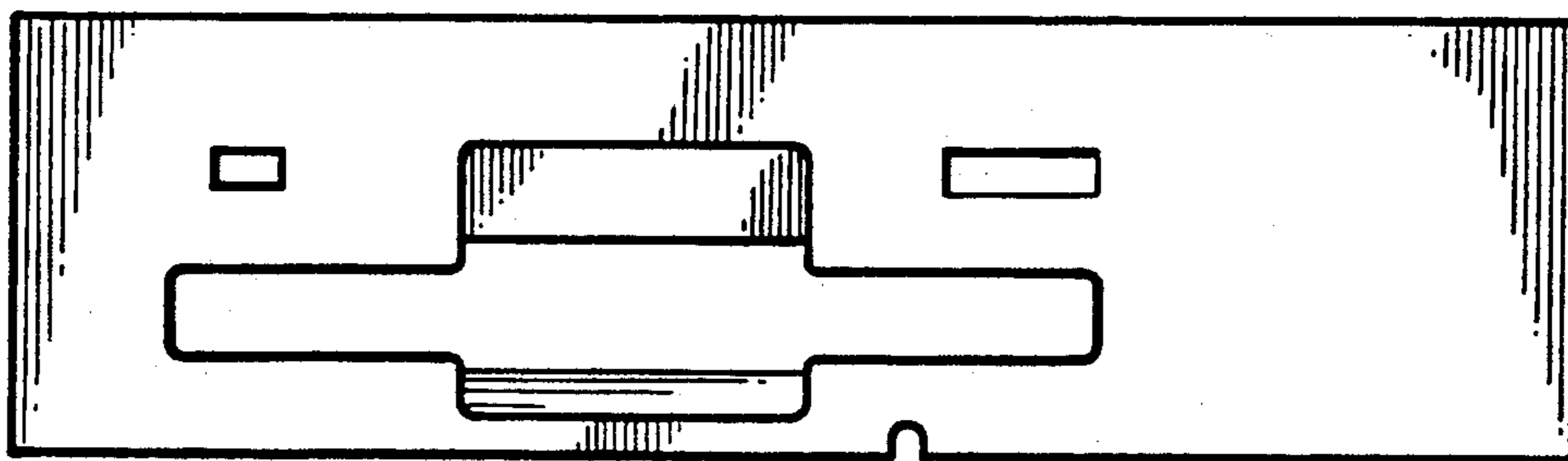


Fig. 2

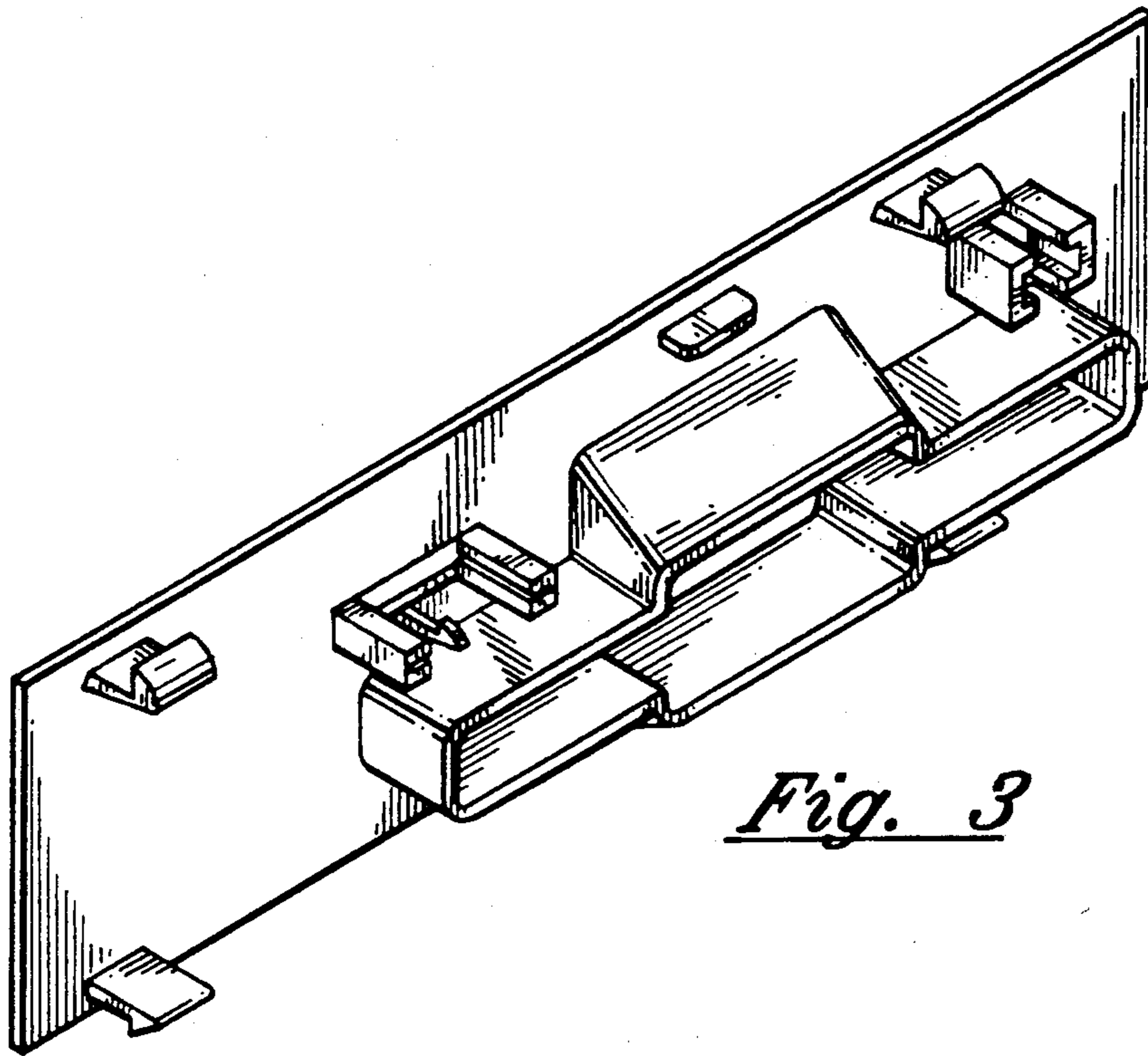


Fig. 3

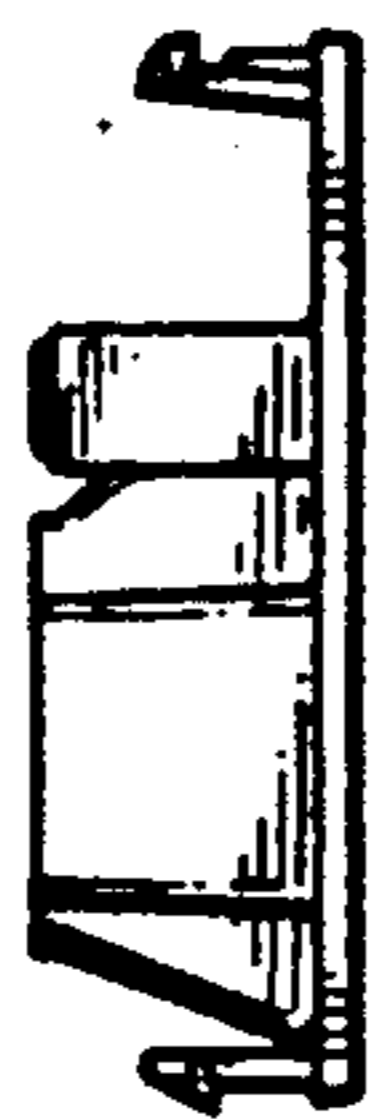


Fig. 4



Fig. 5



Fig. 6



Fig. 7