



US00D324859S

United States Patent [19]

[11] Patent Number: **Des. 324,859**

Ansell et al.

[45] Date of Patent: **** Mar. 24, 1992**

[54] **FLOPPY DISC DRIVE BEZEL**

[75] Inventors: **Daniel F. Ansell, Coral Springs;**
Vincent S. Garmon, Boynton Beach;
Graham M. White, Boca Raton, all of
Fla.

D. 298,252 10/1988 Sapper D14/115
D. 300,930 5/1989 Kerezman et al. D14/115
D. 304,333 10/1989 Kerezman et al. D14/114
D. 306,438 3/1990 Garmon et al. D14/115
D. 315,339 3/1991 Yang D14/115

[73] Assignee: **International Business Machines**
Corp., Armonk, N.Y.

Primary Examiner—Wallace R. Burke
Assistant Examiner—Freda S. Nunn
Attorney, Agent, or Firm—Daniel E. McConnell

[**] Term: **14 Years**

[57] **CLAIM**

[21] Appl. No.: **524,995**

The ornamental design for a floppy disc drive bezel, as shown.

[22] Filed: **May 18, 1990**

[52] U.S. Cl. **D14/115**

DESCRIPTION

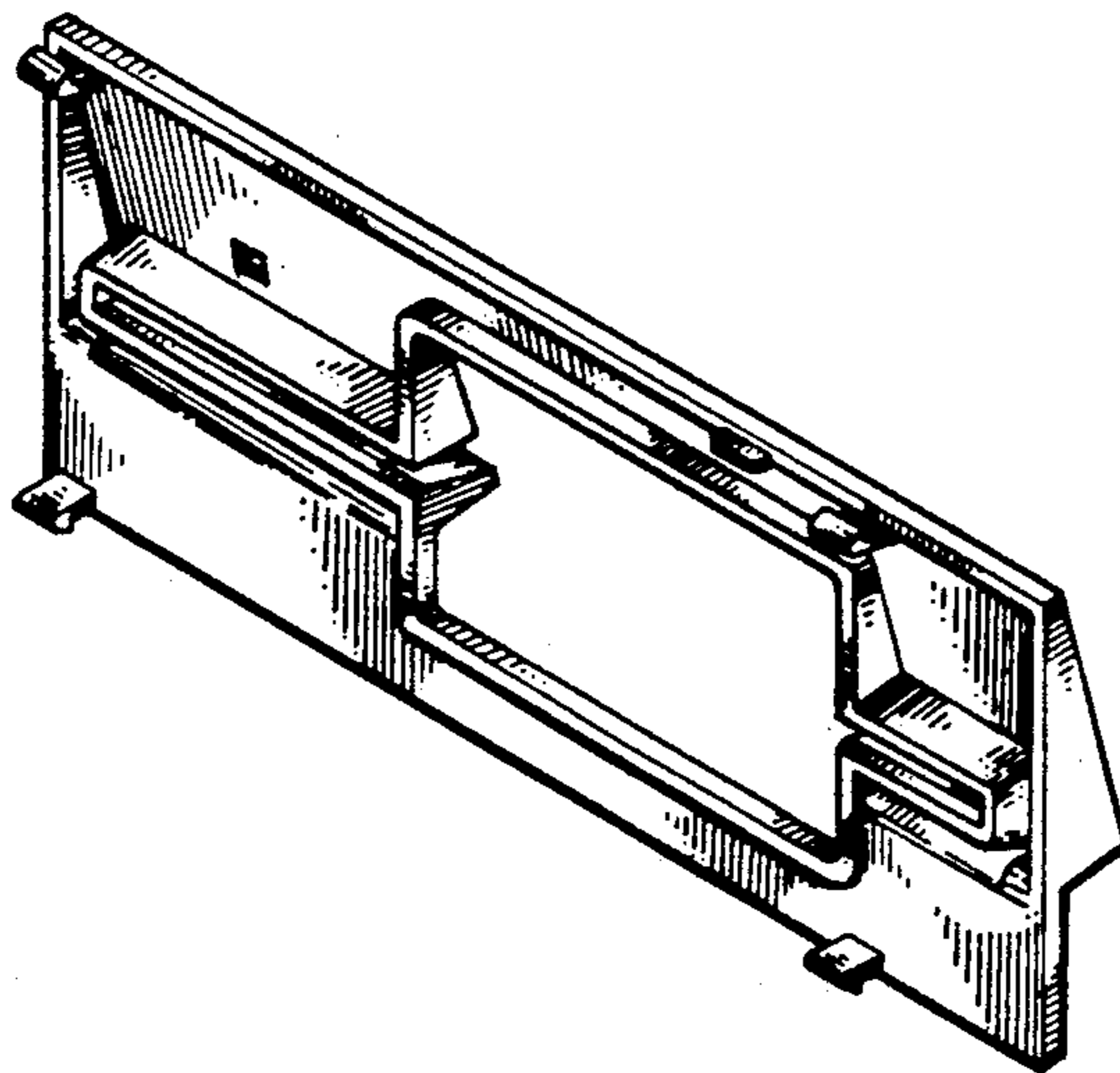
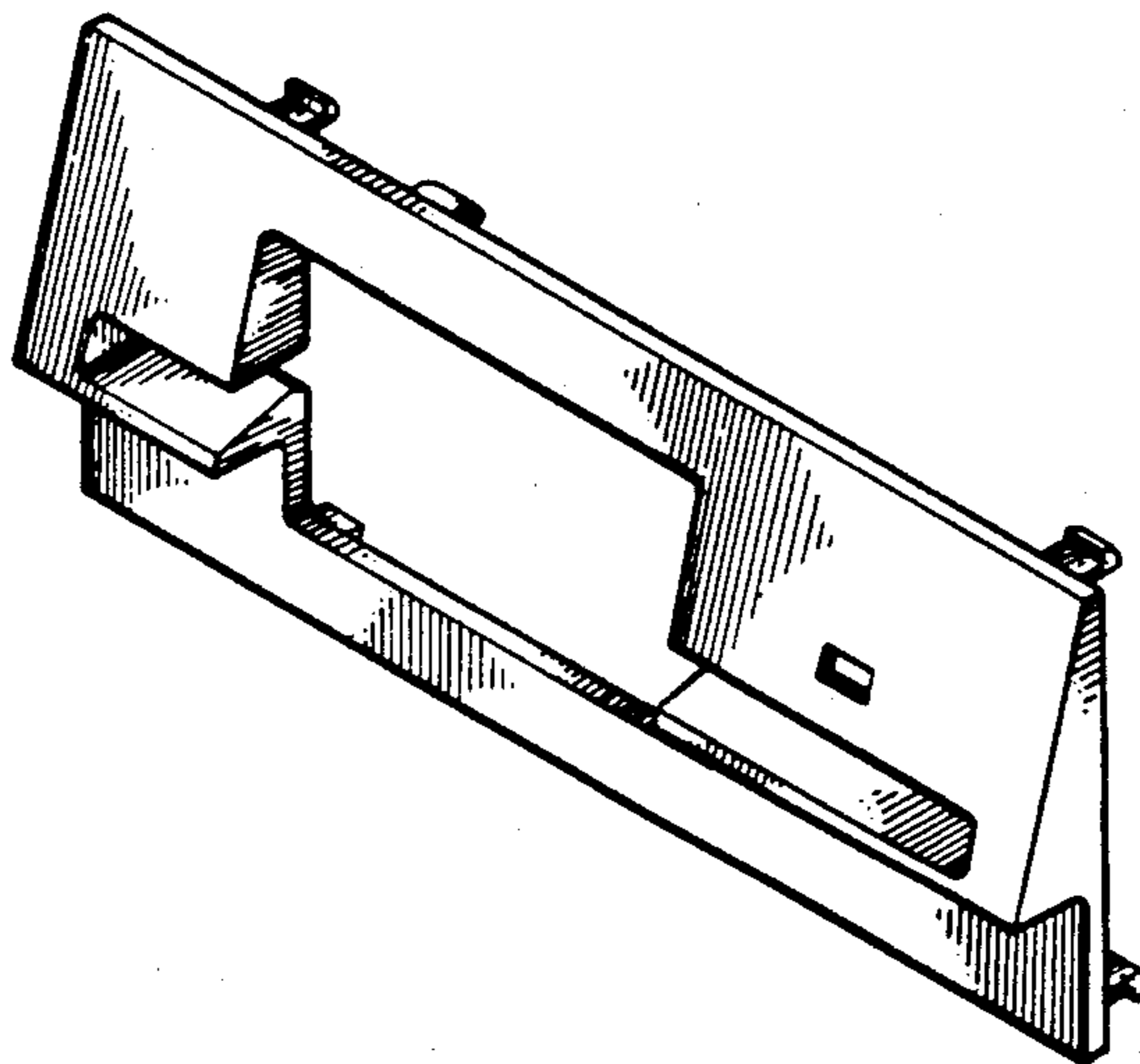
[58] Field of Search **D14/100, 101, 102, 105,**
D14/106, 107, 108, 109, 114, 115;
360/97.01-99.12, 132, 133; 174/52.1; 312/208;
361/380-385, 390-395; D13/199, 184; D6/494

FIG. 1 is a right, top, front perspective view of the floppy disc drive bezel showing our new design; **FIG. 2** is a front elevational view thereof; **FIG. 3** is a left, top, rear perspective view thereof; **FIG. 4** is a right side elevational view thereof; **FIG. 5** is a left side elevational view thereof; **FIG. 6** is a top plan view thereof; and, **FIG. 7** is a bottom plan view thereof.

[56] **References Cited**

U.S. PATENT DOCUMENTS

D. 297,893 10/1988 Garmon D6/494



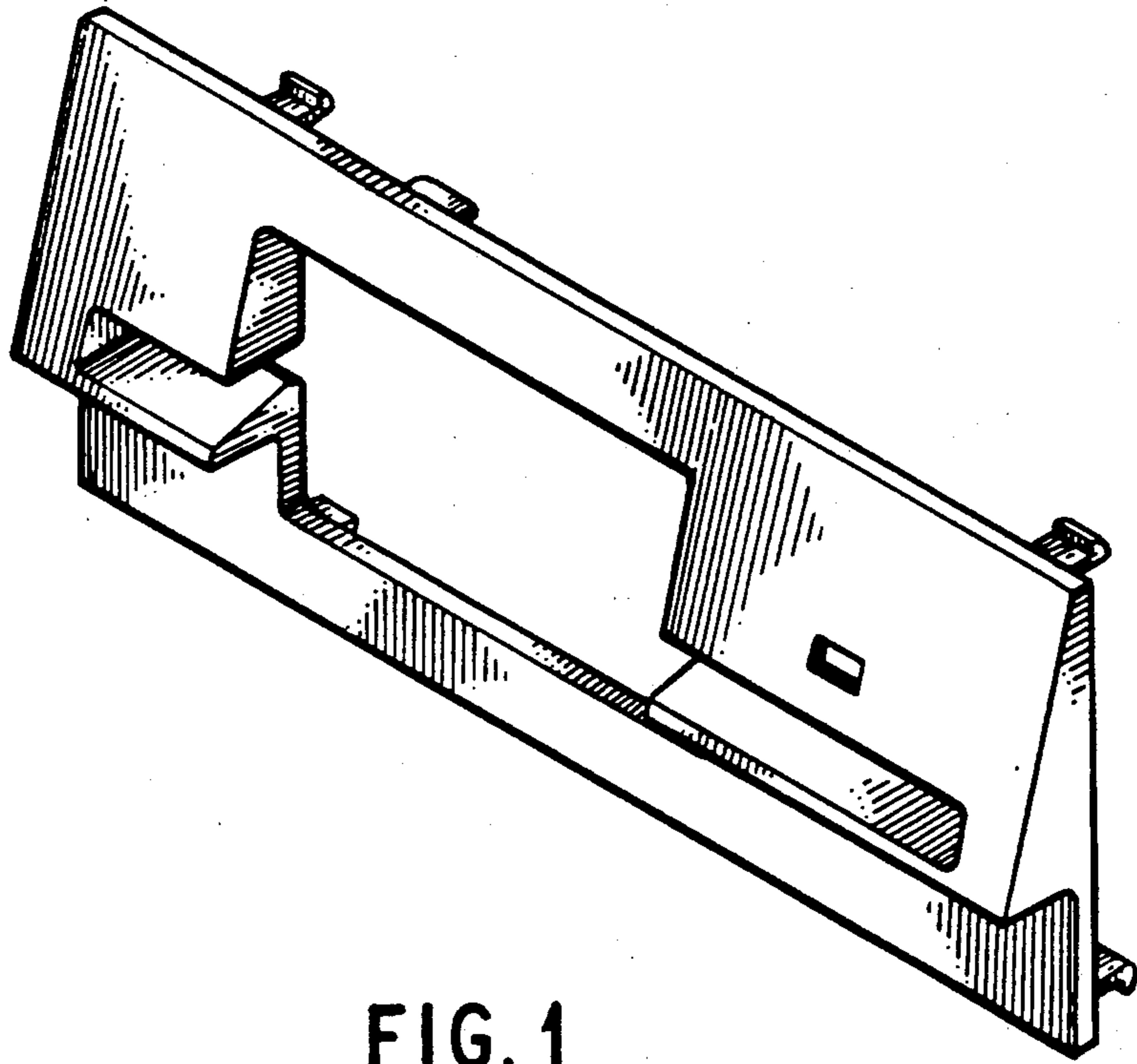


FIG. 1

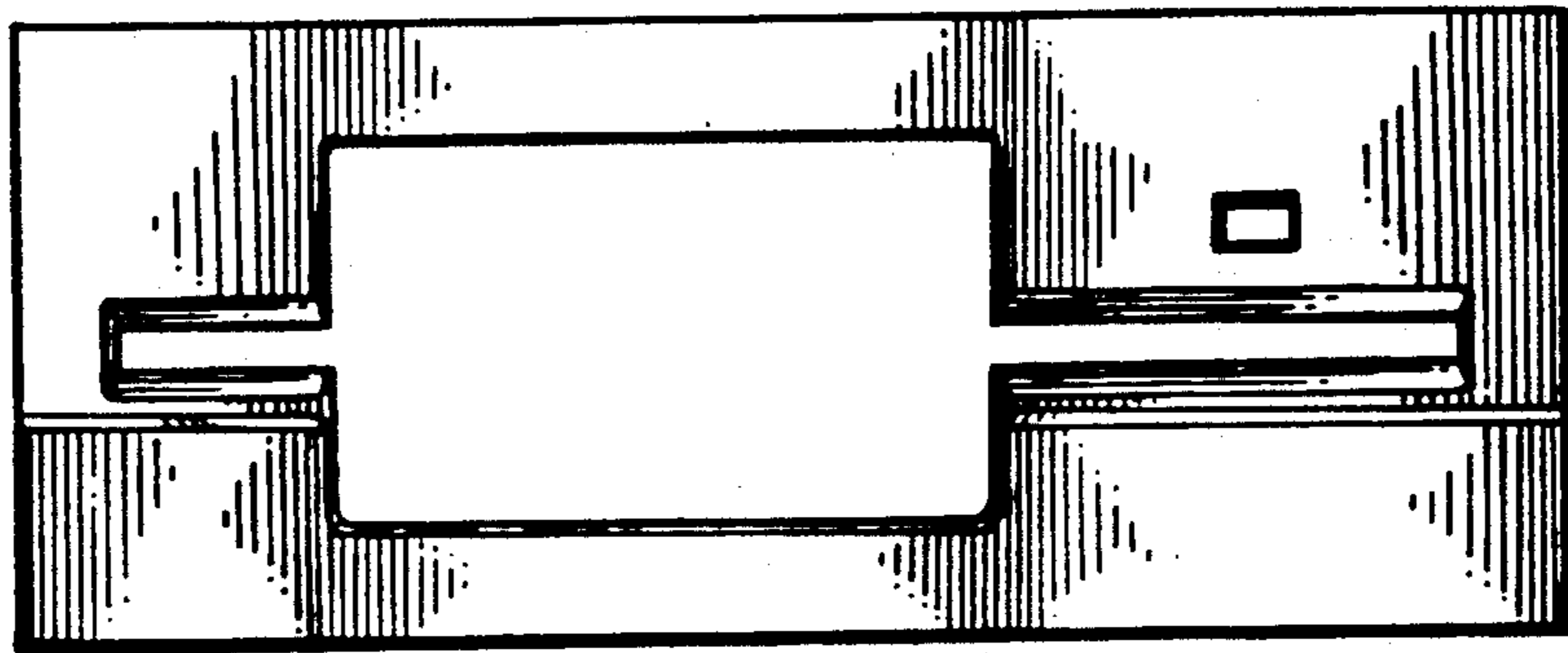


FIG. 2

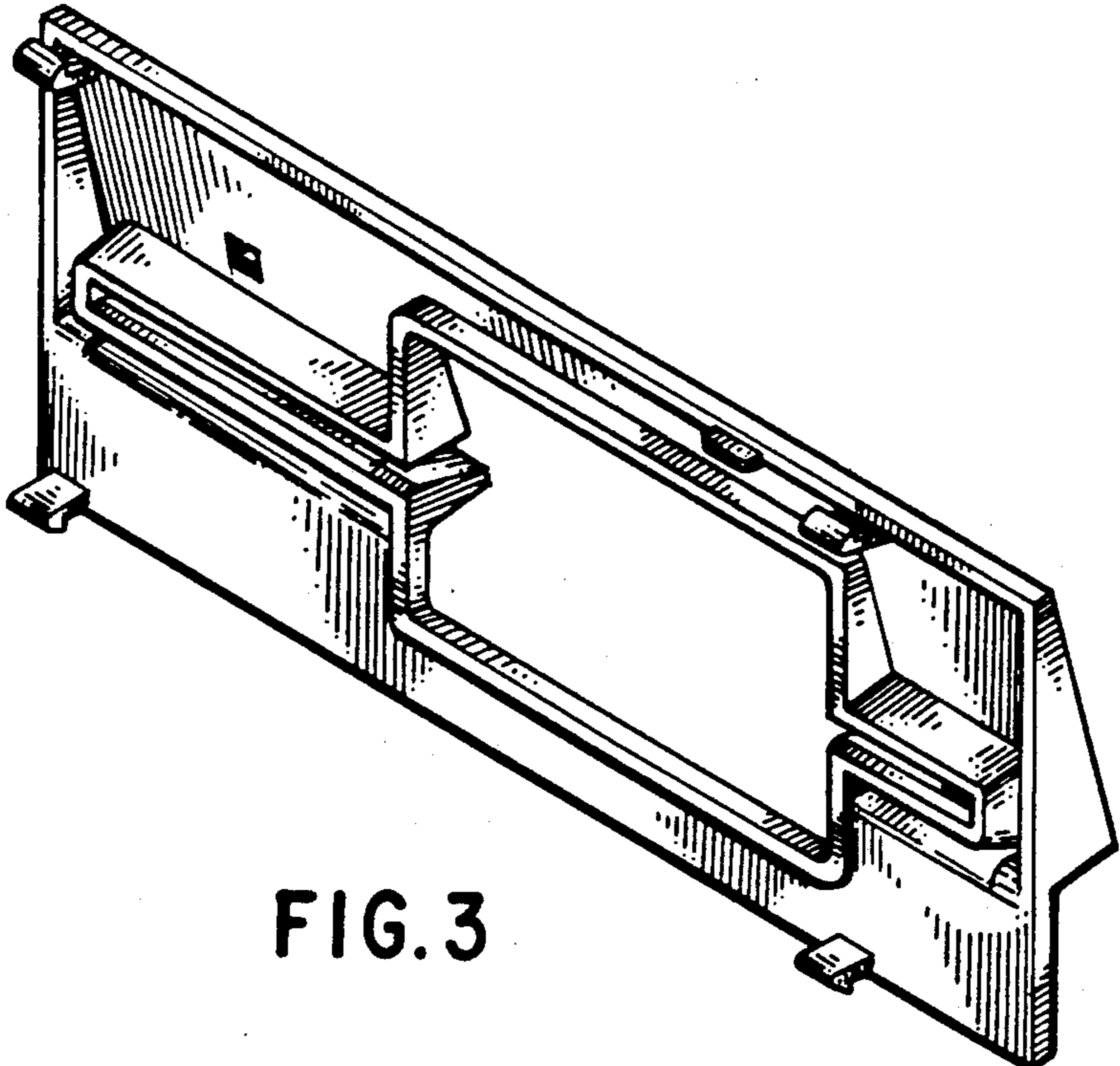


FIG. 3



FIG. 5

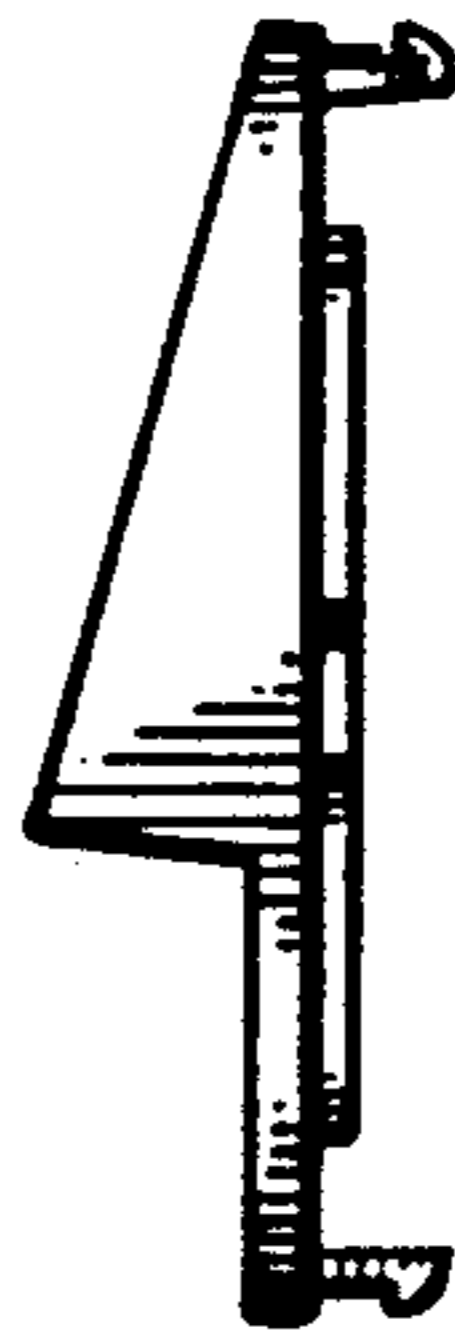


FIG. 4

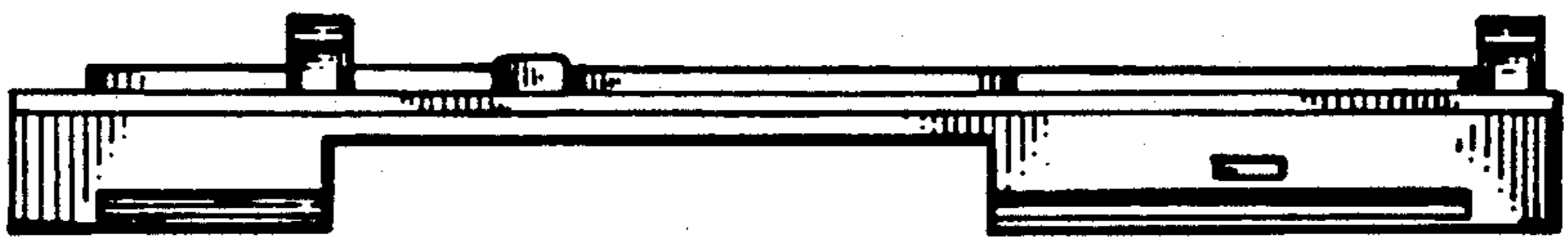


FIG. 6

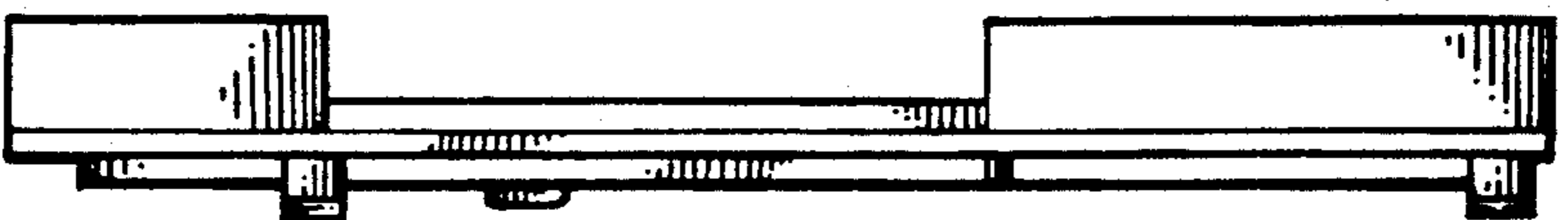


FIG. 7