



US00D324856S

United States Patent [19]

[11] Patent Number: **Des. 324,856**

Iino

[45] Date of Patent: **** Mar. 24, 1992**

[54] **ELECTRONIC COMPUTER**

[75] Inventor: **Masaaki Iino, Yokohama, Japan**

[73] Assignee: **Kabushiki Kaisha Toshiba, Kanagawa, Japan**

[**] Term: **14 Years**

[21] Appl. No.: **466,731**

[22] Filed: **Jan. 18, 1990**

[30] **Foreign Application Priority Data**

Jul. 31, 1989 [JP]	Japan	1-28117
Jul. 31, 1989 [JP]	Japan	1-28118
Jul. 31, 1989 [JP]	Japan	1-28119
Jul. 31, 1989 [JP]	Japan	1-28120

[52] U.S. Cl. **D14/106**

[58] Field of Search **D14/100, 101, 106, 107, D14/113, 115; D18/1, 7, 11, 12; D19/76; 235/145 A, 145 R; 340/700, 706, 711, 712; 341/22, 23; 358/249, 253; 364/706-710; 400/489, 492; 312/208**

[56] **References Cited**

U.S. PATENT DOCUMENTS

D. 224,784	7/1972	Sucre et al.	D14/106
D. 254,005	1/1980	Zadock et al.	D14/106
D. 275,102	8/1984	MacConnel	D14/106
D. 280,511	9/1985	Moggridge et al.	D14/106
D. 280,622	9/1985	Moggridge et al.	D14/100
D. 282,843	3/1986	Kurihara et al.	D14/100
D. 283,511	4/1986	Dunn	D14/106
D. 284,193	6/1986	Marshall	D14/101
D. 284,474	7/1986	Sawada	D14/100
D. 287,969	1/1987	Kusanagi	D14/106
D. 288,566	3/1987	Chin et al.	D14/106
D. 289,177	4/1987	Sawada	D18/7
D. 289,763	5/1987	Fujii et al.	D14/106
D. 290,256	6/1987	Sapper et al.	D14/106
D. 290,845	7/1987	Yubisui et al.	D14/111
D. 291,442	8/1987	Kurihara	D14/106
D. 293,677	1/1988	Hara et al.	D14/106
D. 293,678	1/1988	Sawatani et al.	D14/106
D. 294,029	2/1988	Nishiyama et al.	D14/106
D. 294,831	3/1988	Hara et al.	D14/106
D. 295,176	4/1988	Nishimoto et al.	D14/106
D. 295,519	8/1988	Kimble	D14/106
299,031	12/1988	Sugano	D14/106

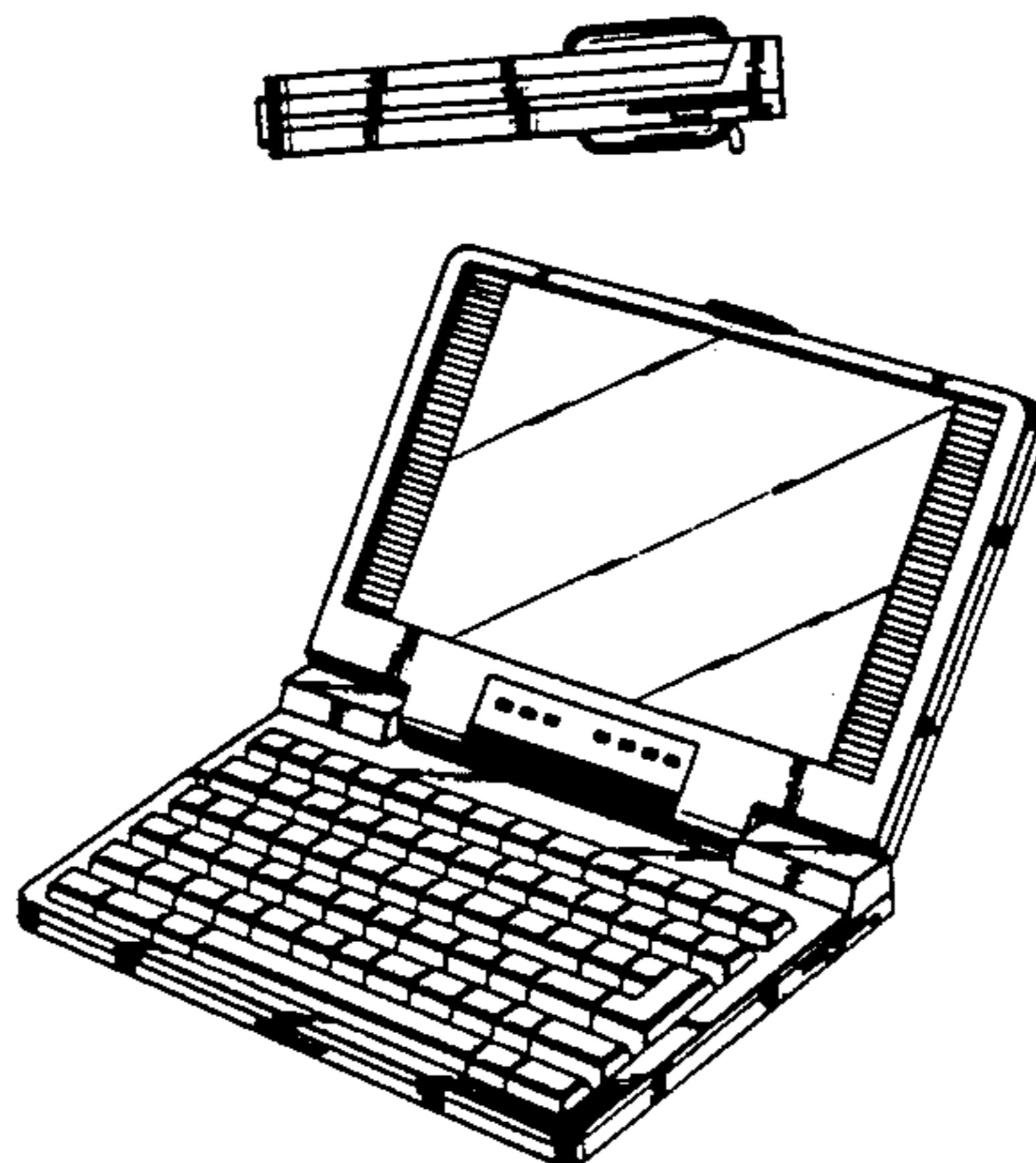
D. 308,860	6/1990	Tsukada et al.	D14/106
D. 308,861	6/1990	Tsukada et al.	D14/106
D. 311,906	11/1990	Iion	D14/106
D. 312,626	12/1990	Lam	D14/106
D. 312,822	12/1990	Watabe et al.	D14/106

FOREIGN PATENT DOCUMENTS

100708	6/1988	China	.
100709	6/1988	China	.
101093	7/1988	China	.
MS880660	10/1988	Fed. Rep. of Germany	.
47-14961	5/1972	Japan	.
499866	4/1979	Japan	.
639216	11/1984	Japan	.
650470	5/1985	Japan	.
664175	10/1985	Japan	.
684172	8/1986	Japan	.
685000	8/1986	Japan	.
685063	8/1986	Japan	.
685121	8/1986	Japan	.
685542	8/1986	Japan	.
686374	9/1986	Japan	.
686381	9/1986	Japan	.
686386	9/1986	Japan	.
686658	9/1986	Japan	.
686706	9/1986	Japan	.
695931	12/1986	Japan	.
696188	1/1987	Japan	.
697328	1/1987	Japan	.
763838	6/1988	Japan	.
747990	11/1988	Japan	.
748513	11/1988	Japan	.
749802	11/1988	Japan	.
746985	4/1989	Japan	.
763840	6/1989	Japan	.
763855	6/1989	Japan	.
67297	2/1987	Rep. of Korea	.
85032	10/1988	Rep. of Korea	.
92859	7/1989	Rep. of Korea	.
92863	7/1989	Rep. of Korea	.
852546	1/1987	Sweden	.
852547	1/1987	Sweden	.
105573	11/1988	Taiwan	.
107394	1/1989	Taiwan	.

OTHER PUBLICATIONS

Sharp Advertisement, 05/19/76.
 Fanuc System P-Model, 07/27/83.
 Moebel Interior Design, 01/05/84.
 The Office 98-6, 01/31/84.



- Demus 645, 02/22/84.
 MRD Advertisement, 03/29/84.
 Gavilan Mobile Computer Brochure, 04/19/84.
 Picture #J9016870, 05/08/84.
 Hewlett Packard Advertisement, 05/18/84.
 Hewlett Packard Advertisement, 06/05/84.
 Epson HC-88, 07/01/84.
 Hitachi Advertisement, 09/04/84.
 Hewlett Packard Advertisement, 09/12/84.
 Sharp PC-5000 Brochure, 09/26/84.
 Data General One Advertisement, 09/28/84.
 Apple Computer Apple IIC, 10/15/84.
 TI Software Journal, Pro-Lite TM, 11/14/84.
 IS-11c Advertisement, 11/14/84.
 Dulmont Magnum Article in Portable Computer,
 11/00/84.
 IBM Advertisement, 12/06/84.
 Tandy 200, 00/00/85.
 General Corp. 4400, 01/14/85.
 AVAL TM Advertisement, 02/11/85.
 Picture #J60007802, 02/26/85.
 AVAL TM20, 03/08/85.
 Tandy 200, 03/16/85.
 NEC Starlet PC-8401A Brochure, 03/28/85.
 C & D News, 03/29/85.
 Hewlett-Packard HP110, 04/00/85.
 Fujitsu FM 16, 04/17/85.
 Fujitsu FM16 TL Brochure, 05/22/85.
 Data General One Brochure, 05/23/85.
 Toshiba T 1100 Plus, 07/22/85.
 Minato Electronics MODS-5000, 08/22/85.
 GridCase Brochure, 09/24/85.
 FBS Advertisement, 10/30/85.
 NEC N6919 Model 80/80H, 11/11/85.
 IBM Advertisement, 11/28/85.
 Apple Computer IIC, 12/00/85.
 Hewlett-Packard Portable Plus, 12/00/85.
 FLM-700, 01/31/86.
 Fujitsu FM 16, 05/21/86.
 PC-816F Advertisement, 05/27/86.
 Zenith Data Systems NEWSDATE Newsletter,
 06/07/86.
 Tandy 600 Advertisement, 07/25/86.
 Ricoh JP70D Brochure, 09/29/86.
 Data General One Brochure, 10/03/86.
 Article re IBM Portable Personal Computer, 10/15/86.
 NEC PC-98LT Advertisement, 10/23/86.
 Yaskawa P-t50 Advertisement, 11/12/86.
 Yaskawa Memocon®-SC GL20 Advertisement,
 03/27/87.
 TI Advertisement in Telephony, 04/01/87.
 Data General One Model 2J Brochure, 05/20/87.
 Hitachi B16LX Brochure, 08/31/87.
 Ricoh Brochure, 09/17/87.
 Sony Produce 100 Brochure, 09/18/87.
 Panasonic FW-U1EX Advertisement, 10/02/87.
 Nihon IBM 55 Model 5535, 10/19/87.
 NEC Minitel 5 Advertisement, 10/29/87.
 Rein Laptop 300 SLC Advertisement, 10/29/87.
 IBM 5540/5535 Brochure, 11/04/87.
 NEC PC-9800 Advertisement, 11/27/87.
 Panasonic U1EX Advertisement, 12/08/87.
 Schneider Multivision 300 SLC Catalog, 00/00/88.
 Panasonic U1Pro, 01/04/88.
 Diagnostic Products Review, 01/02/88.
 Toshiba E & E News, 02/26/88.
 Seiko-Epson PC-286L, 03/02/88.
 Toshiba JW90FII Rupo Brochure, 03/03/88.
 Hitachi B16LX Brochure, 04/05/88.
 Sony Produce PJ-100EX Brochure, 04/05/88.
 WS Japanese Advertisement, 04/27/88.
 NEC Multispeed, Spring '88.
 Samsung S5200, 05/10/88.
 Datavue Snap 1+1, 05/10/88.
 Portable Computer Review, p. 32, 05/10/88.
 GridCase 1530 Advertisement, 05/10/88.
 NEC Multispeed EL Model 2 Brochure, 05/10/88.
 Sharp PC-5000 Brochure, 05/12/88.
 Japanese Advertisement, 05/12/88.
 Sanyo ES 100, 05/13/88.
 NEC PC-9801 LV 21 Brochure, 05/13/88.
 Sharp WV-500, 05/19/88.
 Panafacom C-250 LT Brochure, 05/19/88.
 Kyosera 386AX, 09/00/88.
 NEC PC-9801, 10/26/88.
 Sanyo MBC-17LTJ, 10/00/88.
 Toshiba T 1600, 11/00/88.
 Sanyo MBC 17LTJH, 11/28/88.
 Oki "IF 386 AX", 12/09/88.
 Kyosera 386-SX Laptop AX, 01/10/89.
 Seiko-Epson PC-286LS, 02/16/89.
 NEC PC-9801 LV21, 05/13/89.

Fujitsu G-150LT, 05/19/89.
 Visual Computer Brochure, undated.
 Gavilan Mobile Computer Brochure, undated.
 Olivetti Personal Computer M15 Brochure, undated.
 Epson HC-88, HC80 Brochure, undated.
 Epson PX-8 Personal Computer Brochure, undated.
 Mitsubishi mp286L Laptop Personal Computer Brochure, undated.
 Grid Brochure, undated.
 Dauphin Laptop Computer Brochure, undated.
 MicroDIRECT Brochure, undated.
 SuperSport Brochure, undated.
 Panasonic KX-D4930 Advertisement, undated.
 Ampere WS-1 Advertisement, undated.
 NEC Contrast, undated.
 NEC Starlet PC-8401A Advertisement, undated.
 Victor Technologies, V 286 P Catalog, undated.
 Chaplet HALIKAN LA-22, 4/21/89.
 Sharp AX286L, 9/29/88.
 NEC PC-9801 LX5C, 8/23/88.

Primary Examiner—Wallace R. Burke
Assistant Examiner—Freda S. Nunn
Attorney, Agent, or Firm—Banner, Birch, McKie & Beckett

[57]

CLAIM

The ornamental design for an electronic computer, as shown and described.

DESCRIPTION

FIG. 1 is a top front right side perspective view of an electronic computer showing my new design;
 FIG. 2 is a front elevational view thereof;
 FIG. 3 is a rear elevational view thereof;
 FIG. 4 is a top plan view thereof;
 FIG. 5 is a bottom plan view thereof;
 FIG. 6 is a left side elevational view thereof;
 FIG. 7 is a right side elevational view thereof;
 FIG. 8 is a right side elevational view thereof, the display panel in the closed position;
 FIG. 9 is a top plan view thereof, the display panel in the closed position;

FIG. 10 is a front elevational view thereof, the display panel in the closed position;
 FIG. 11 is a top front right side perspective view of a second embodiment of my design;
 FIG. 12 is a front elevational view thereof;
 FIG. 13 is a rear elevational view thereof;
 FIG. 14 is a top plan view thereof;
 FIG. 15 is a bottom plan view thereof;
 FIG. 16 is a left side elevational view thereof;
 FIG. 17 is a right side elevational view thereof;
 FIG. 18 is a right side elevational view thereof, the display panel in the closed position;
 FIG. 19 is a top plan view thereof, the display panel in the closed position;
 FIG. 20 is a front elevational view thereof, the display panel in the closed position;
 FIG. 21 is a top front right side perspective view of a third embodiment of my design;
 FIG. 22 is a front elevational view thereof;
 FIG. 23 is a rear elevational view thereof;
 FIG. 24 is a top plan view thereof;
 FIG. 25 is a bottom plan view thereof;
 FIG. 26 is a left side elevational view thereof;
 FIG. 27 is a right side elevational view thereof;
 FIG. 28 is a right side elevational view thereof, the display panel in the closed position;
 FIG. 29 is a top plan view thereof, the display panel in the closed position;
 FIG. 30 is a front elevational view thereof, the display panel in the closed position;
 FIG. 31 is a top front right side perspective view of a fourth embodiment of my design;
 FIG. 32 is a front elevational view thereof;
 FIG. 33 is a rear elevational view thereof;
 FIG. 34 is a top plan view thereof;
 FIG. 35 is a bottom plan view thereof;
 FIG. 36 is a left side elevational view thereof;
 FIG. 37 is a right side elevational view thereof;
 FIG. 38 is a right side elevational view thereof, the display panel in the closed position;
 FIG. 39 is a top plan view thereof, the display panel in the closed position; and,
 FIG. 40 is a front elevational view thereof, the display panel in the closed position.

FIG. 1

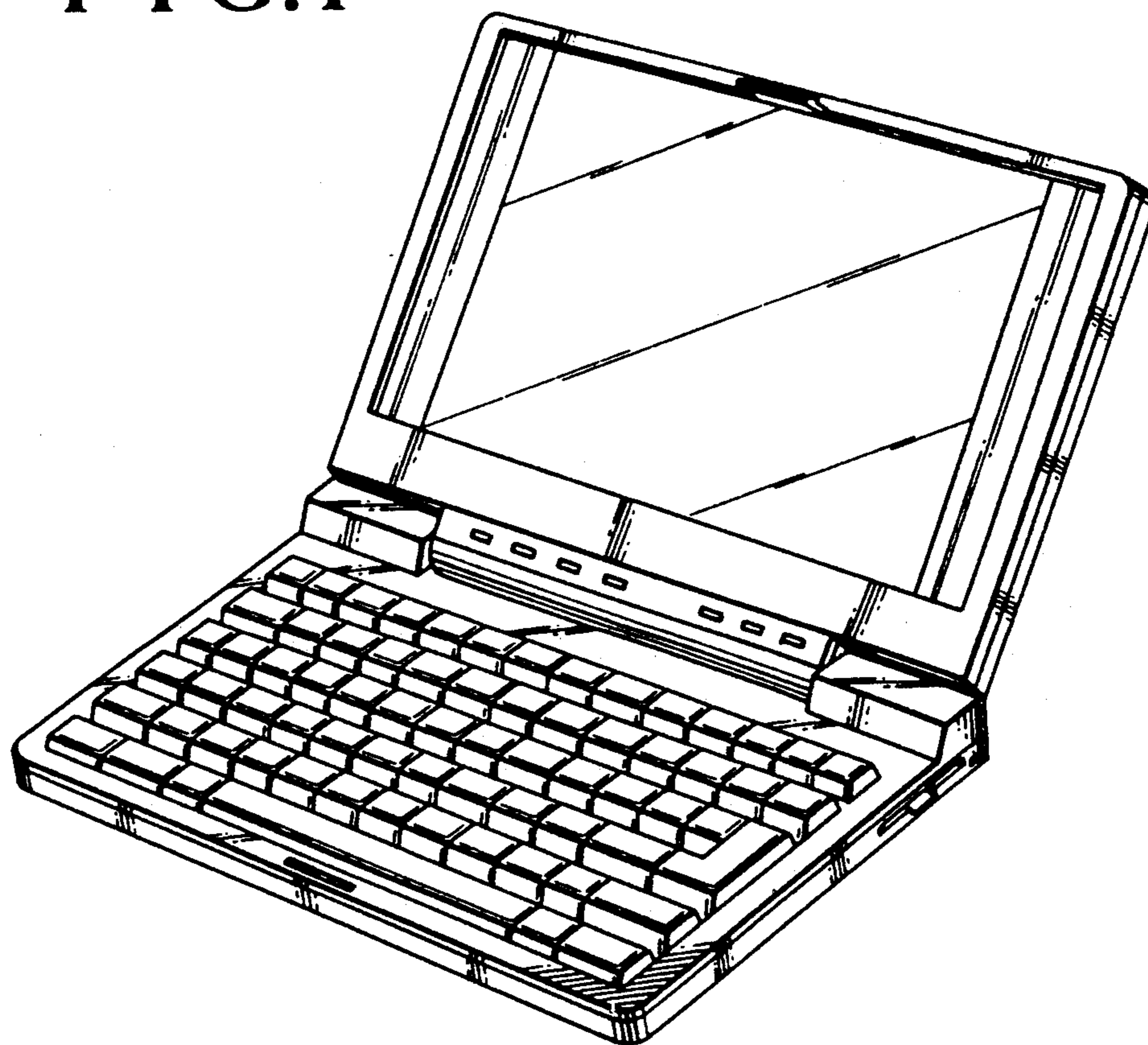


FIG. 2

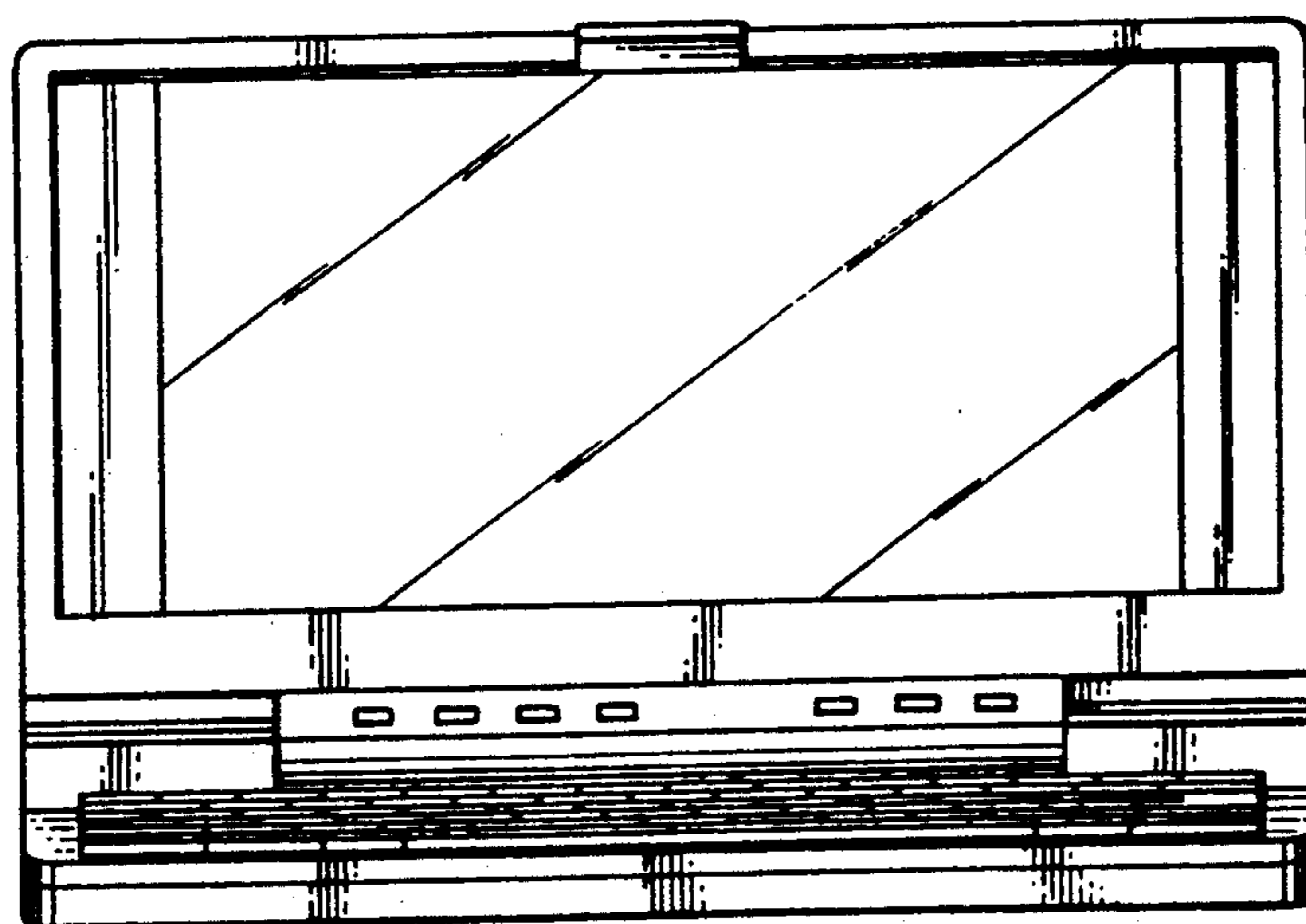


FIG.3

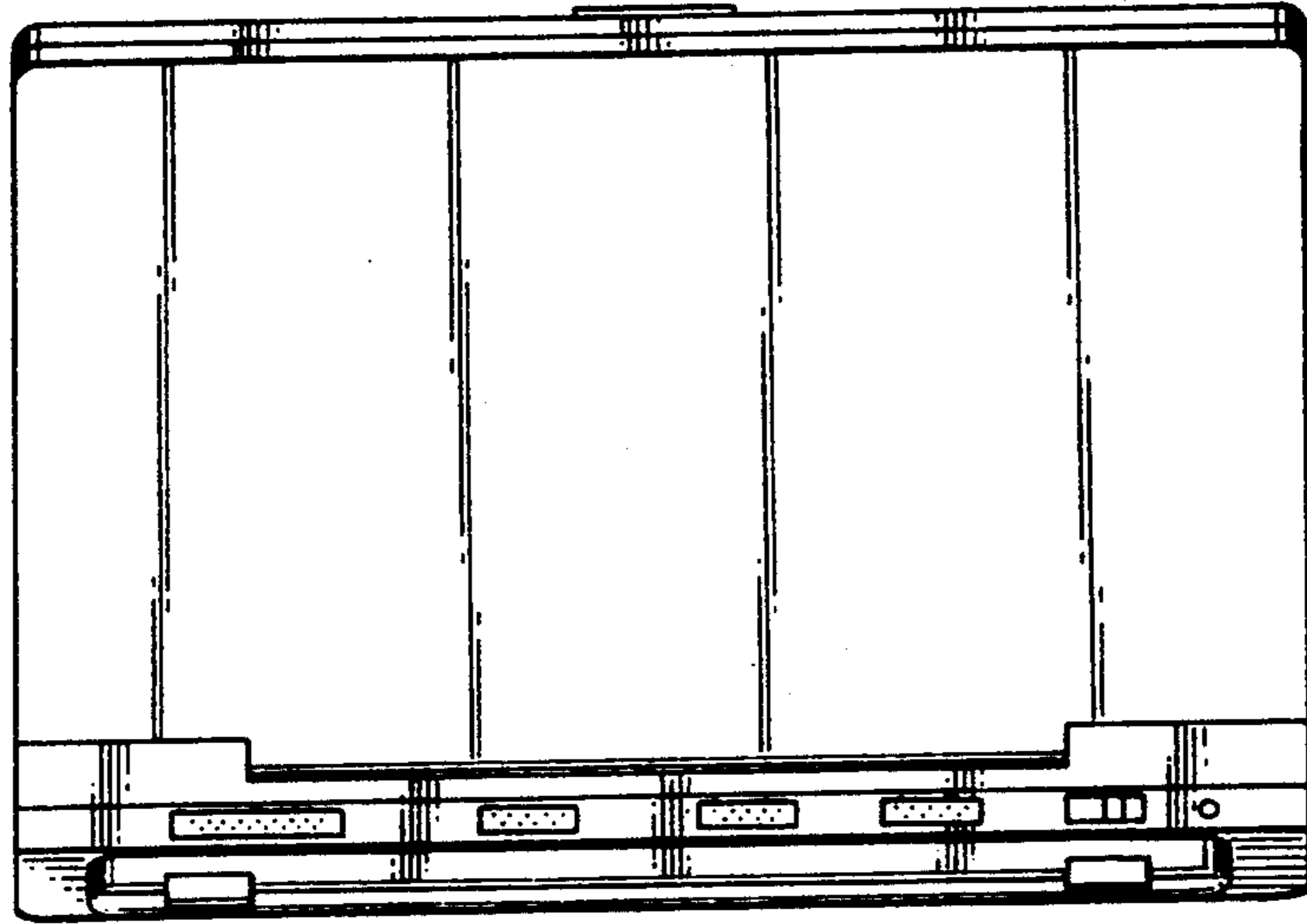


FIG.4

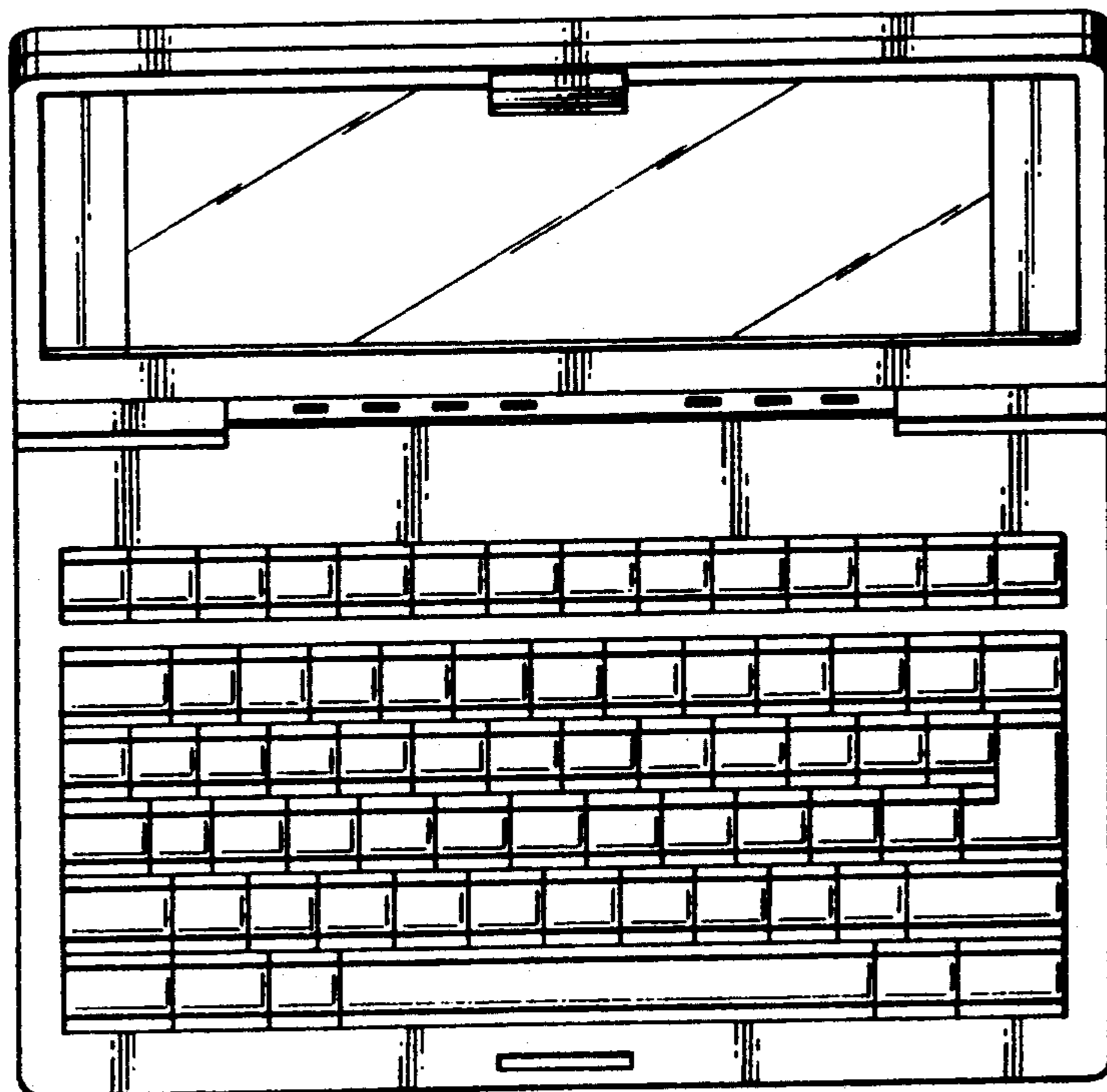


FIG.5

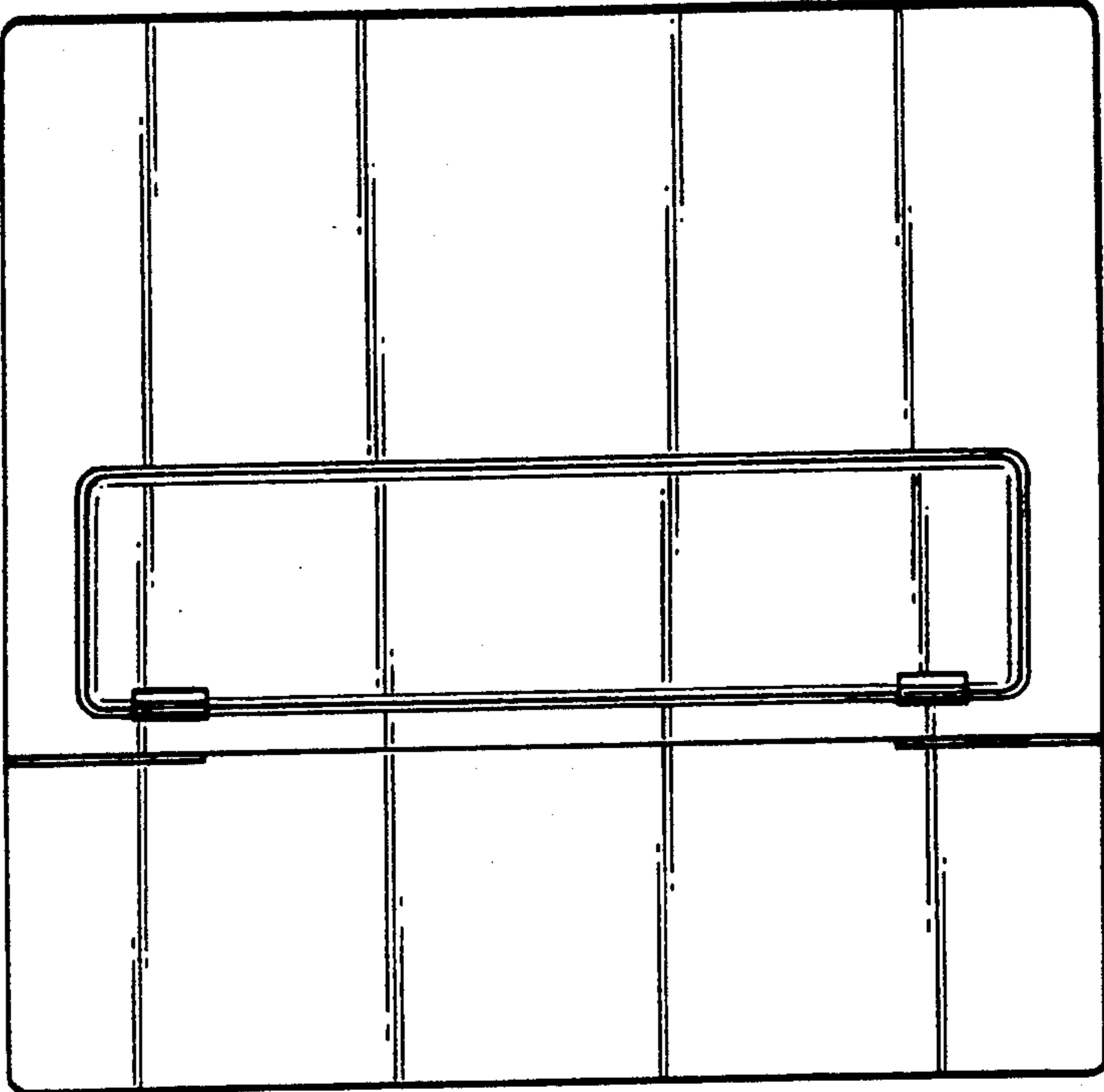


FIG.6

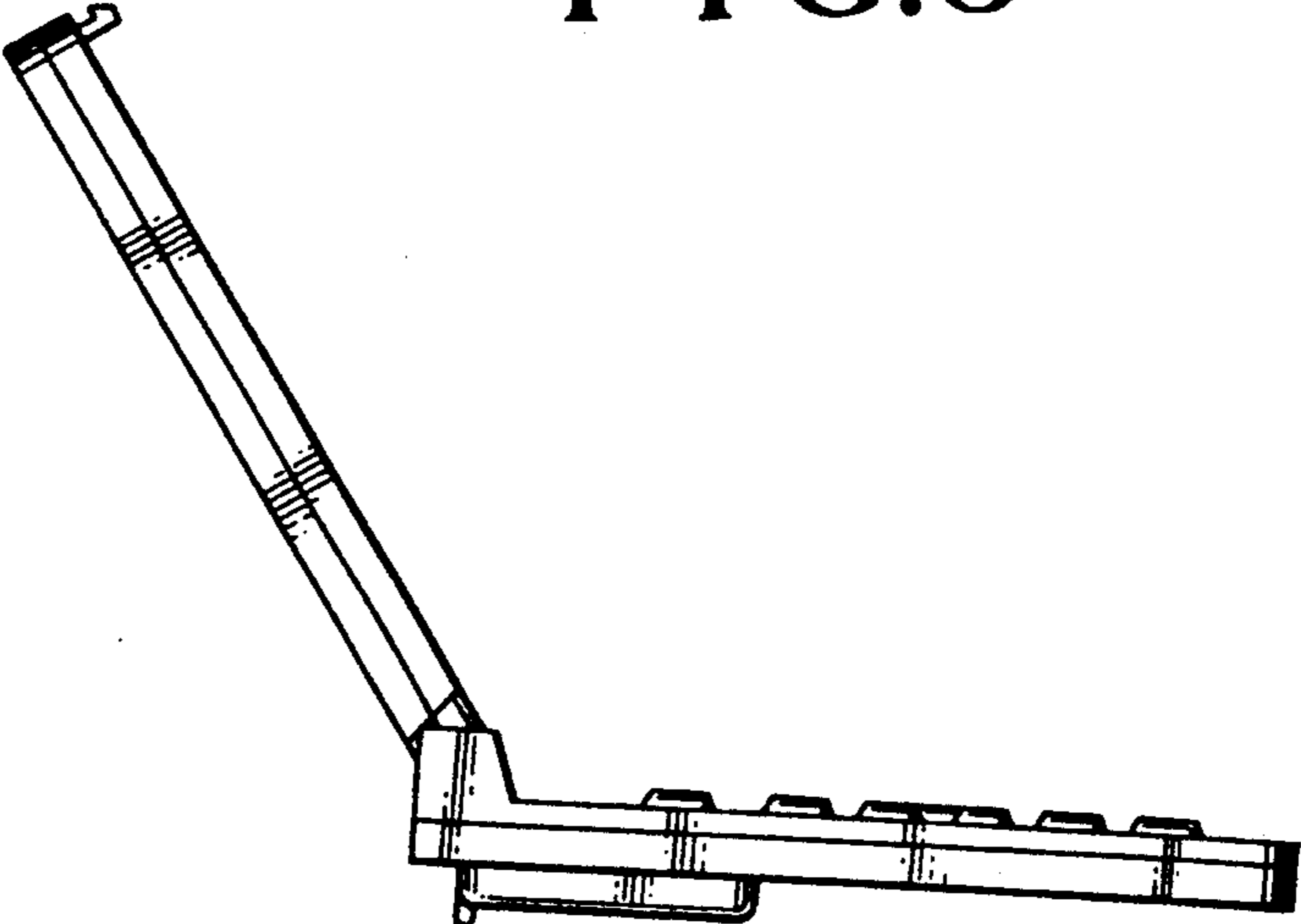


FIG.7

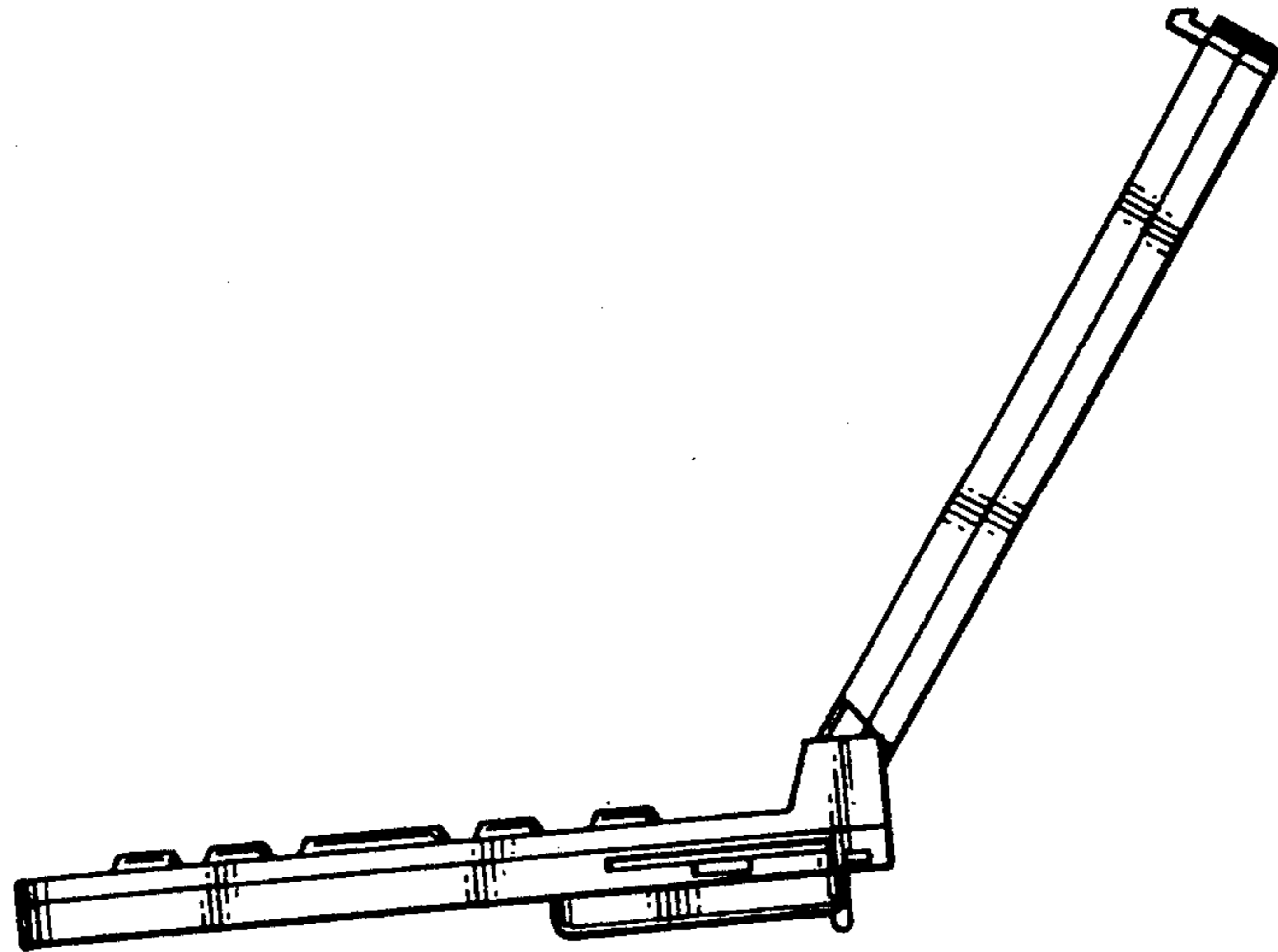


FIG.8



FIG.9

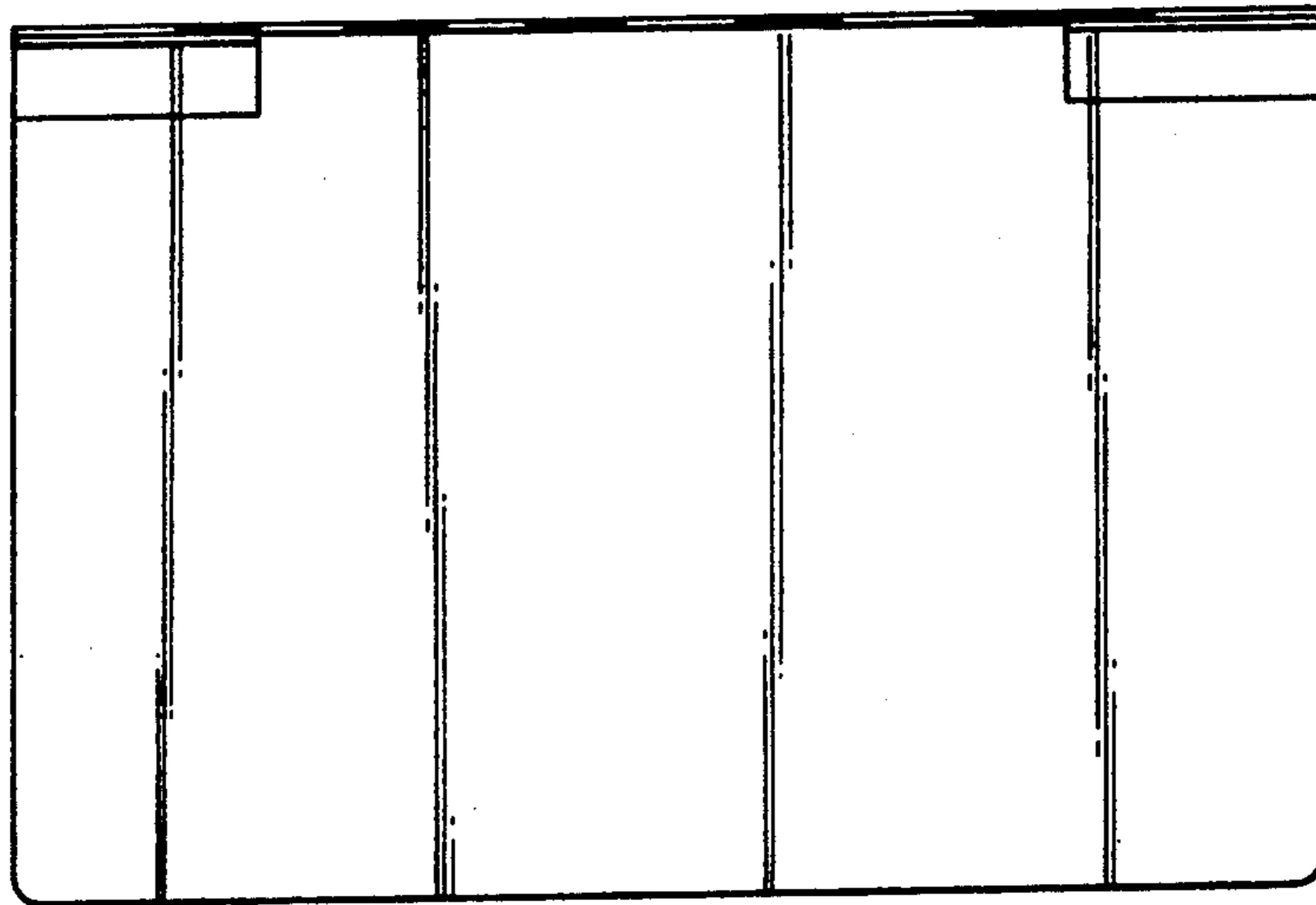


FIG.10

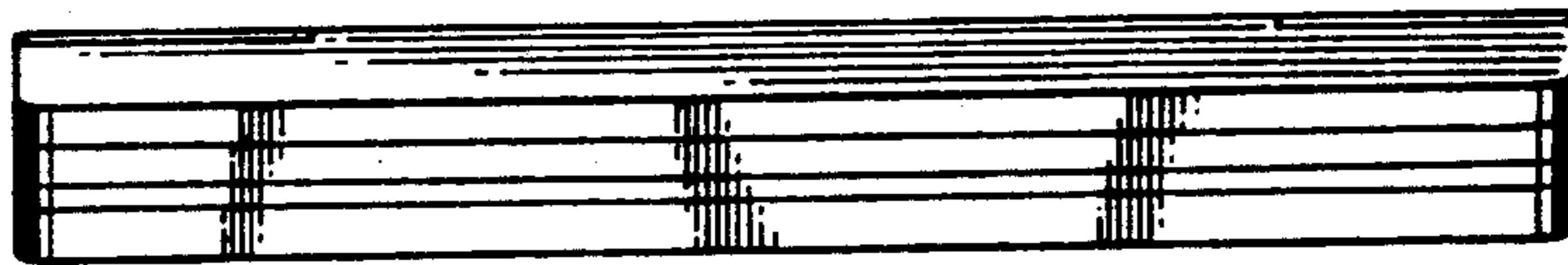


FIG.11

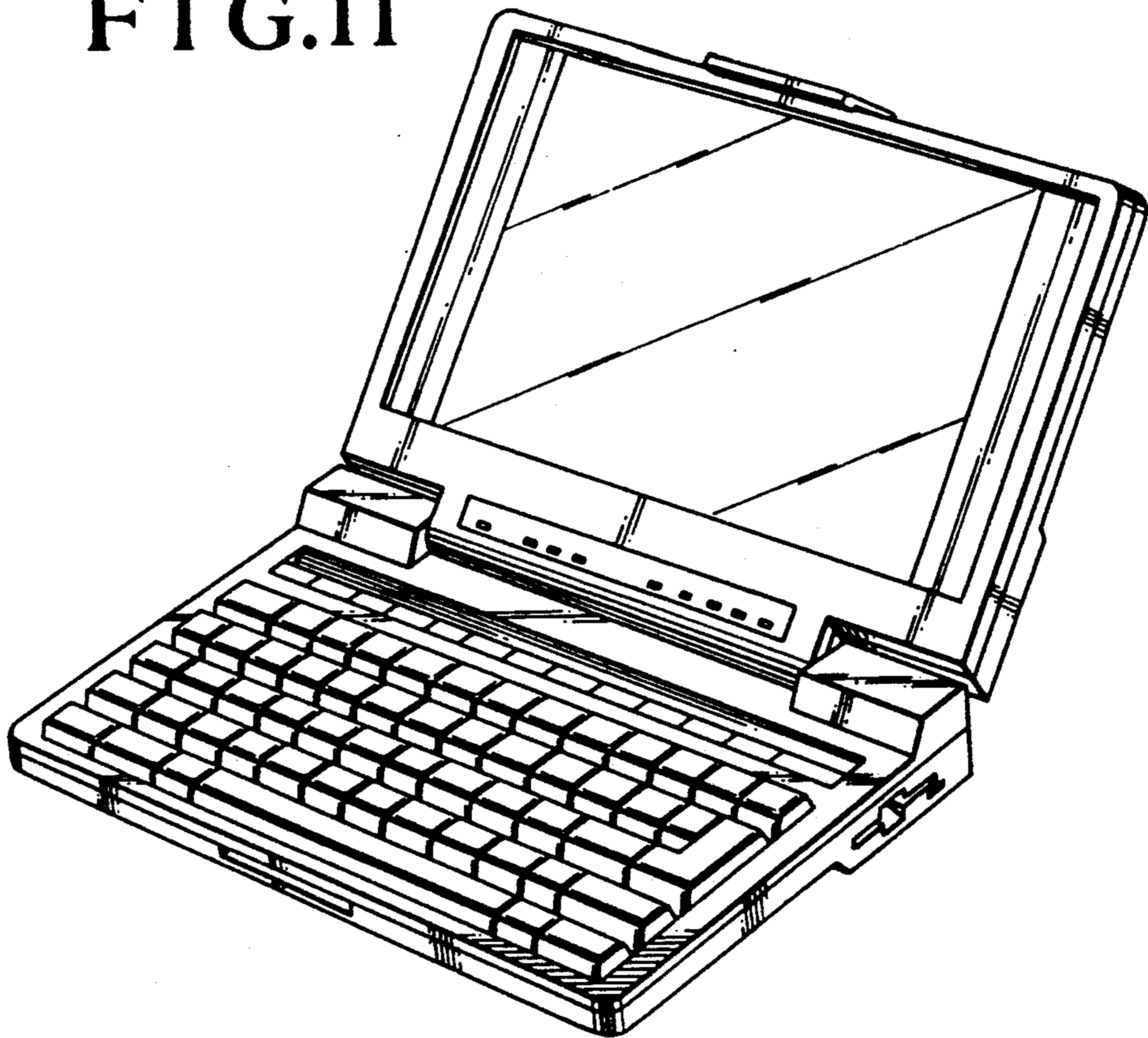


FIG.12

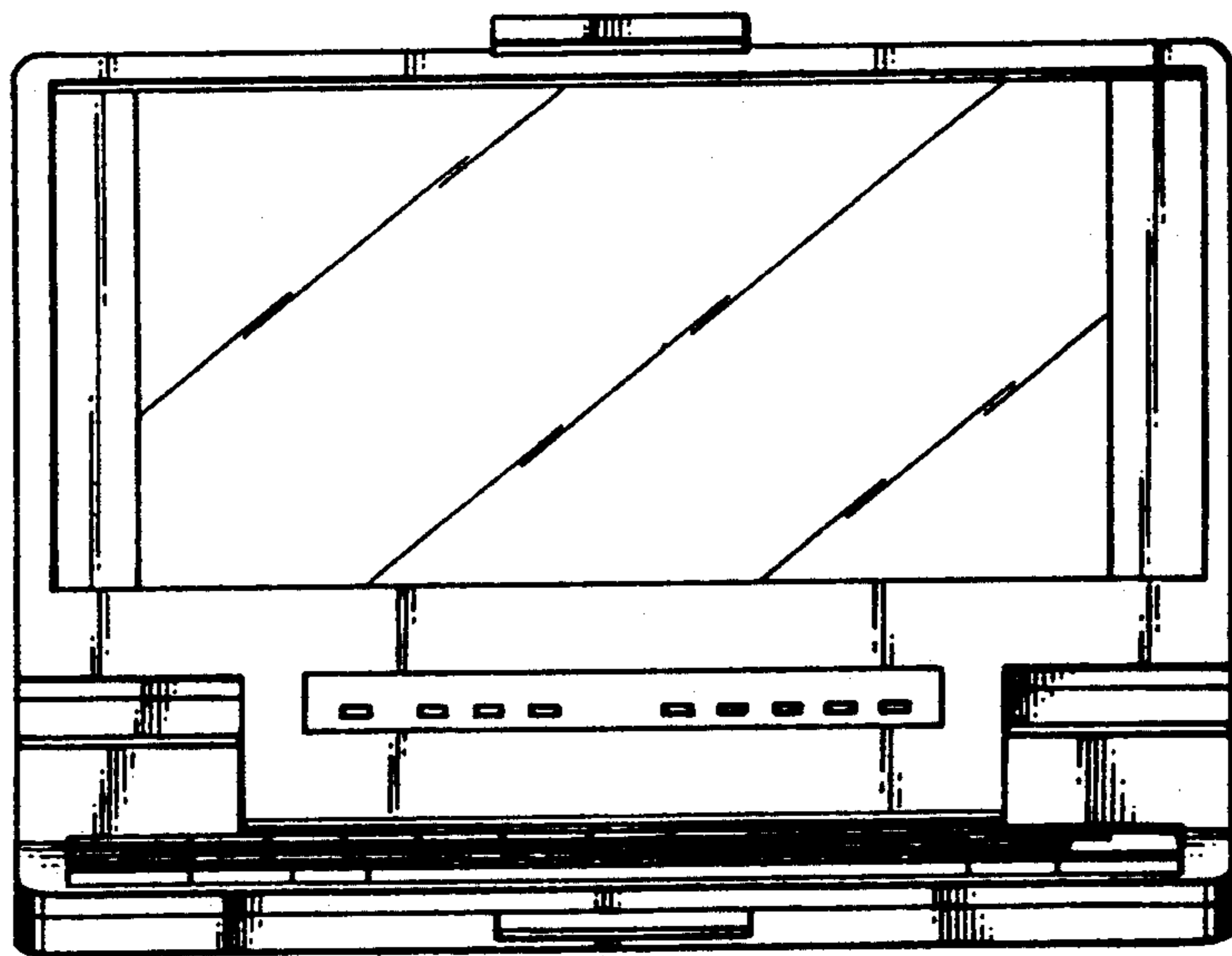


FIG.13

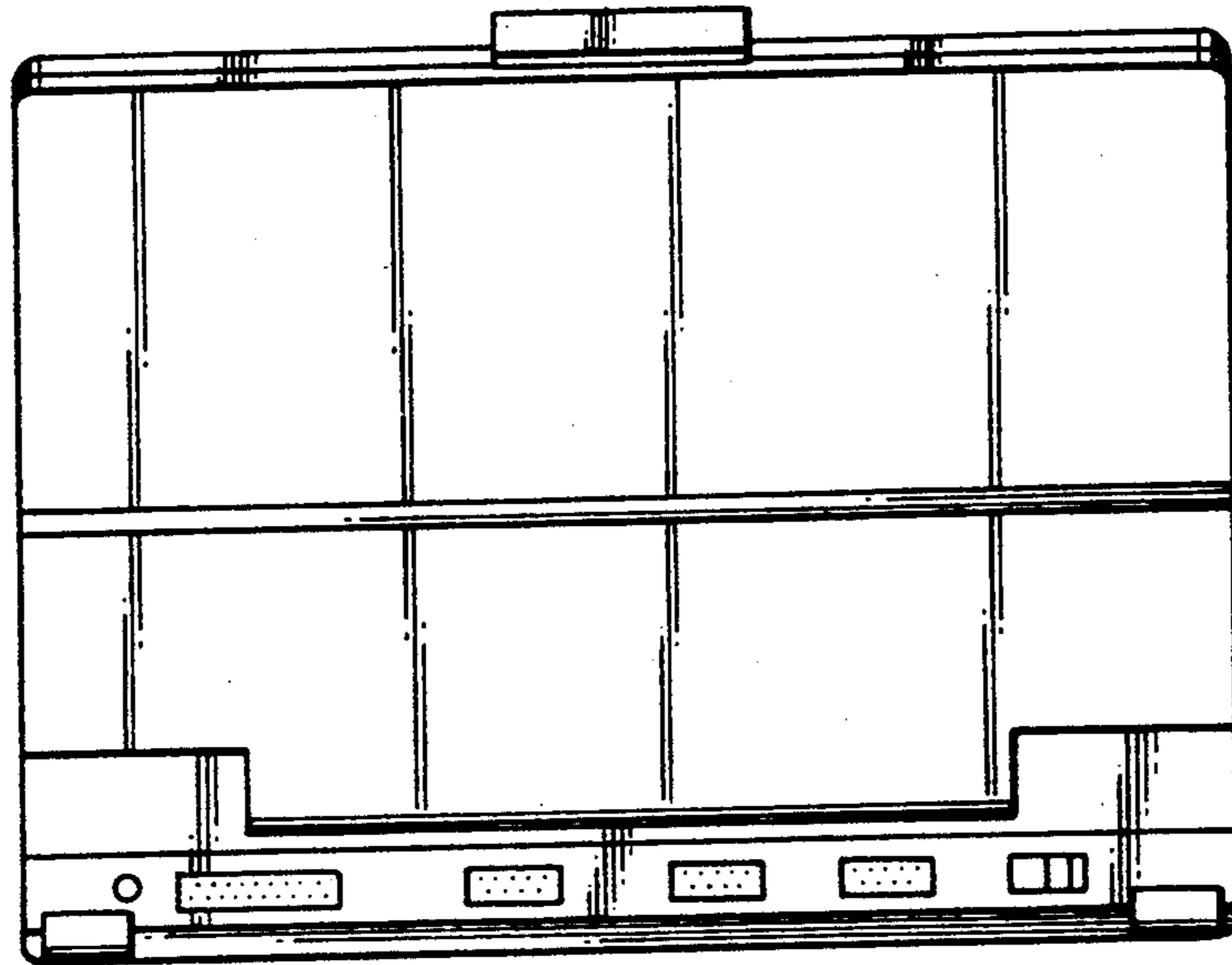


FIG.14

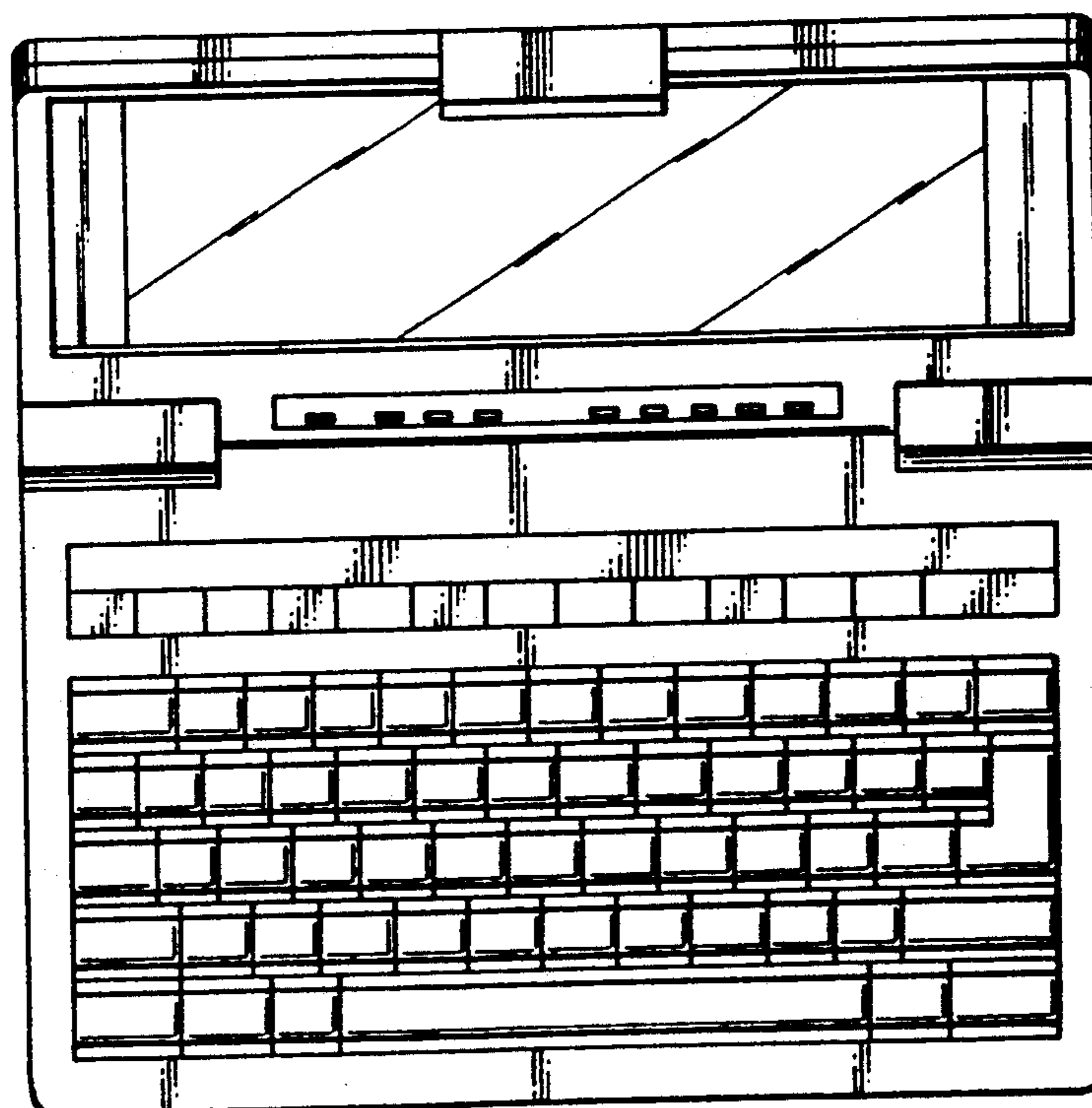


FIG. 15

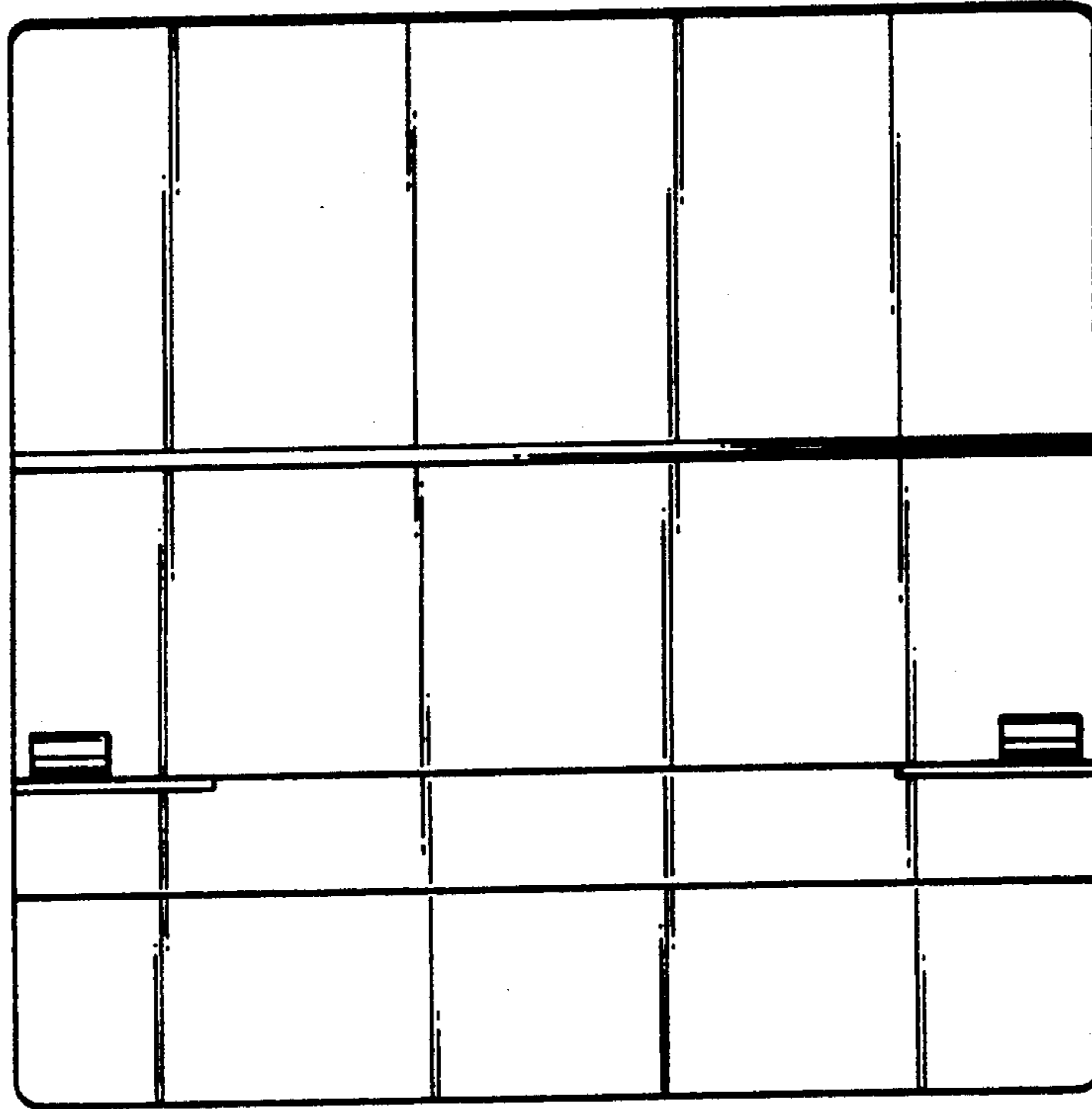


FIG. 16

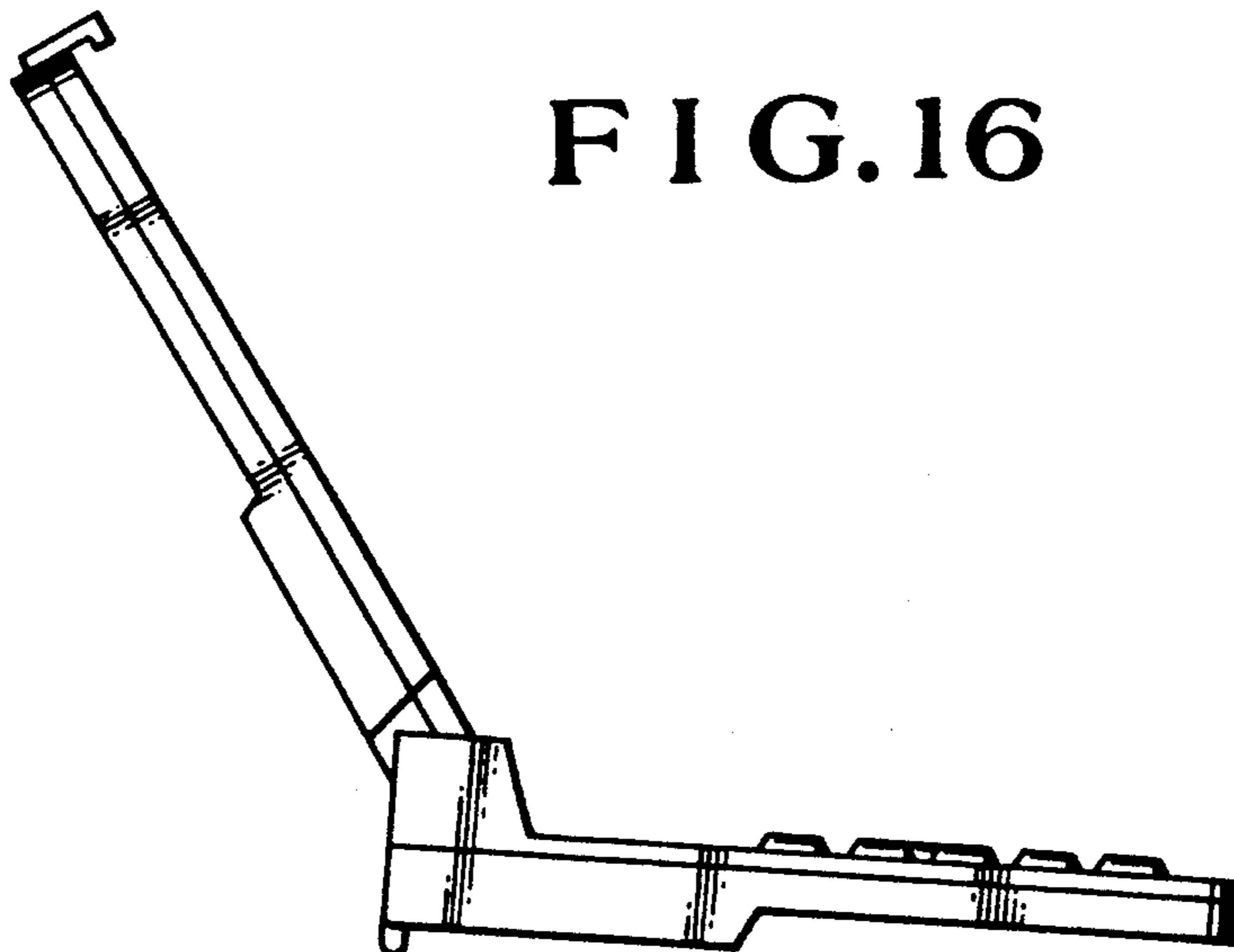


FIG. 17

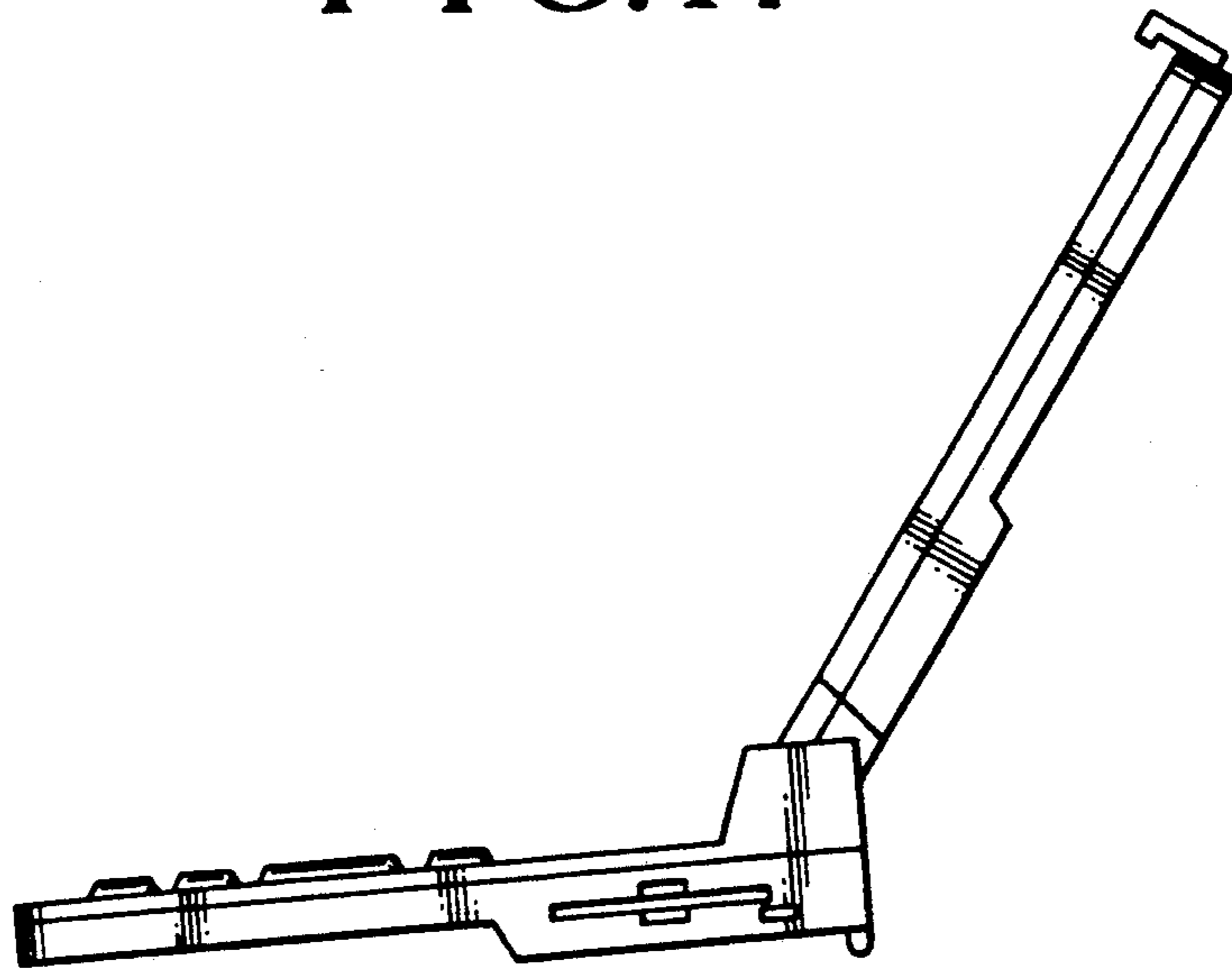


FIG. 18

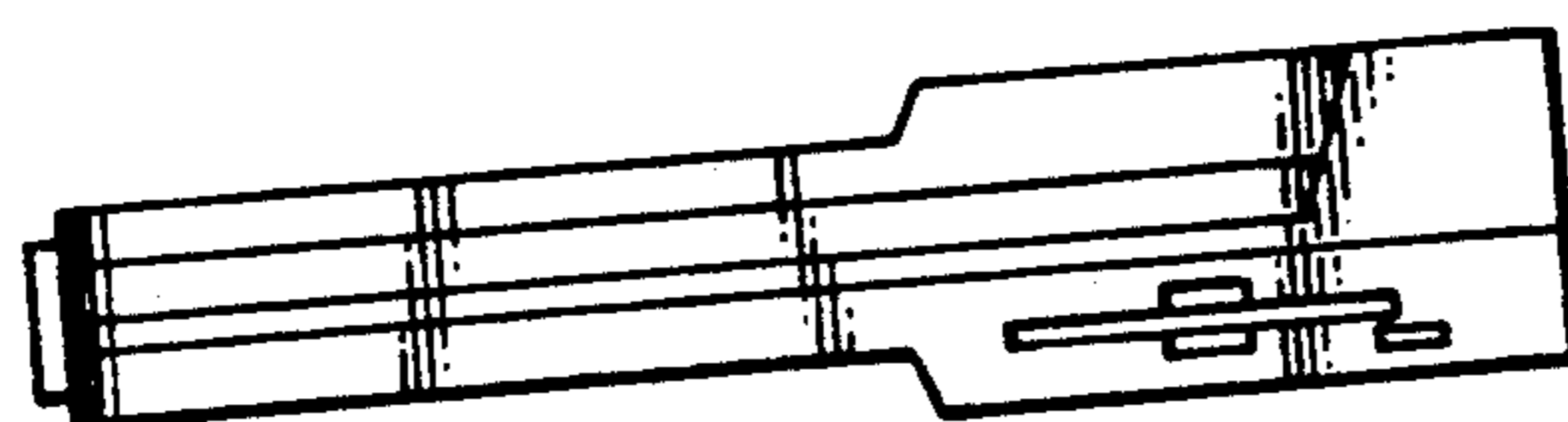


FIG.19

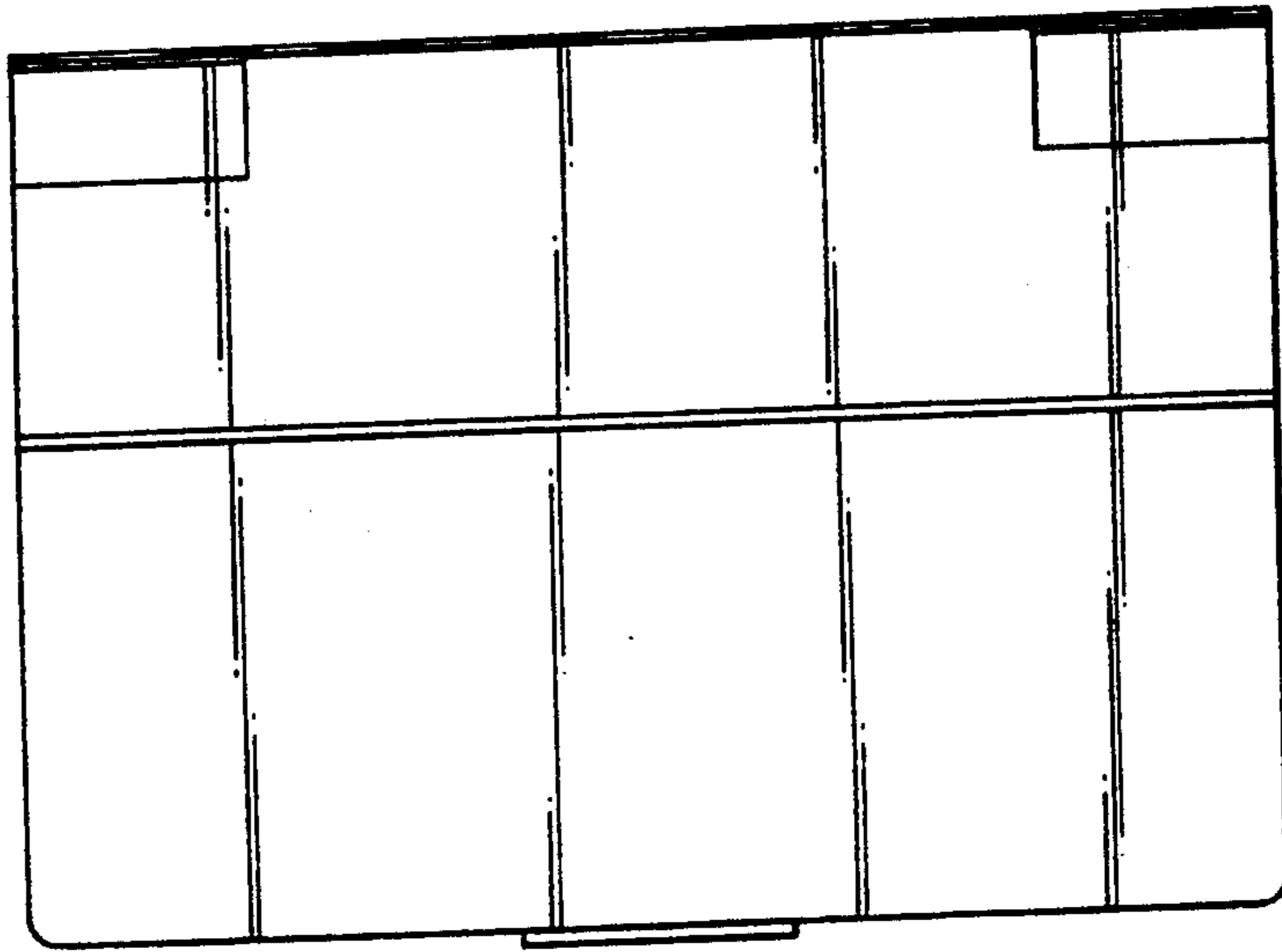


FIG.20

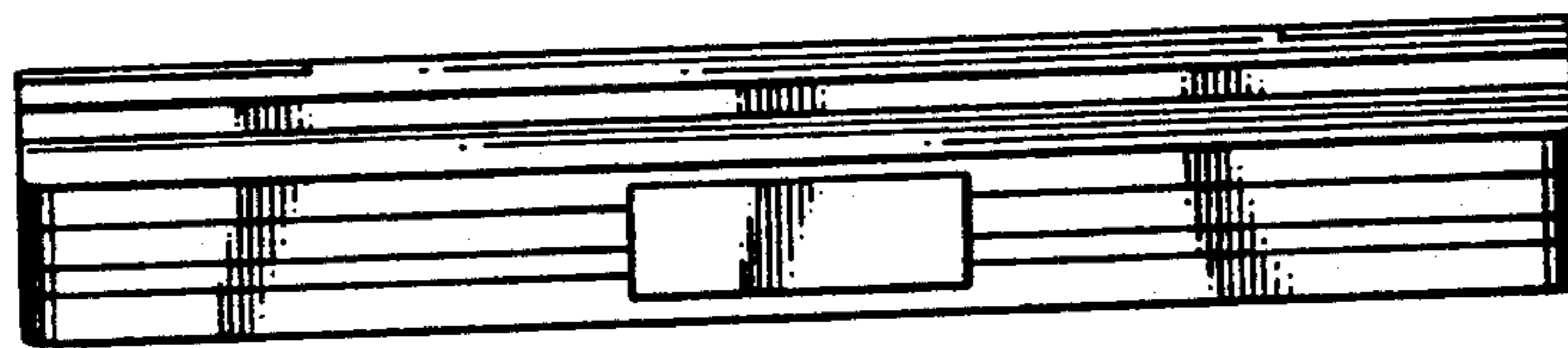


FIG. 21

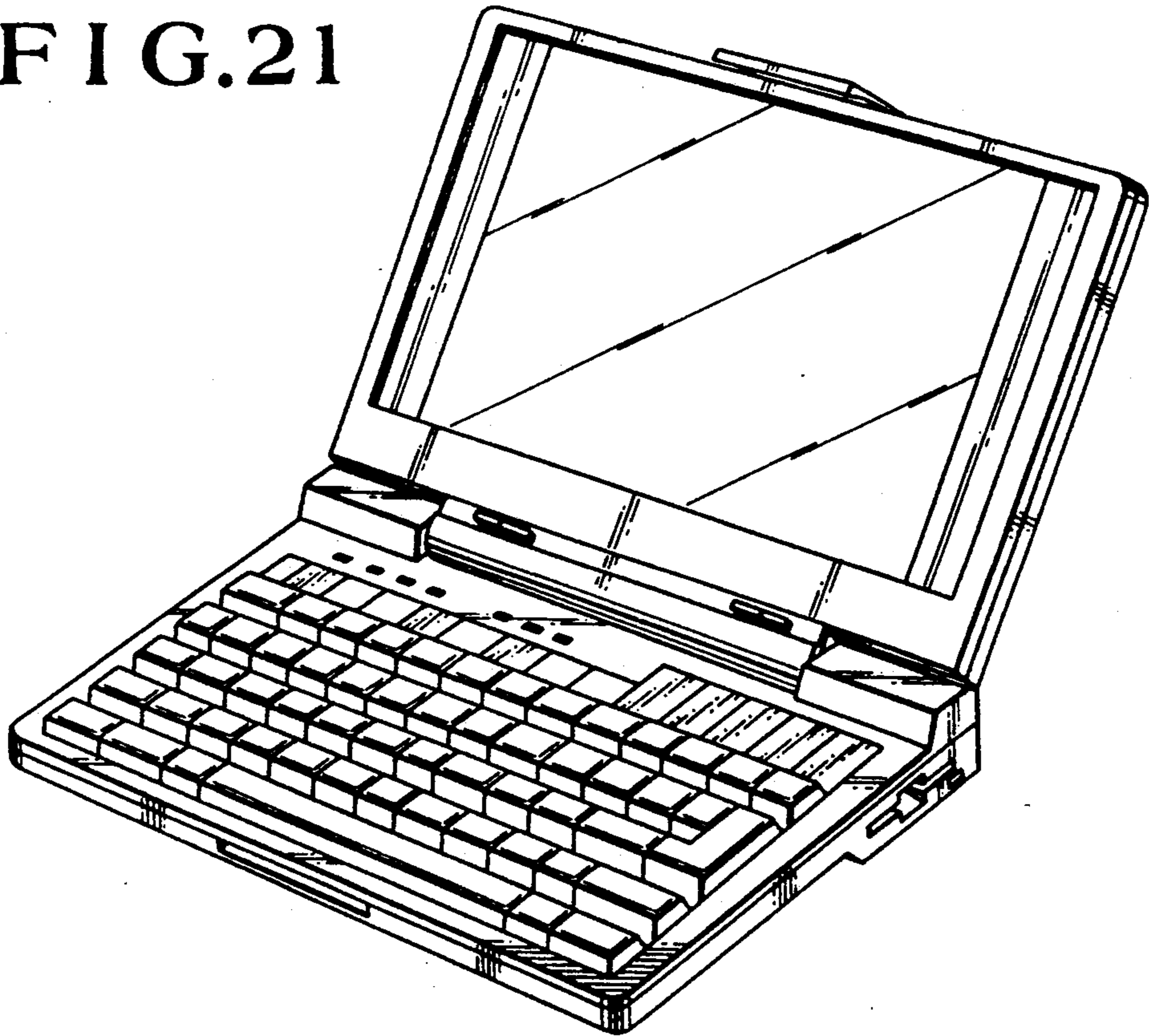


FIG. 22

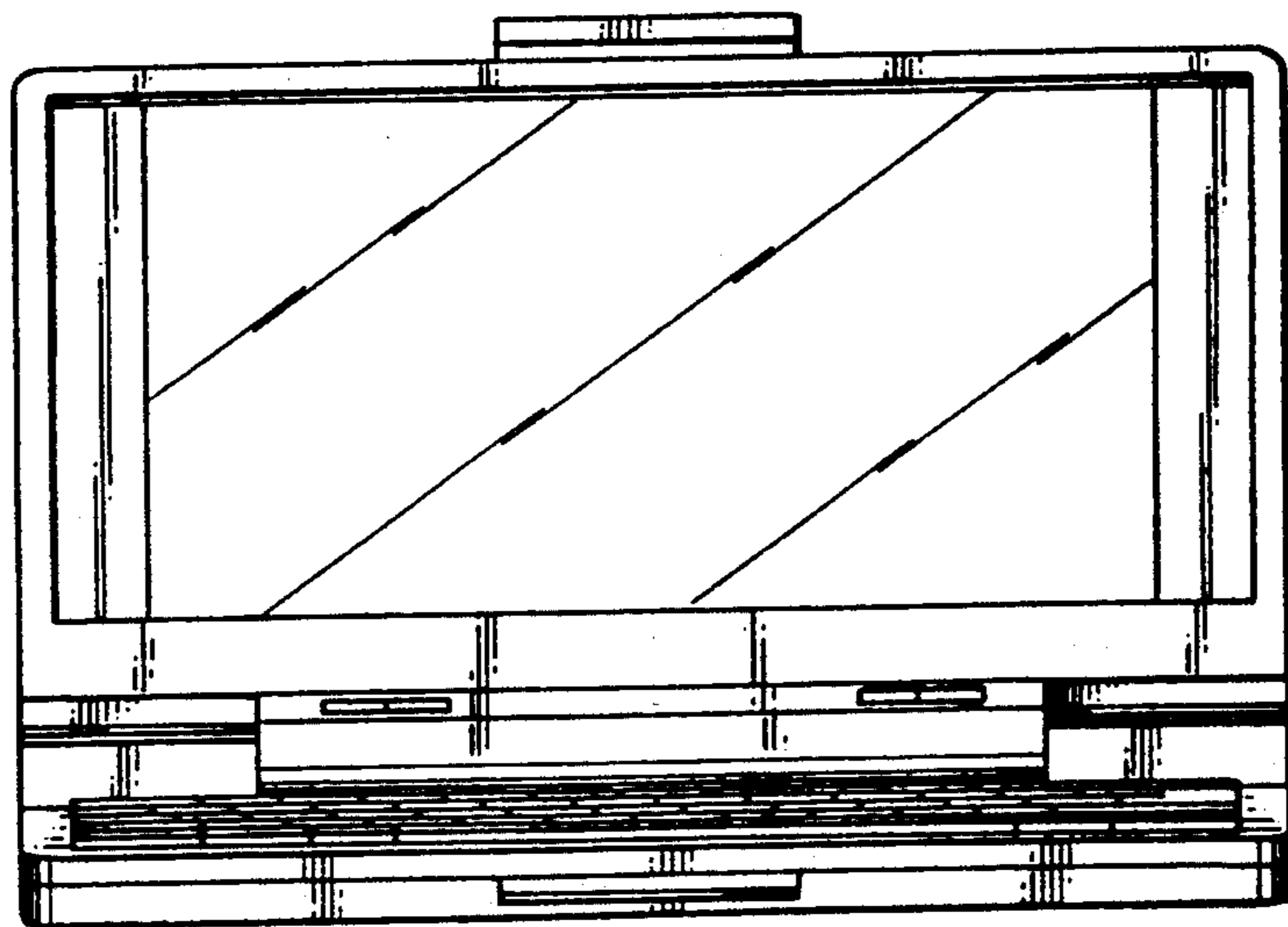


FIG.23

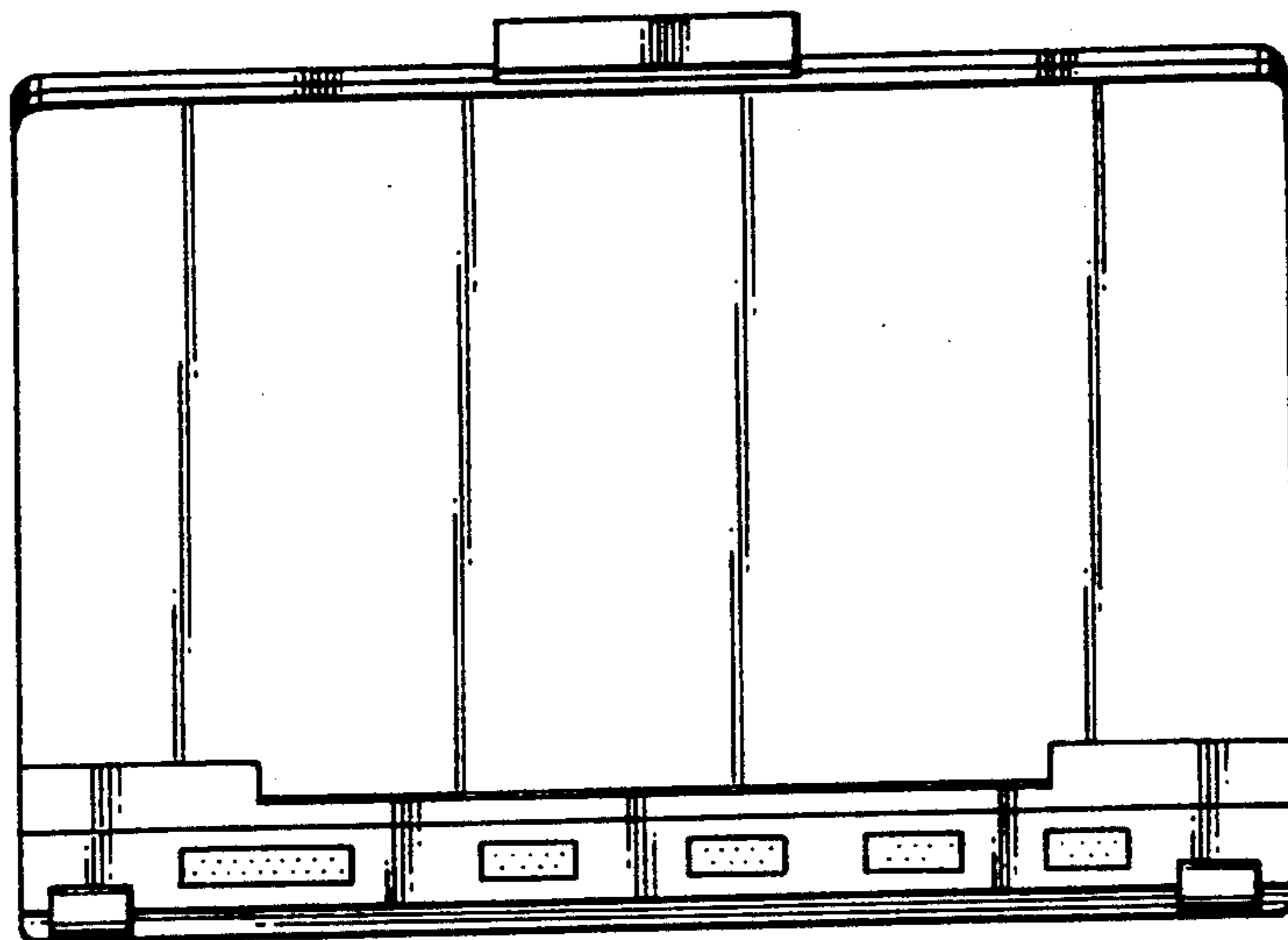


FIG.24

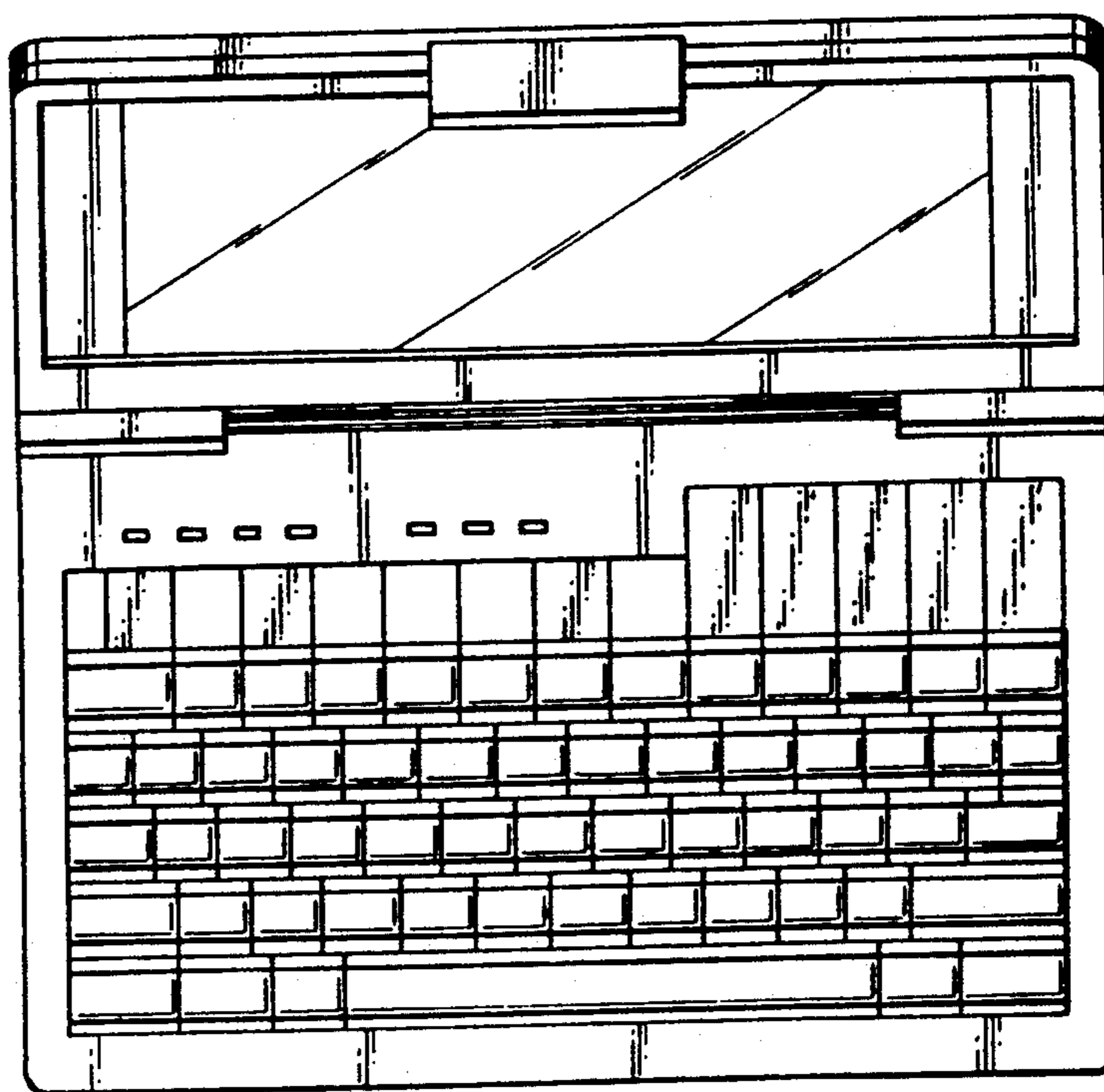


FIG. 25

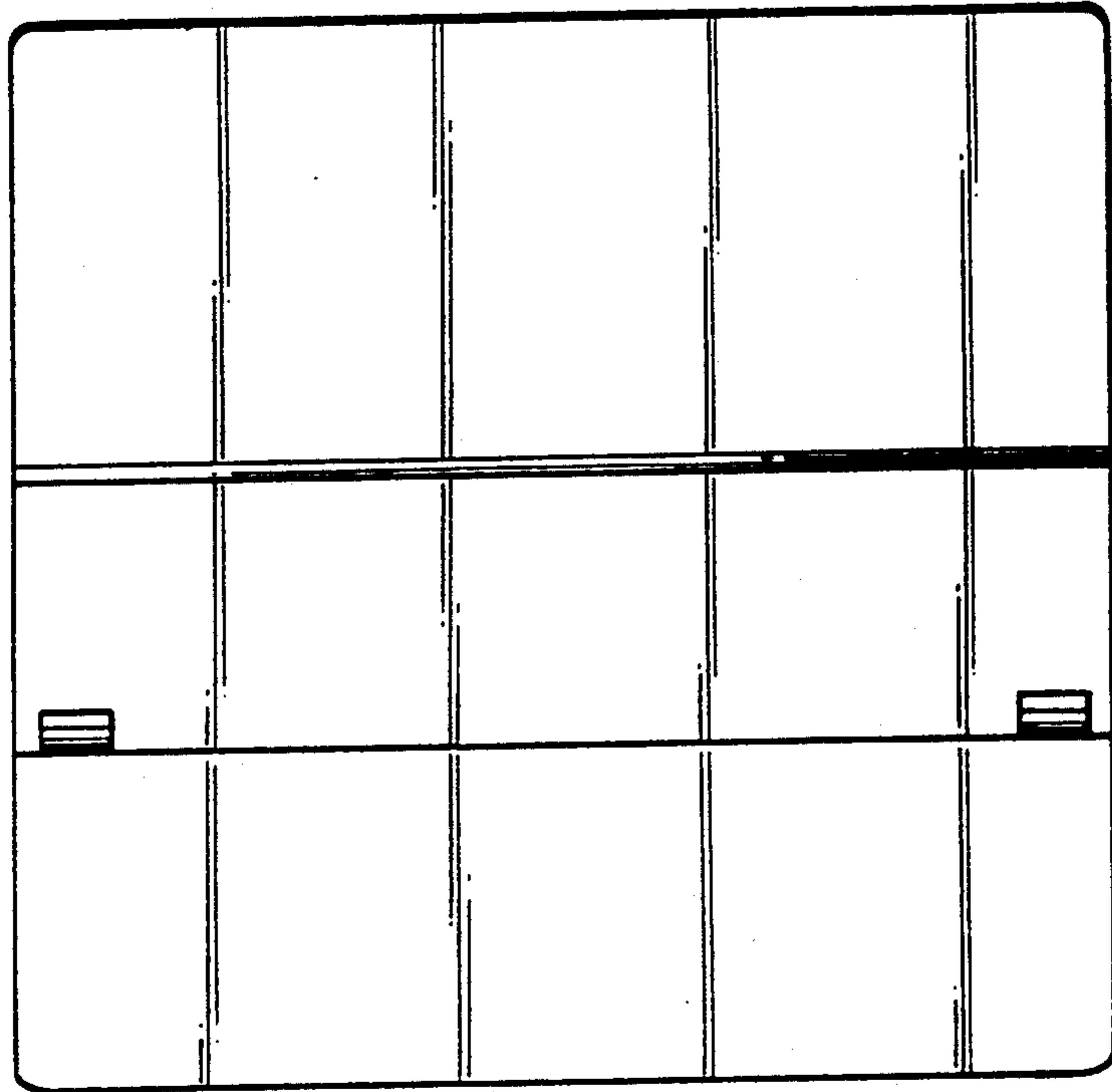


FIG. 26

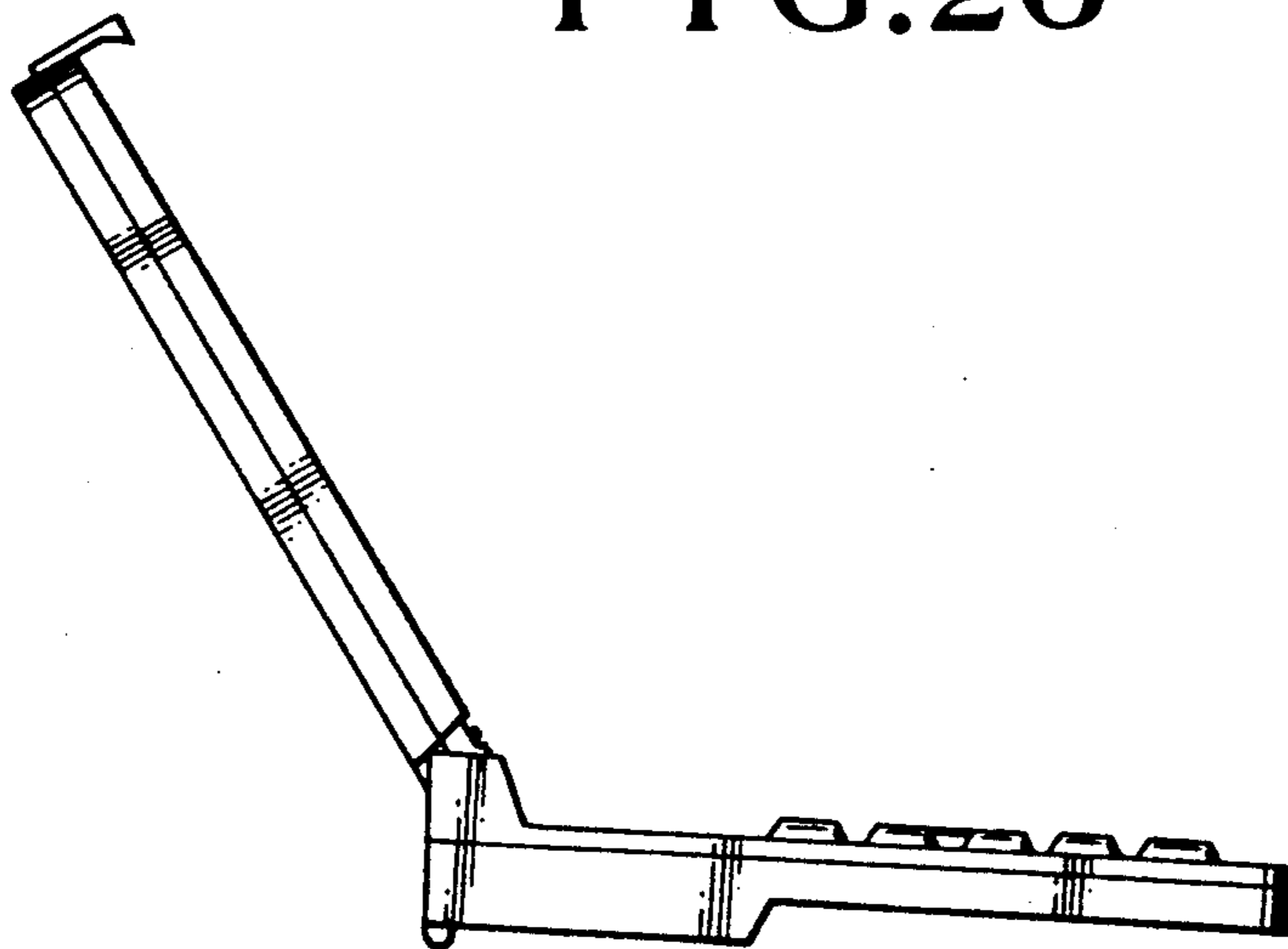


FIG. 27

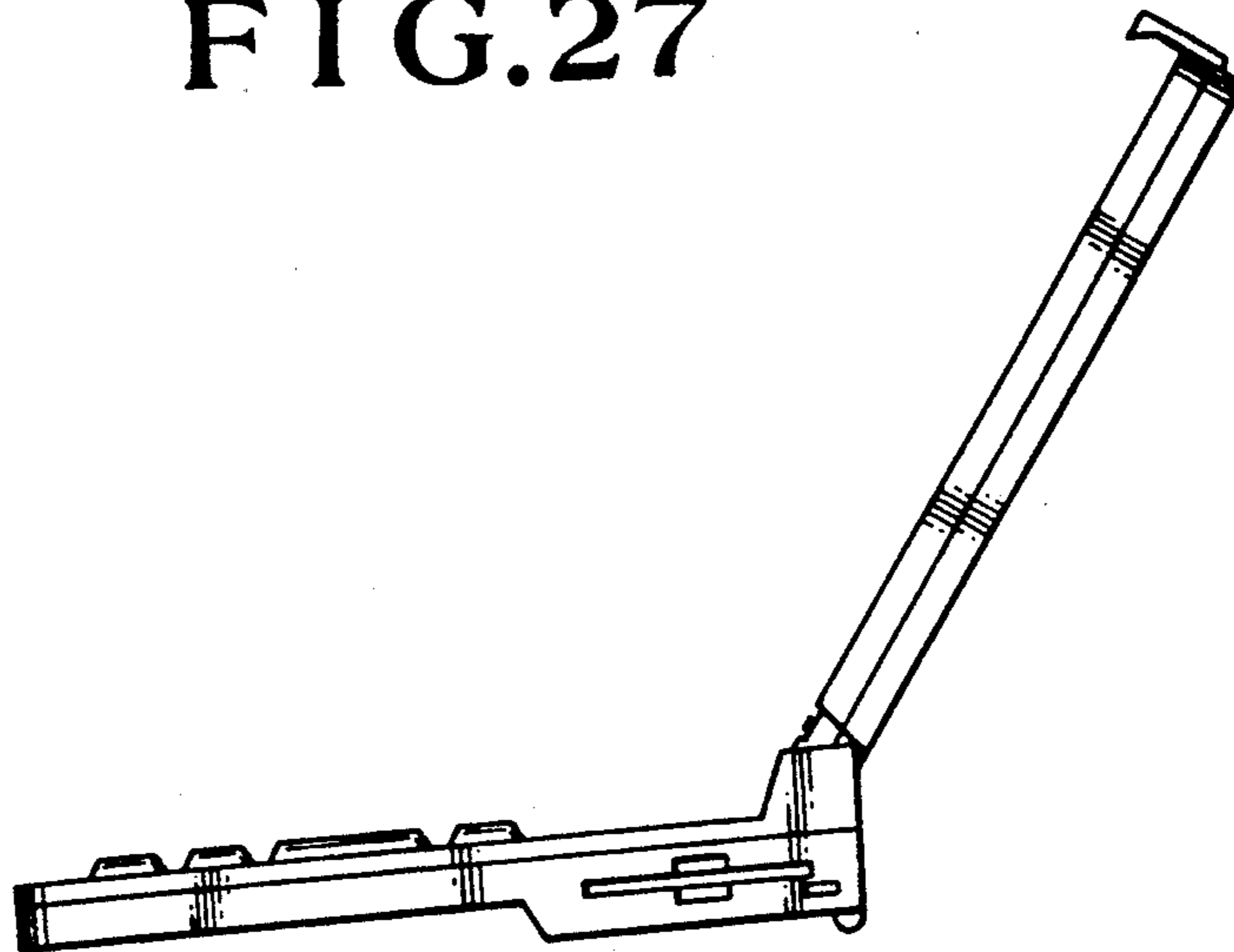


FIG. 28

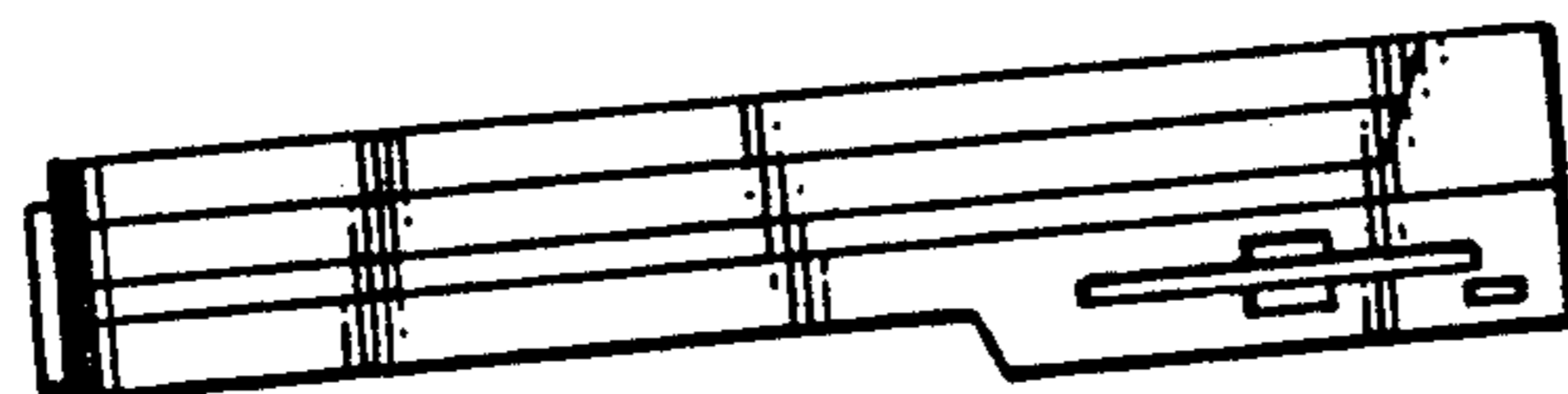


FIG. 29

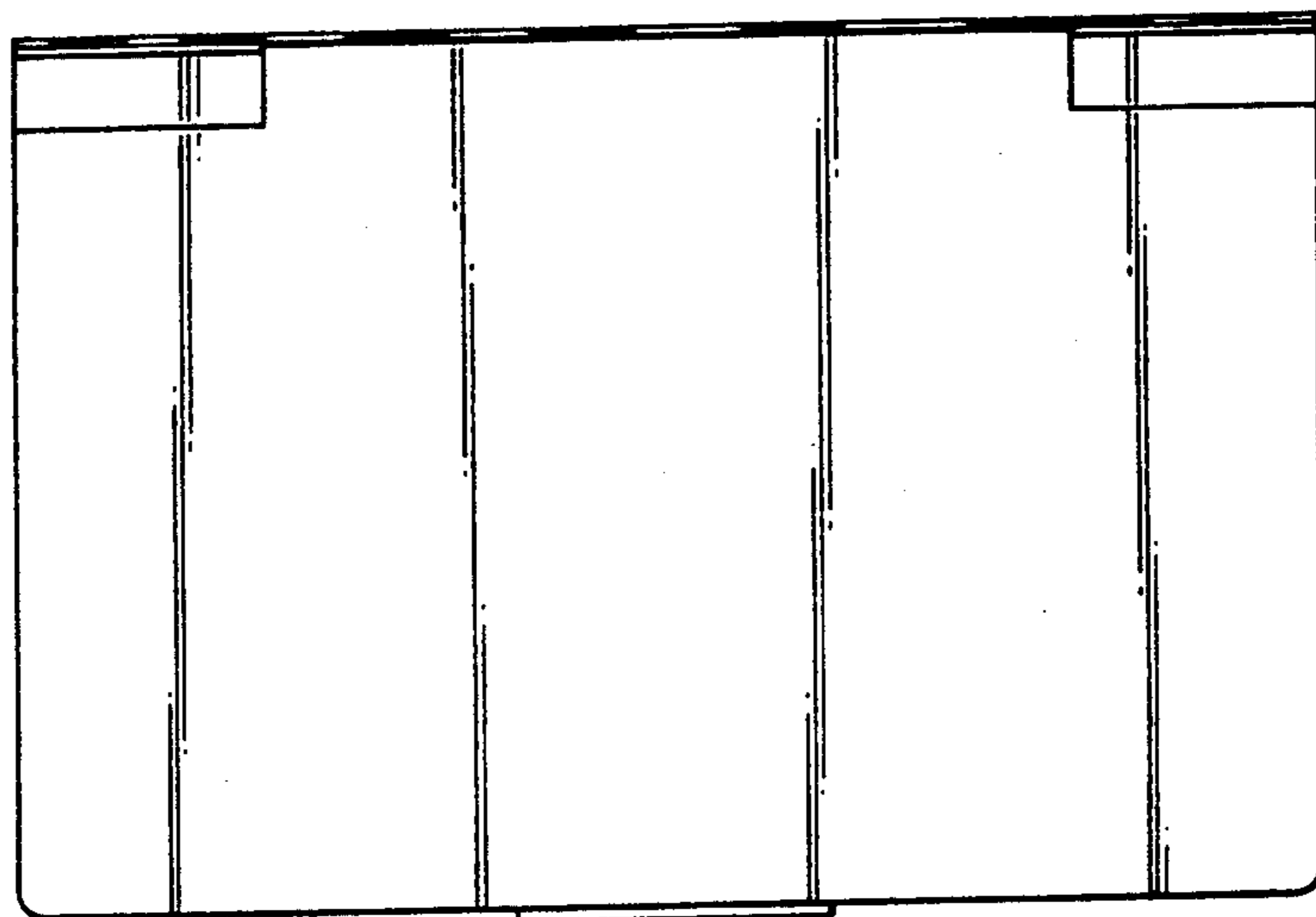


FIG. 30

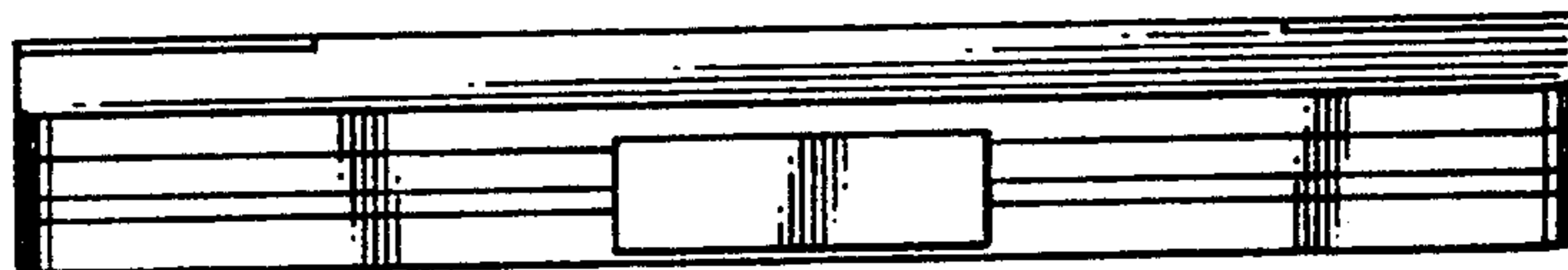


FIG. 31

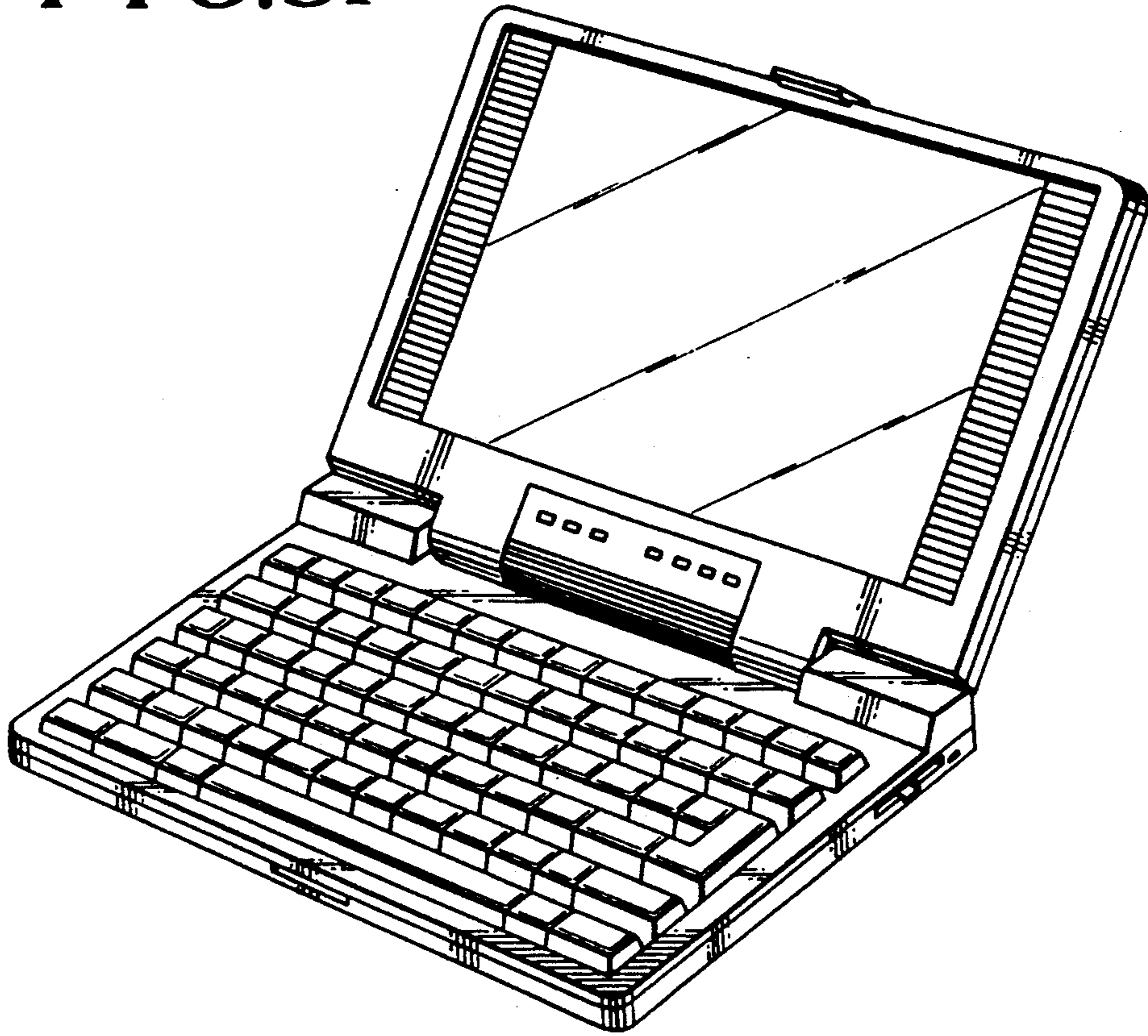


FIG. 32

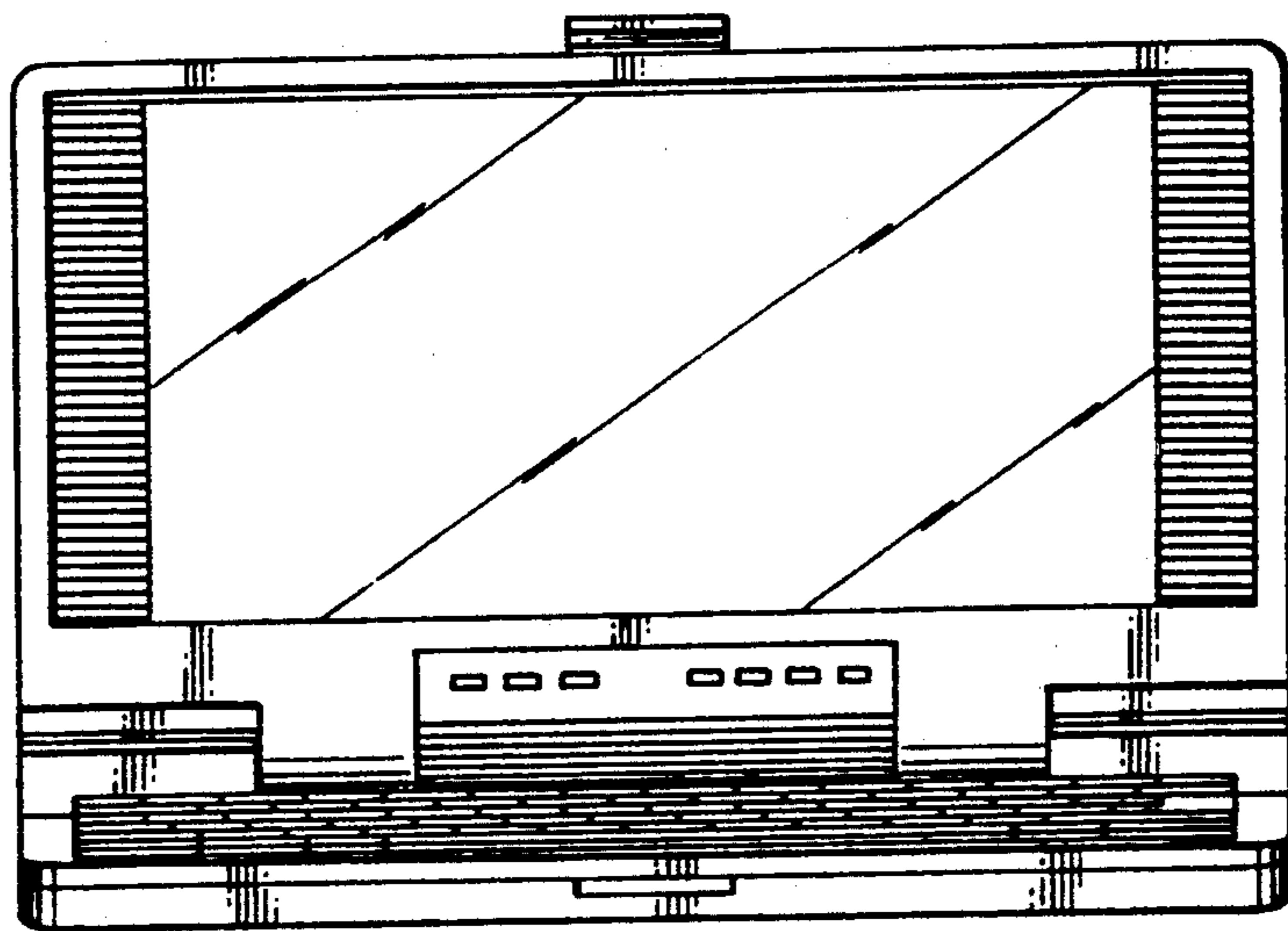


FIG.33

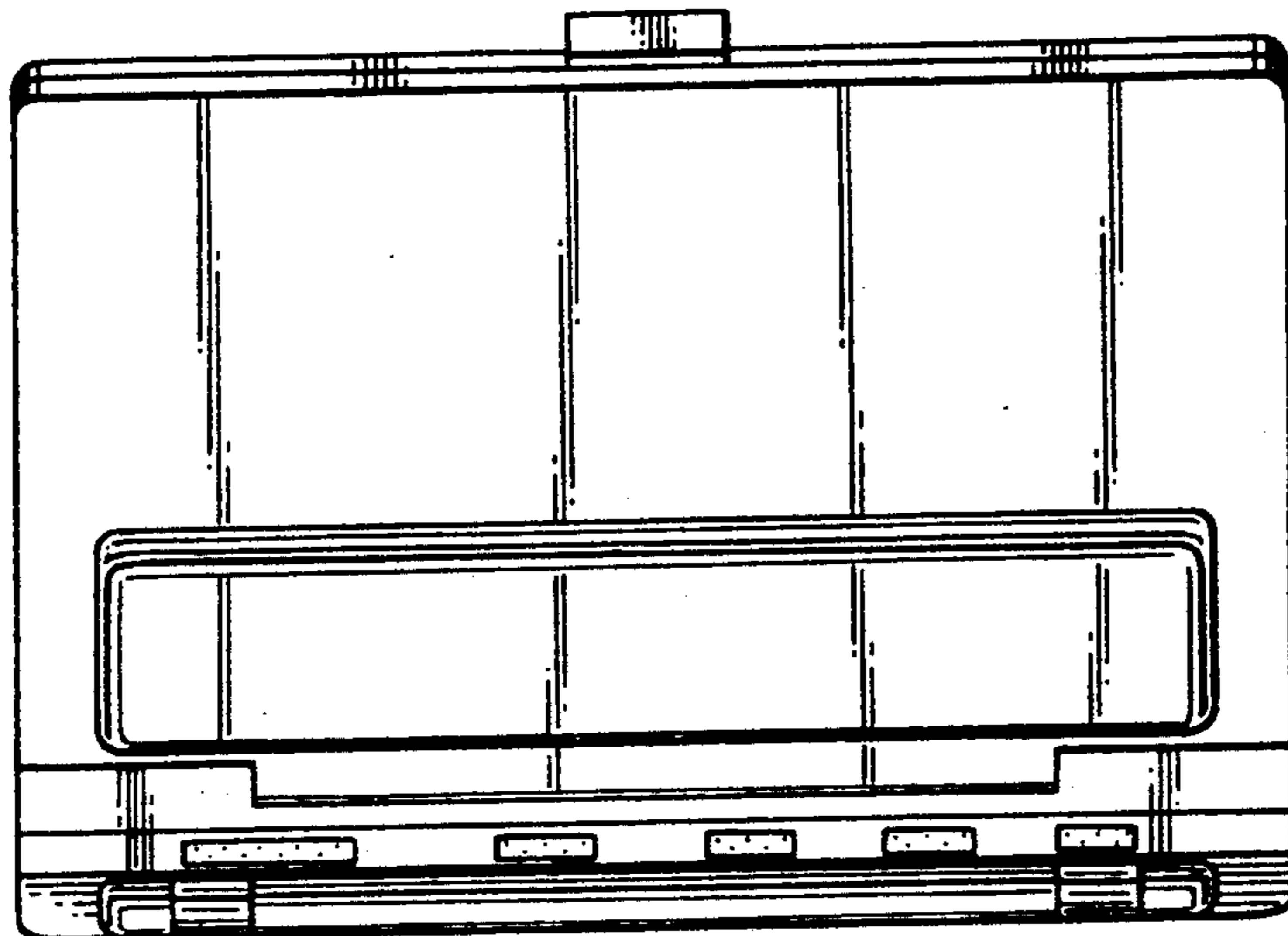


FIG.34

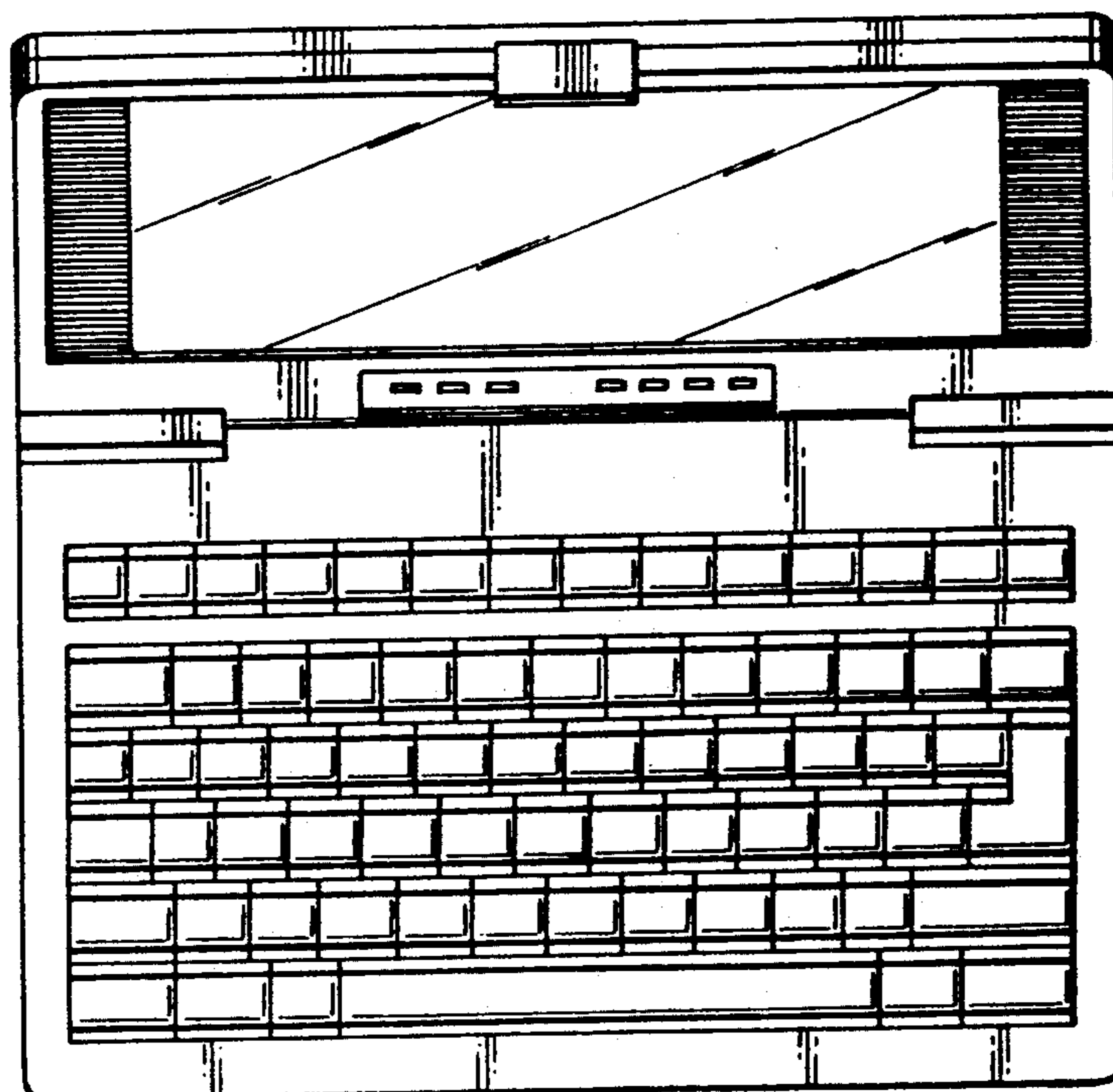


FIG.35

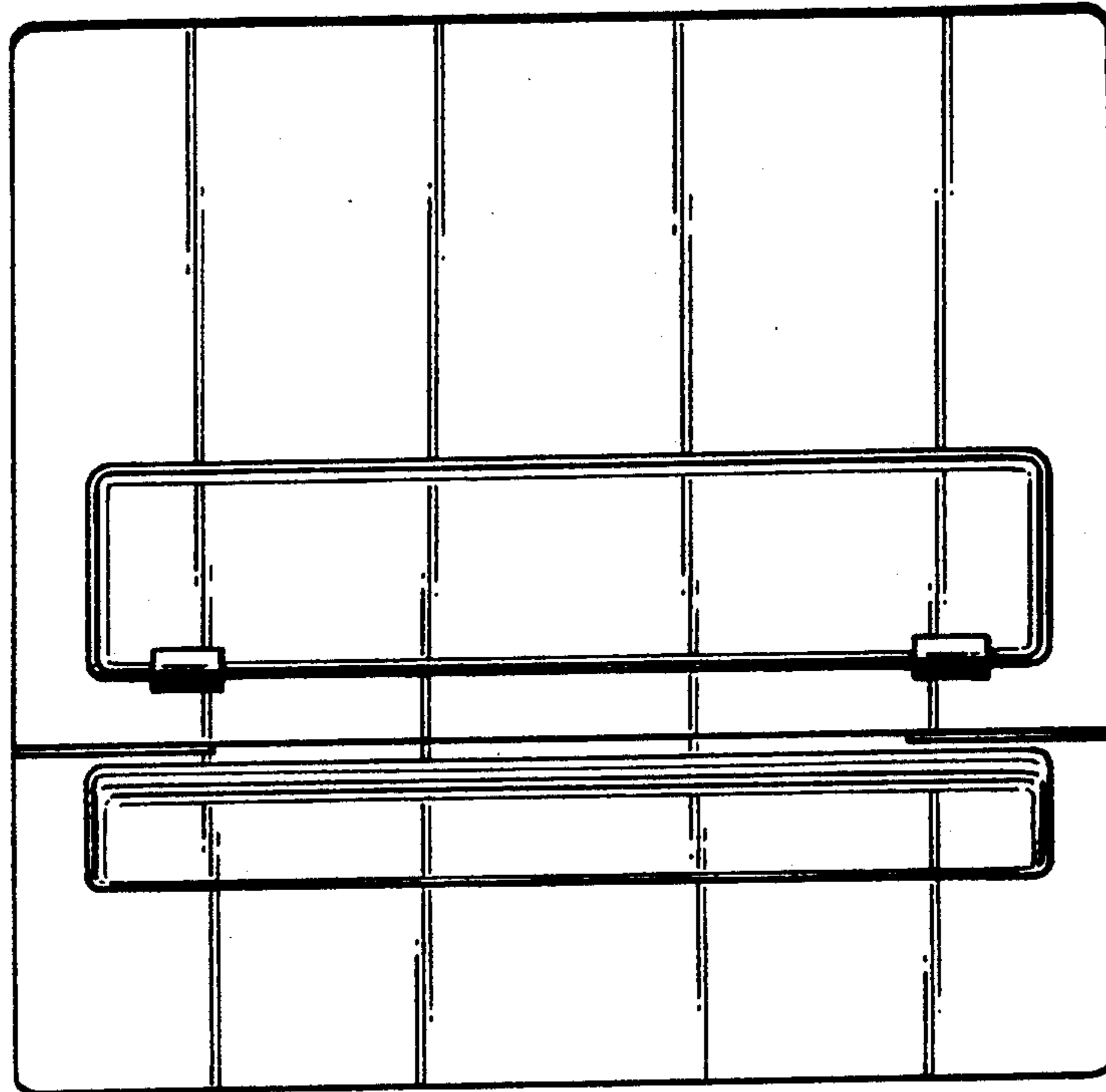


FIG.36

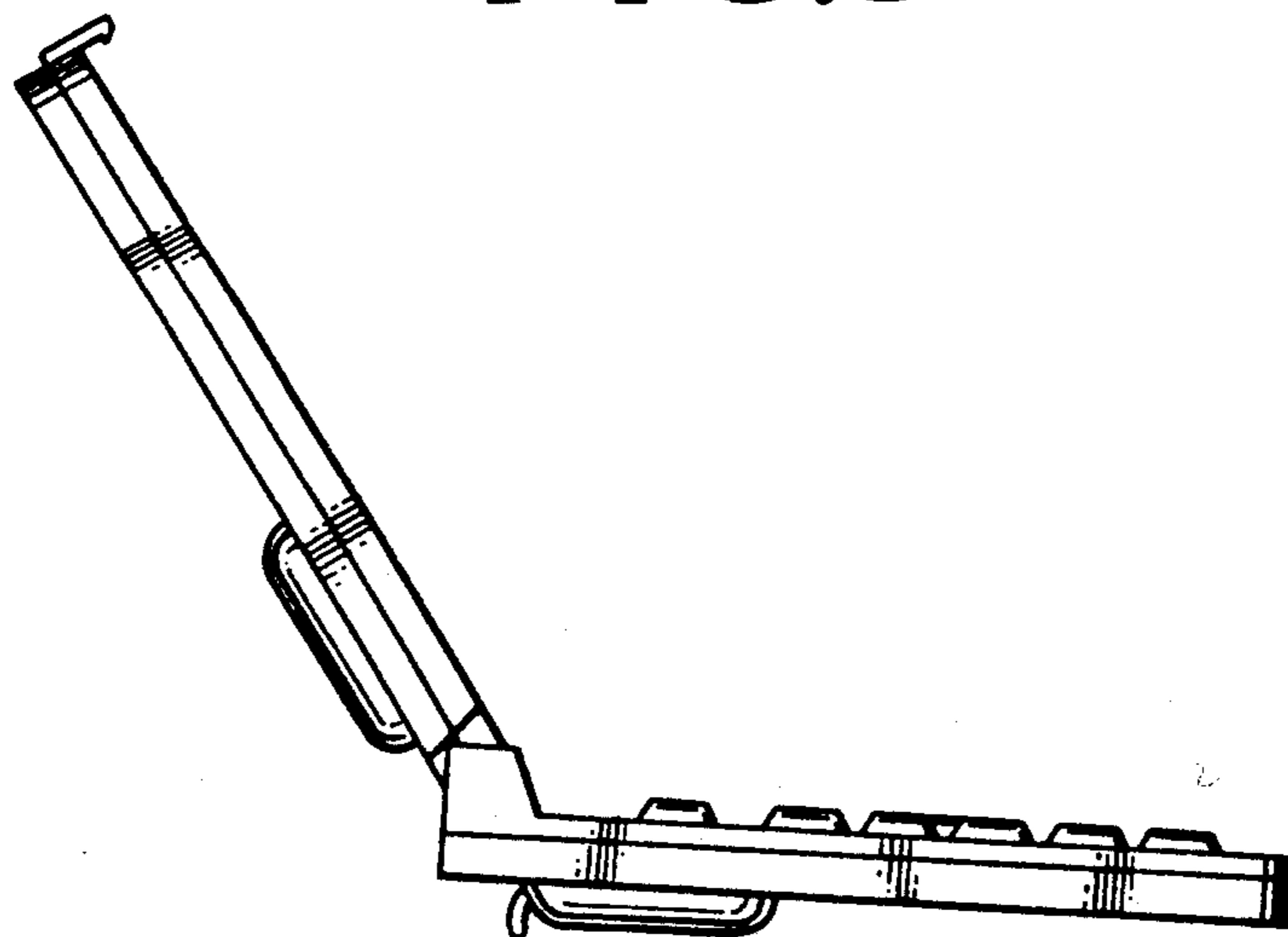


FIG.37

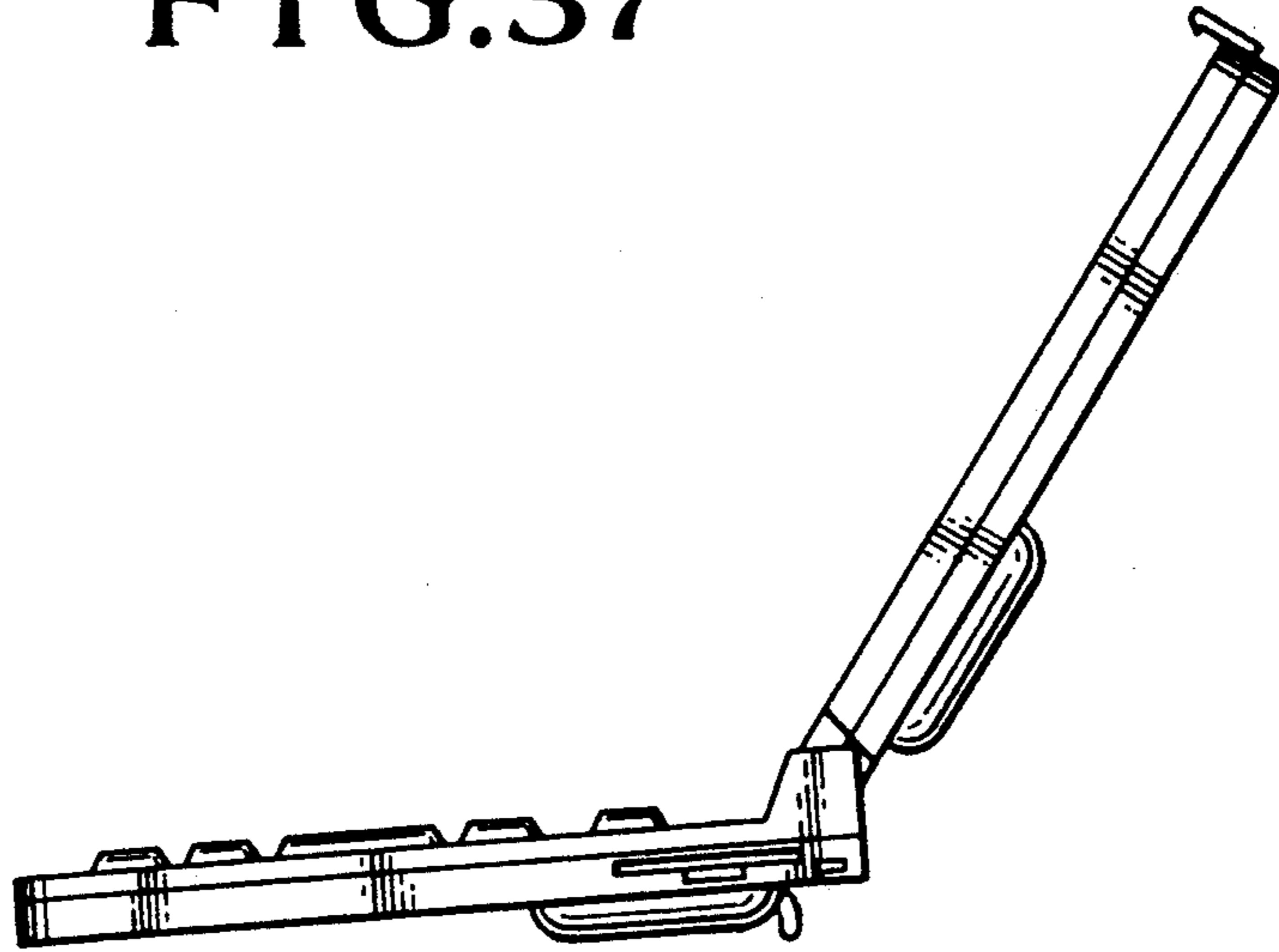


FIG.38



FIG.39

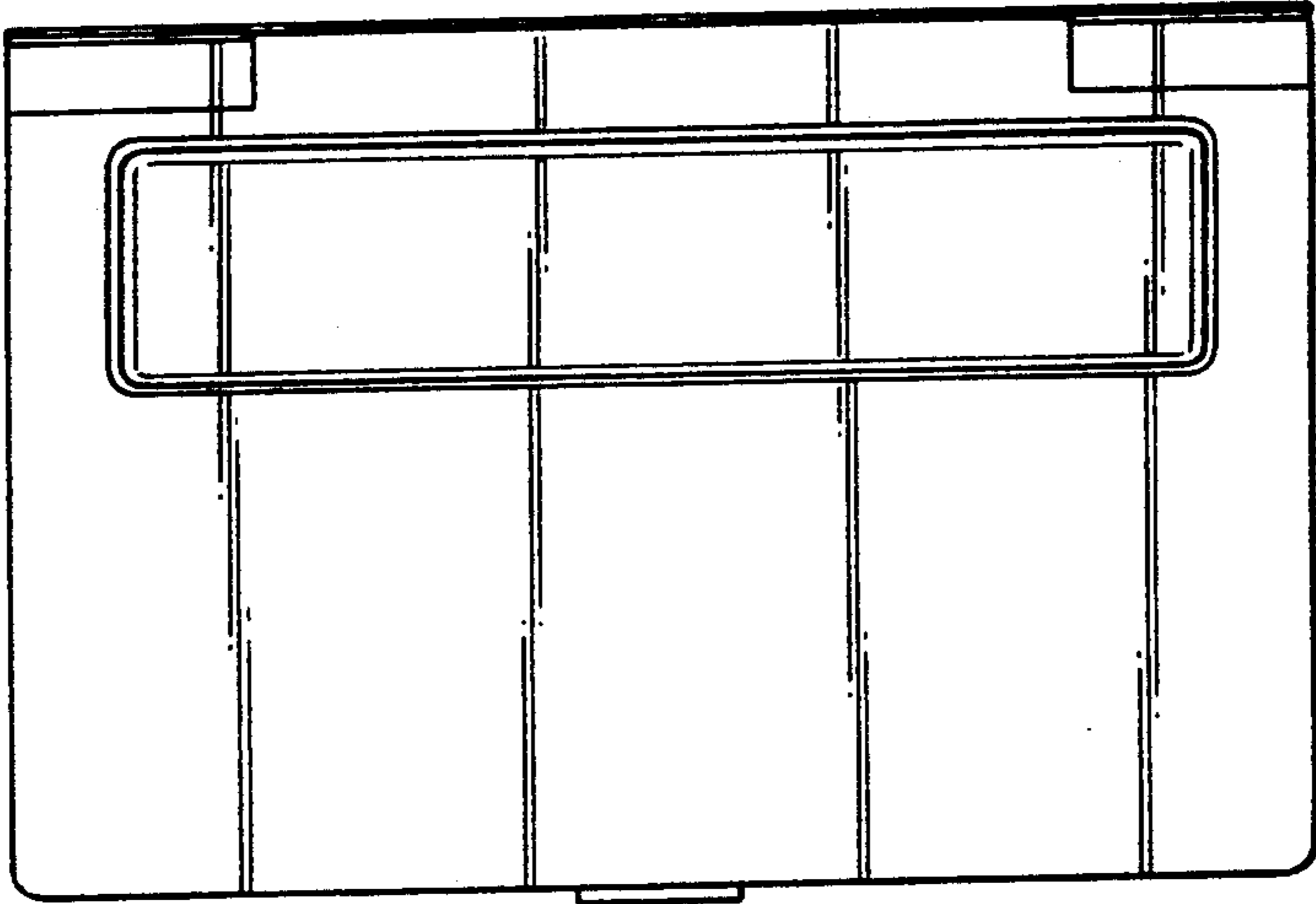


FIG.40

