



US00D324848S

United States Patent [19]

[11] Patent Number: **Des. 324,848**

Nagasaka et al.

[45] Date of Patent: ** Mar. 24, 1992

[54] **HOUSING FOR ELECTRICAL CONNECTOR**

4,593,965	6/1986	Joly	439/685 X
4,655,527	4/1987	Van Dame	439/350
4,842,541	6/1989	Leandris	439/282 X
4,915,649	4/1990	Shimazu et al.	D13/147 X
4,938,710	7/1990	Aihara et al.	439/345

[75] Inventors: **Yasuhiro Nagasaka; Yasuo Hirayama**, both of Toyota; **Shigekazu Wakata; Shinichi Yamada**, both of Yokkaichi; **Yoshihiro Tanaka**, Mie, all of Japan

Primary Examiner—Susan J. Lucas
Assistant Examiner—J. Sincavage
Attorney, Agent, or Firm—Nils H. Ljungman & Associates

[73] Assignee: **Sumitomo Wiring Systems, Ltd.**, Yokkaichi, Japan

[**] Term: **14 Years**

[57] **CLAIM**

[21] Appl. No.: **339,632**

The ornamental design for a housing for an electrical connector, as shown and described.

[22] Filed: **Apr. 18, 1989**

DESCRIPTION

[30] **Foreign Application Priority Data**

Oct. 20, 1988 [JP] Japan 63-41165

[52] U.S. Cl. **D13/147**

[58] Field of Search D13/133, 146, 147;
439/246-248, 259, 282, 296, 299, 345, 350,
351-353, 357, 358, 374, 529, 533, 575, 586, 587,
592-598, 600, 656, 668, 678, 679, 680, 682, 685,
686, 691, 692, 695, 701, 723, 724, 729

FIG. 1 is a front perspective view of a housing for an electrical connector showing our new design; FIG. 2 is a front elevational view thereof; FIG. 3 is a rear elevational view thereof; FIG. 4 is a top plan view thereof; FIG. 5 is a bottom plan view thereof; FIG. 6 is a right side elevational view thereof, the left side elevational view being a mirror image; and, FIG. 7 is a cross-sectional view thereof taken along line 7-7 of FIG. 2.

[56] **References Cited**

U.S. PATENT DOCUMENTS

D. 311,379	10/1990	Kuzuno et al.	D13/146
D. 312,243	11/1990	Yamamoto	D13/147
3,179,738	4/1965	De Lyon	D13/147 X

The broken line showing, of the end apertures and of the projection, throughout the drawing figures is included for the purpose of illustrating environmental elements only and forms no part of the claimed design.

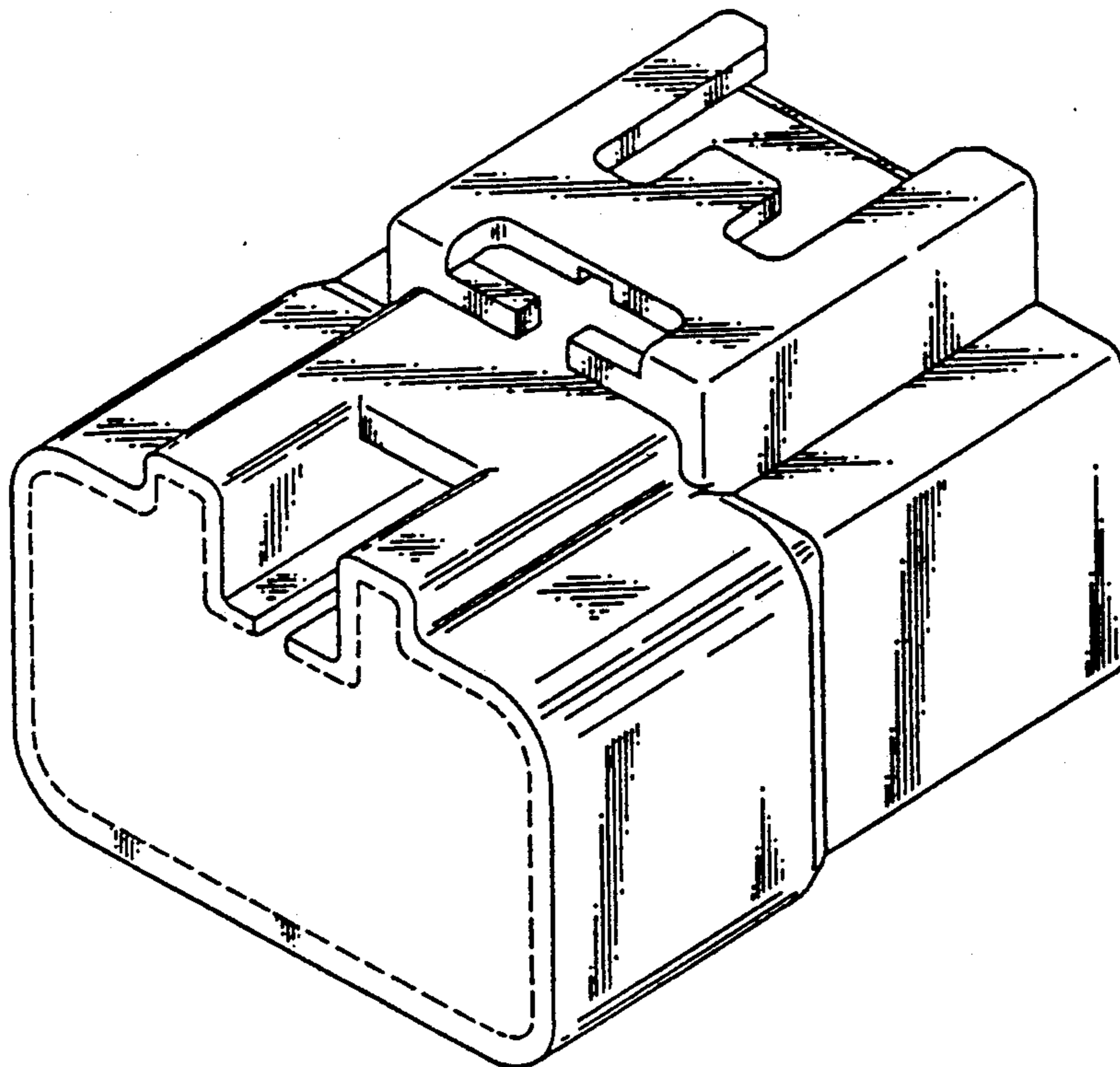


FIG. 1

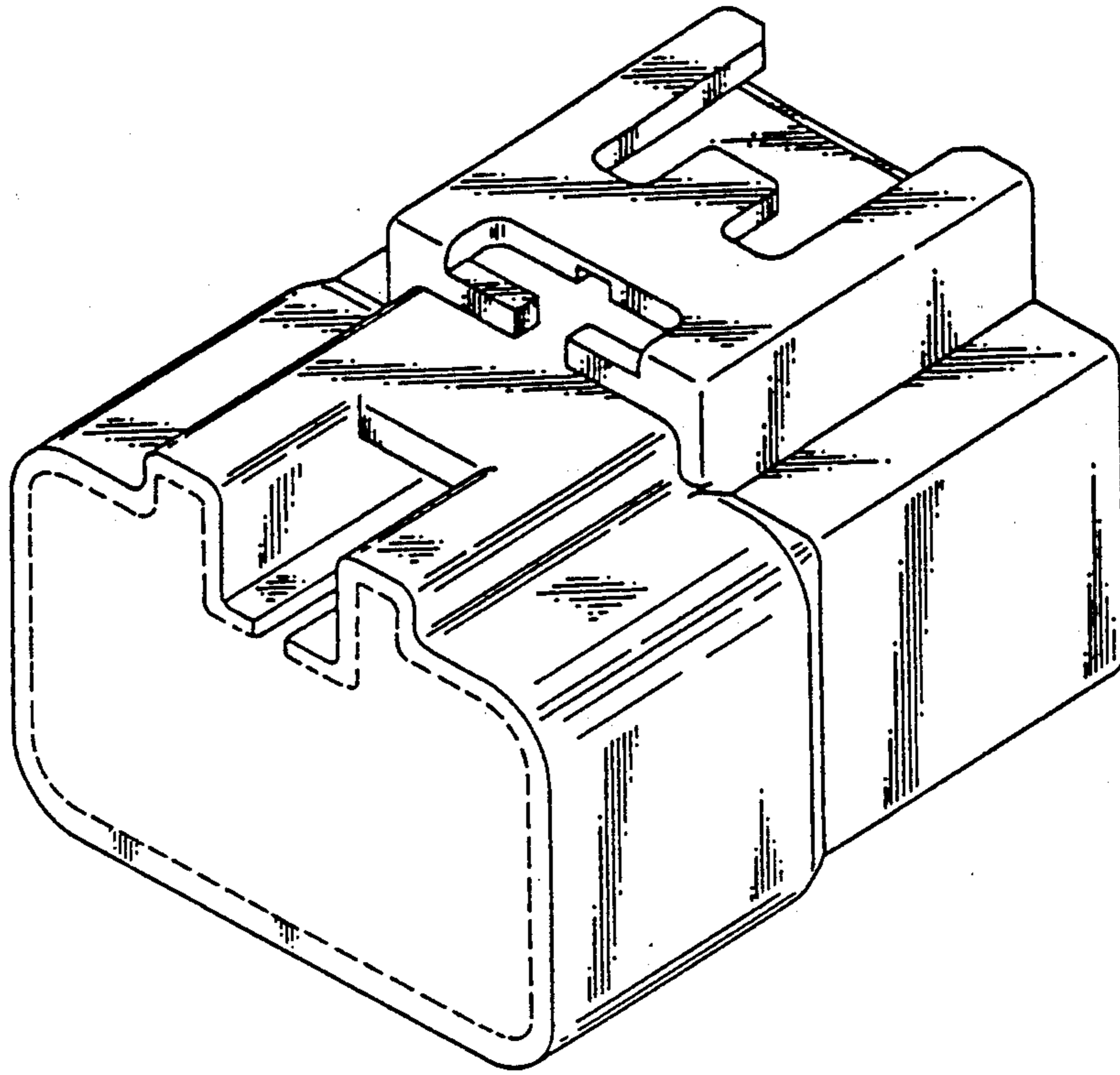


FIG. 2

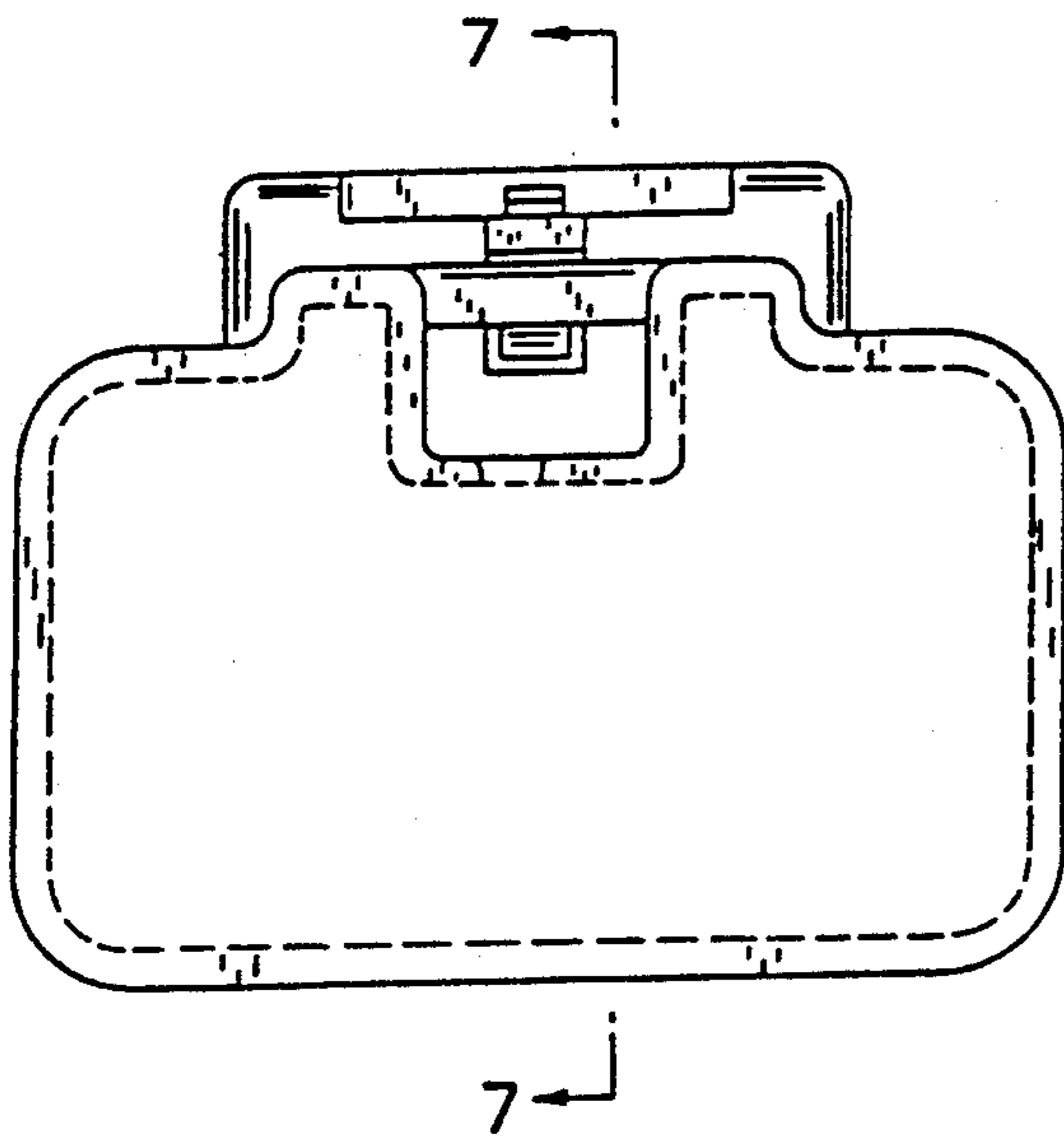


FIG. 3

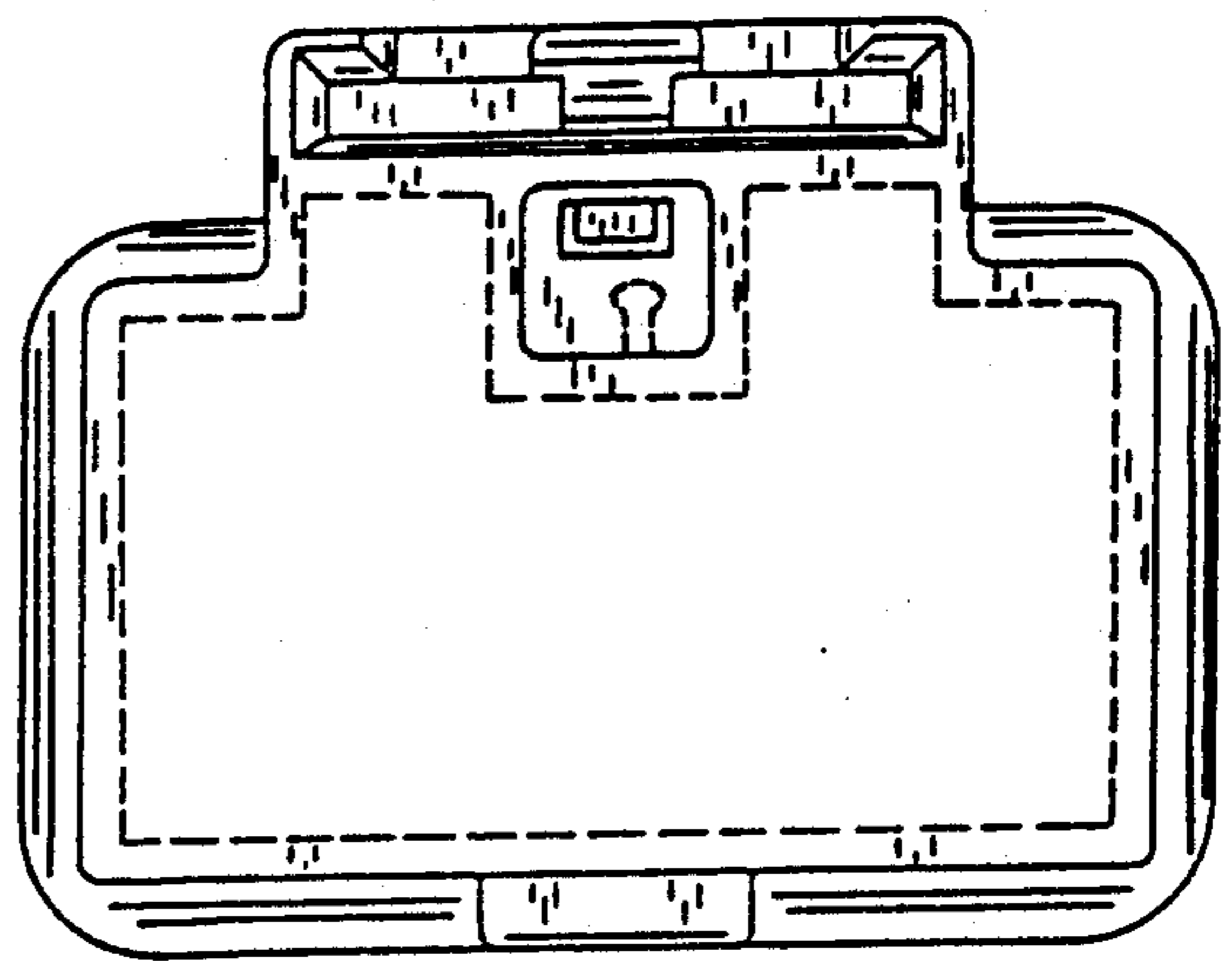


FIG. 4

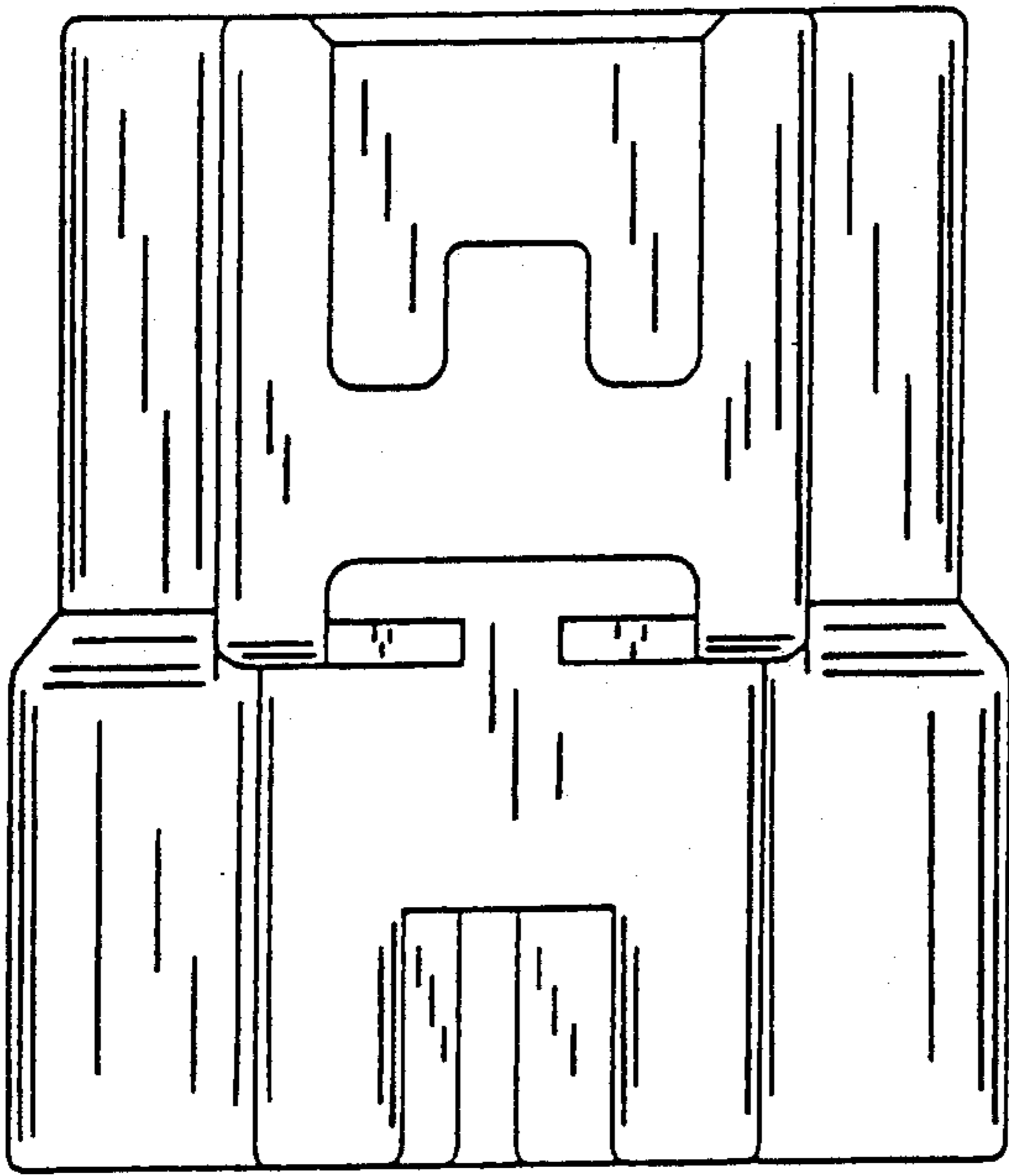


FIG. 5

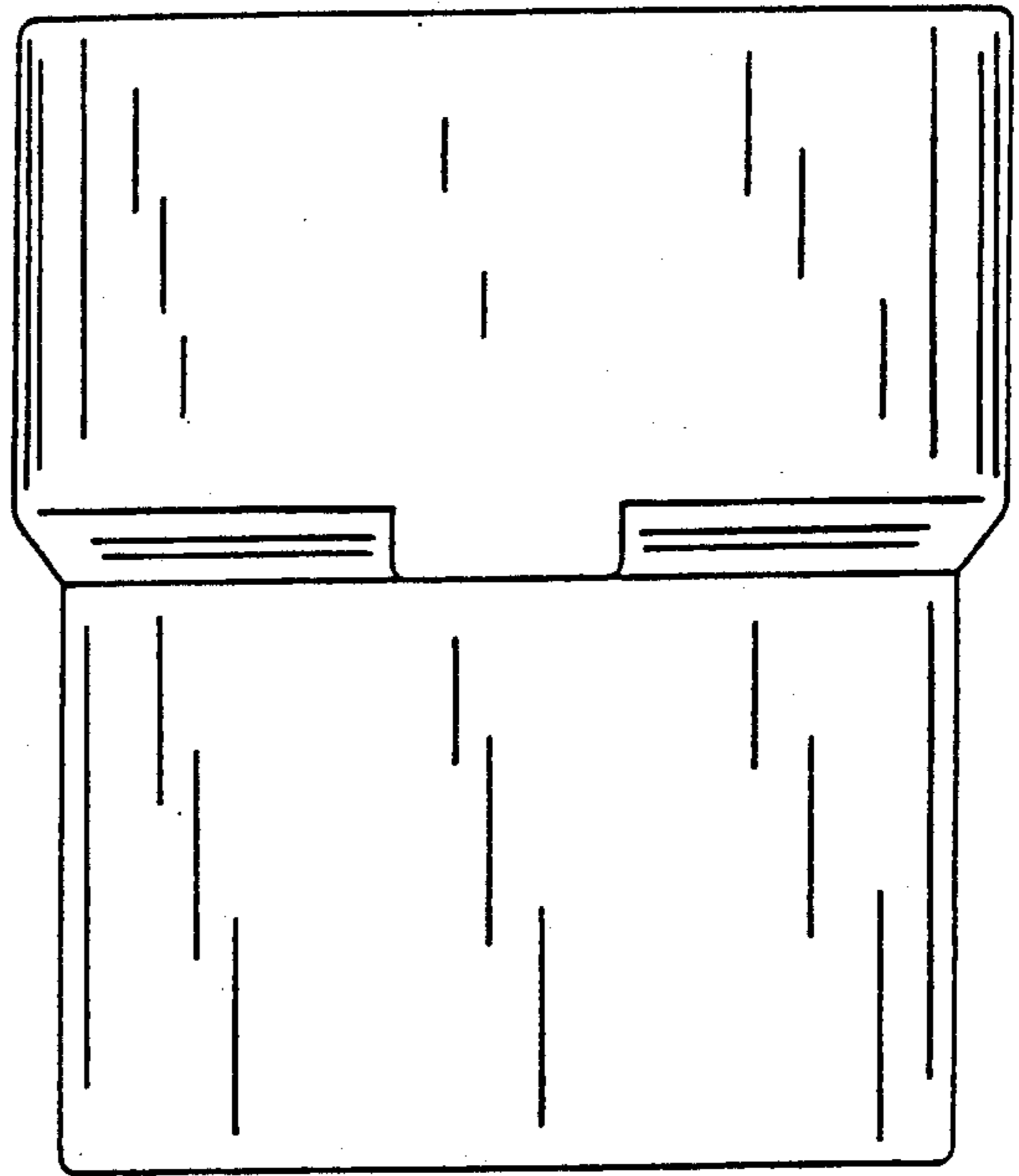


FIG. 6

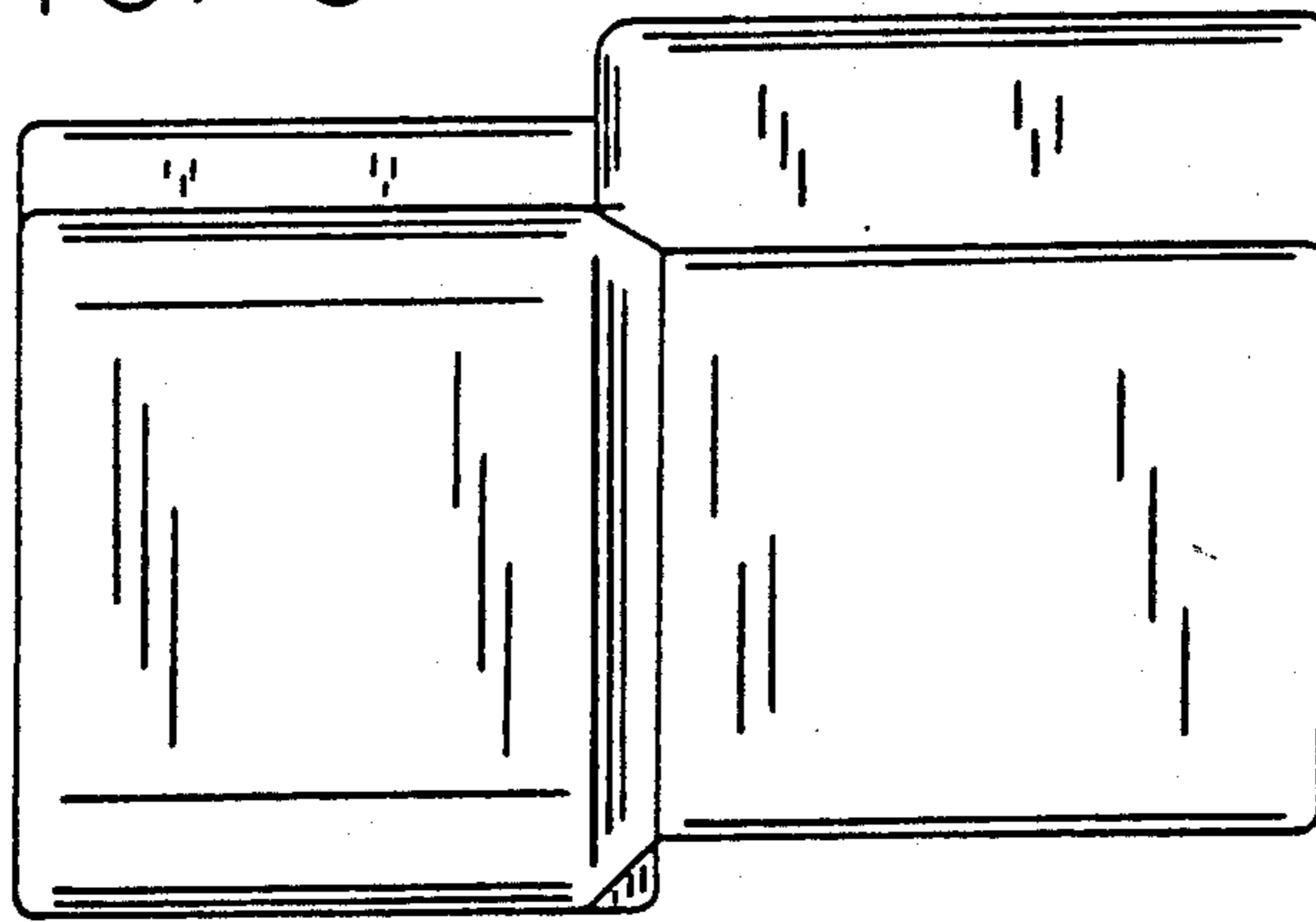


FIG. 7

