



US00D324847S

United States Patent [19]

[11] Patent Number: **Des. 324,847**

Nagasaka et al.

[45] Date of Patent: **** Mar. 24, 1992**

[54] HOUSING FOR AN ELECTRICAL CONNECTOR

[75] Inventors: **Yasuhiro Nagasaka; Yasuo Hirayama**, both of Toyota; **Shigekazu Wakata**, Yokkaichi; **Shinichi Yamada**, Yokkaichi; **Nobuyuki Asakawa**, Yokkaichi, all of Japan

[73] Assignee: **Sumitomo Wiring Systems, Ltd.**, Yokkaichi, Japan

[*] Notice: The portion of the term of this patent subsequent to Mar. 17, 2006 has been disclaimed.

[**] Term: **14 Years**

[21] Appl. No.: **340,014**

[22] Filed: **Apr. 18, 1989**

[30] Foreign Application Priority Data

Oct. 20, 1988 [JP] Japan 63-41159

[52] U.S. Cl. **D13/147**

[58] Field of Search **D13/133, 146, 147; 439/246-248, 259, 282, 296, 299, 345, 350, 351-353, 357, 358, 374, 529, 533, 575, 586, 587, 592-598, 600, 656, 668, 678, 679, 680, 682, 685, 686, 691, 692, 695, 701, 723, 724, 729**

[56] References Cited

U.S. PATENT DOCUMENTS

D. 311,379	10/1990	Kuzuno et al.	D13/146
D. 312,243	11/1990	Yamamoto	D13/147
3,179,738	4/1965	De Lyon	D13/147 X
4,593,965	6/1986	Joly	439/685 X
4,655,527	4/1987	Van Dame	439/350
4,842,541	6/1989	Leandris	439/282 X
4,915,649	4/1990	Shimazu et al.	D13/147 X
4,938,710	7/1990	Aihara et al.	439/345

Primary Examiner—Susan J. Lucas
Assistant Examiner—J. Sincavage
Attorney, Agent, or Firm—Nils H. Ljungman & Associates

[57] CLAIM

The ornamental design for a housing for an electrical connector, as shown and described.

DESCRIPTION

FIG. 1 is a front perspective view of a housing for an electrical connector showing our new design. FIG. 2 is a front elevational view thereof; FIG. 3 is a rear elevational view thereof; FIG. 4 is a top plan view thereof; FIG. 5 is a bottom plan view thereof; FIG. 6 is a right side elevational view thereof, the left side elevational view being a mirror image; and, FIG. 7 is a cross-sectional view thereof taken along line 7-7 of FIG. 2.

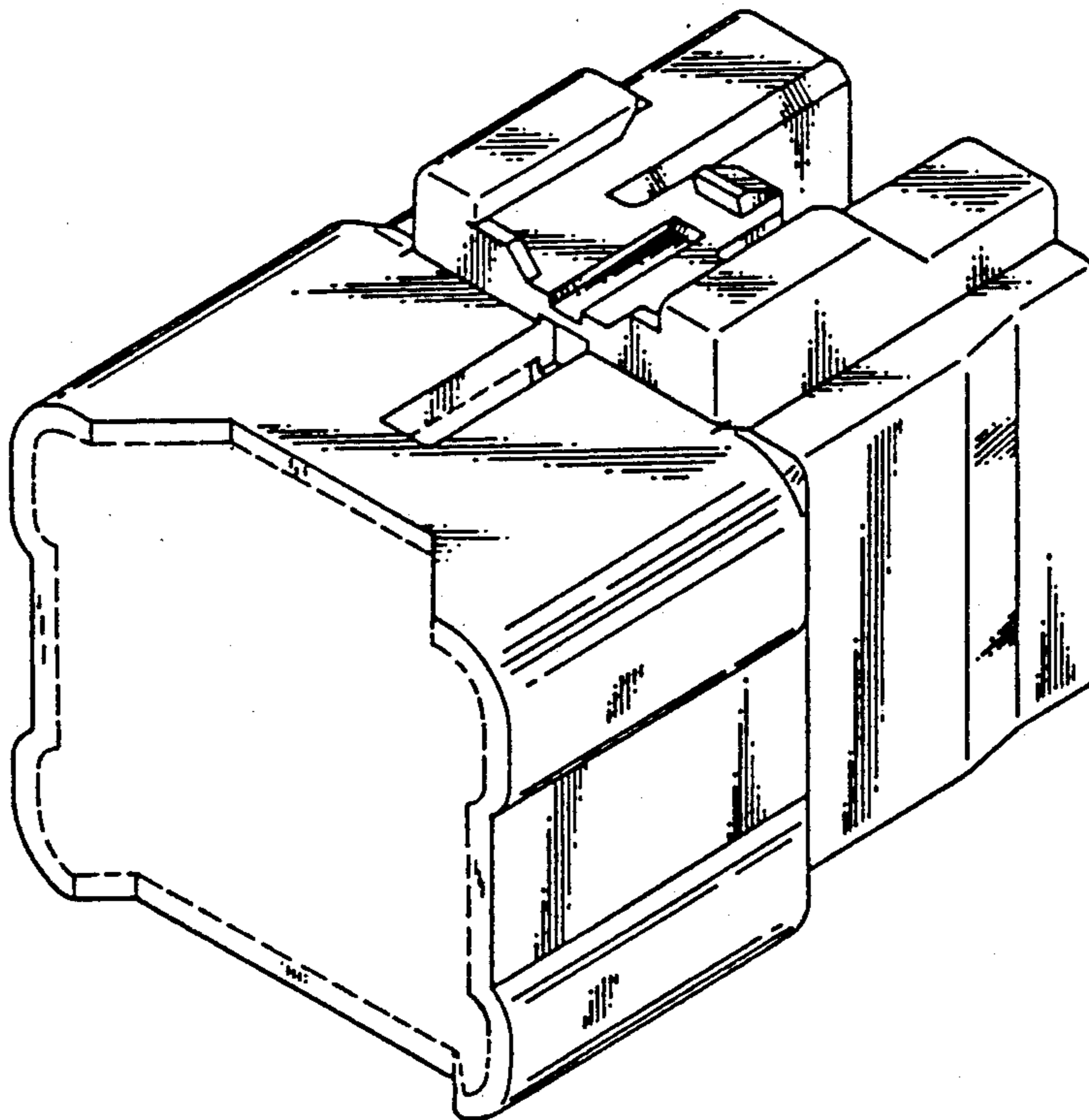


FIG. 1

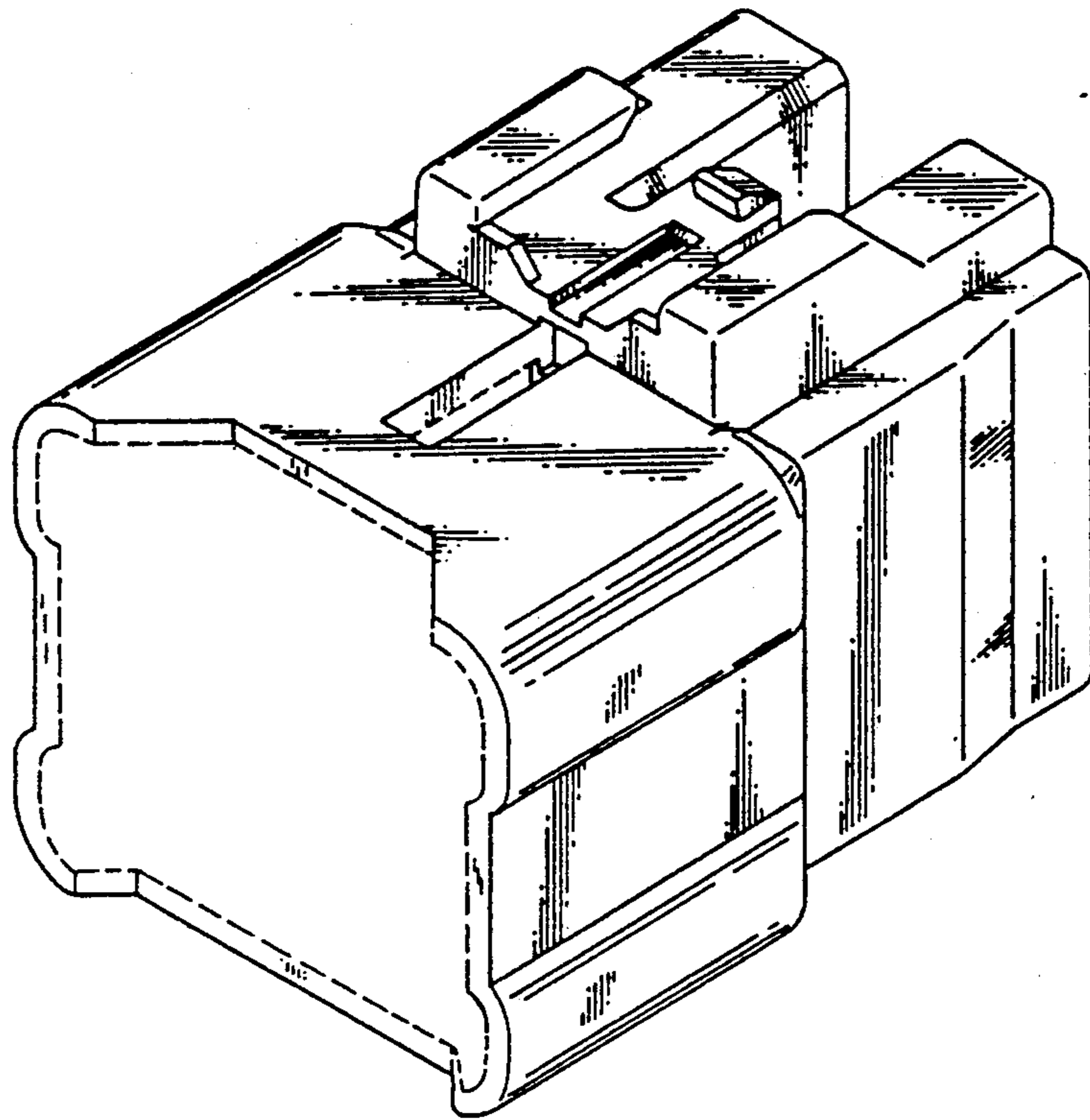
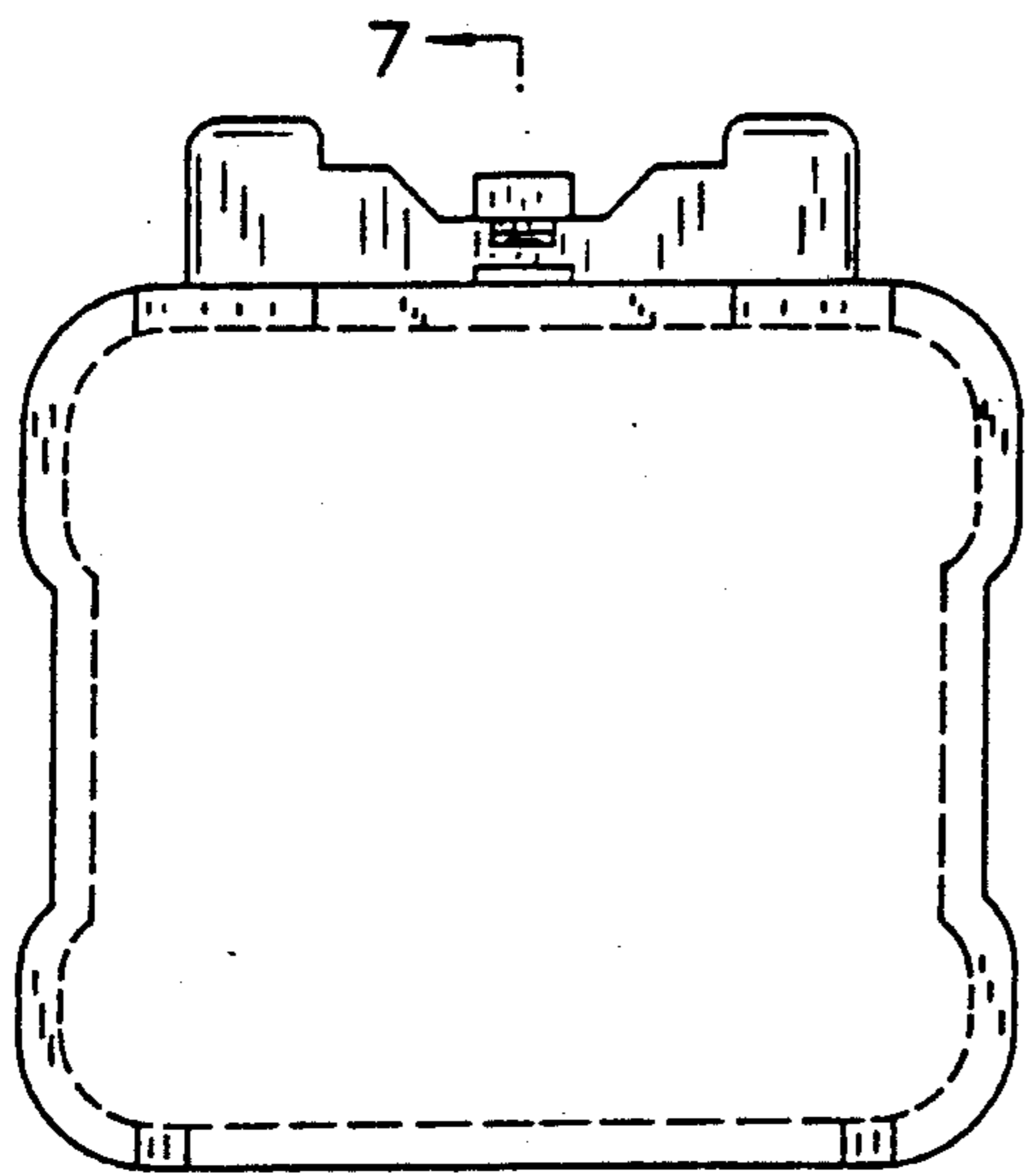
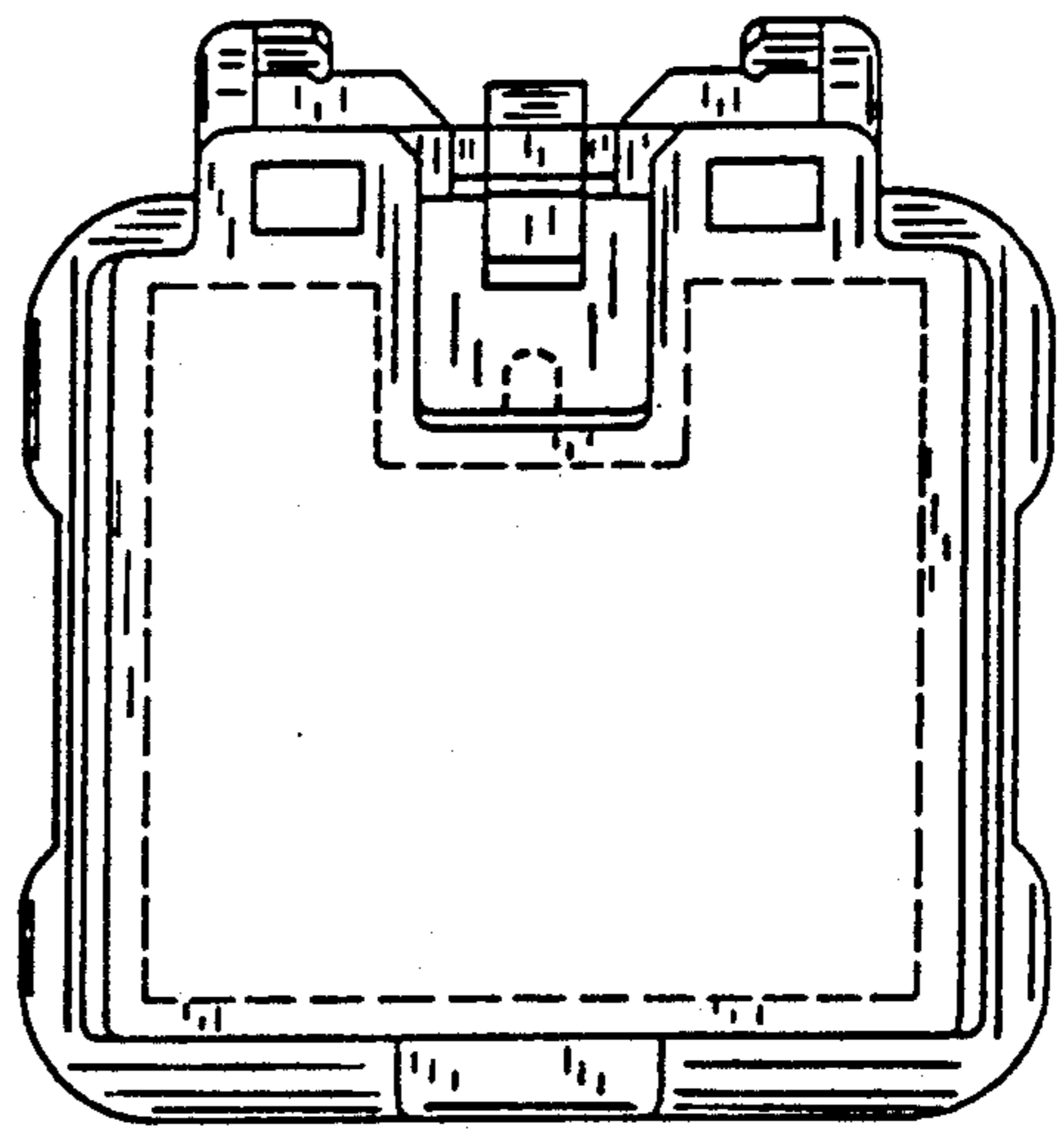


FIG. 2



7

FIG. 3



7

FIG. 4

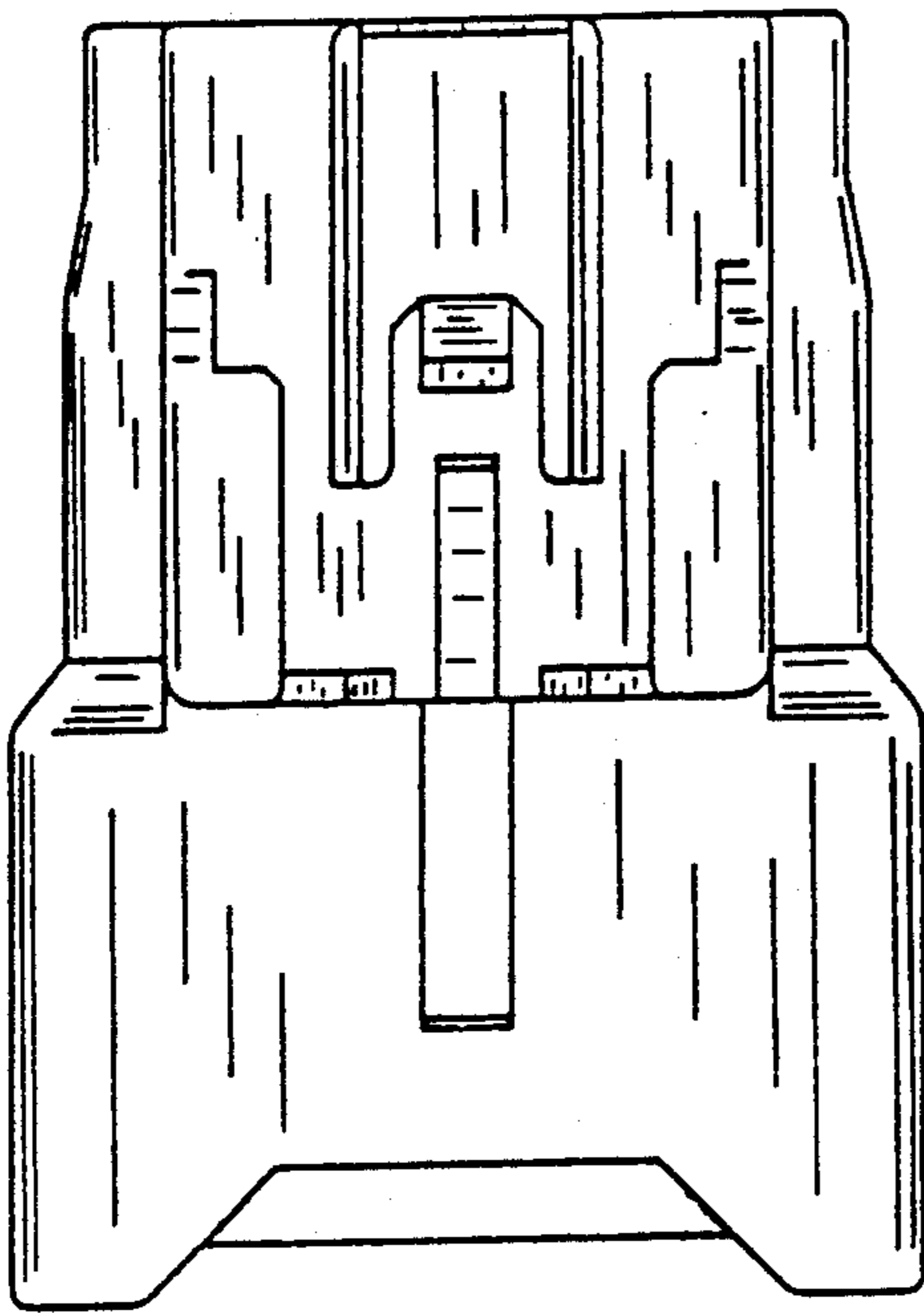


FIG. 5

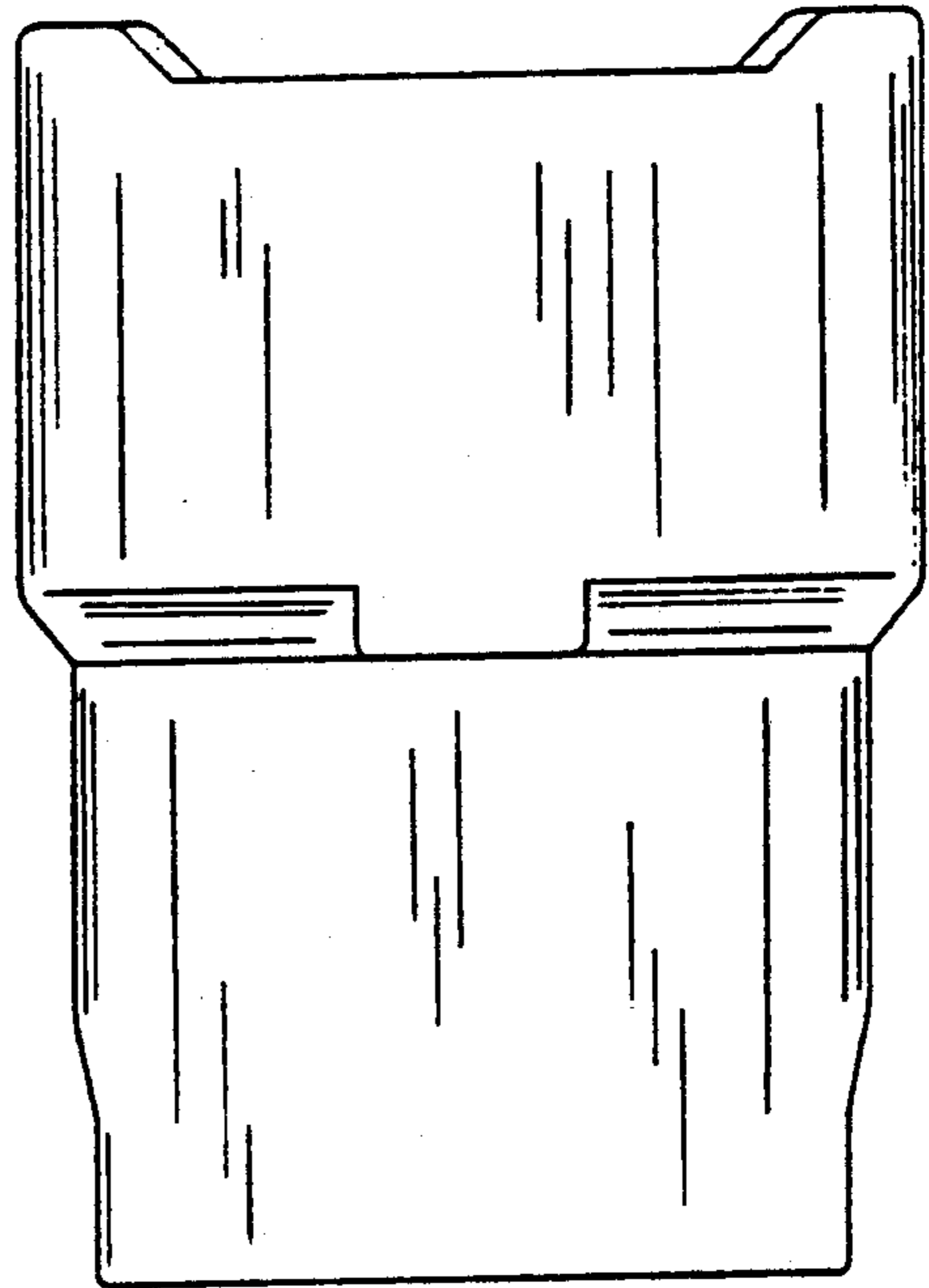


FIG. 6

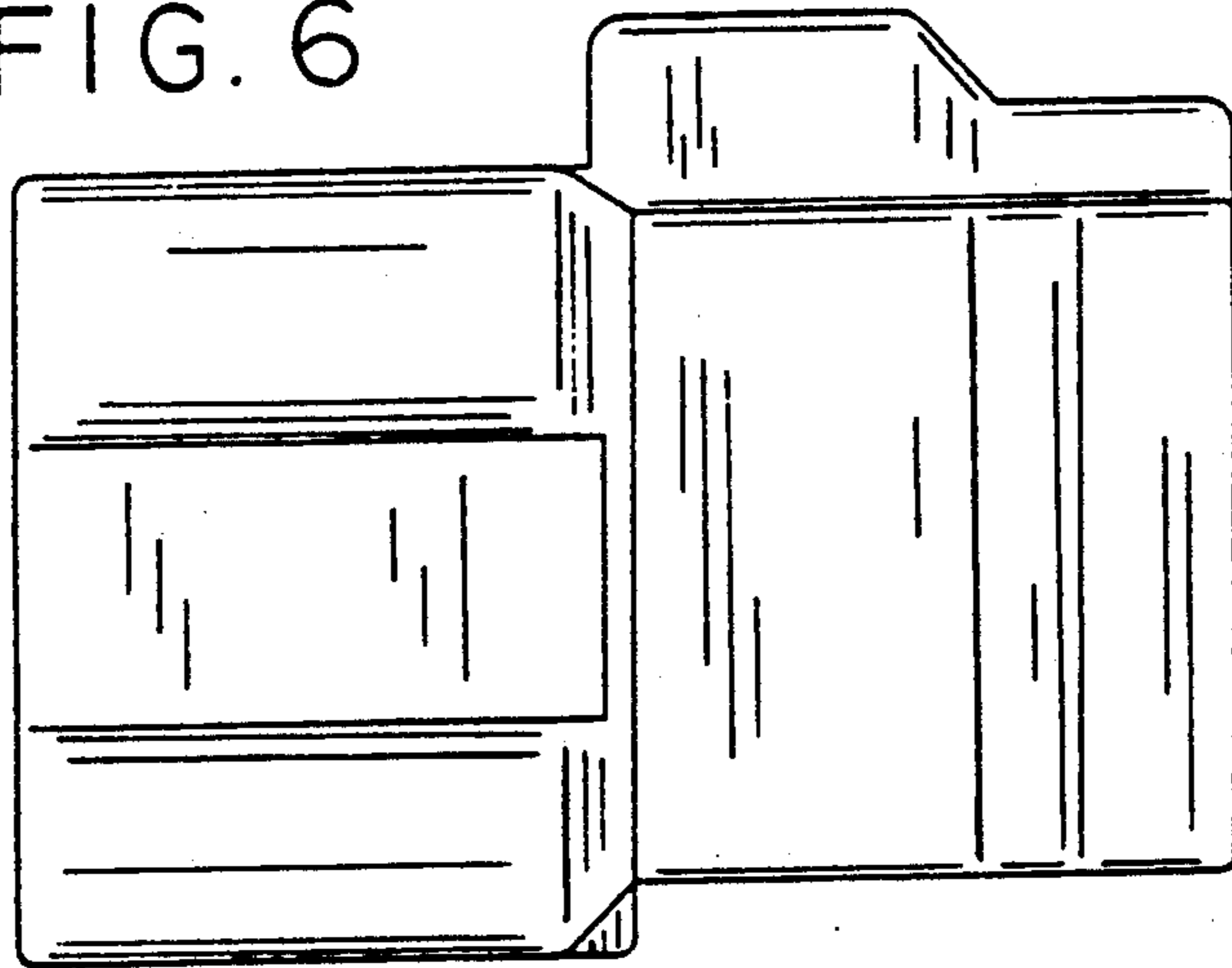
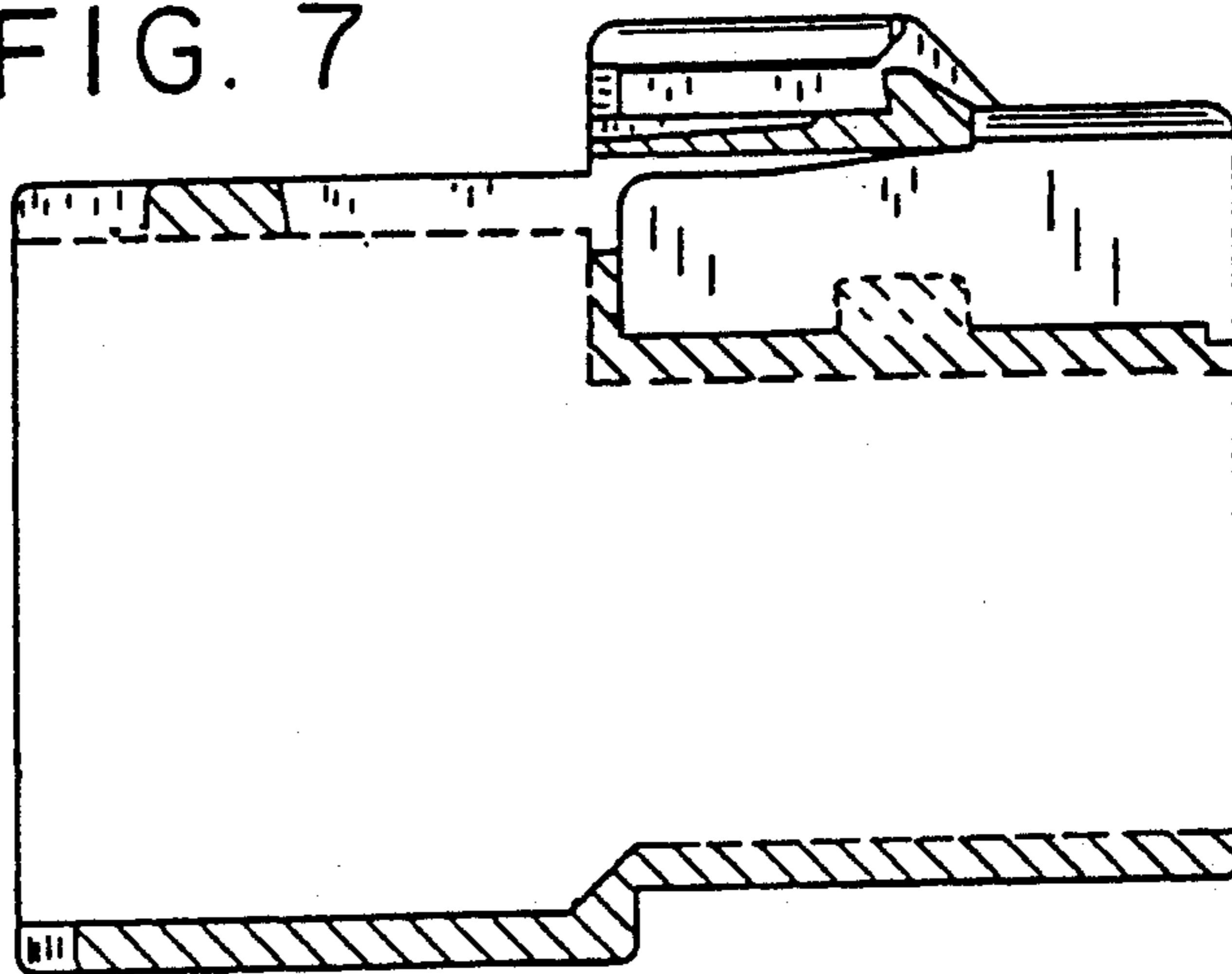


FIG. 7



UNITED STATES PATENT AND TRADEMARK OFFICE
CERTIFICATE OF CORRECTION

PATENT NO. : Des.324,847

DATED : March 24, 1992

INVENTOR(S) : Yasuhiro NAGASAKA, Yasuo HIRAYAMA, Shigekazu WAKATA,
Shinichi YAMADA, Nobuyuki ASAKAWA

It is certified that error appears in the above-identified patent and that said Letters Patent is hereby corrected as shown below:

Item [57], under "DESCRIPTION" after the last line, insert the following:

--The broken line showing, of the end apertures and of the projection, throughout the drawing figures is included for the purpose of illustrating environmental elements only and forms no part of the claimed design--.

Signed and Sealed this

Fourteenth Day of September, 1993



Attest:

BRUCE LEHMAN

Attesting Officer

Commissioner of Patents and Trademarks