



US00D324842S

# United States Patent [19]

[11] Patent Number: **Des. 324,842**

Covert et al.

[45] Date of Patent: **\*\* Mar. 24, 1992**

[54] **TIRE THREAD AND BUTTRESS**

4,635,694	1/1987	Hopokawa	152/209 A
4,732,194	3/1988	Sumoto et al.	152/209 R
4,785,863	11/1988	Tsuda et al.	152/209 A

[75] Inventors: **Darrell E. Covert**, Uniontown; **Paul B. Maxwell**, Akron; **Frederick W. Miller**, Akron; **Richard L. Galante**, Akron; **Michael A. Kolowski**, Mogadore; **William M. Hopkins**, Hudson; **Anthony J. Scarpitti**, Uniontown; **Andrew N. Hoang**, Akron, all of Ohio

**FOREIGN PATENT DOCUMENTS**

0338491	4/1989	European Pat. Off.	
2263455	7/1974	Fed. Rep. of Germany	
159108	7/1988	Japan	152/209 A

[73] Assignee: **The Goodyear Tire & Rubber Company**, Akron, Ohio

**OTHER PUBLICATIONS**

"Focus on Europe, The Stuart Marshall Report, Aladdin's Cave in Tokyo," *Modern Tire Dealer*, Feb. 1988, p. 46.

[\*\*] Term: **14 Years**

*Primary Examiner*—James M. Gandy  
*Attorney, Agent, or Firm*—T. P. Lewandowski; L. R. Drayer

[21] Appl. No.: **508,314**

[22] Filed: **Apr. 12, 1990**

**CLAIM**

The ornamental design for a tire tread and buttress, as shown and described.

**Related U.S. Application Data**

[63] Continuation-in-part of Ser. No. 436,868, Nov. 15, 1989.

[52] U.S. Cl. .... **D12/147**

[58] Field of Search ..... **D12/141-143, D12/145-151; 152/209 R, 209 A, 209 B, 209 D**

**DESCRIPTION**

FIG. 1 is a front elevational view of a tire tread and buttress showing our new design, it being understood that the pattern is repeated uniformly throughout the circumference of the tread and buttress;

FIG. 2 is a perspective view thereof in inverted condition;

FIG. 3 is an elevation view of one side thereof on a reduced scale;

FIG. 4 is another perspective view thereof in inverted condition; and,

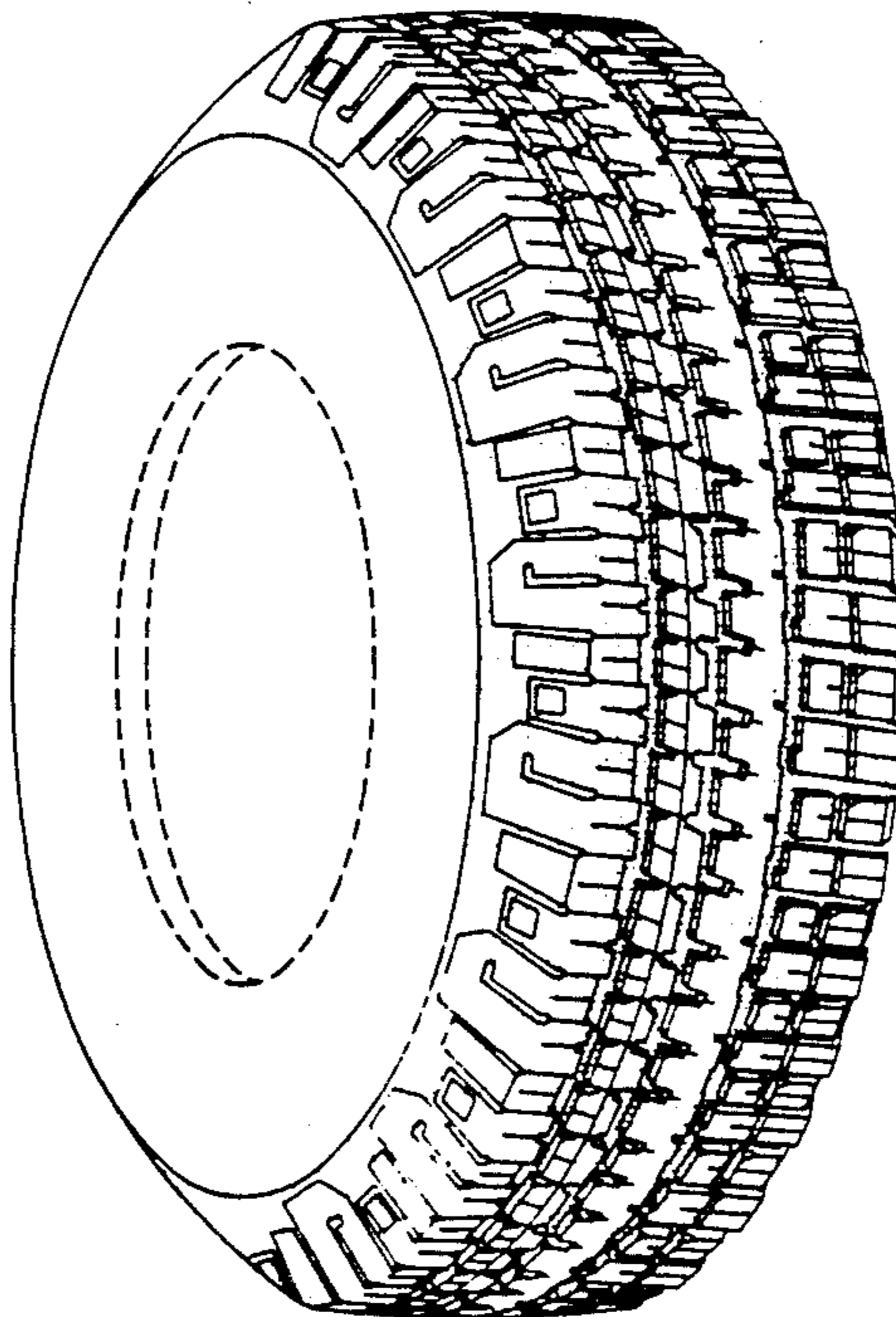
FIG. 5 is an elevation view of the opposite side thereof on a reduced scale.

The broken line showing of environmental structure in FIGS. 2, 3, 4 and 5 of the drawing is for illustrative purposes only and forms no part of the claimed design.

[56] **References Cited**

**U.S. PATENT DOCUMENTS**

D. 296,093	6/1988	Mezzanotte	D12/146
2,534,869	12/1950	Jones	152/209 A
3,155,135	11/1964	Klenk	152/209 R
3,162,229	11/1964	Ellenrieder et al.	152/209 A
3,286,756	11/1966	Ellenrieder et al.	152/209 A
3,405,753	10/1968	Verdier	152/209 R
3,705,613	12/1972	Verdier	152/209 R
3,861,436	1/1975	Poque	152/209 R
4,429,728	2/1984	Ipper et al.	152/209 A



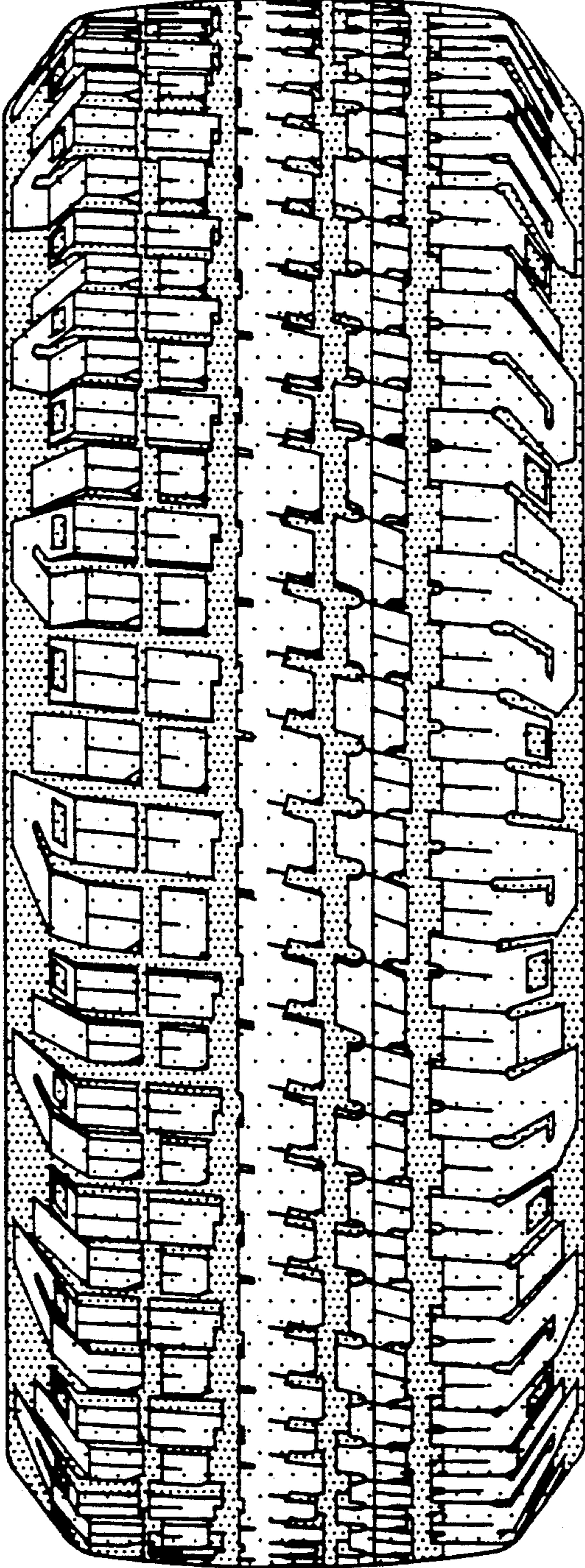


FIG-1



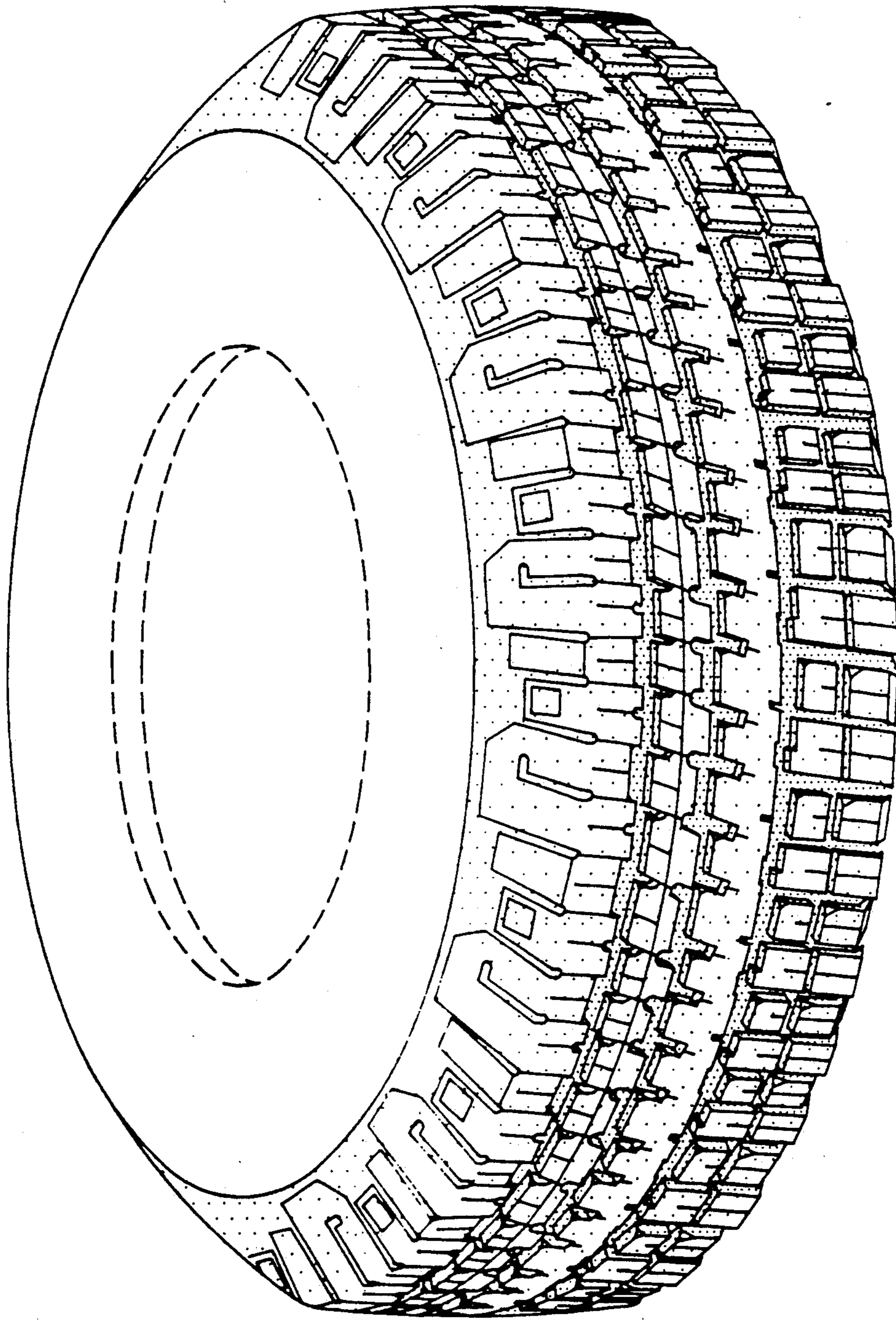


FIG-2

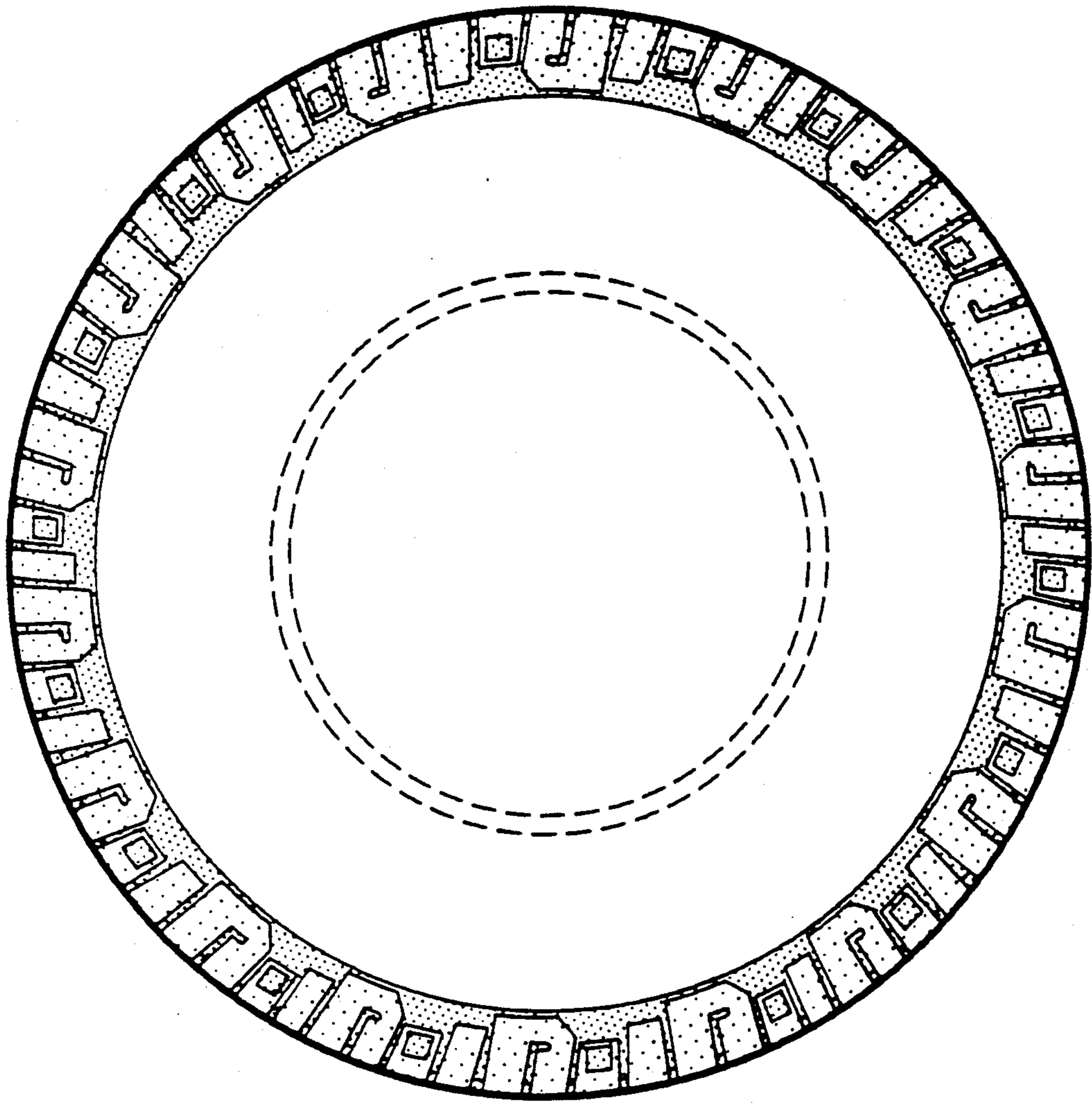


FIG-3

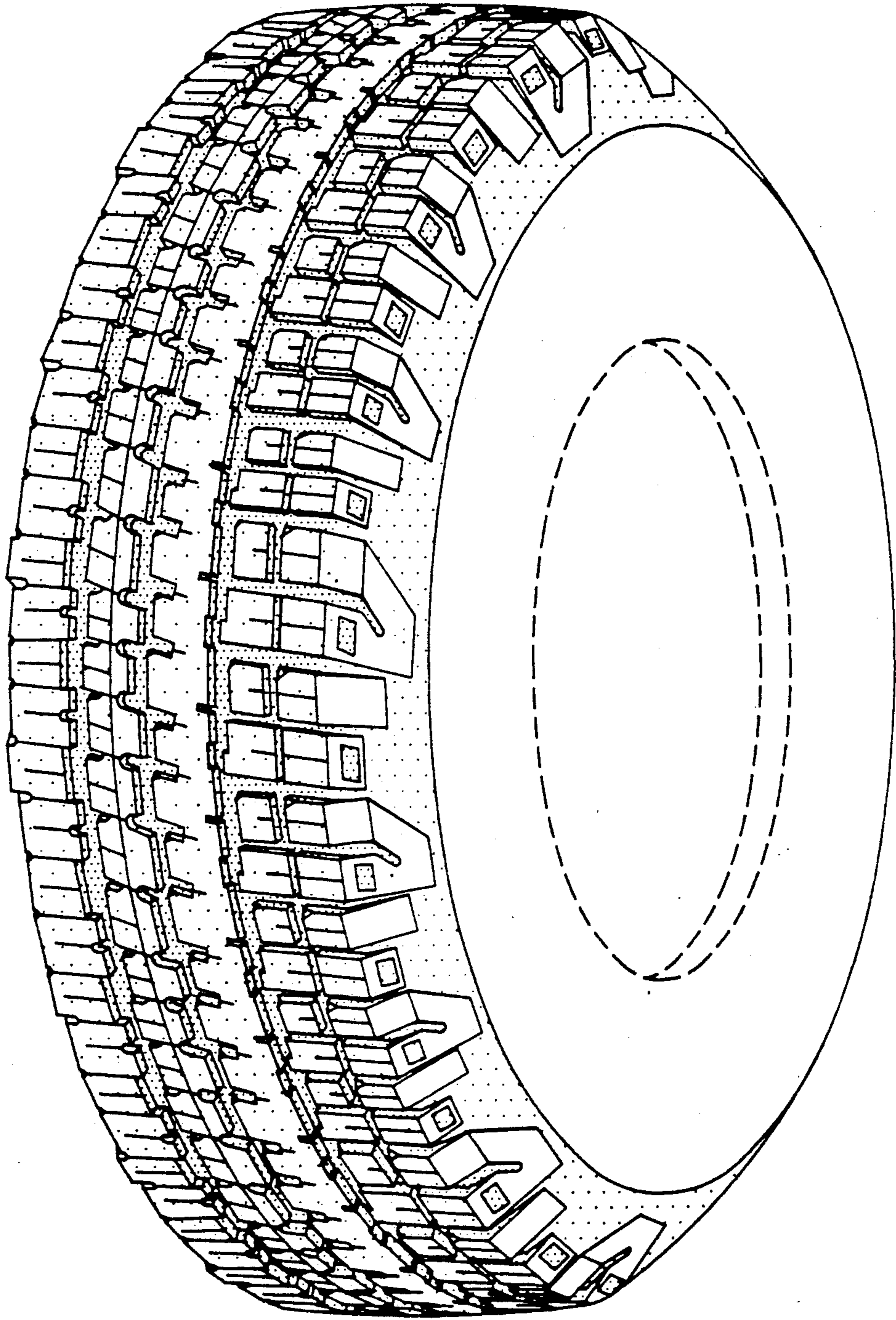


FIG-4



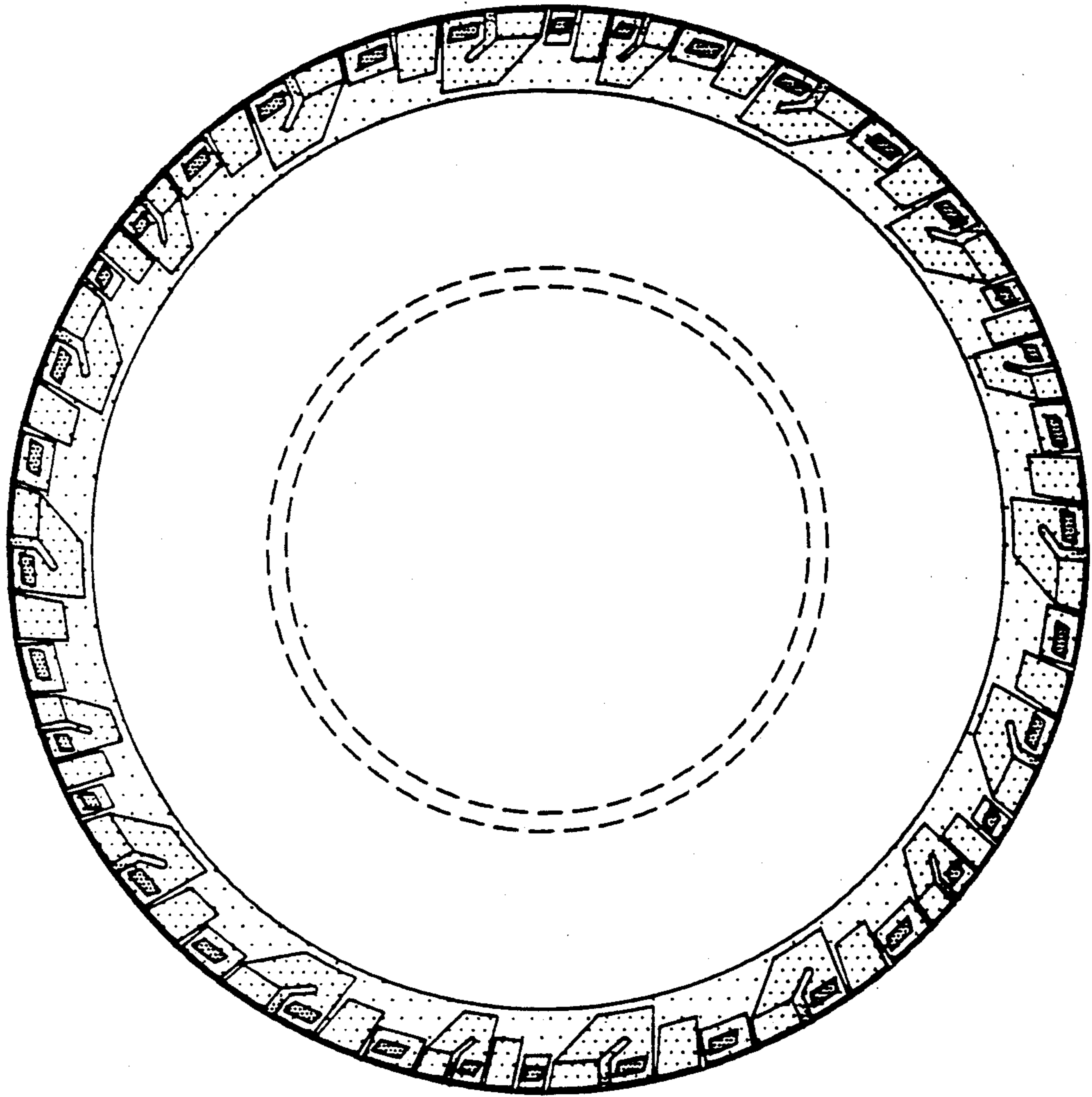


FIG-5