



US00D324838S

**United States Patent** [19]  
**Briscadieu**

[11] **Patent Number: Des. 324,838**  
[45] **Date of Patent: \*\* Mar. 24, 1992**

[54] **BICYCLE PEDAL**

[75] **Inventor: Denis Briscadieu, l'Isle Jourdain, France**

[73] **Assignee: Look, Nevers, France**

[\*\*] **Term: 14 Years**

[21] **Appl. No.: 460,612**

[22] **Filed: Jan. 3, 1990**

[30] **Foreign Application Priority Data**

Dec. 19, 1989 [FR] France ..... 894658

[52] **U.S. Cl. .... D12/125; 74/594.4**

[58] **Field of Search ..... D12/125; 74/594.4**

[56] **References Cited**

**U.S. PATENT DOCUMENTS**

4,445,397	5/1984	Shimano .....	74/594.4
4,686,867	8/1987	Bernard et al. ....	74/594.4
4,898,064	2/1990	Romano .....	74/594.4
4,928,549	5/1990	Mayano .....	74/594.4
4,942,778	7/1990	Bryne .....	D12/125
4,947,708	8/1990	Lacombe .....	74/594.4

**OTHER PUBLICATIONS**

American Bicyclist & Motorcyclist, Dec. 1988, p. 45, the Sampson lightweight bicycle pedals.

Bike Nashbar, Christmas 1988, p. 32, the Look PP76 carbon bike pedal.

American Bicyclist & Motorcyclist, Mar. 1986, p. 43, the Look bike pedal.

Form, Apr. 1986, p. 13, bike pedal.

*Primary Examiner*—James M. Gandy

*Assistant Examiner*—Melody Brown

*Attorney, Agent, or Firm*—Michael J. Striker

[57] **CLAIM**

The ornamental design for a bicycle pedal, as shown and described.

**DESCRIPTION**

FIG. 1 is a top perspective view of a bicycle pedal showing my new design; it being understood that the broken lines are for illustrative purposes only and form no part of the claimed design;

FIG. 2 is a bottom perspective view thereof;

FIG. 3 is a rear end elevational view thereof;

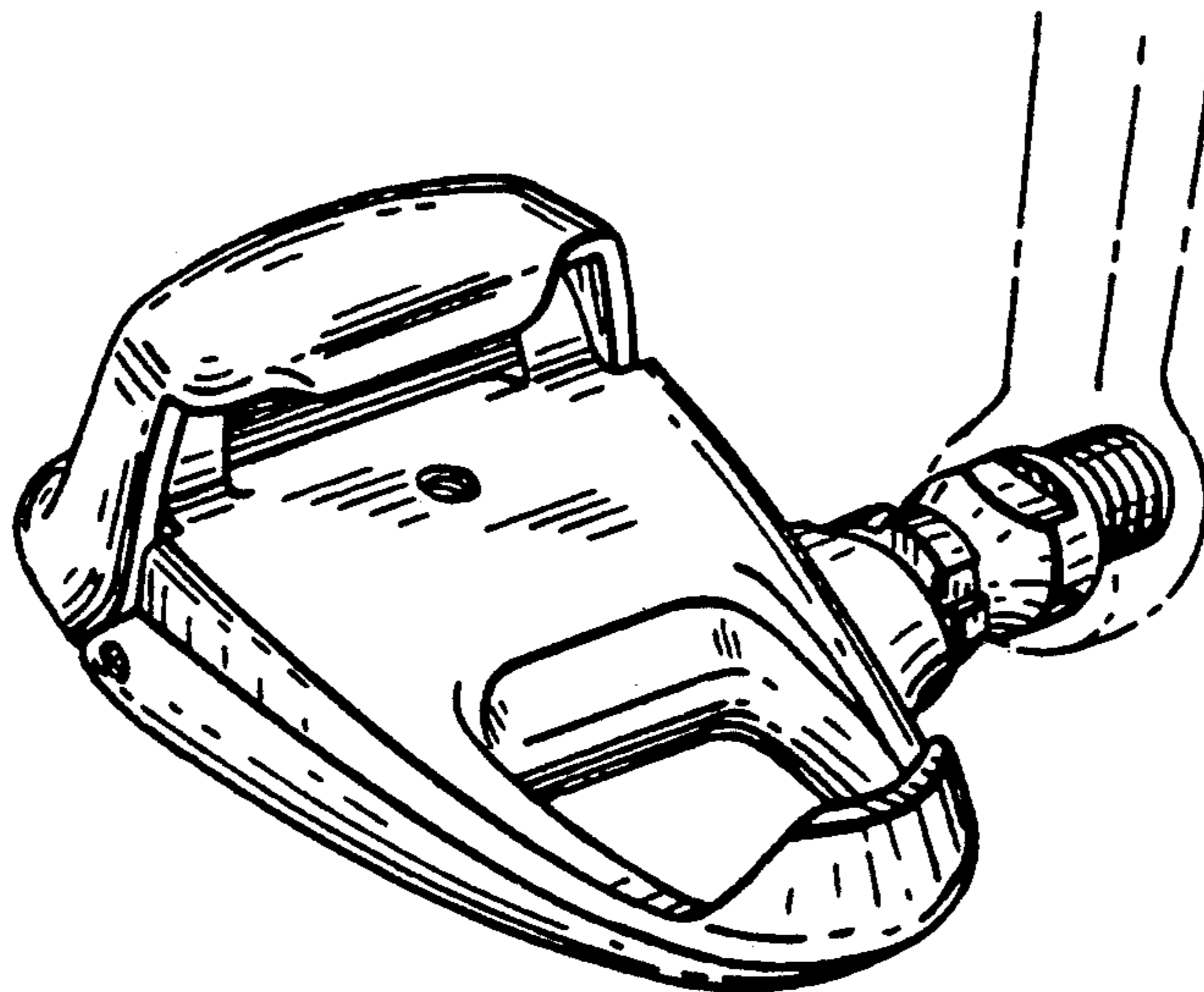
FIG. 4 is a front end elevational view thereof;

FIG. 5 is a side elevation view thereof;

FIG. 6 is an opposite side elevation view thereof;

FIG. 7 is a top plan view thereof; and,

FIG. 8 is a bottom plan view thereof.



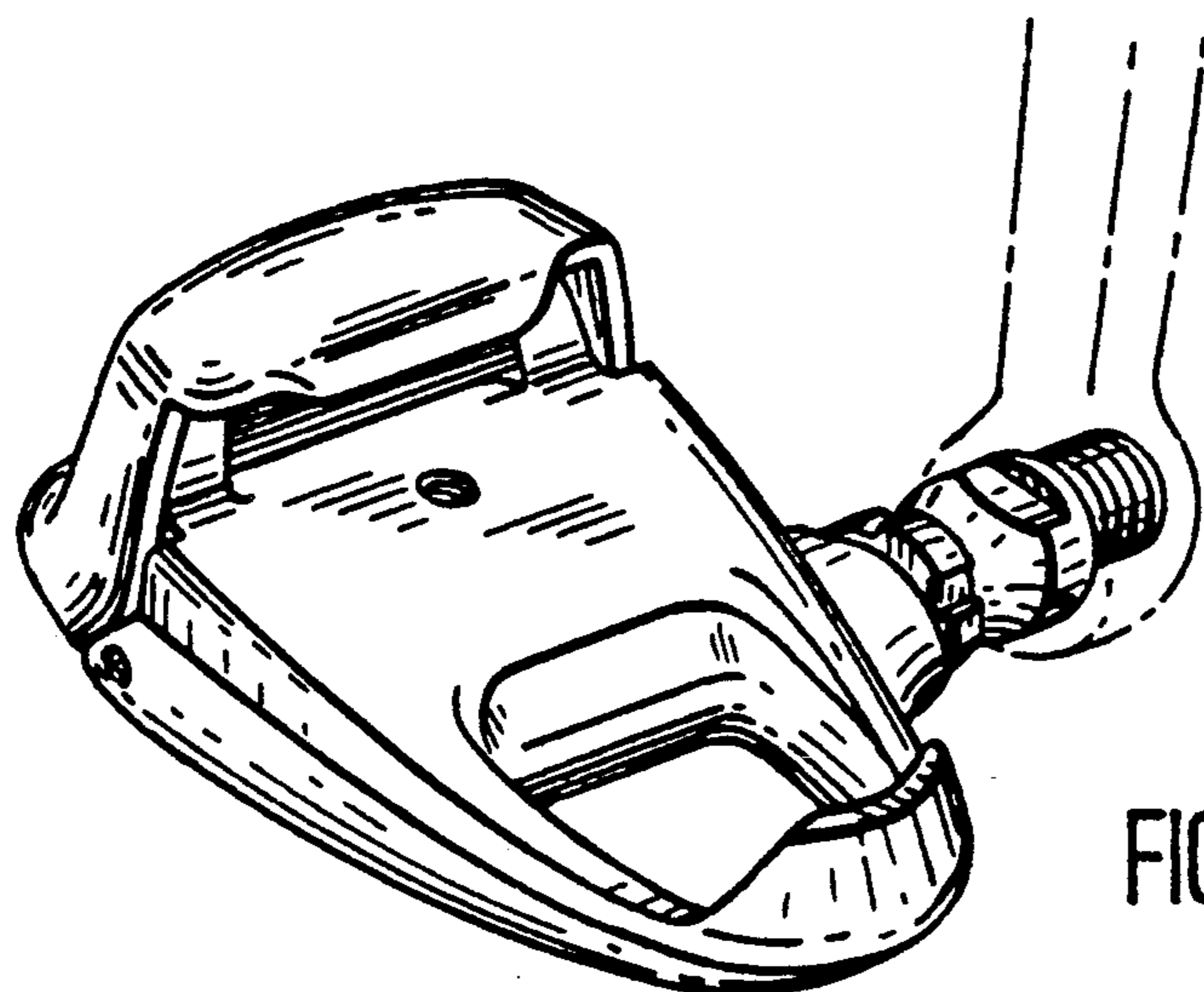


FIG. 1

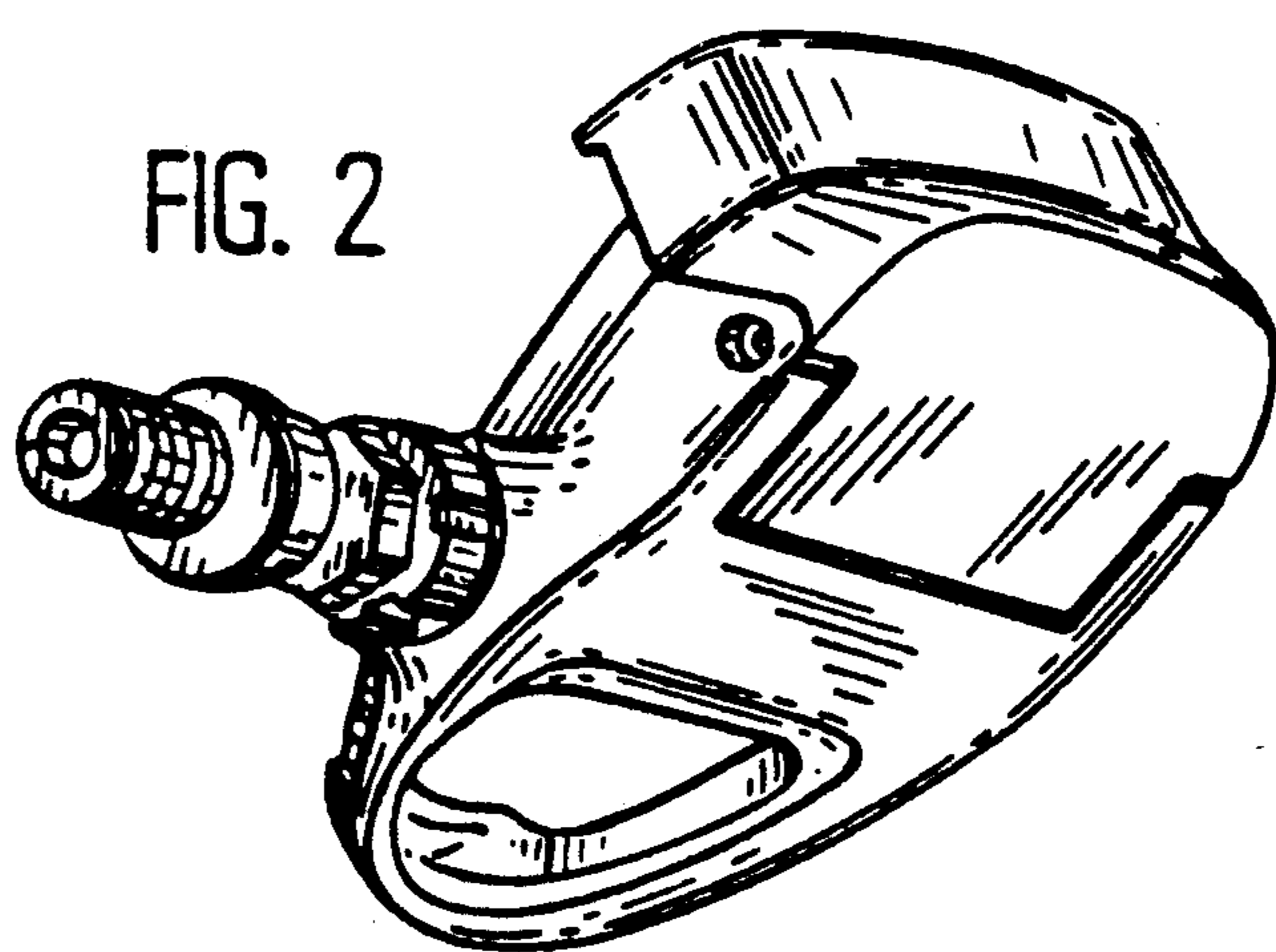


FIG. 2

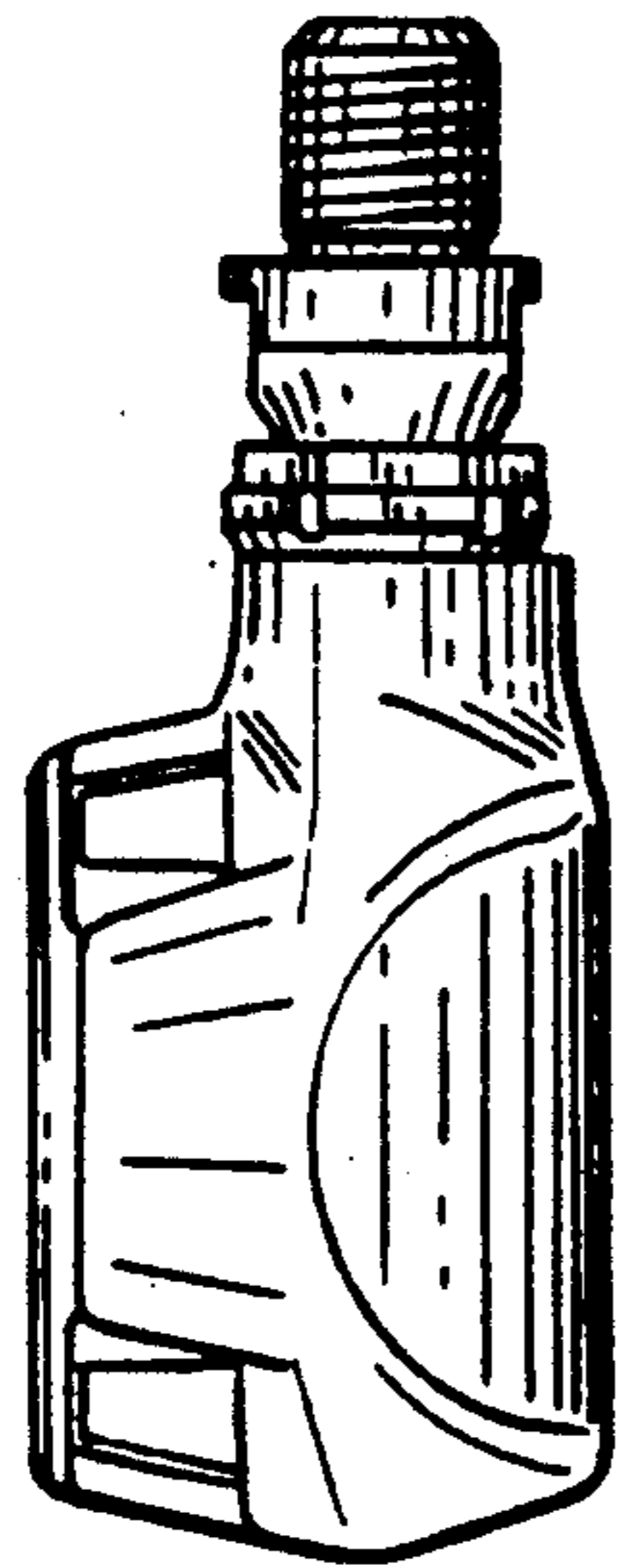


FIG. 3



FIG. 4

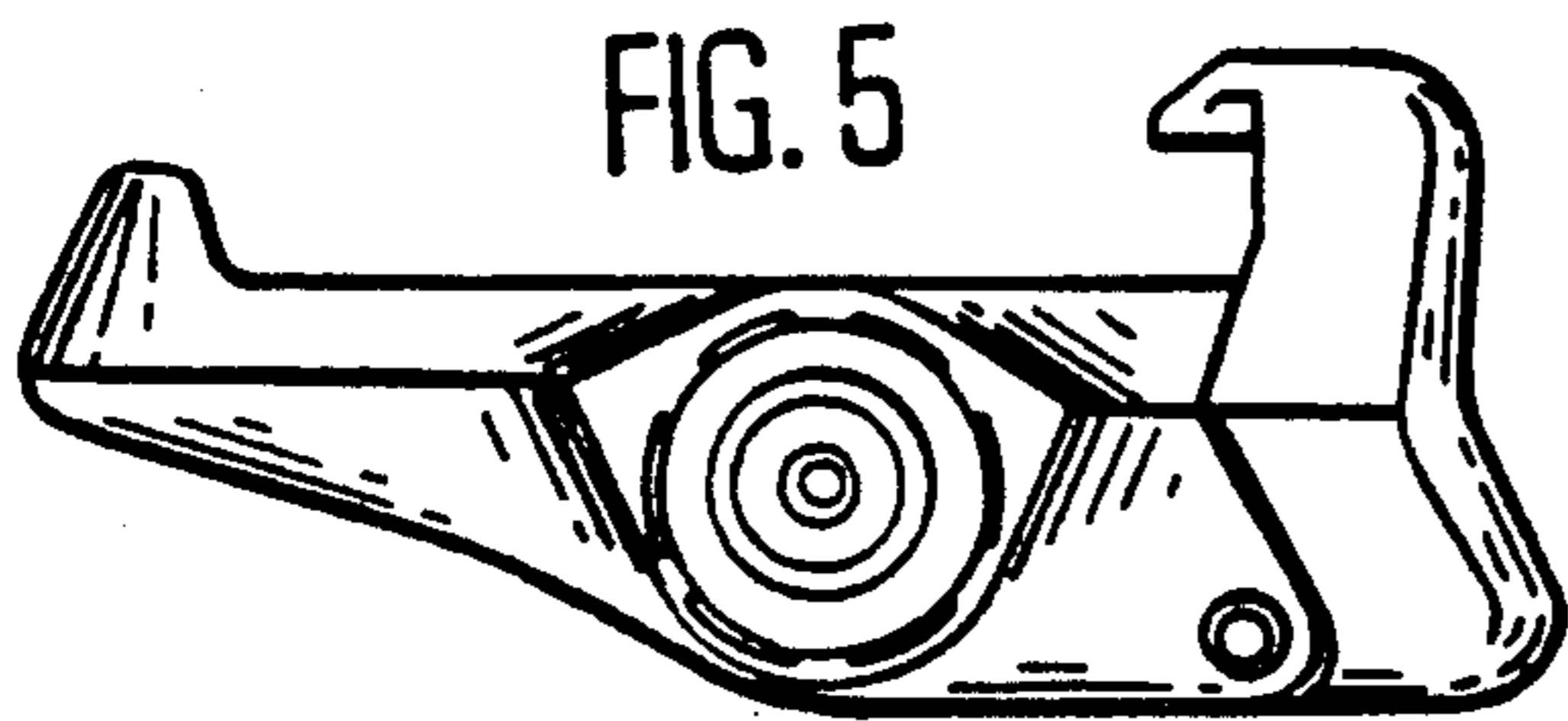


FIG. 5

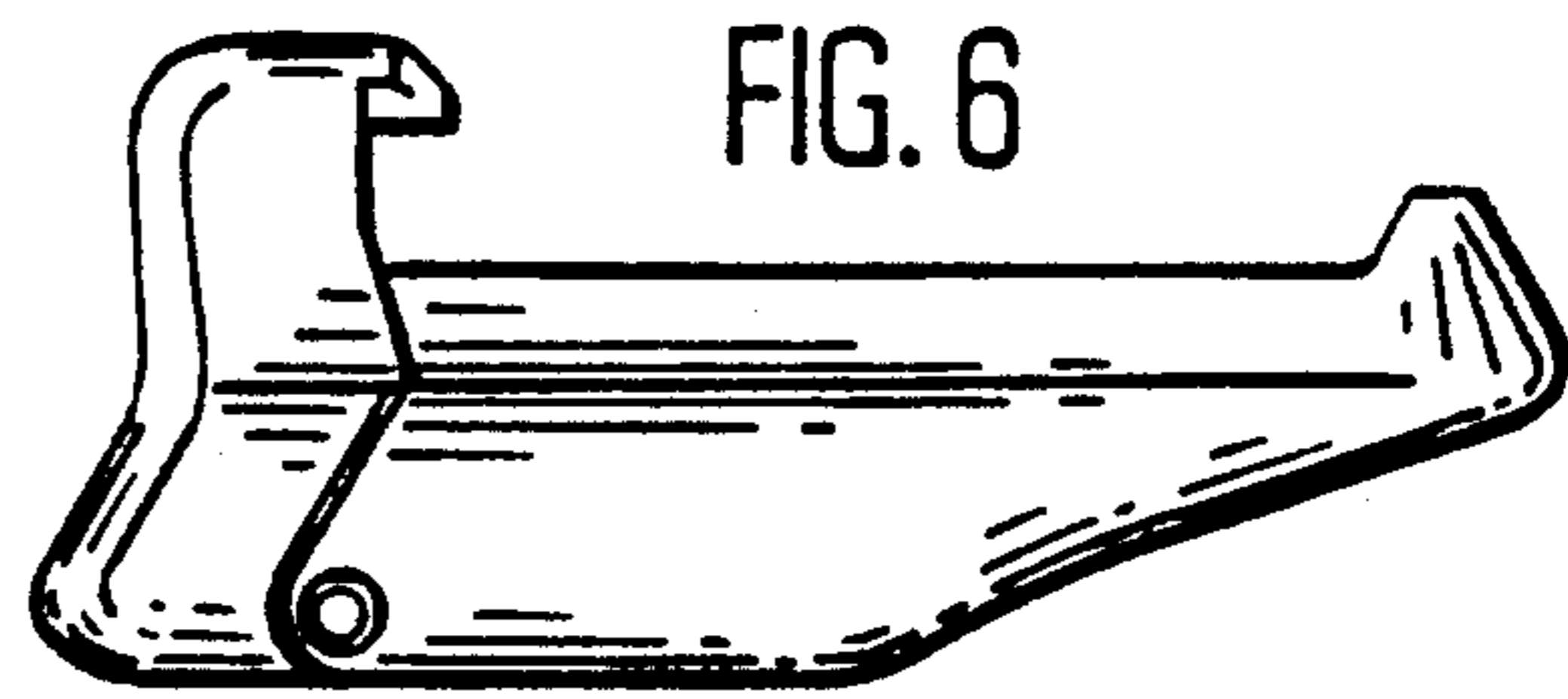


FIG. 6

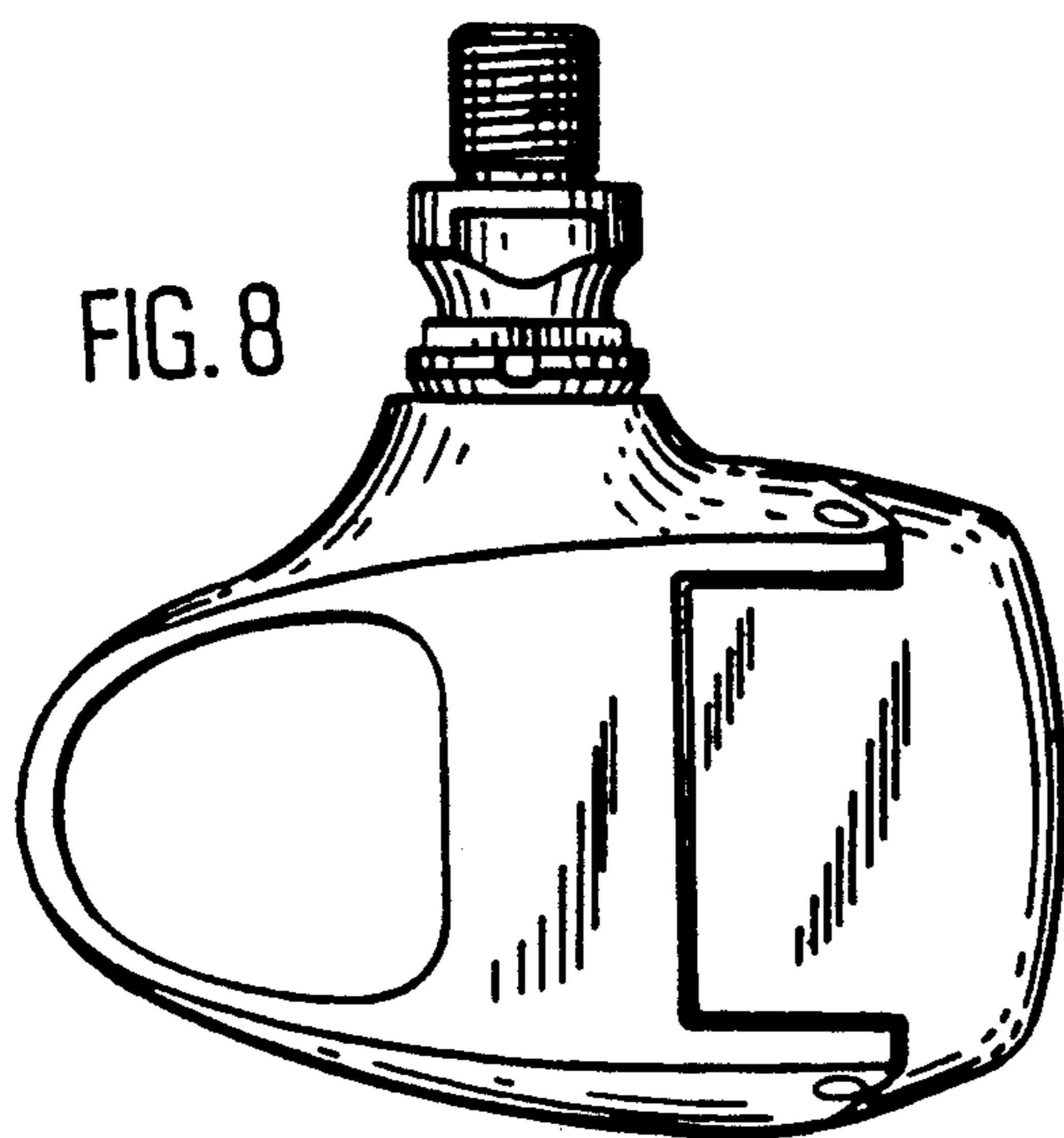


FIG. 8

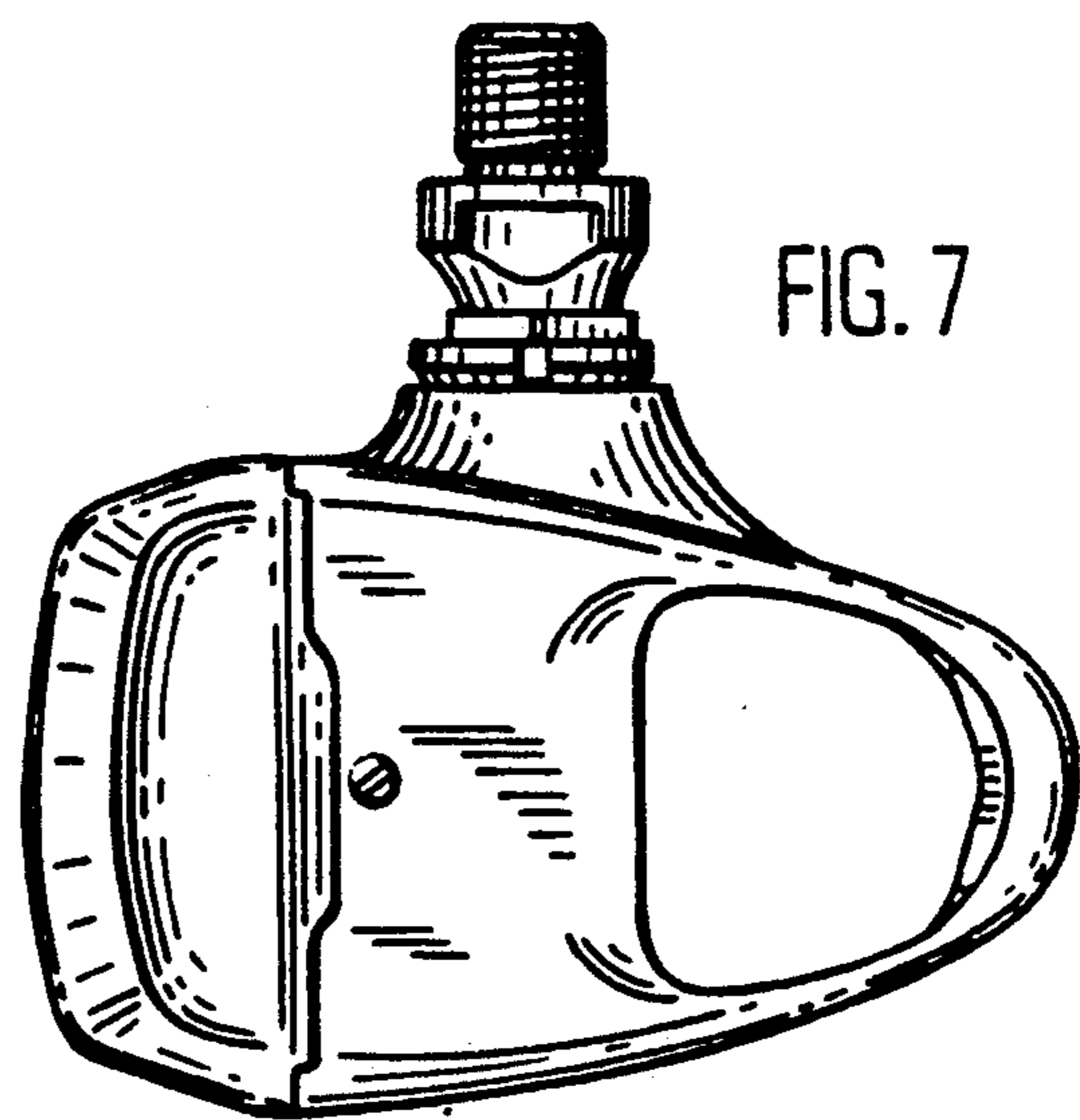


FIG. 7