



US00D324837S

# United States Patent [19]

[11] Patent Number: **Des. 324,837**

Allsop et al.

[45] Date of Patent: **\*\* Mar. 24, 1992**

[54] **BICYCLE SEAT SUPPORT**

[75] Inventors: **James D. Allsop**, Bellingham; **David E. Calapp**, Bellevue, both of Wash.

[73] Assignee: **Allsop, Inc.**, Bellingham, Washington

[\*\*] Term: **14 Years**

[21] Appl. No.: **440,731**

[22] Filed: **Nov. 22, 1989**

[52] U.S. Cl. .... **D12/119**

[58] Field of Search ..... **D12/119; 297/196, 198; 280/202, 220, 278, 281.1**

2,446,731	8/1948	Wheler .....	280/284
2,485,484	10/1949	Dean .....	280/277
2,497,121	2/1950	Fletcher .....	297/196
2,828,801	4/1958	Papst .....	248/69
2,976,056	3/1961	Henry .....	280/277
3,459,441	8/1969	Hornsby .....	280/276
4,162,797	7/1979	McBride .....	280/275
4,421,337	12/1983	Pratt .....	280/277

### FOREIGN PATENT DOCUMENTS

0453128	5/1913	France .....	297/198
0617119	11/1926	France .....	297/196
956293	1/1950	France .....	280/281.1

*Primary Examiner*—James M. Gandy  
*Assistant Examiner*—Melody Brown  
*Attorney, Agent, or Firm*—Christensen, O'Connor, Johnson & Kindness

[56] **References Cited**

#### U.S. PATENT DOCUMENTS

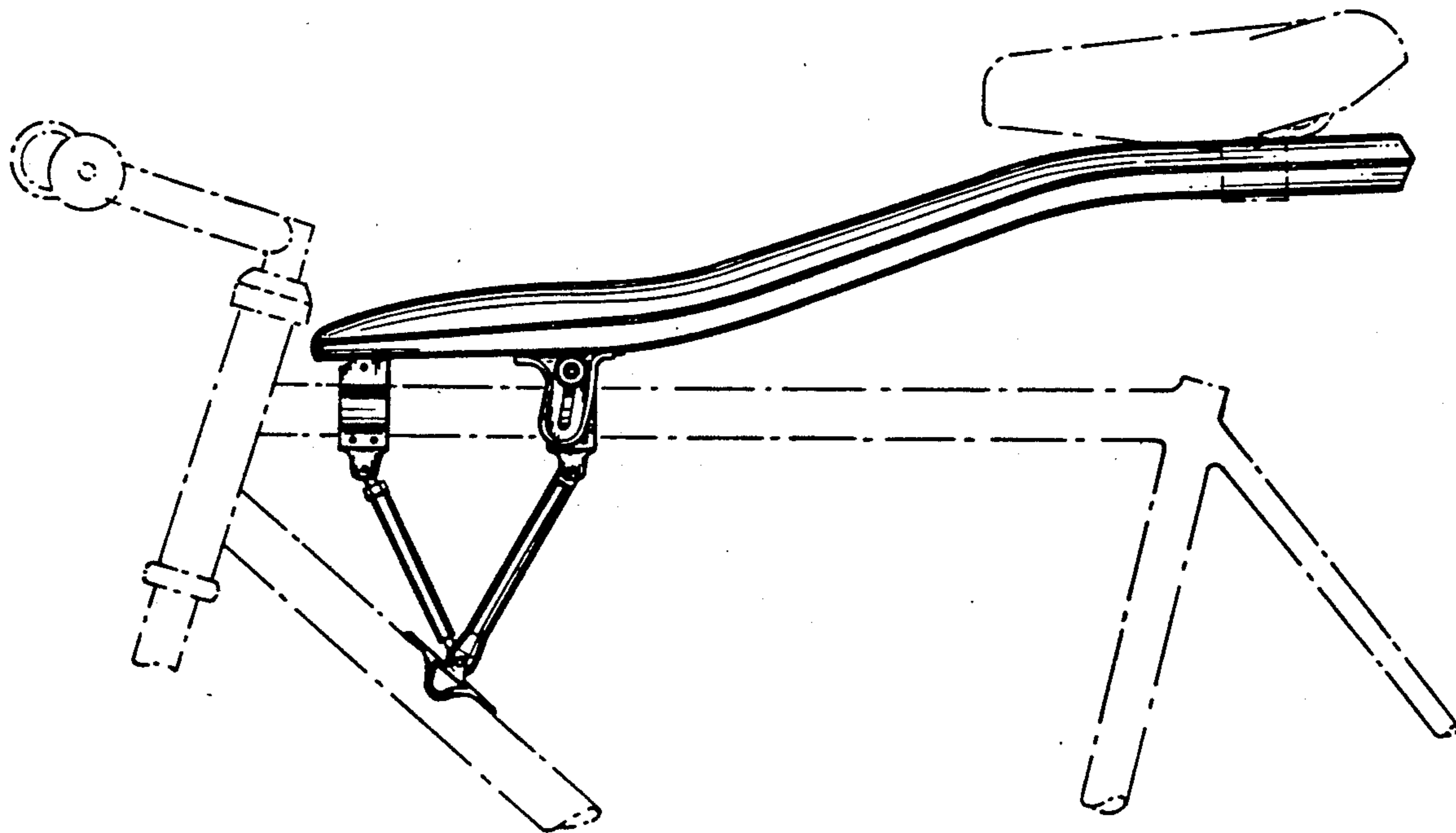
396,083	1/1889	Harris .....	297/196
423,471	3/1890	Easthope .....	280/276
457,080	8/1891	Garford .....	280/275
468,823	2/1892	O'Connor .....	280/277
505,753	9/1893	Cocken .....	280/270
518,338	4/1894	Whitaker .....	280/275
571,302	11/1896	Rome .....	280/202
953,697	4/1910	Kuebodeaux .....	280/277
1,193,977	8/1916	Beieth .....	248/69
1,205,828	11/1916	Whaley .....	297/196
1,395,974	11/1921	Redfield .....	297/196
1,416,942	5/1922	Brooks .....	297/198
1,469,136	9/1923	Ziska, Jr. ....	297/196
2,160,034	5/1939	Schwinn .....	280/278
2,244,709	6/1941	Kinzel .....	280/281
2,283,671	5/1942	Finlay et al. ....	280/284
2,344,607	3/1944	Gosswein et al. ....	297/196

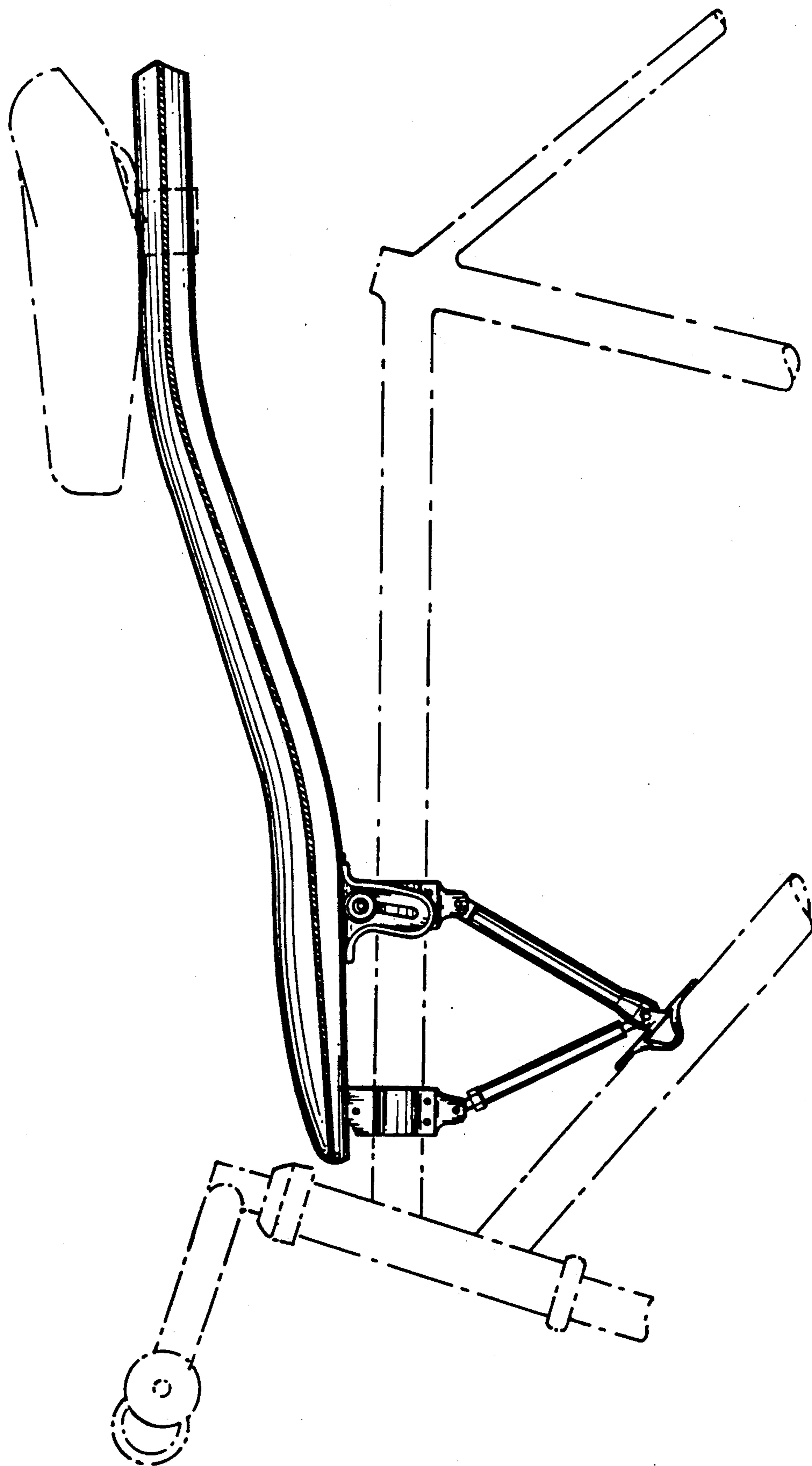
[57] **CLAIM**

The ornamental design for a bicycle seat support, as shown and described.

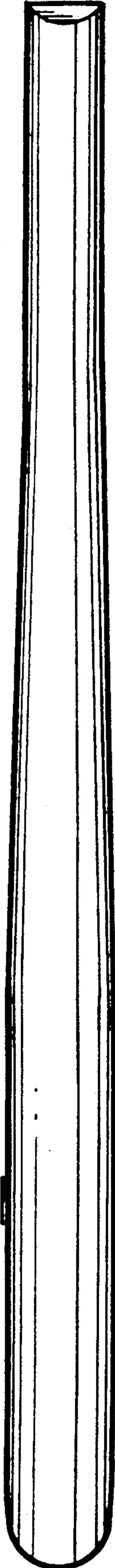
### DESCRIPTION

FIG. 1 is a right side elevational view of a bicycle seat support showing our new design, it being understood the broken lines are for illustration purposes only and form no part of the claimed design, and the left side view if a mirror image of that shown; FIG. 2 is an enlarged top plan view thereof; FIG. 3 is an enlarged bottom plan view thereof; FIG. 4 is an enlarged front elevation view thereof; and, FIG. 5 is an enlarged rear elevation view thereof.

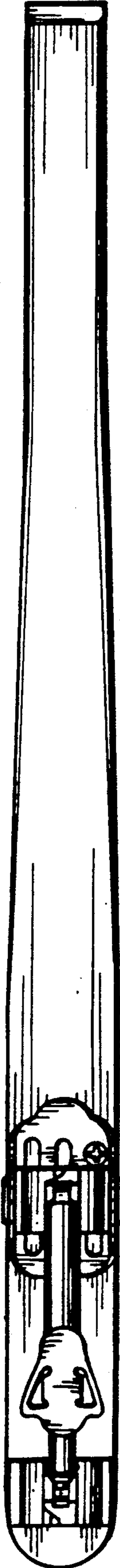




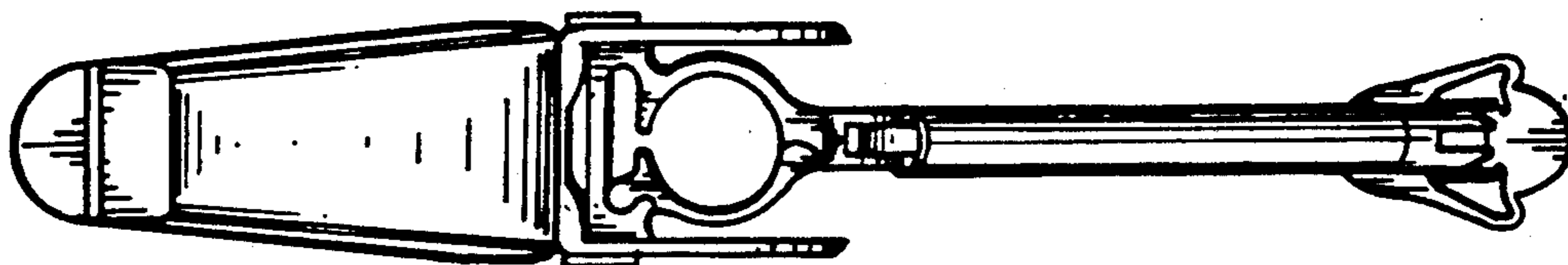
*Fig. 1.*



*Fig. 2.*



*Fig. 3.*



*Fig. 5.*

*Fig. 4.*

