



US00D324835S

United States Patent [19]

[11] Patent Number: **Des. 324,835**

Mizuno

[45] Date of Patent: **** Mar. 24, 1992**

[54] **PULL TAB FOR SLIDE FASTENER**

[75] Inventor: **Hiroshi Mizuno, Toyama, Japan**

[73] Assignee: **Yoshida Kogyo K.K., Tokyo, Japan**

[*] Notice: The portion of the term of this patent subsequent to Mar. 17, 2006 has been disclaimed.

[**] Term: **14 Years**

[21] Appl. No.: **410,539**

[22] Filed: **Sep. 21, 1989**

[30] **Foreign Application Priority Data**

Mar. 22, 1989 [JP] Japan 1-10323

[52] U.S. Cl. **D11/221; D11/200**

[58] Field of Search **D11/200, 201, 221, 212, D11/213, 40-47, 79-80, 85-86, 1-2, 24/381-385, 415-417, 427-431; D3/61, 62**

[56] **References Cited**

U.S. PATENT DOCUMENTS

1,919,946 7/1933 Johnson 24/430
2,580,845 1/1952 Sam D3/61

Primary Examiner—A. Hugo Word

Assistant Examiner—R. Seifert

Attorney, Agent, or Firm—Hill, Van Santen, Steadman & Simpson

[57] **CLAIM**

The ornamental design for a pull tab for slide fastener, as shown and described.

DESCRIPTION

FIG. 1 is a front elevational view of a pull tab for slide fastener showing my new design;

FIG. 2 is a top plan view;

FIG. 3 is a bottom plan view;

FIG. 4 is a right side elevational view, the left side being a mirror image;

FIG. 5 is a sectional view taken along the line 5—5 of FIG. 1;

FIG. 6 is a sectional view taken along the line 6—6 of FIG. 4;

FIG. 7 is a sectional view taken along the line 7—7 of FIG. 1; and,

FIG. 8 is a sectional view taken along the line 8—8 of FIG. 1.

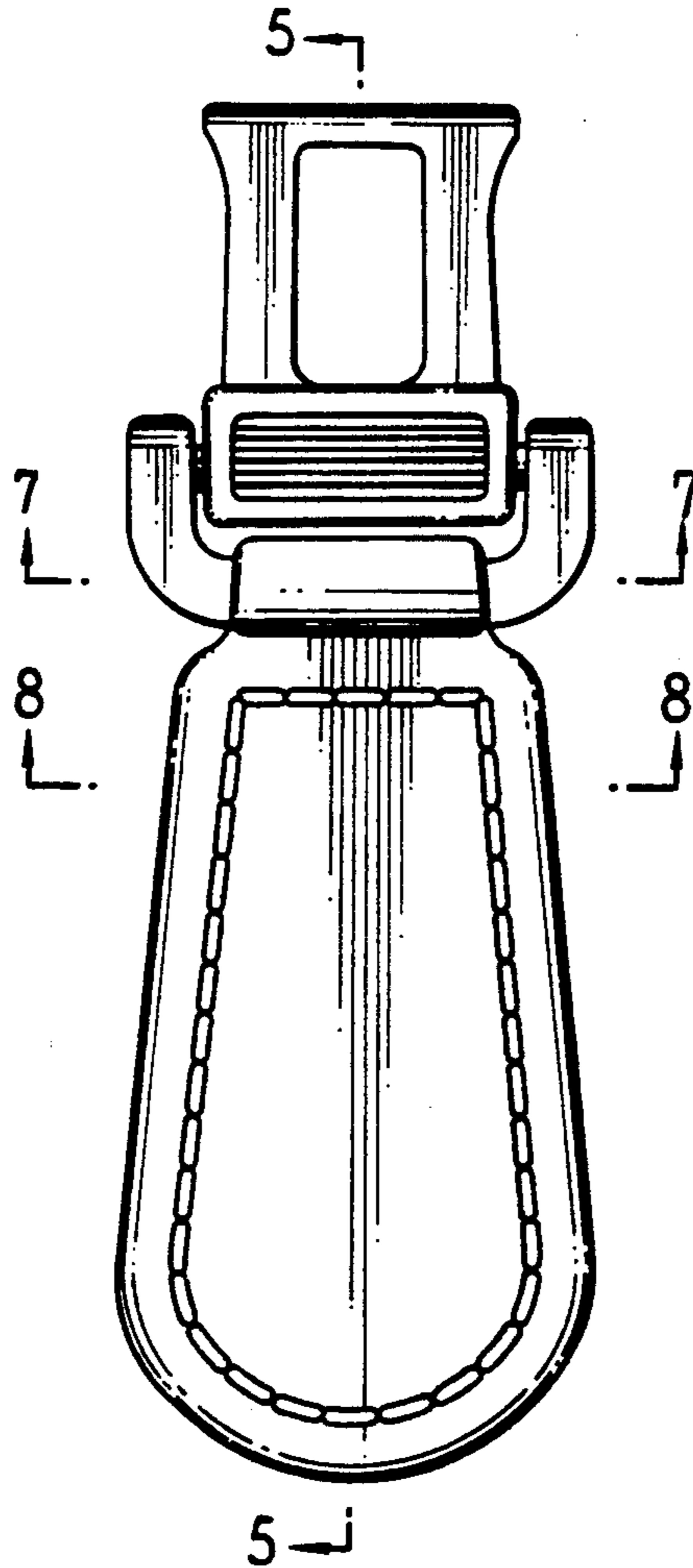


FIG. 1

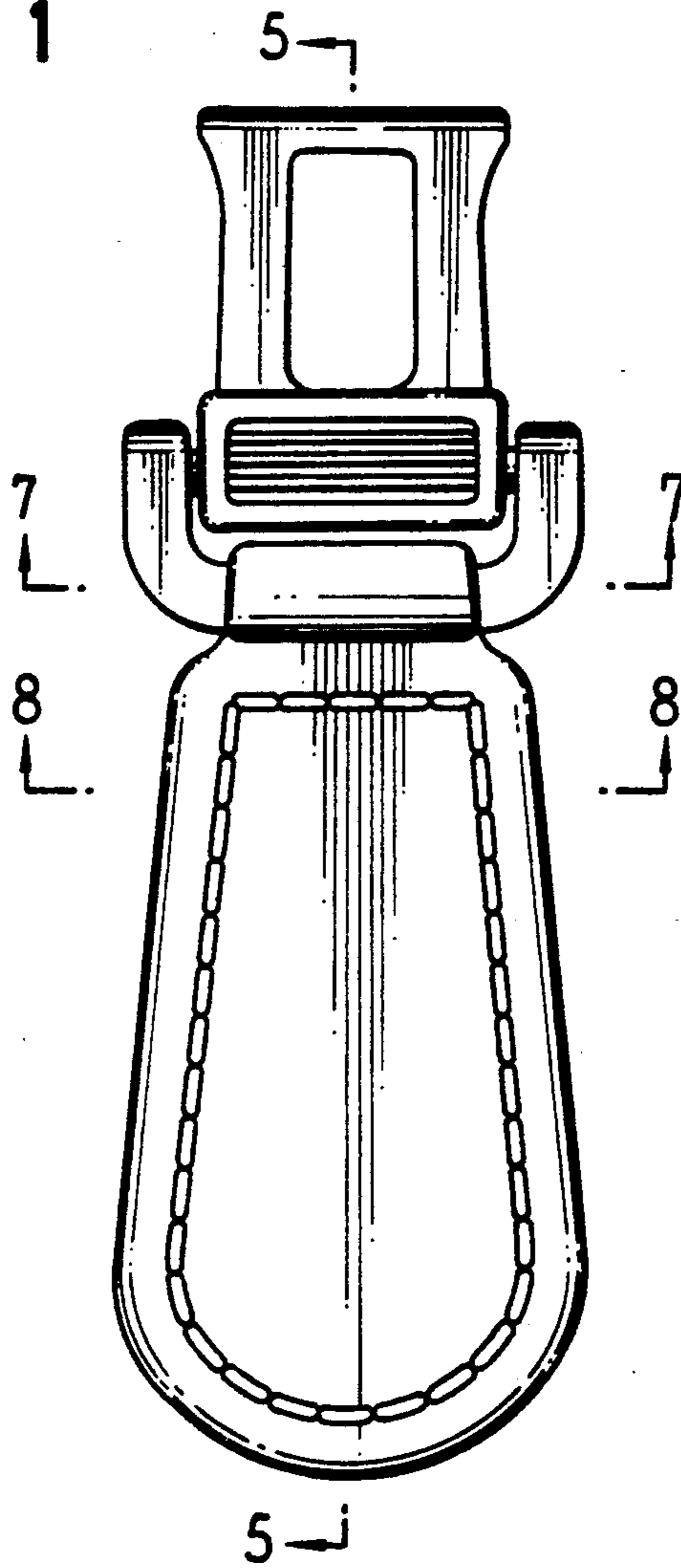


FIG. 2

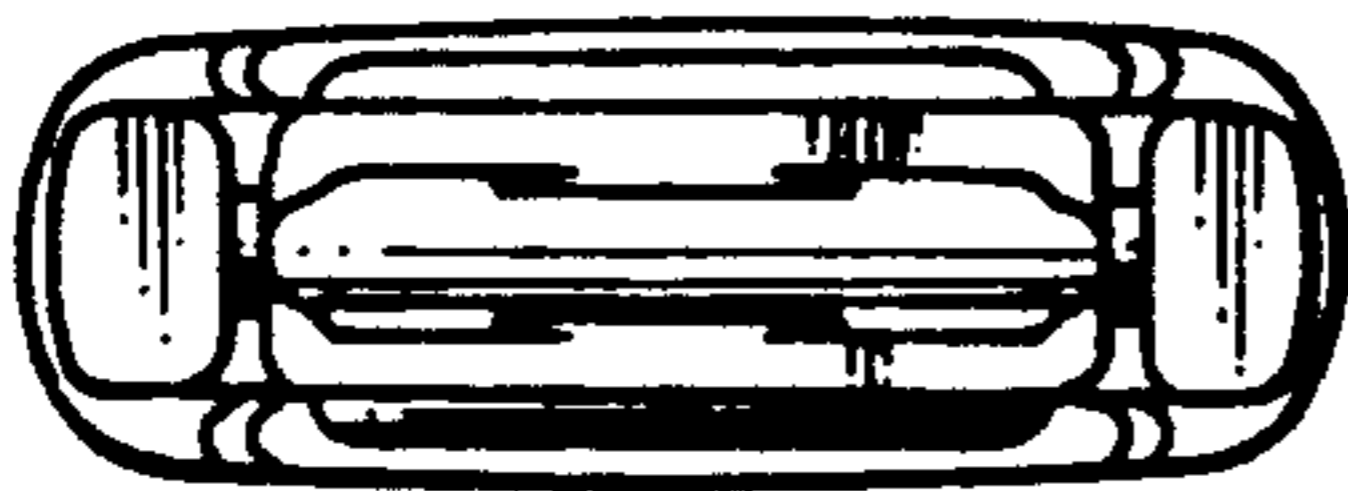


FIG. 3

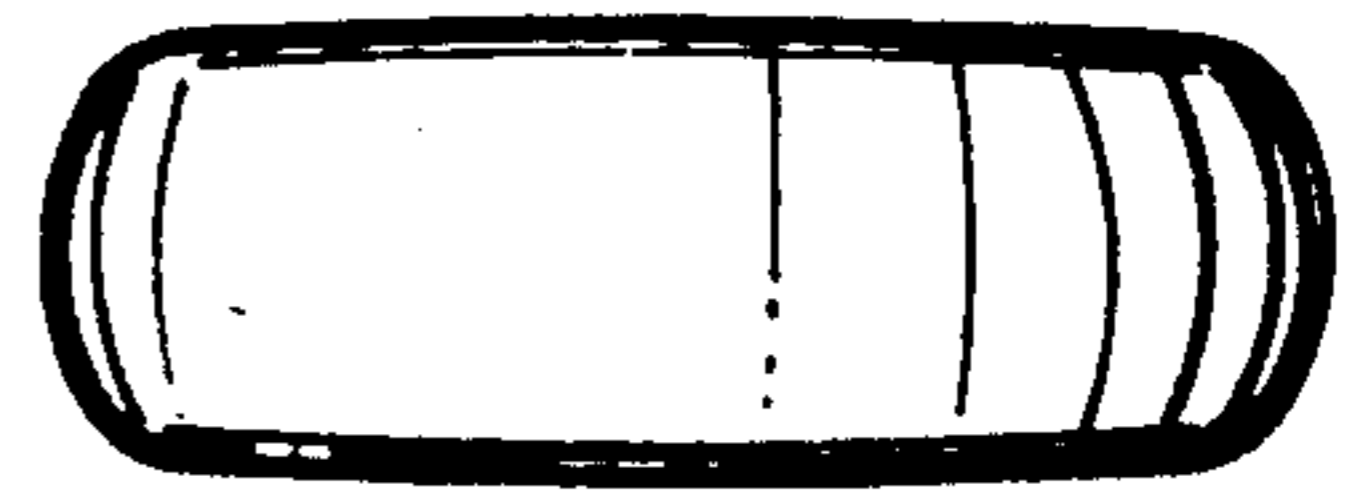


FIG. 4

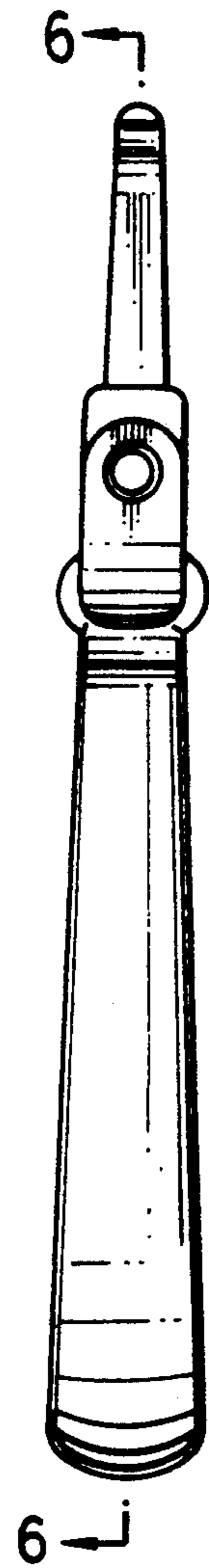


FIG. 5

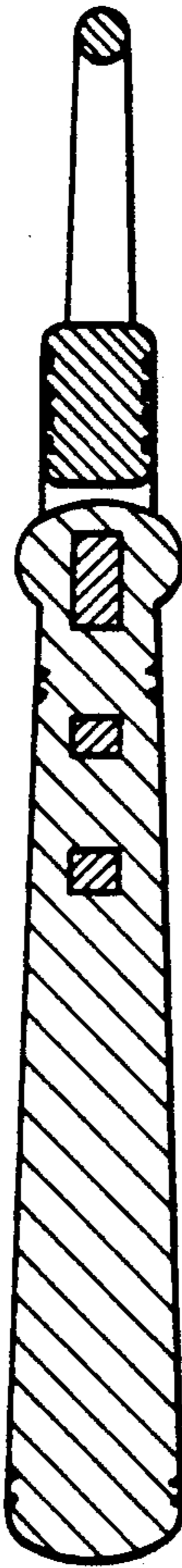


FIG. 6

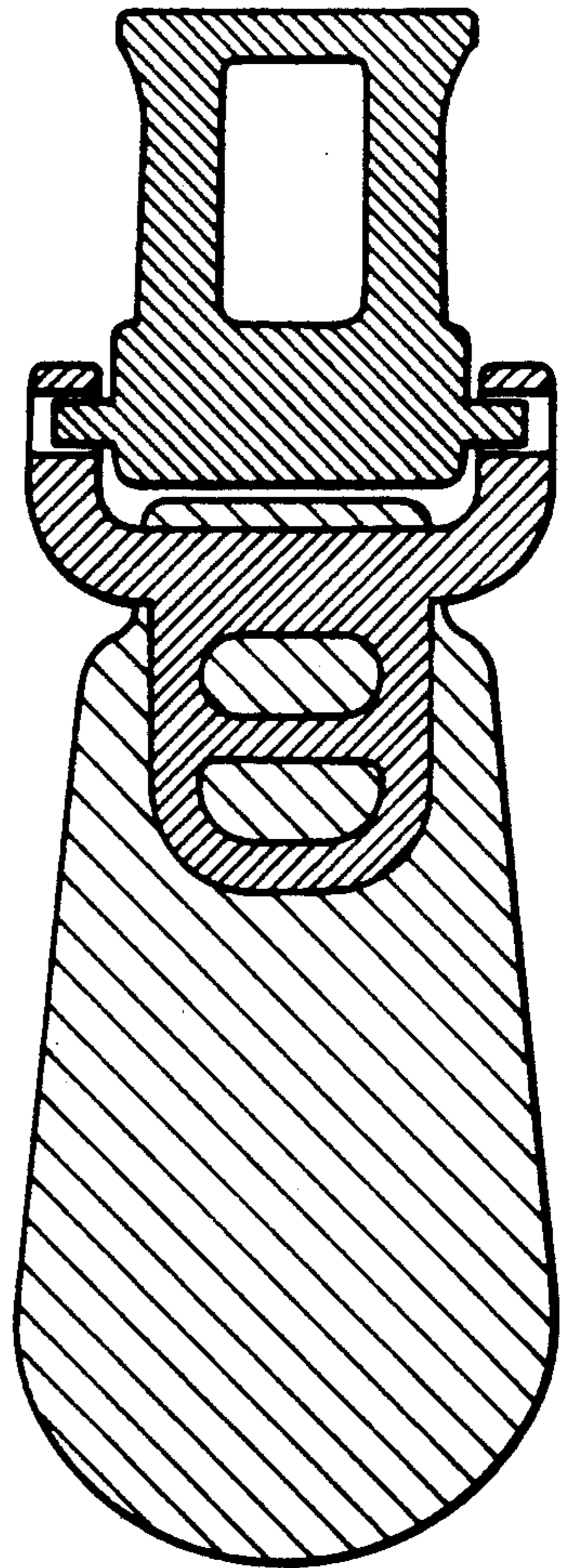


FIG. 7

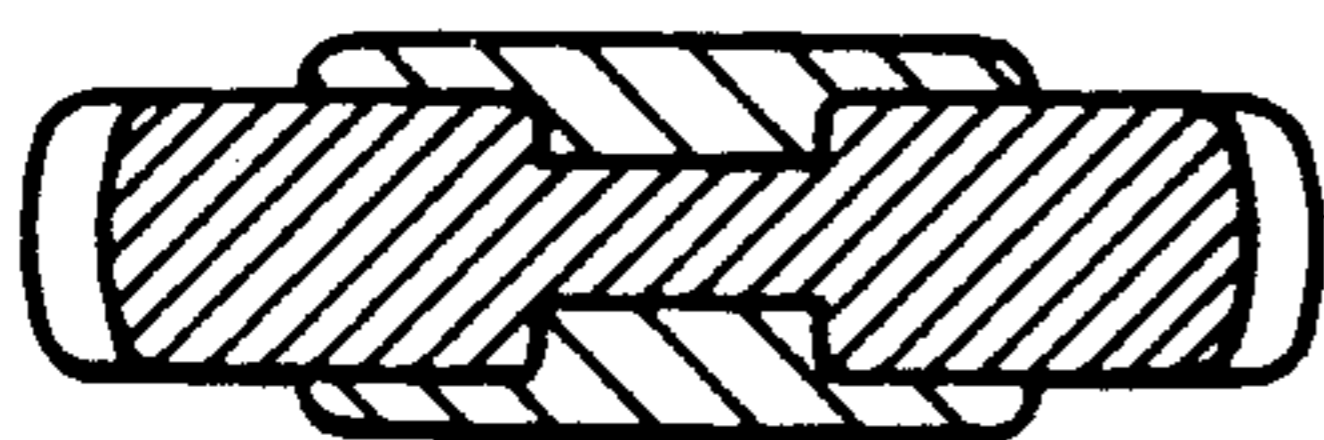


FIG. 8

