



US00D324832S

United States Patent [19]

[11] Patent Number: **Des. 324,832**

Boschetto et al.

[45] Date of Patent: **** Mar. 24, 1992**

[54] **CARD HOLDER OR SIMILAR ARTICLE**

3,797,149	3/1974	Morrison	D11/118
3,987,566	10/1976	March	D11/118
4,315,376	2/1982	Eichenauer	D11/118

[76] Inventors: **Andrew A. Boschetto**, 39 Wagon La., Cherry Hill, N.J. 08002; **Todd R. Boschetto**, 13 Stayman La., Sewell, N.J. 08080

Primary Examiner—Wallace R. Burke
Assistant Examiner—Marcus Jackson
Attorney, Agent, or Firm—Longacre & White

[**] Term: **14 Years**

[57] **CLAIM**

[21] Appl. No.: **493,235**

The ornamental design for a card holder or similar article, as shown and described.

[22] Filed: **Mar. 14, 1990**

[52] U.S. Cl. **D11/118; D20/40**

DESCRIPTION

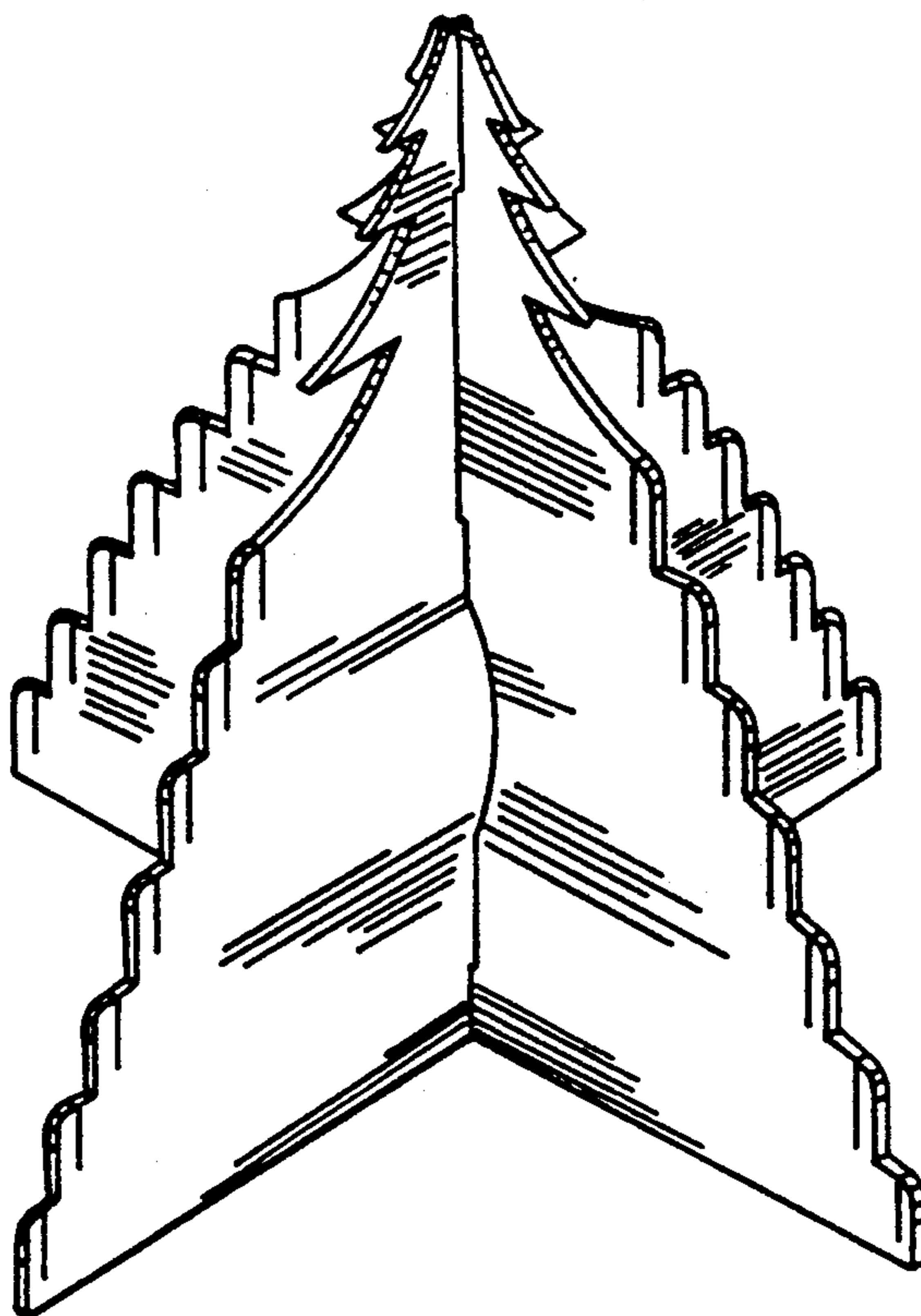
[58] Field of Search **D20/39, 10, 40; D11/118, 121, 122; 40/124.1, 1; 428/18, 15**

FIG. 1 is a reduced perspective view of a card holder or similar article showing my new design;
FIG. 2 is an enlarged front elevational view thereof, with the rear being a mirror image and the broken line shown for illustrative purposes only and forming no part of the claimed design;
FIG. 3 is a side elevational view thereof, with the opposite side being a mirror image;
FIG. 4 is a reduced top plan view thereof; and,
FIG. 5 is a reduce bottom plan view thereof.

[56] **References Cited**

U.S. PATENT DOCUMENTS

D. 313,772	1/1991	Beauregard	D11/118
2,865,122	12/1958	Clawson	D11/118
2,911,748	11/1959	Rodgers	D11/118
2,913,843	11/1959	Wittick	D11/118
2,916,843	12/1959	Meyer	D11/118



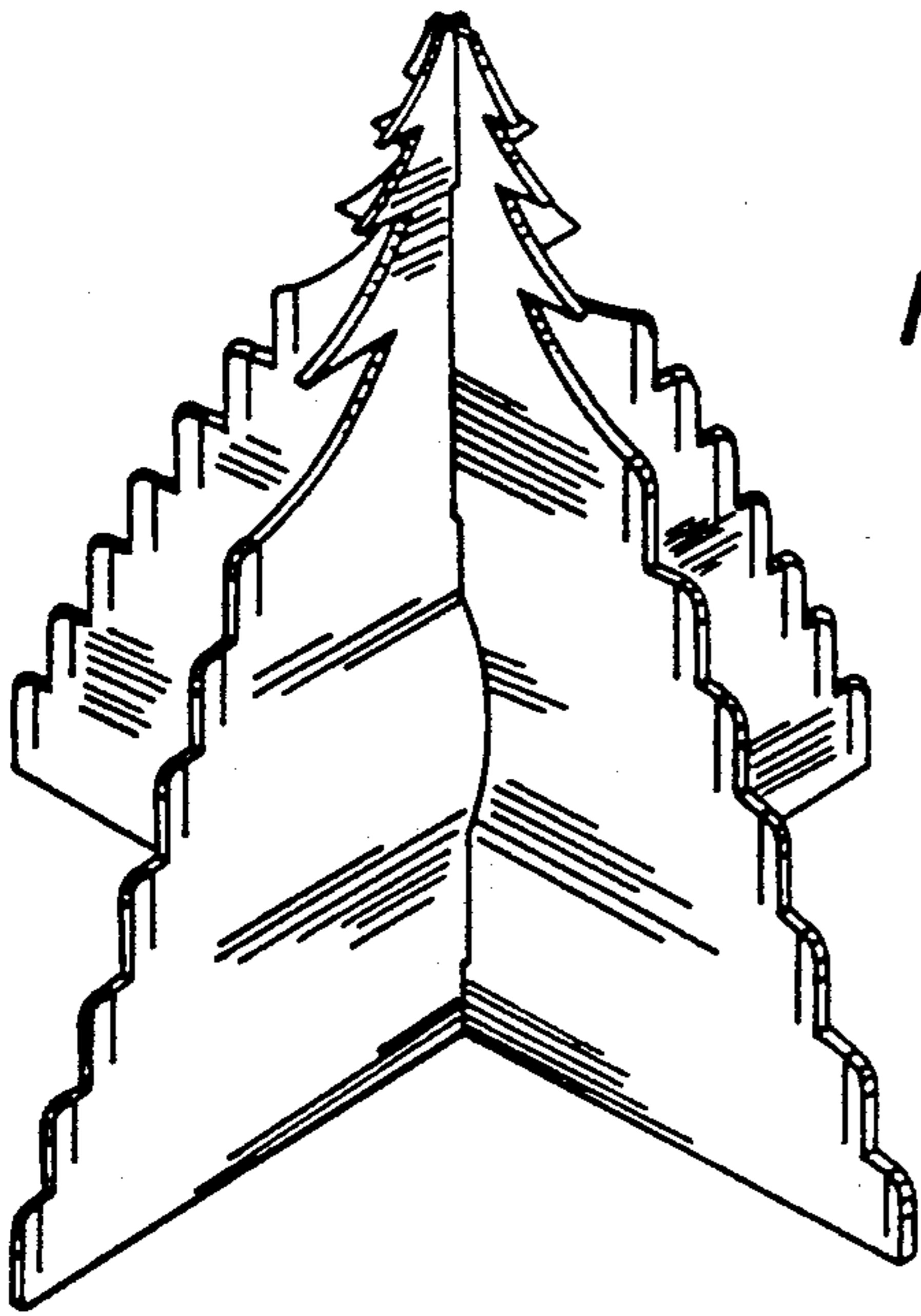


FIG. 1

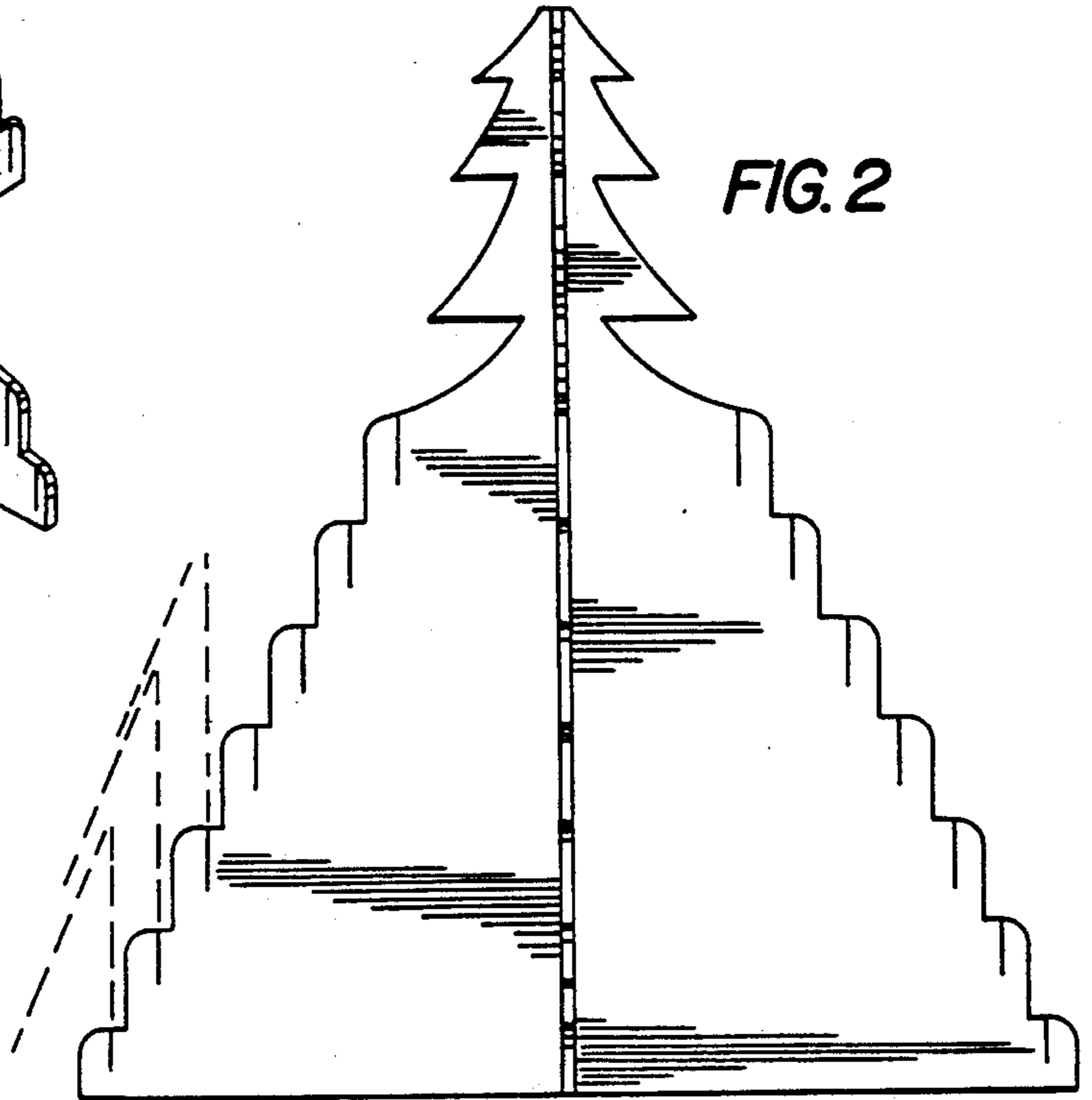


FIG. 2

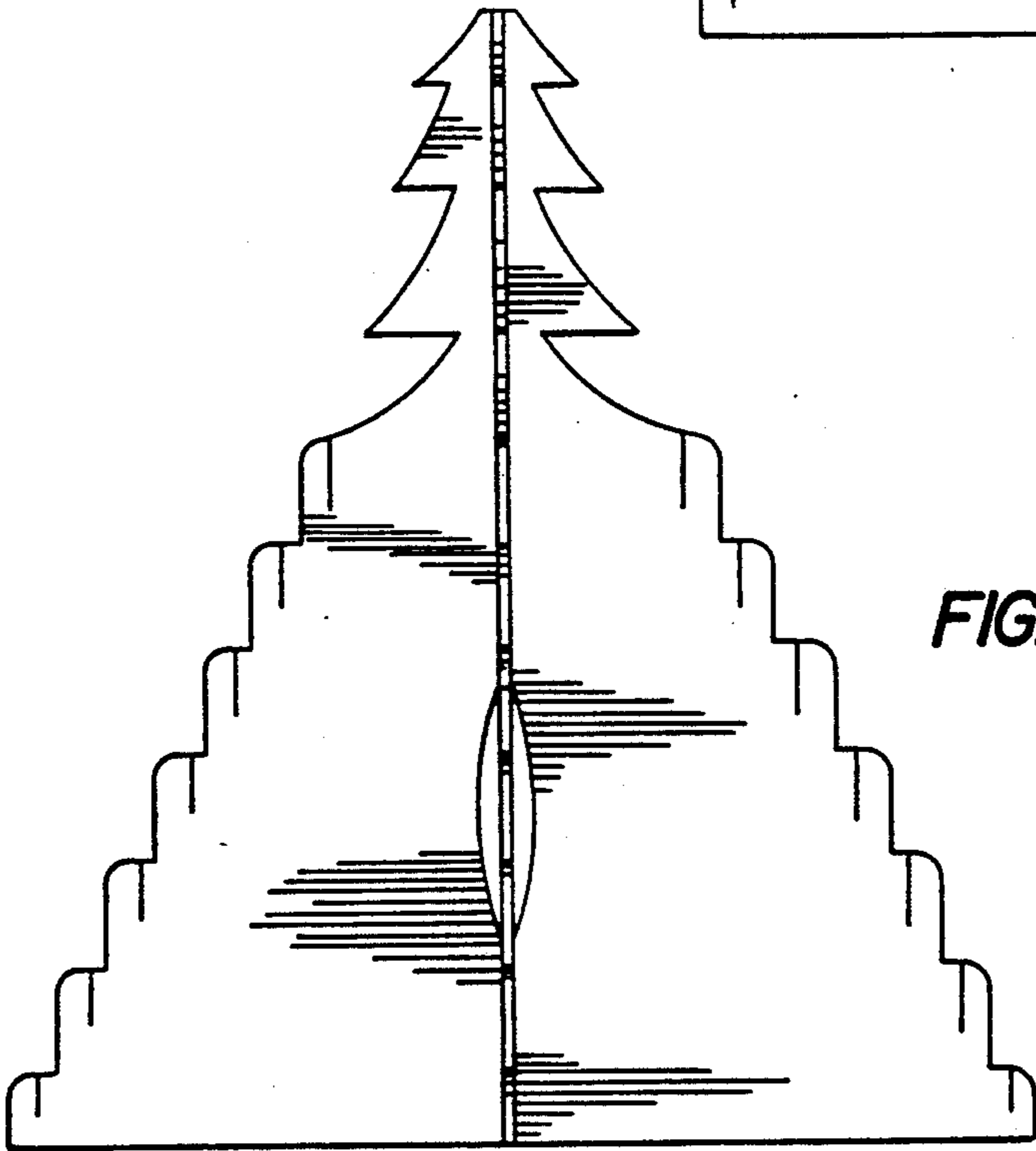


FIG. 3

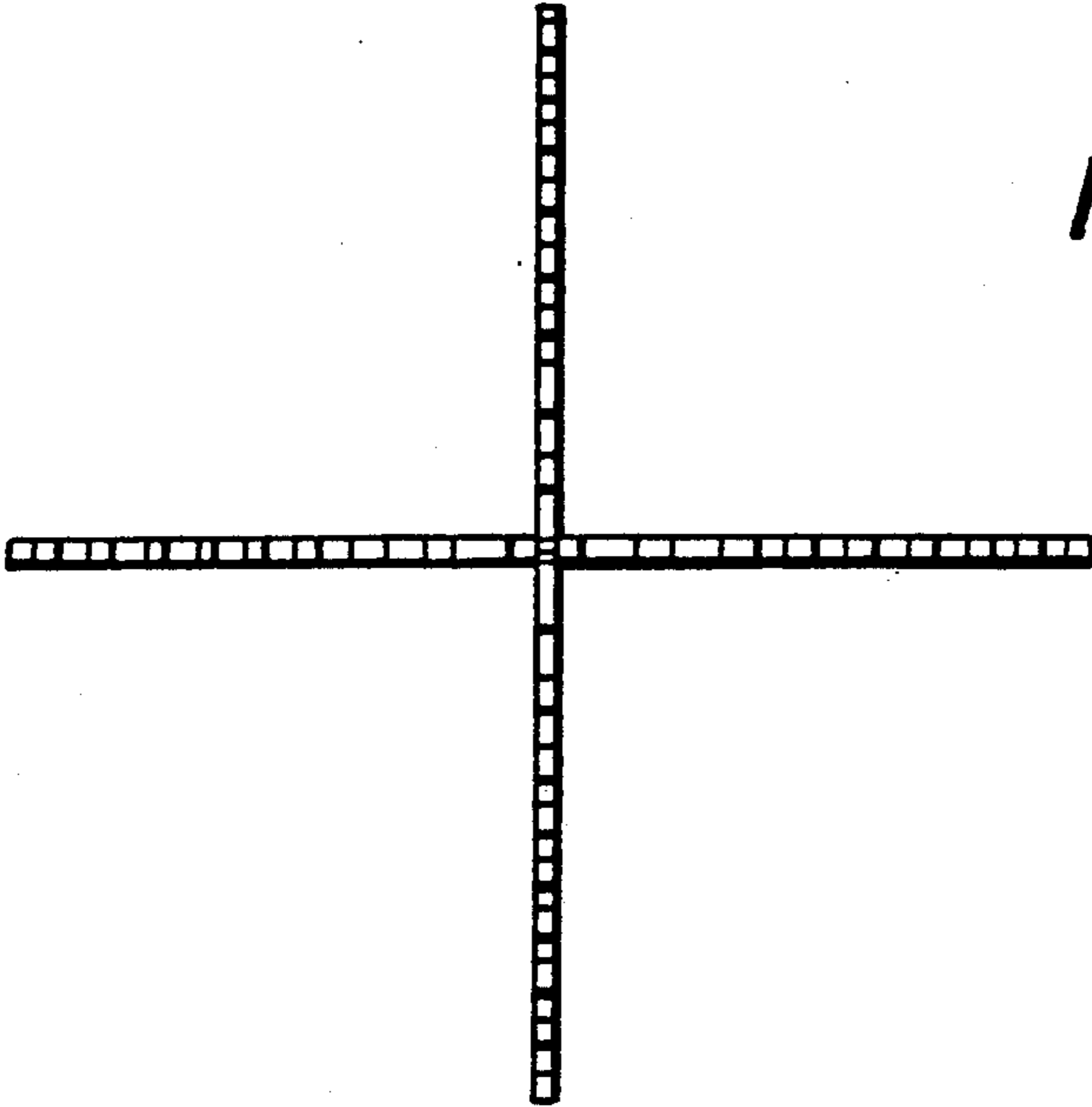


FIG. 4

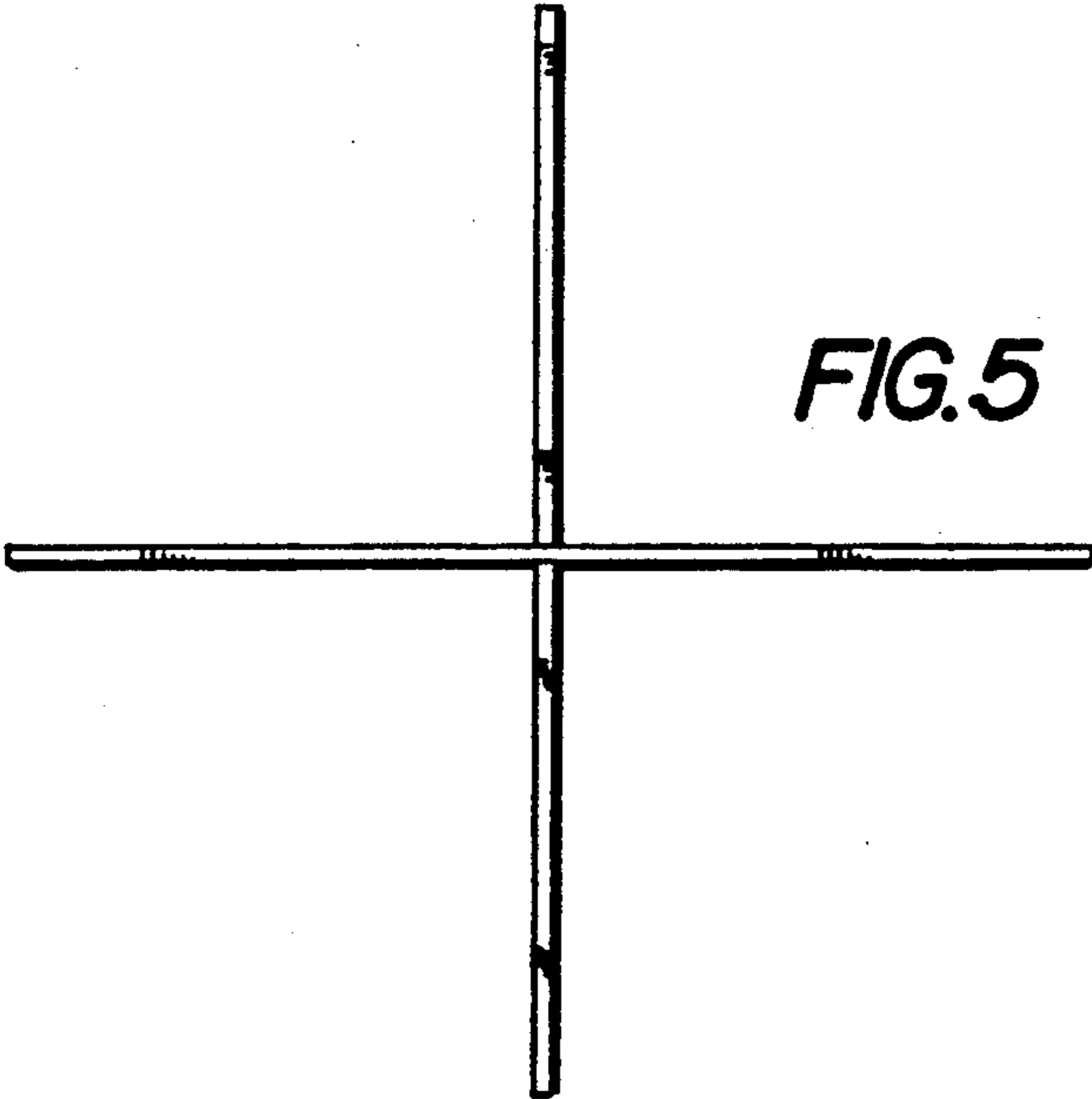


FIG. 5