



US00D324826S

United States Patent [19]

[11] Patent Number: **Des. 324,826**

Aulenti

[45] Date of Patent: **** Mar. 24, 1992**

[54] WATCH

[75] Inventor: **Gae Aulenti, Milan, Italy**

[73] Assignee: **Louis Vuitton Malletier, Paris, France**

[**] Term: **14 Years**

[21] Appl. No.: **208,393**

[22] Filed: **Jun. 17, 1988**

[30] Foreign Application Priority Data

Dec. 18, 1987 [FR] France 87 7649

[52] U.S. Cl. **D10/30; D10/38**

[58] Field of Search **D10/1, 2, 21-29, D10/30-40, 122-126; D11/1, 2, 3, 6, 19, 25; 63/3, 4, 9, 15, 73; 368/71, 72, 74, 76, 77, 80-84, 88, 223, 228-242, 276-286**

[56] References Cited

U.S. PATENT DOCUMENTS

- D. 42,657 6/1912 Wachter D10/32
- D. 47,376 5/1915 DePollier D10/32
- D. 104,443 5/1937 Elkonin D10/30 X
- D. 300,724 4/1989 Silberstein D20/32

- D. 302,133 7/1989 Woomer D10/32 X
- D. 310,035 8/1990 Braun et al. D10/32
- D. 310,637 9/1990 Sugano D10/30
- 4,711,583 12/1987 Oechslin et al. 368/16
- 4,881,213 11/1989 Zaslowsky 368/15
- 4,903,253 2/1990 Niklès et al. 368/282
- 4,945,521 7/1990 Klaus 368/21

Primary Examiner—Nelson C. Holtje
Assistant Examiner—Caron D. Veynar
Attorney, Agent, or Firm—Merchant & Gould, Smith, Edell, Welter & Schmidt

[57] CLAIM

The ornamental design for a watch, as shown.

DESCRIPTION

FIG. 1 is a top plan view of a watch showing my new design;
 FIG. 2 is a bottom plan view;
 FIG. 3 is a left side elevational view, the right side elevational view being a mirror image; and,
 FIG. 4 is a bottom plan view of a second embodiment of my new design as shown in FIG. 2.
 The broken line showing of a watch strap portion in FIGS. 1-4 is environmental only and forms no part of the claimed design.

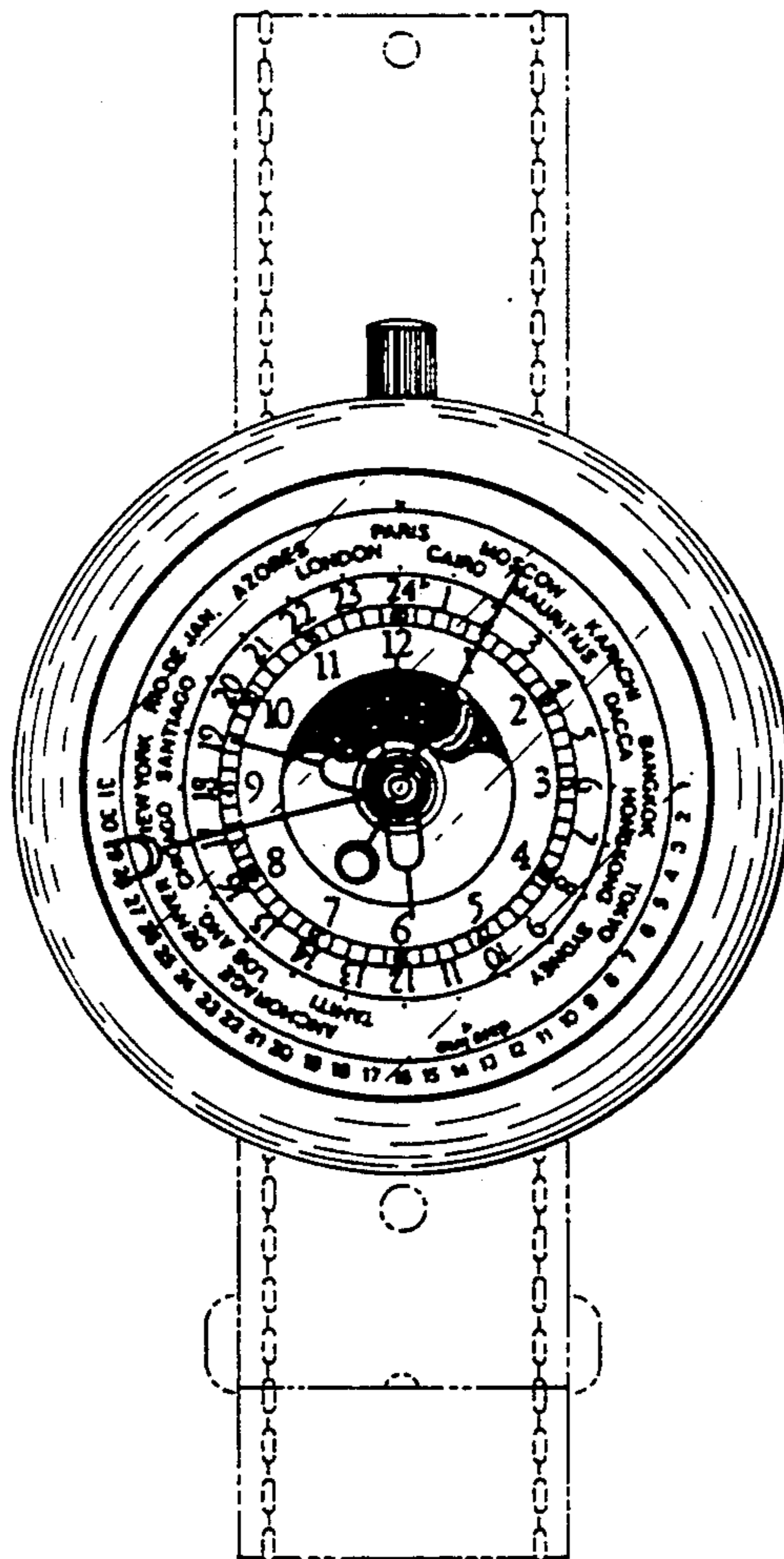


FIG. 1

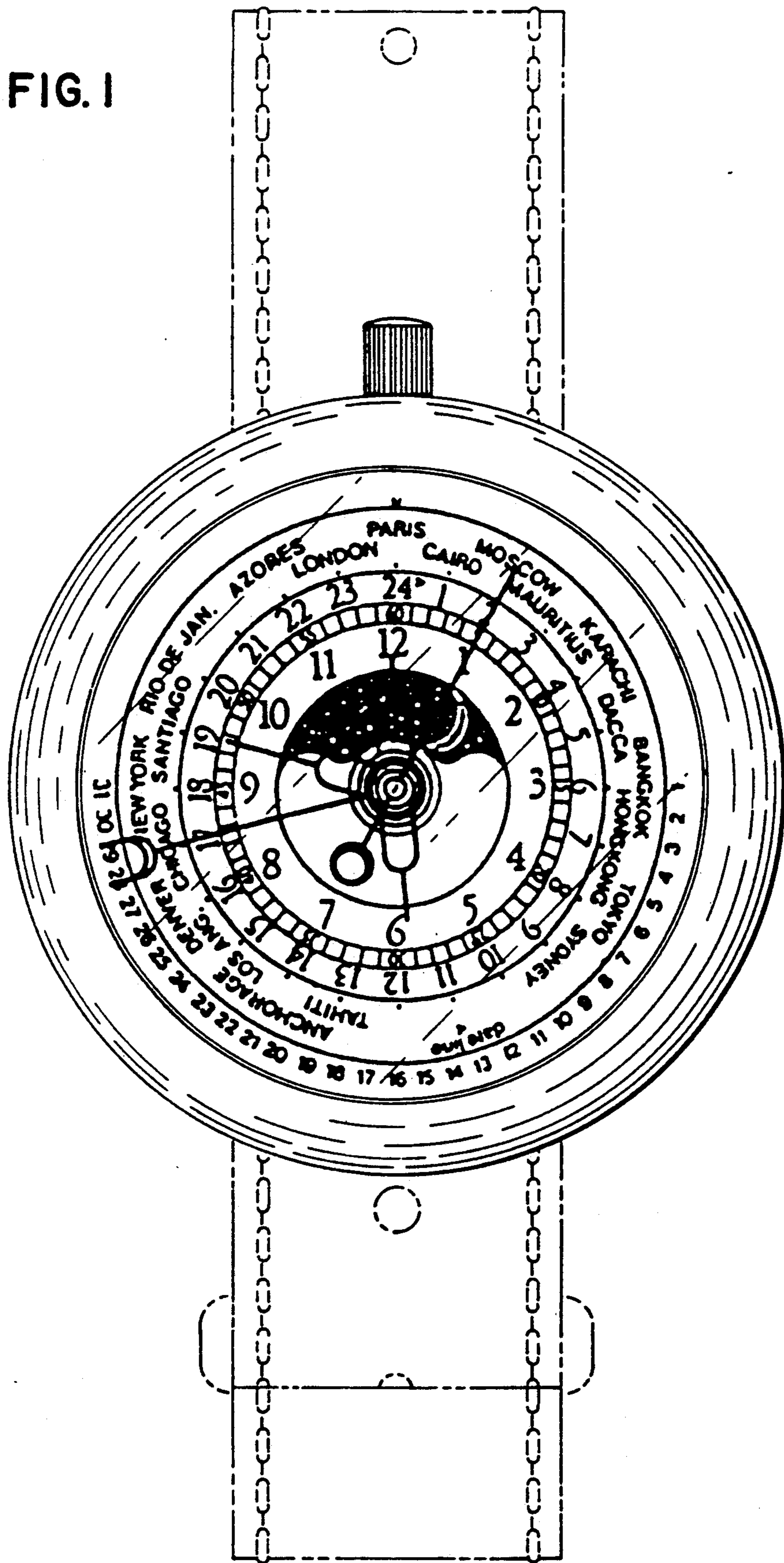


FIG. 2

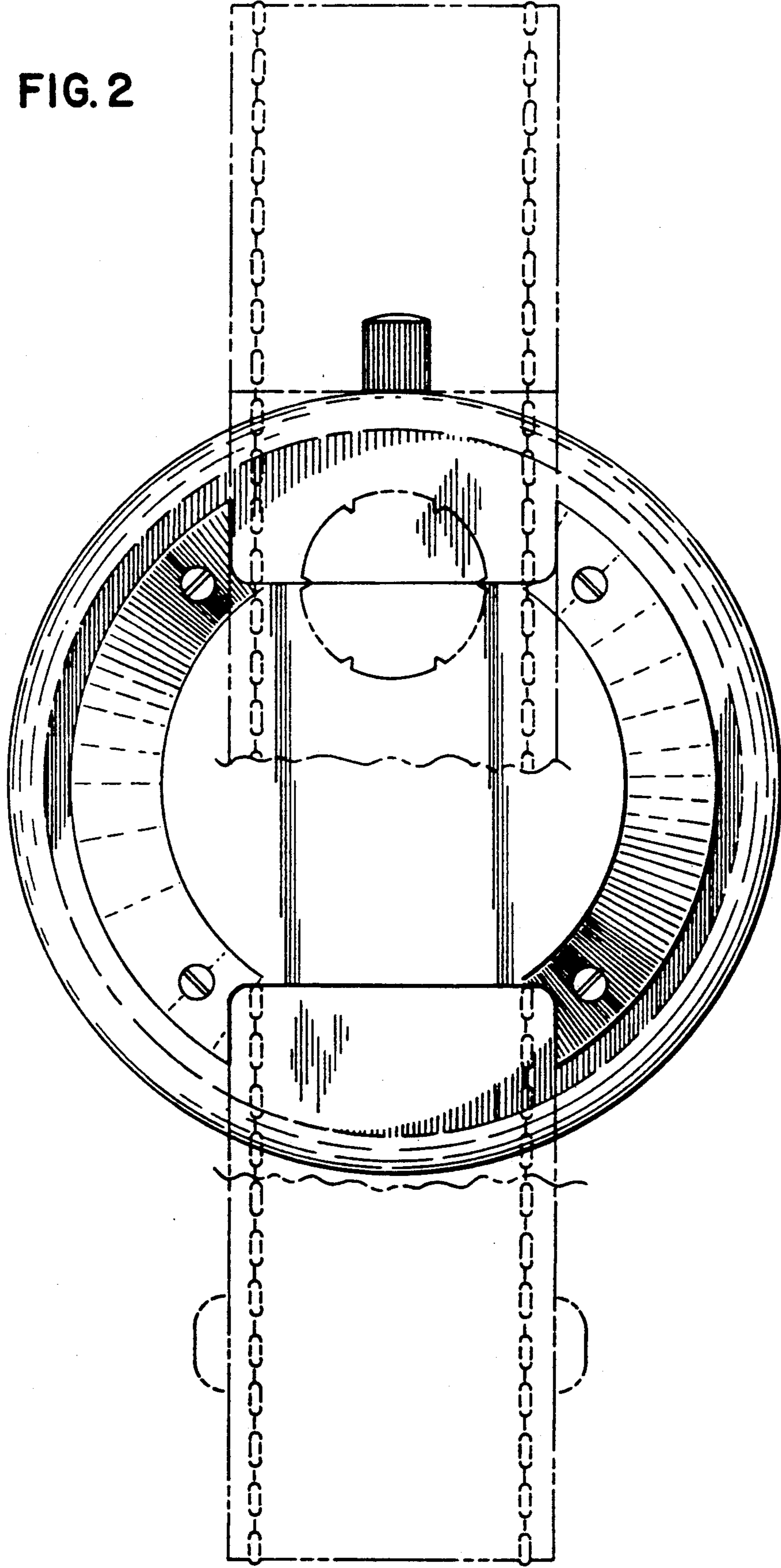


FIG. 3

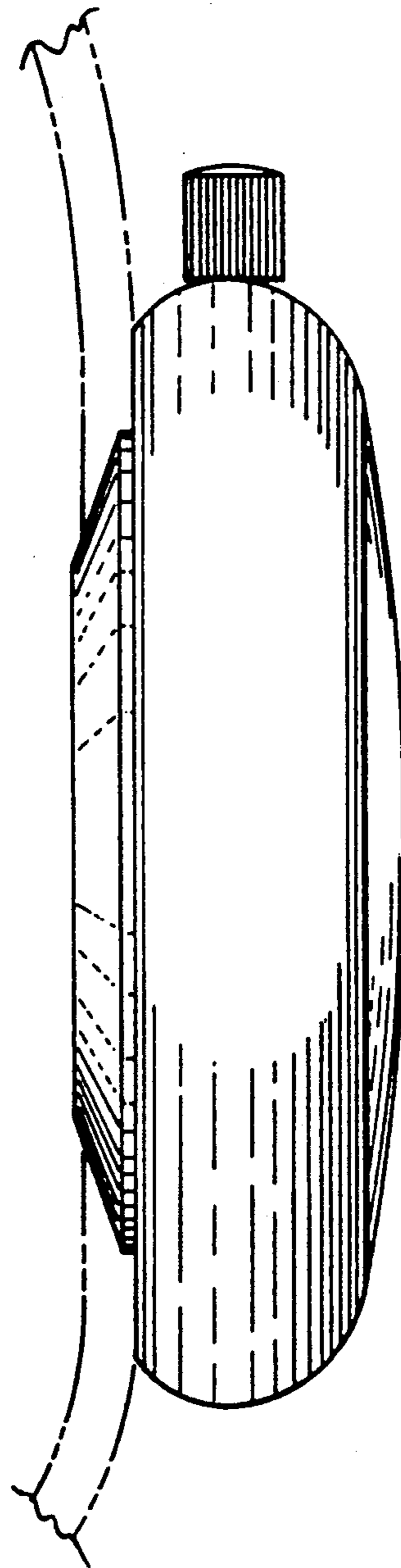


FIG. 4

