



US00D324824S

# United States Patent [19]

[11] Patent Number: **Des. 324,824**

Hansen

[45] Date of Patent: **\*\* Mar. 24, 1992**

## [54] COMBINED VENTED CLOSURE AND CAPPED STRAW

[75] Inventor: **Randall Hansen, Redondo Beach, Calif.**

[73] Assignee: **Sip Top Marketing, Inc., Los Angeles, Calif.**

[\*\*] Term: **14 Years**

[21] Appl. No.: **456,281**

[22] Filed: **Dec. 26, 1989**

[52] U.S. Cl. .... **D9/436; D7/300.2; D9/435; D9/446; D9/447**

[58] Field of Search ..... **D9/434, 435, 436, 444-447, D9/449; D7/300.2; D12/114; 239/33; 215/229; 224/30 A, 30 R, 32 R, 32 A, 35, 37**

### [56] References Cited

#### U.S. PATENT DOCUMENTS

D. 193,121	6/1962	Wickman	.....	D9/446
D. 303,197	9/1989	Turner, Jr. et al.	.....	D7/300.2
1,236,029	8/1917	Williams	.....	239/33
2,613,988	10/1952	Jarbeau	.....	239/33
2,789,734	4/1957	Biederman	.....	D9/447 X
2,958,439	11/1960	Yochem	.....	220/339
4,134,494	1/1979	Wong	.....	D7/300.2 X
4,448,316	5/1984	Hiroshige	.....	220/90.2 X

#### OTHER PUBLICATIONS

Better Homes and Gardens; Nov. 1988; p. M-2; Gravy Master Ribbed Closure.

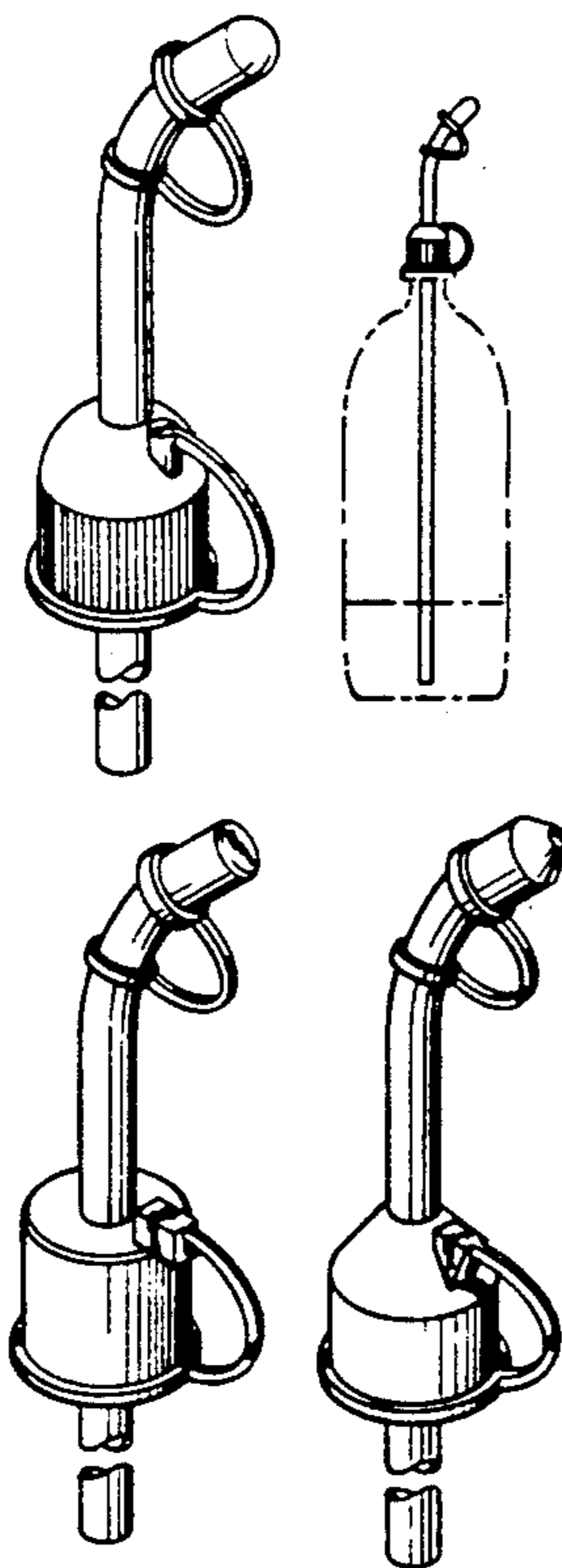
*Primary Examiner*—Bernard Ansher  
*Assistant Examiner*—Dominic Simone  
*Attorney, Agent, or Firm*—Knobbe, Martens, Olson & Bear

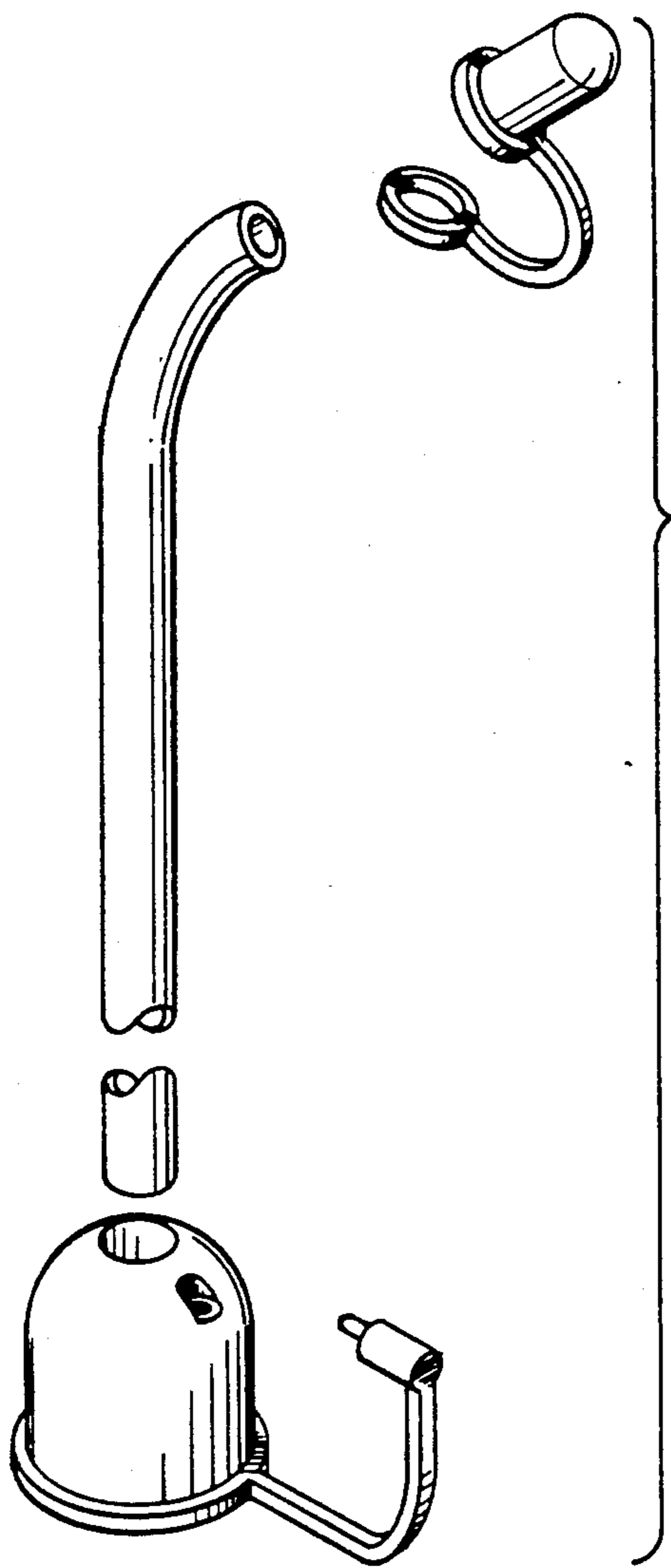
### [57] CLAIM

The ornamental design for a combined vented closure and capped straw, as shown and described.

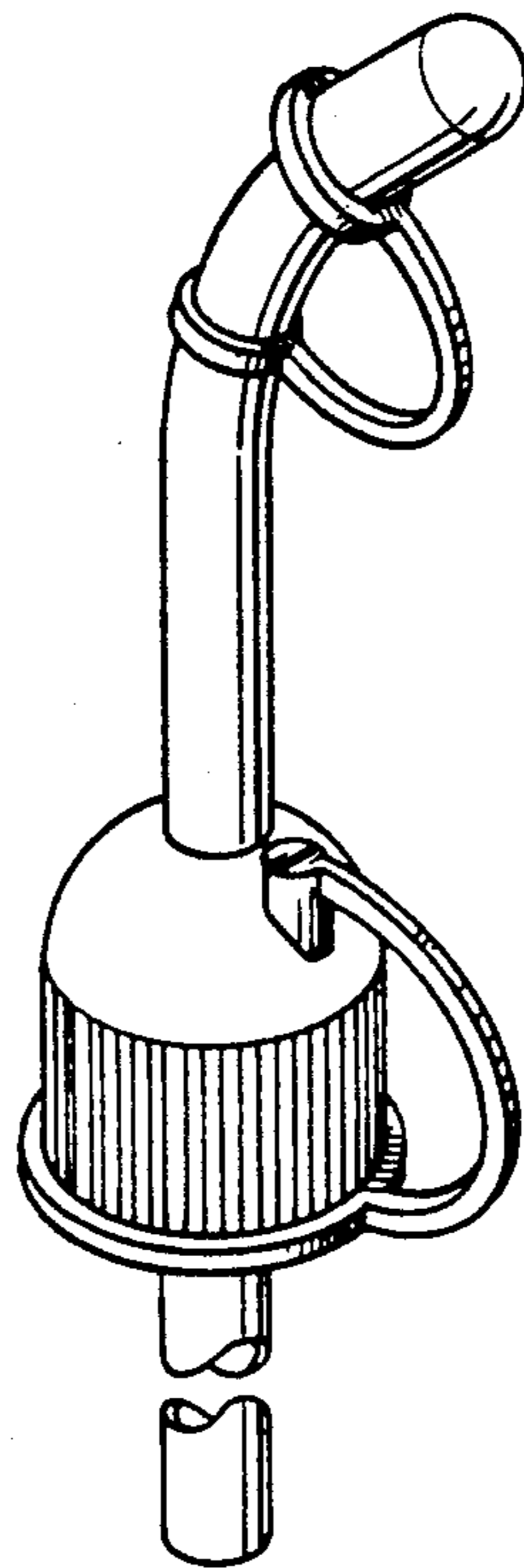
### DESCRIPTION

FIG. 1 is an exploded perspective view of a combined vented closure and capped straw showing my new design, the straw broken away to show indefinite length; FIG. 2 is a front perspective view of the vented closure, shown separately for ease of illustration; FIG. 3 is a perspective view of a second embodiment of FIG. 1, in an assembled condition, the difference residing in the ribbed sides; FIG. 4 is a front elevational view of FIG. 3; FIG. 5 is a rear elevational view of FIG. 3; FIG. 6 is a right side elevational view of FIG. 3, the left side being a mirror image; FIG. 7 is a top plan view of FIG. 3; FIG. 8 is a bottom plan view of FIG. 3; FIG. 9 is a reduced side elevational view of FIG. 3, the container shown in broken lines for illustrative purposes only; FIG. 10 is a perspective view of a third embodiment of FIG. 1, the difference residing in the shape of the cap and the vented closure; and, FIG. 11 is a perspective view of a fourth embodiment of FIG. 1, the difference residing in the shape of the cap and the vented closure.



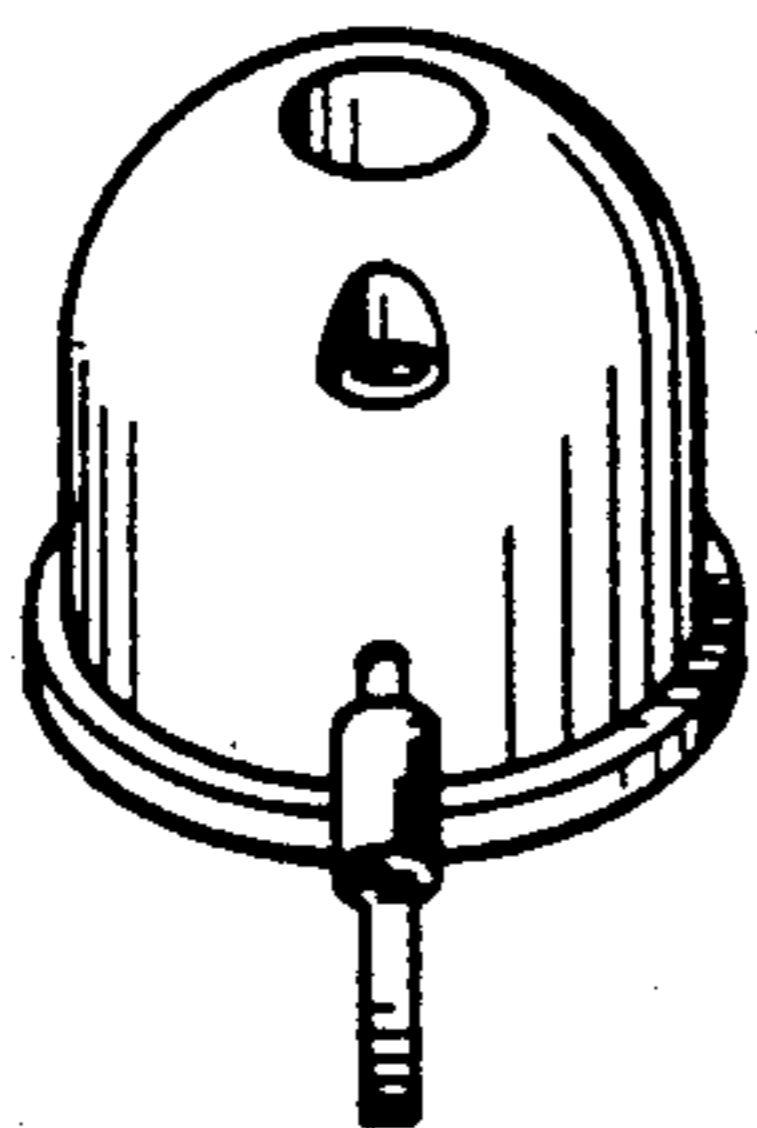


*Fig.1*

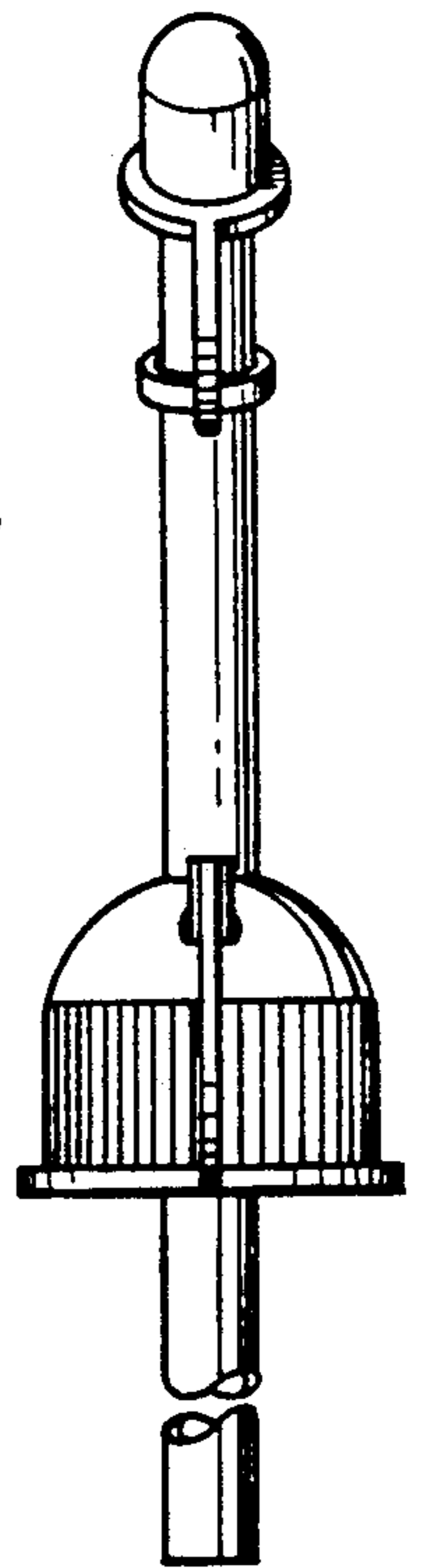


*Fig.3*

*Fig.2*



*Fig.4*



*Fig.5*

