



US00D324816S

United States Patent [19]

[11] Patent Number: **Des. 324,816**

LeDuc

[45] Date of Patent: **** Mar. 24, 1992**

[54] **PROTECTIVE COVER FOR ELECTRICAL SWITCHES OR SOCKETS**

3,204,807 9/1965 Ramsing 220/242
4,588,851 5/1986 Turner 174/138 F X
4,953,733 9/1990 Loscuito 220/3.8 X

[76] Inventor: **Paul J. LeDuc**, 27 Orchard Park Drive, Scarborough, Ontario, M1E 2T6, Canada

Primary Examiner—Susan J. Lucas
Assistant Examiner—J. Sincavage
Attorney, Agent, or Firm—Jeffrey T. Imai; Arne I. Fors

[**] Term: **14 Years**

[57] **CLAIM**

[21] Appl. No.: **503,567**

The ornamental design for protective cover for electrical switches or sockets, as shown and described.

[22] Filed: **Apr. 2, 1990**

[30] **Foreign Application Priority Data**

DESCRIPTION

Oct. 10, 1989 [CA] Canada 1010893

[52] U.S. Cl. **D8/353; D13/177**

[58] Field of Search D13/156, 173, 177;
D8/350, 353; 174/66, 67, 138 F; 220/3.8, 241,
242; 200/333; 439/135, 136

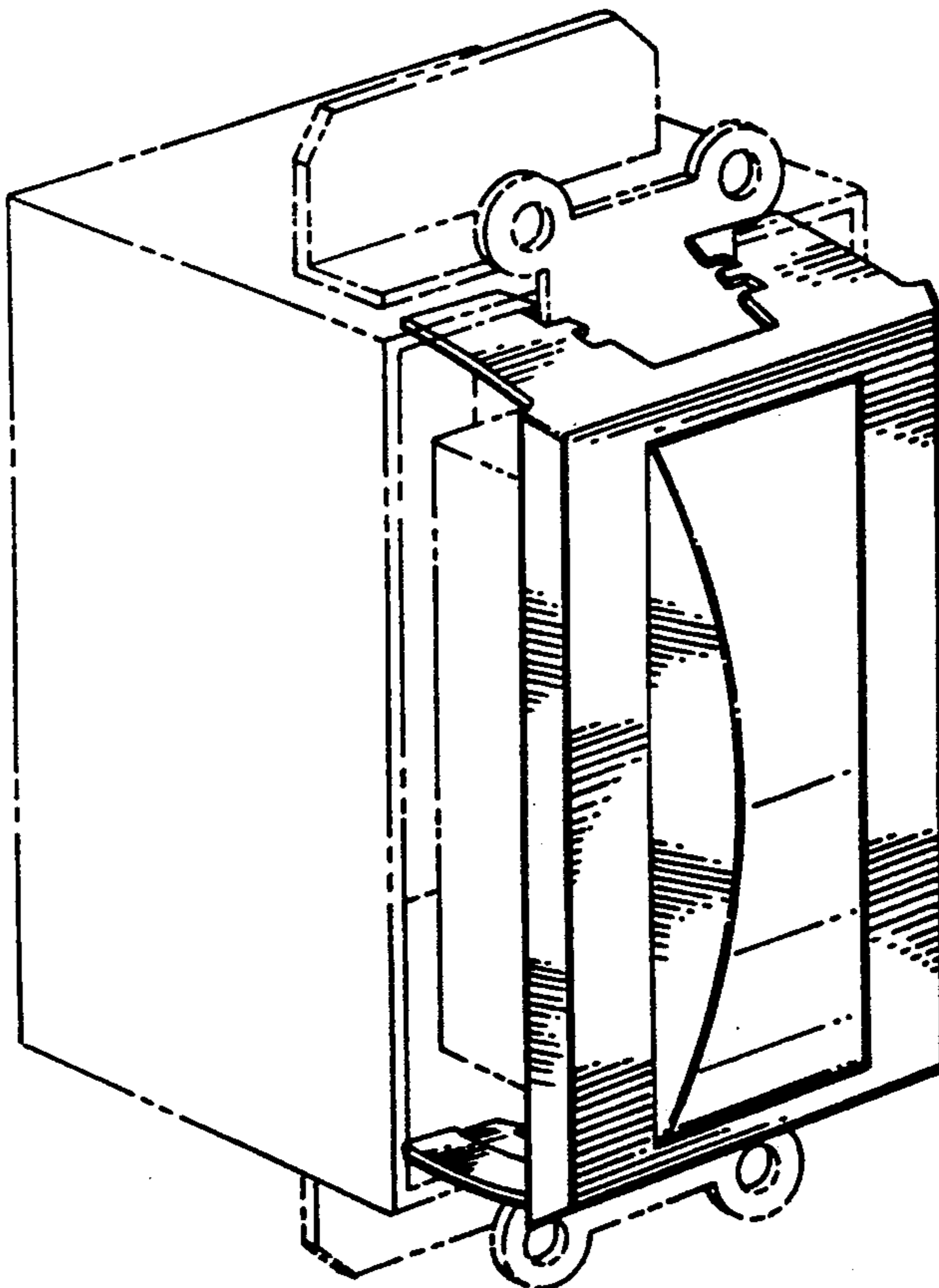
FIG. 1 is a front and upper left perspective view of a protective cover for electrical switches or sockets showing my new design. The broken line showing of the electrical switch or socket is included for the purpose of illustrating environmental elements only and forms no part of the claimed design;

[56] **References Cited**

U.S. PATENT DOCUMENTS

D. 228,487 10/1973 Perry D8/353
D. 279,860 7/1985 Schwalbe D8/350 X
D. 301,336 5/1989 Copeland D13/173
D. 301,872 6/1989 Copeland D13/173

FIG. 2 is a front elevational view thereof;
FIG. 3 is a rear elevational view thereof;
FIG. 4 is a left side elevational view thereof;
FIG. 5 is a right side elevational view thereof; and,
FIG. 6 is an end elevational view thereof, the opposite end elevational view thereof being a mirror image.



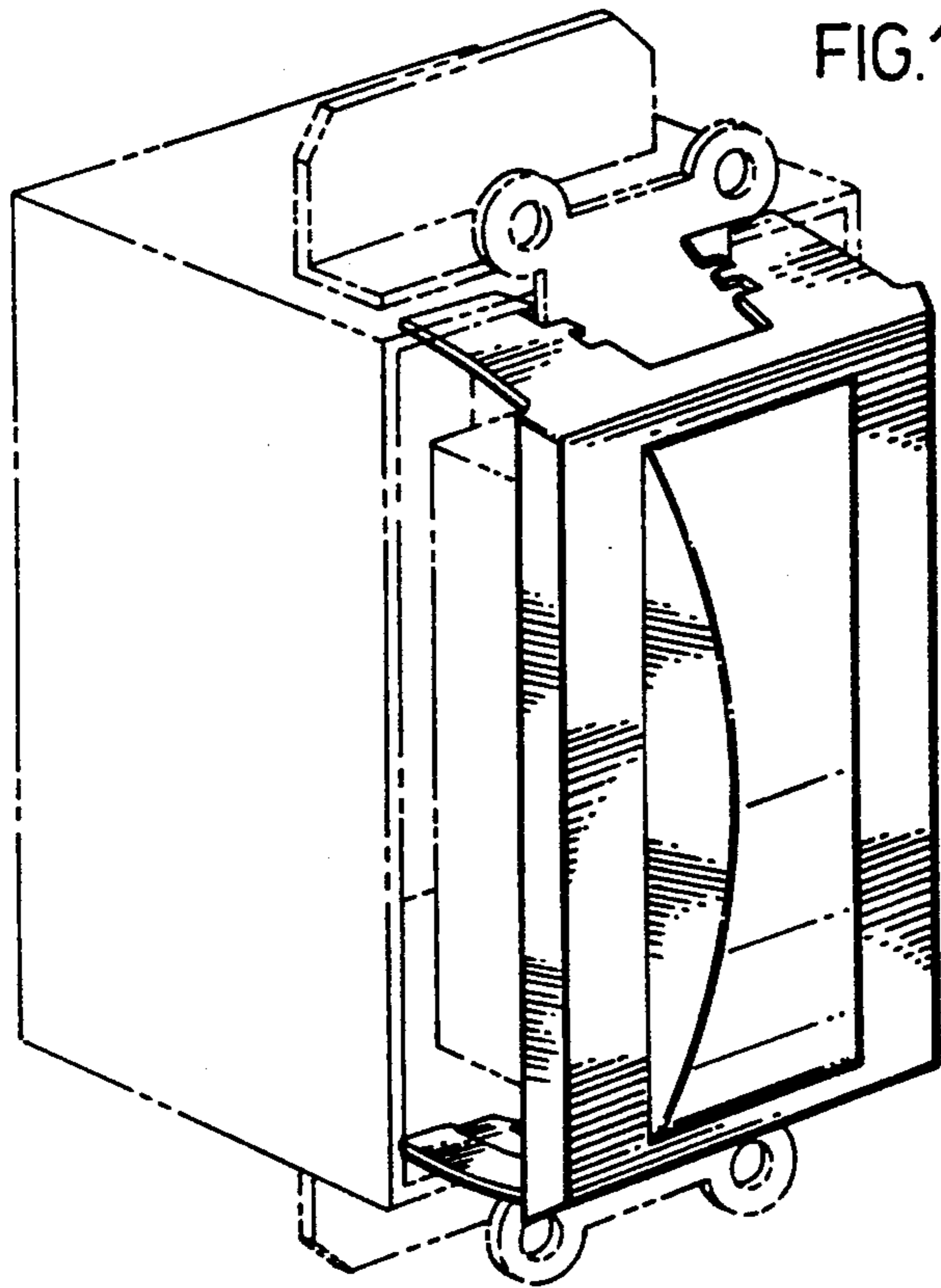


FIG. 1.

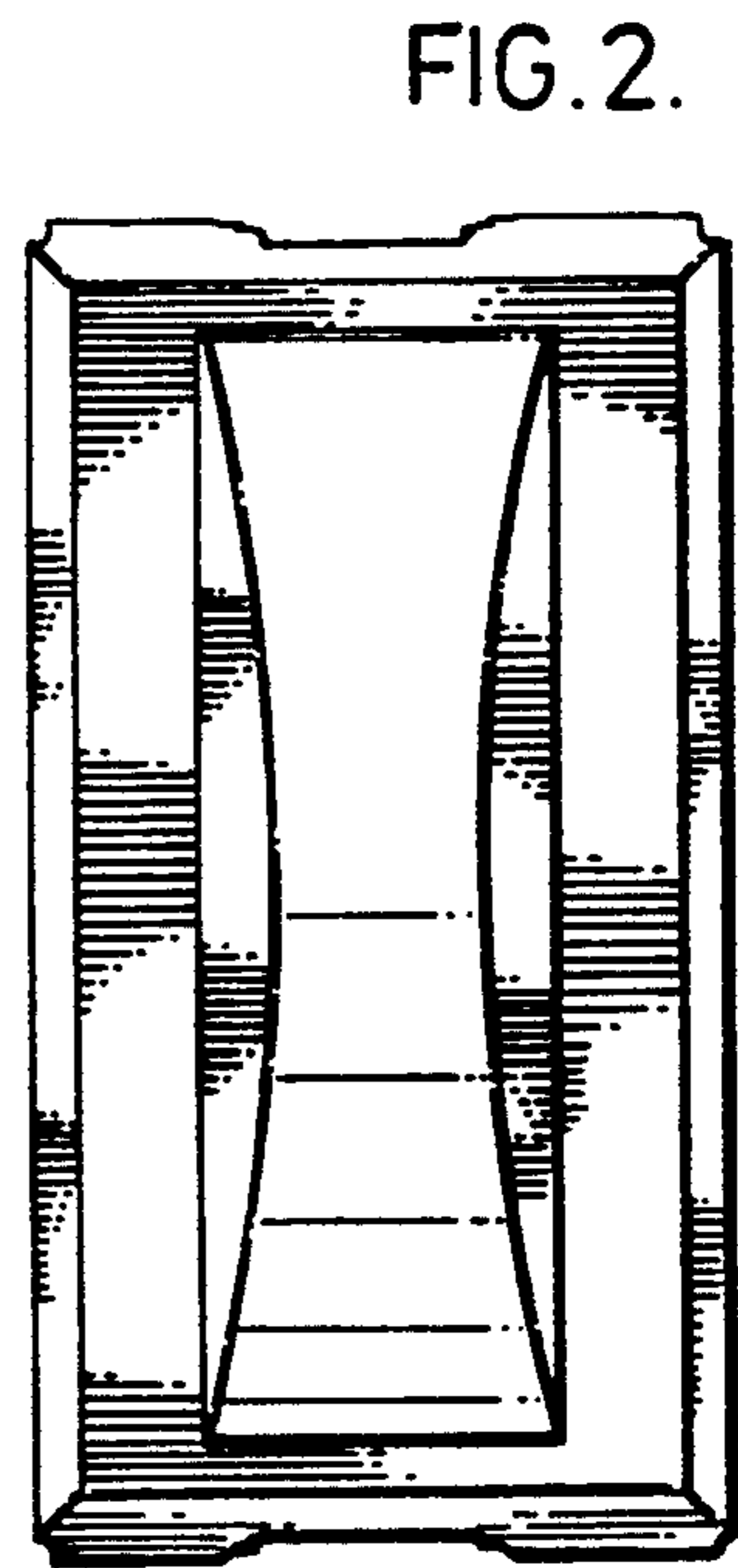


FIG. 2.

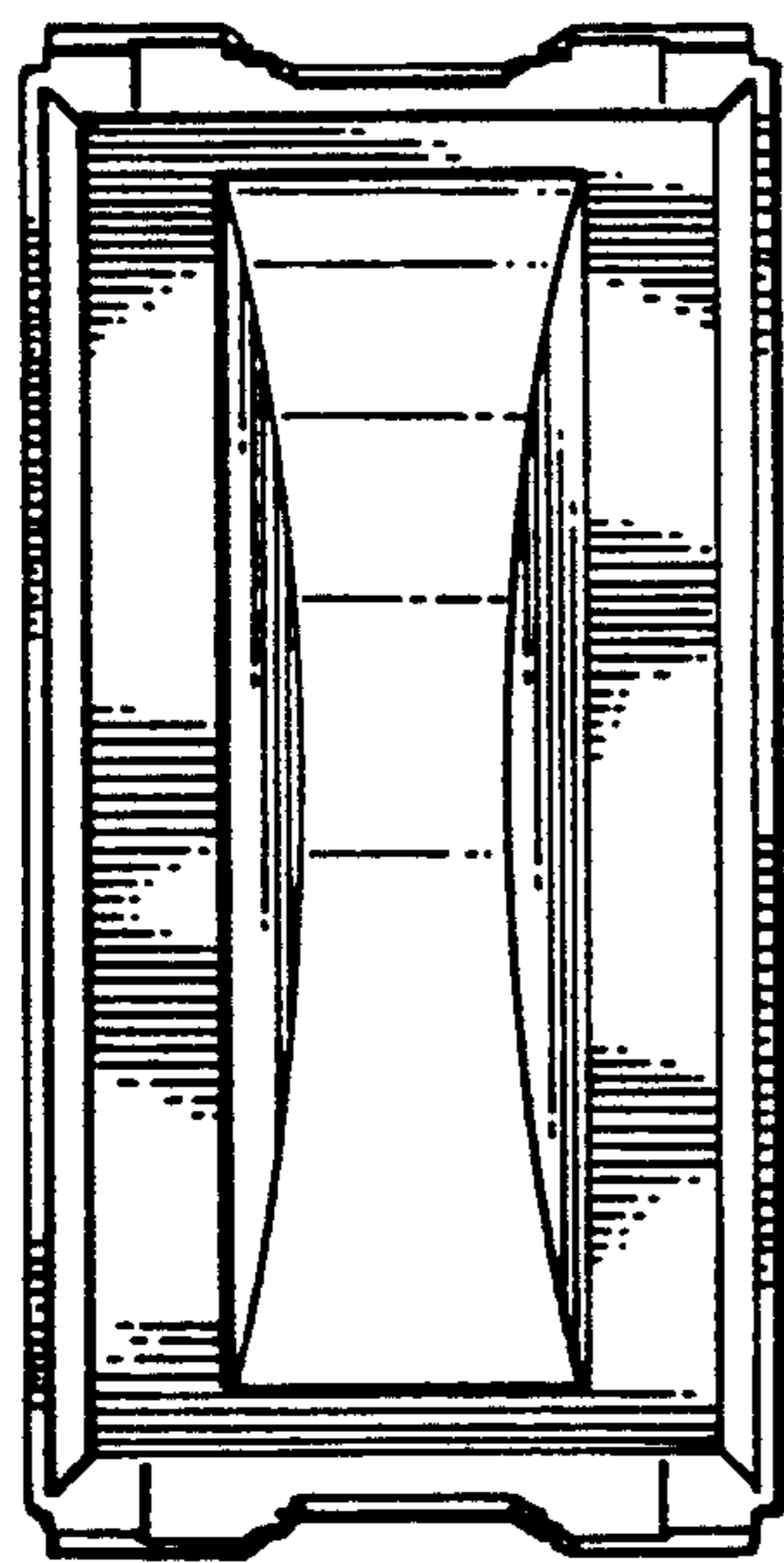


FIG. 3.



FIG. 4.

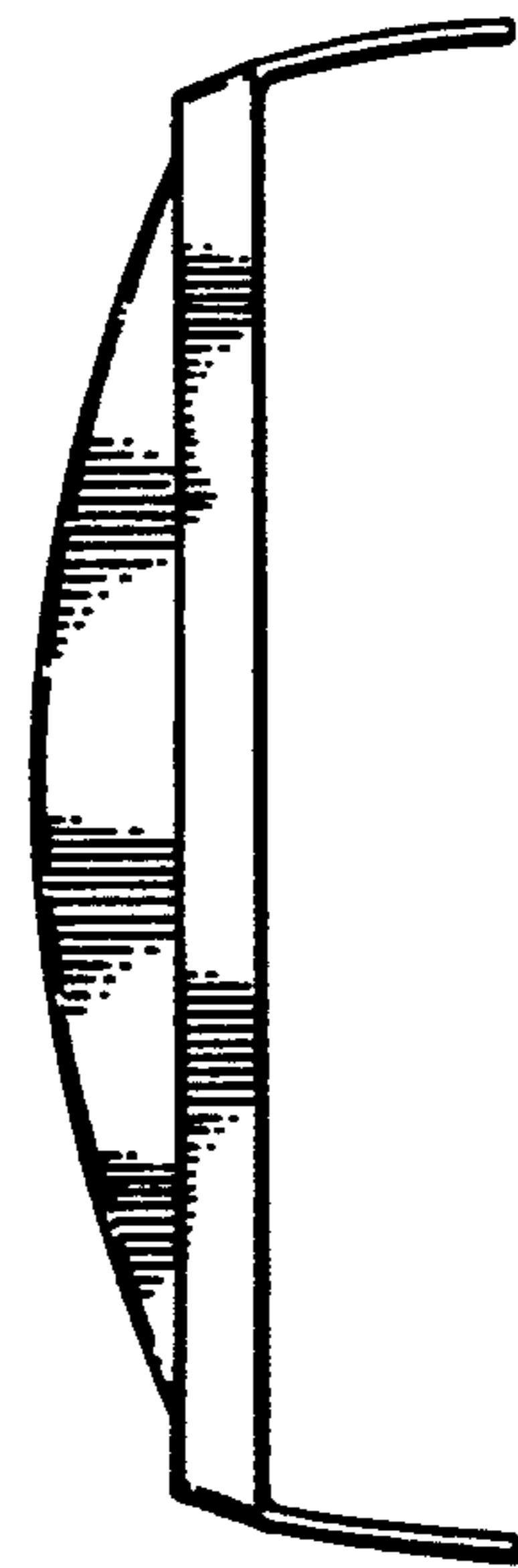


FIG. 5.

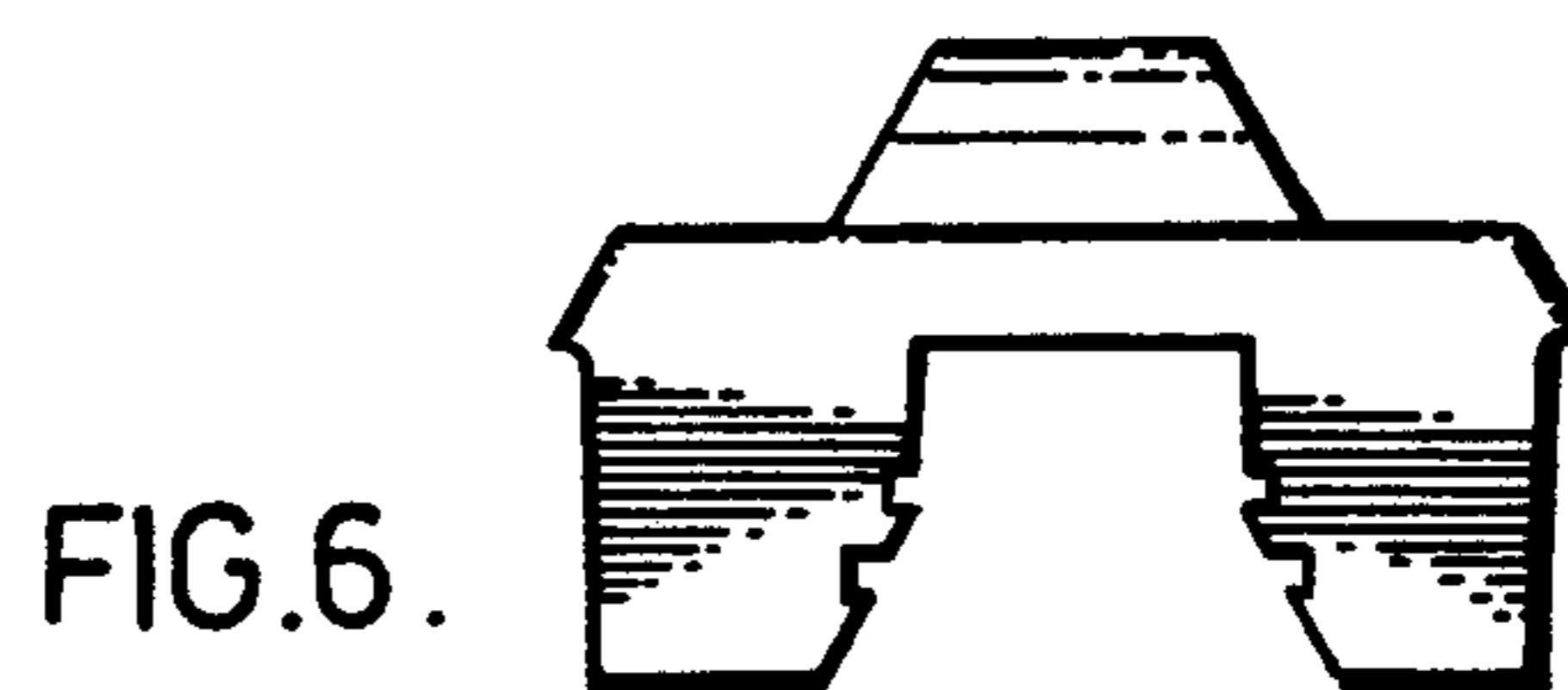


FIG. 6.