



US00D324809S

# United States Patent [19]

Gisiger

[11] Patent Number: **Des. 324,809**

[45] Date of Patent: **\*\* Mar. 24, 1992**

[54] **LUGGAGE LOCK**

[76] Inventor: **Urs Gisiger, Schulhausstrasse 19, 2545 Selzach, Switzerland**

[\*\*] Term: **14 Years**

[21] Appl. No.: **562,944**

[22] Filed: **Aug. 2, 1990**

[52] U.S. Cl. .... **D8/331; D8/338**

[58] Field of Search ..... **D8/330-346; 70/57-58, 64, 66-72, 74-75, 286-288, 306, 312, 316, 330, 332, DIG. 26; 292/DIG. 48, DIG. 49**

[56] **References Cited**

### U.S. PATENT DOCUMENTS

|            |         |               |       |         |
|------------|---------|---------------|-------|---------|
| D. 267,130 | 10/1984 | Gisiger       | ..... | D8/330  |
| D. 283,005 | 3/1986  | Gisiger       | ..... | D8/331  |
| D. 291,772 | 9/1987  | Gisiger       | ..... | D8/331  |
| D. 291,774 | 9/1987  | Gisiger       | ..... | D8/341  |
| 2,382,756  | 8/1945  | Wagner et al. | ..... | 70/75   |
| 2,730,390  | 1/1956  | Atkinson      | ..... | 70/67 X |

|           |        |            |       |          |
|-----------|--------|------------|-------|----------|
| 3,025,692 | 3/1962 | Cheney     | ..... | 70/67    |
| 4,343,162 | 8/1982 | Giacometti | ..... | 70/67    |
| 4,719,777 | 1/1988 | Hwang      | ..... | 90/288 X |

### OTHER PUBLICATIONS

Prestolock Cat. (1963) p. 13-Surface lock.

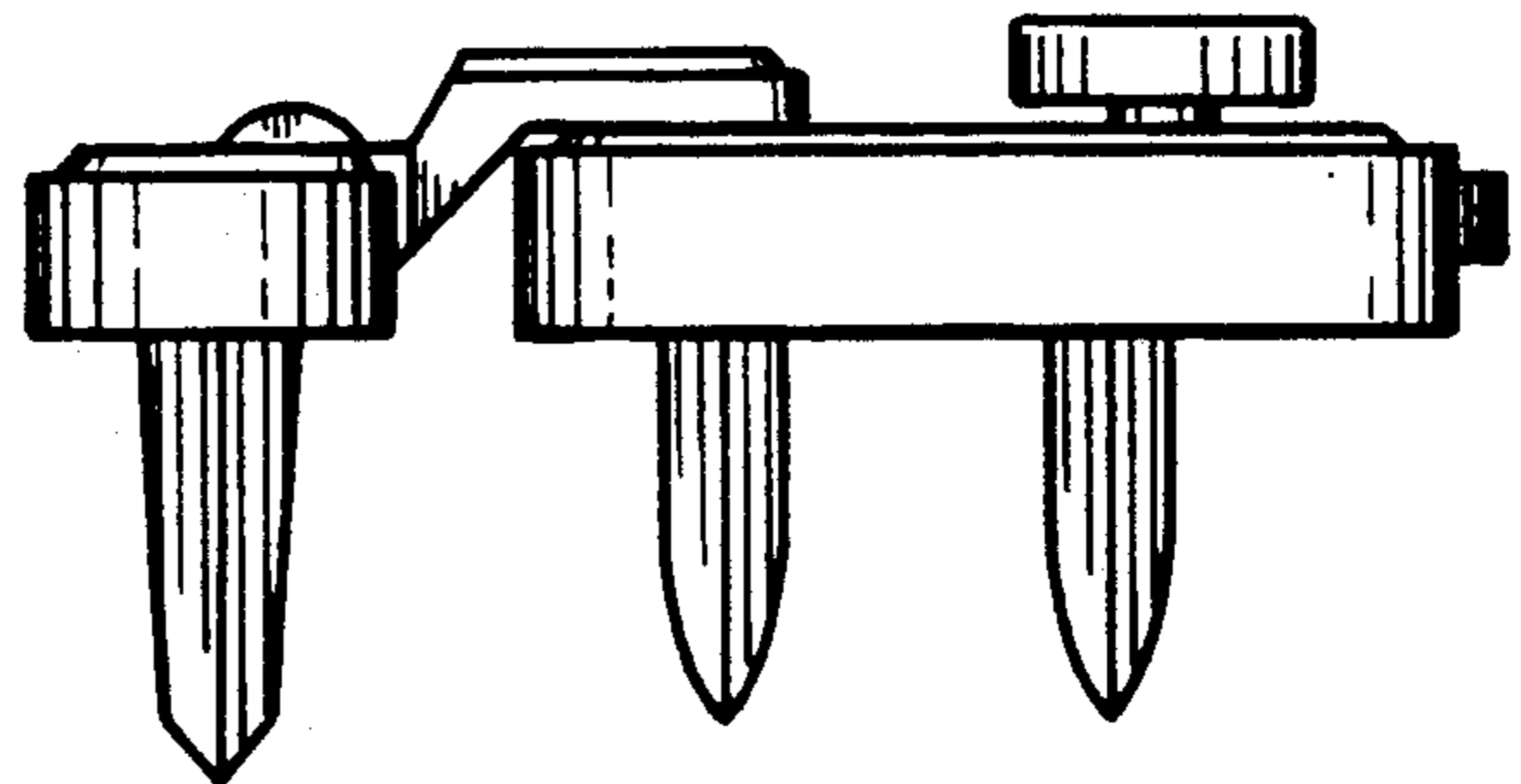
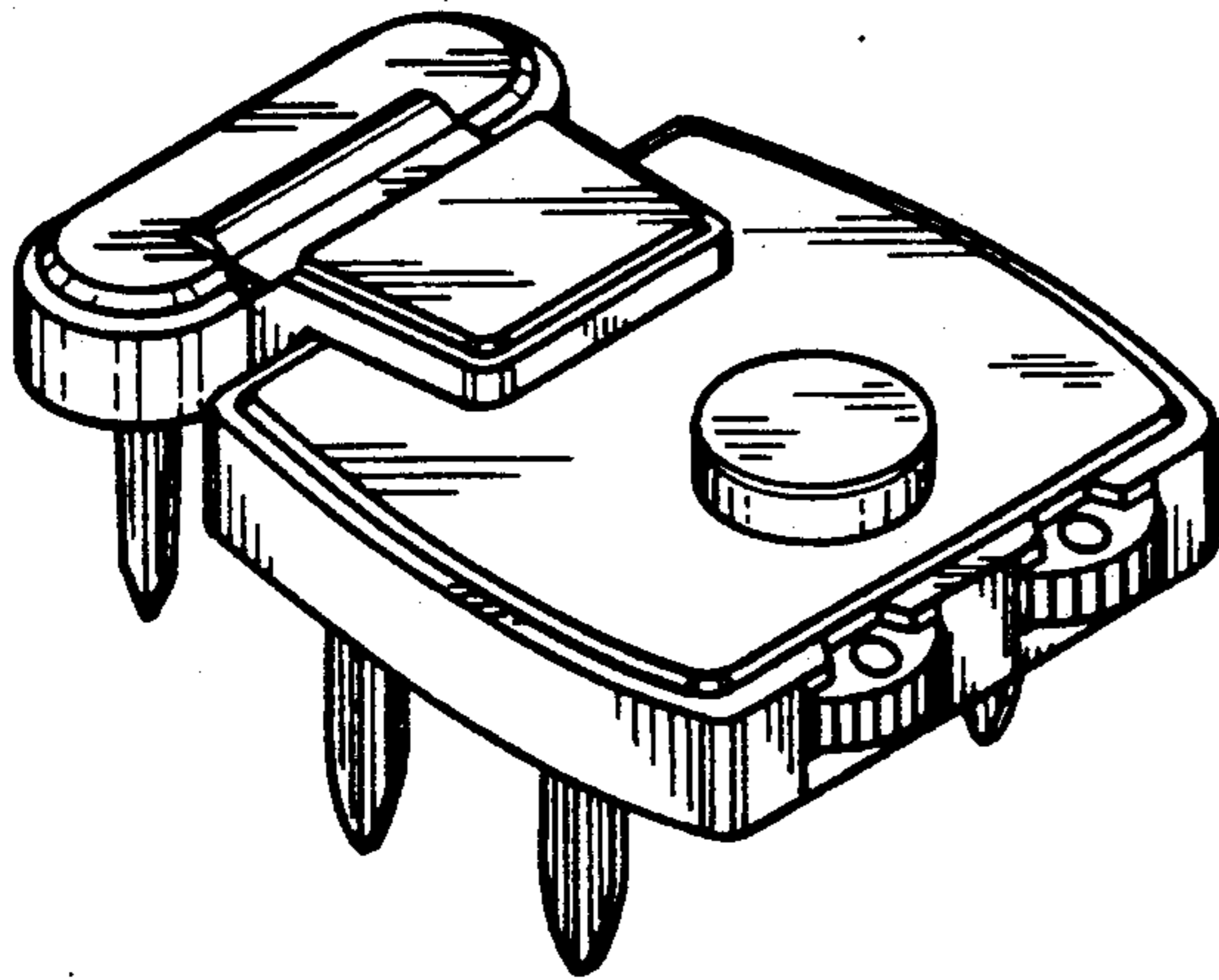
Primary Examiner—Brian N. Vinson

### [57] CLAIM

The ornamental design for a luggage lock, as shown and described.

### DESCRIPTION

FIG. 1 is a top, front, and left side perspective view of a luggage lock showing my new design;  
 FIG. 2 is a top plan view thereof;  
 FIG. 3 is a front elevational view thereof;  
 FIG. 4 is a bottom plan view thereof;  
 FIG. 5 is a left side elevational view thereof, the right side being a mirror image of that shown; and,  
 FIG. 6 is a rear elevational view thereof.



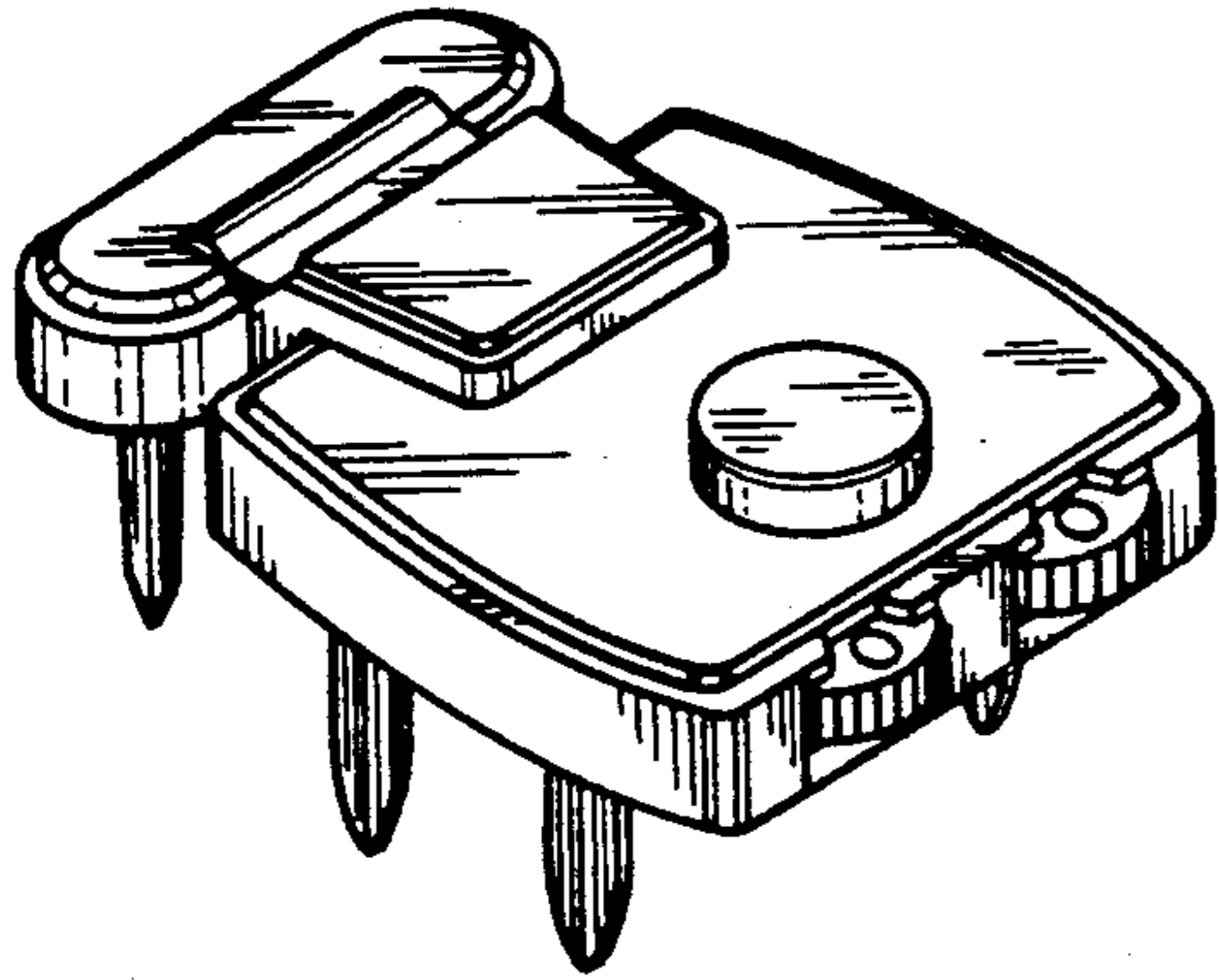


FIG. 1

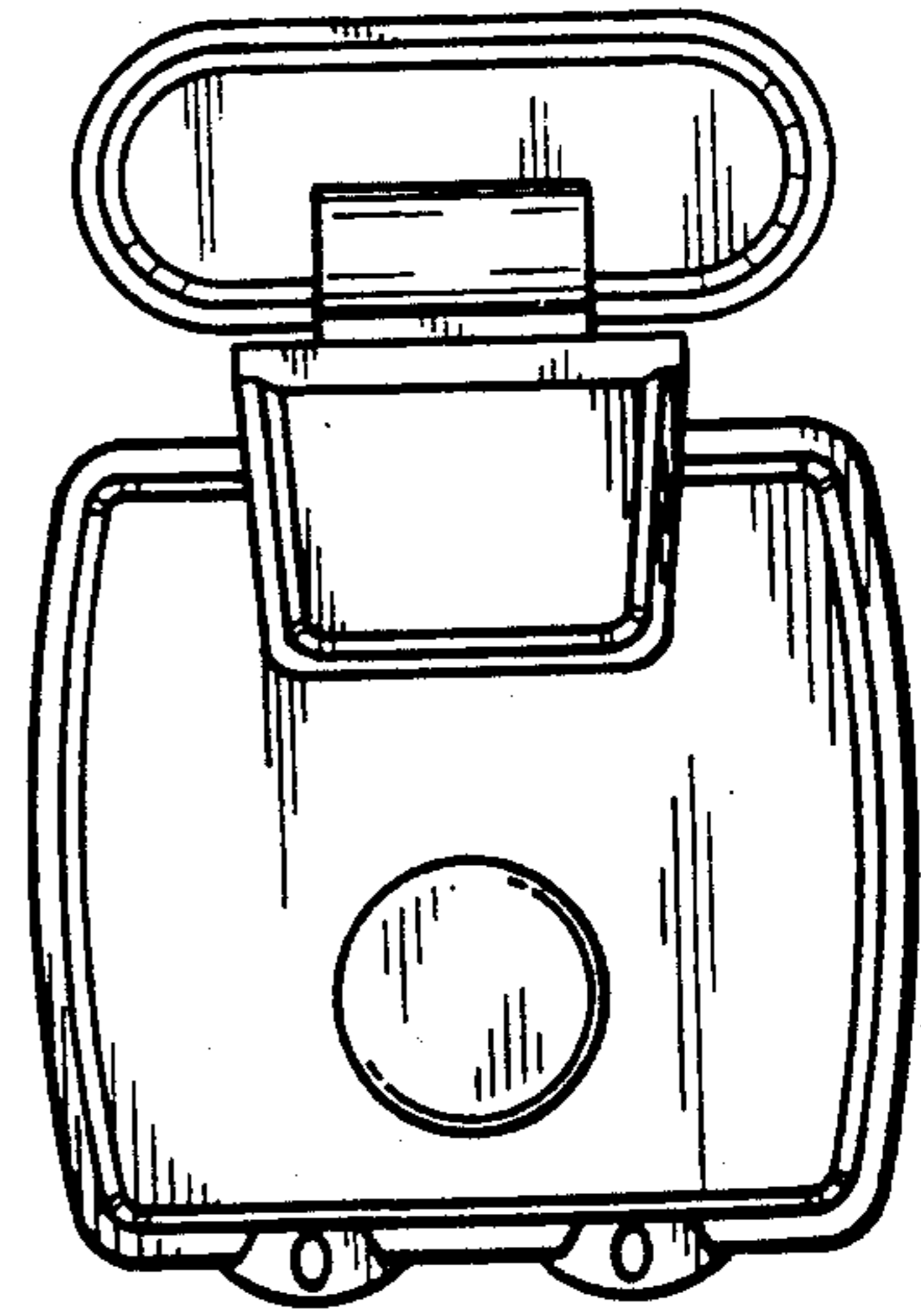


FIG. 2

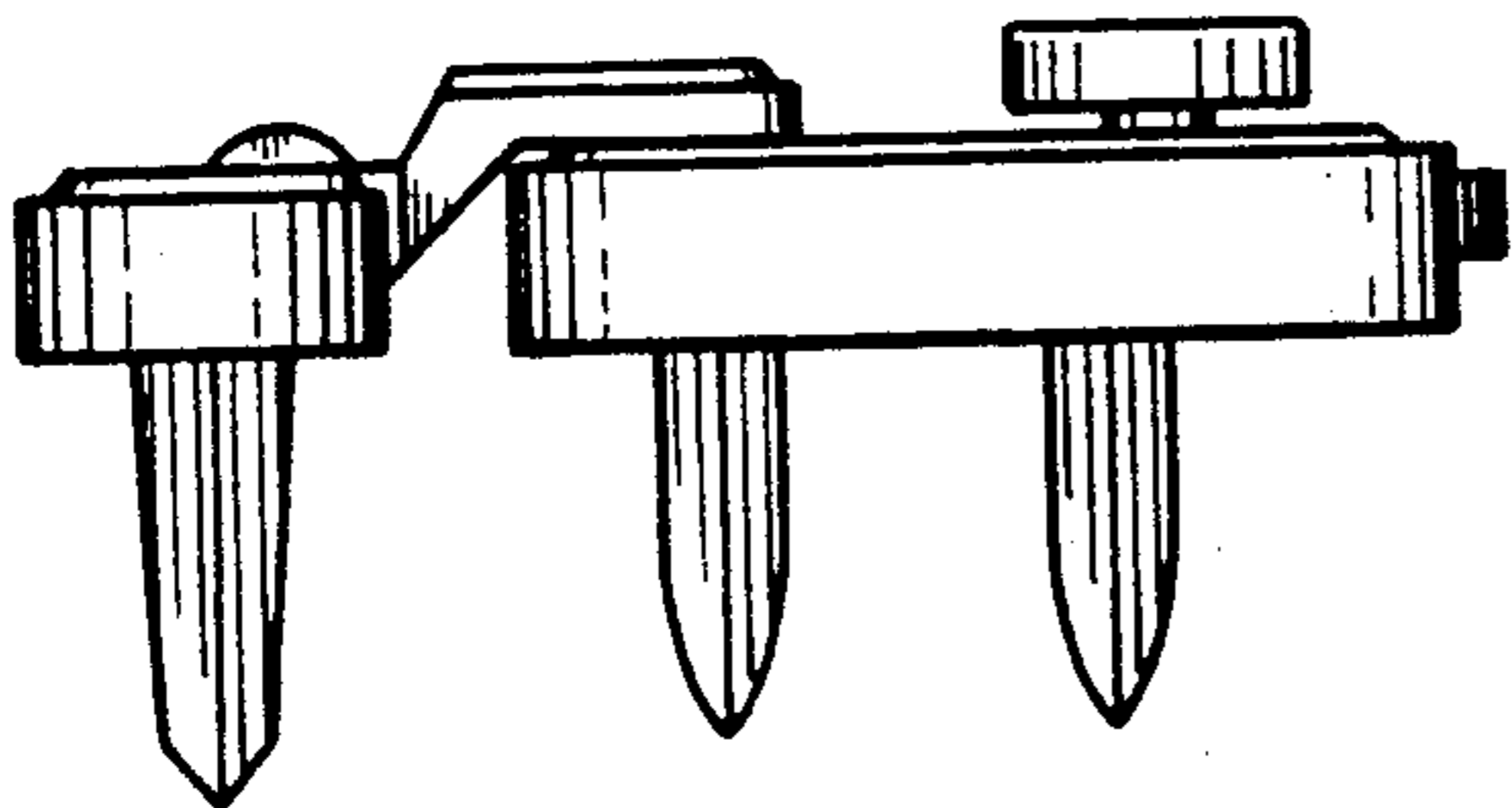


FIG. 5

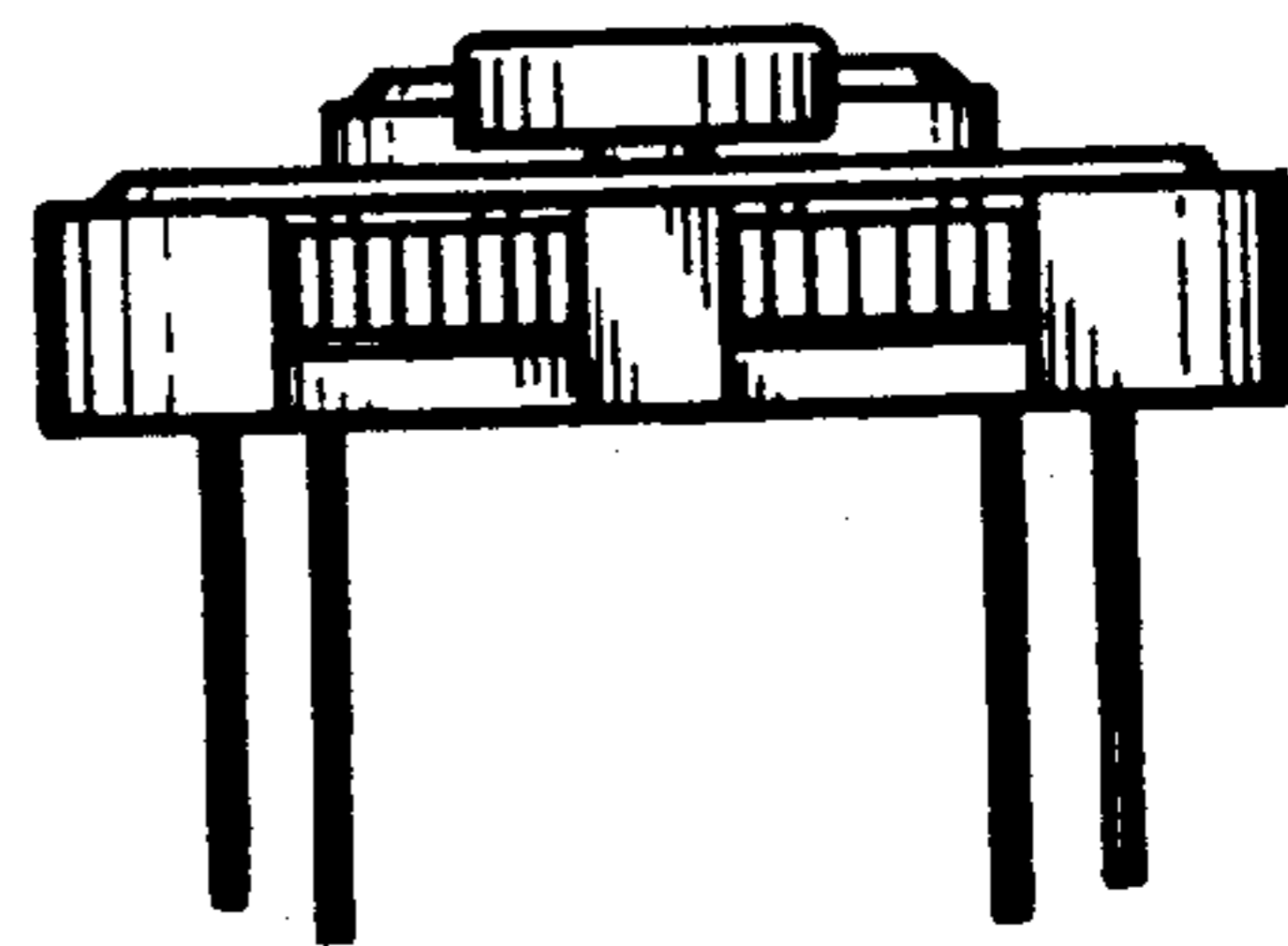


FIG. 3

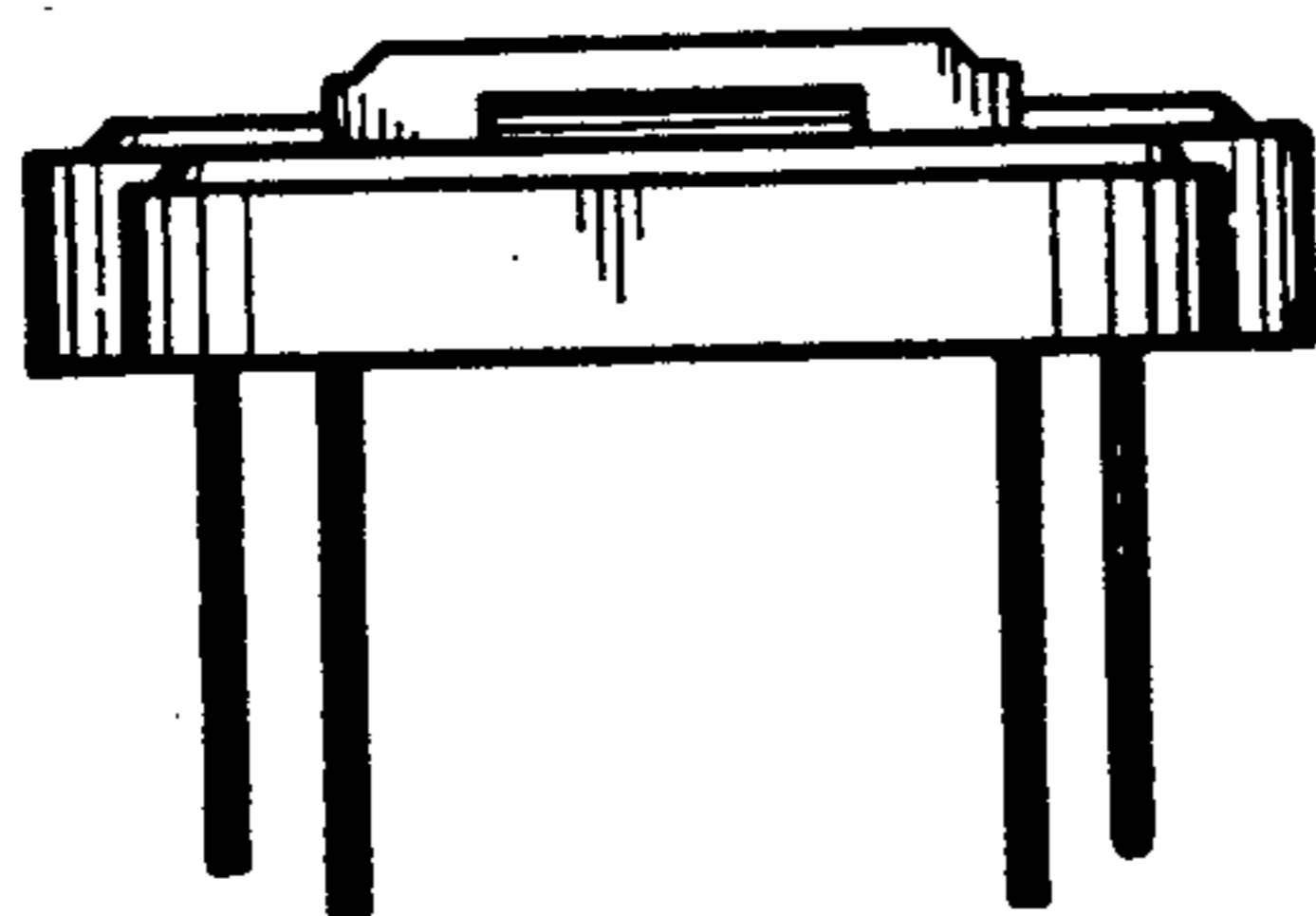


FIG. 6

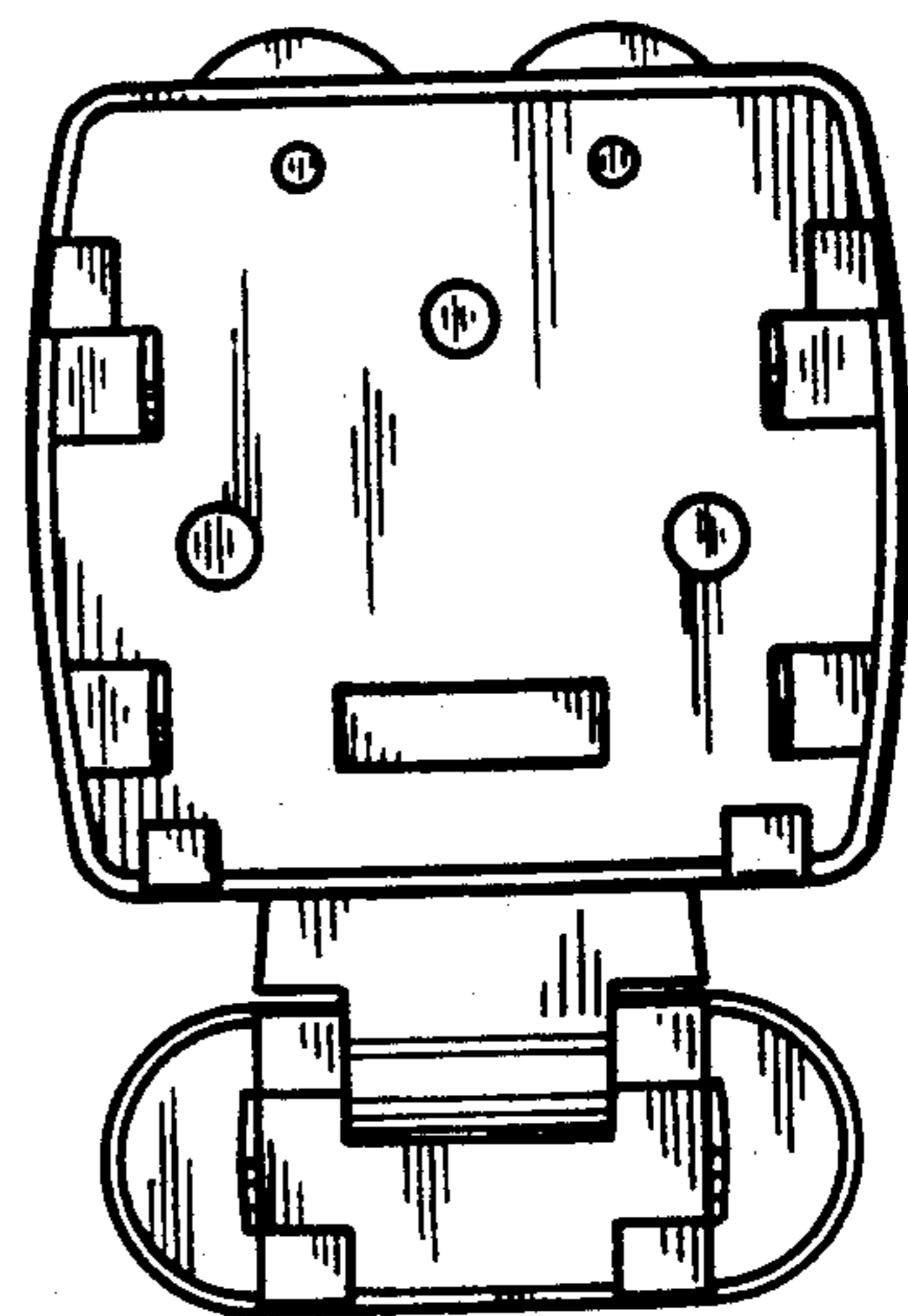


FIG. 4