



US00D324808S

United States Patent [19]

[11] Patent Number: **Des. 324,808**

Gisiger

[45] Date of Patent: **** Mar. 24, 1992**

[54] **LUGGAGE LOCK**

[76] Inventor: **Urs Gisiger**, Schulhausstrasse 19,
2545 Selzach, Switzerland

[**] Term: **14 Years**

[21] Appl. No.: **562,133**

[22] Filed: **Aug. 2, 1990**

[52] U.S. Cl. **D8/331**

[58] Field of Search **D8/330-346;**
70/57-58, 64, 66-72, 74-75, 286-288, 306, 312,
316, 330, 332, DIG. 26; 292/DIG. 48, DIG. 49

[56] **References Cited**

U.S. PATENT DOCUMENTS

D. 276,130	10/1984	Gisiger	D8/330
D. 283,005	3/1986	Gisiger	D8/331
D. 291,772	9/1987	Gisiger	D8/331
D. 291,774	9/1987	Gisiger	D8/341
1,612,315	12/1926	Ramanauskus	70/67 X
2,819,604	1/1958	Levine	70/74

4,100,775	7/1978	Bako	70/70 X
4,343,162	8/1982	Giacometti	70/67
4,719,777	1/1988	Hwang	70/288 X

OTHER PUBLICATIONS

Prestolock Cat. (1963) p. 13-Surface lock.

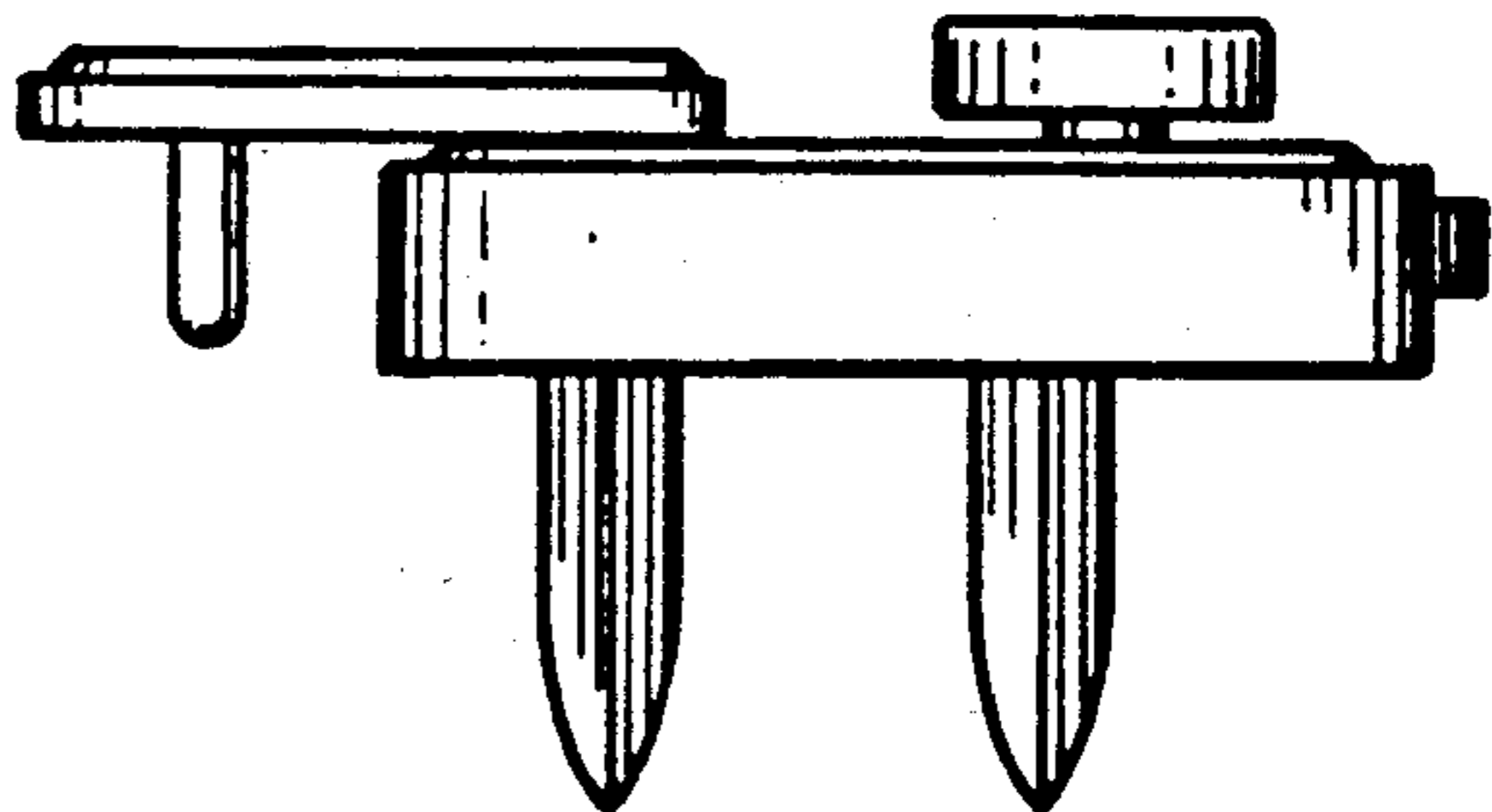
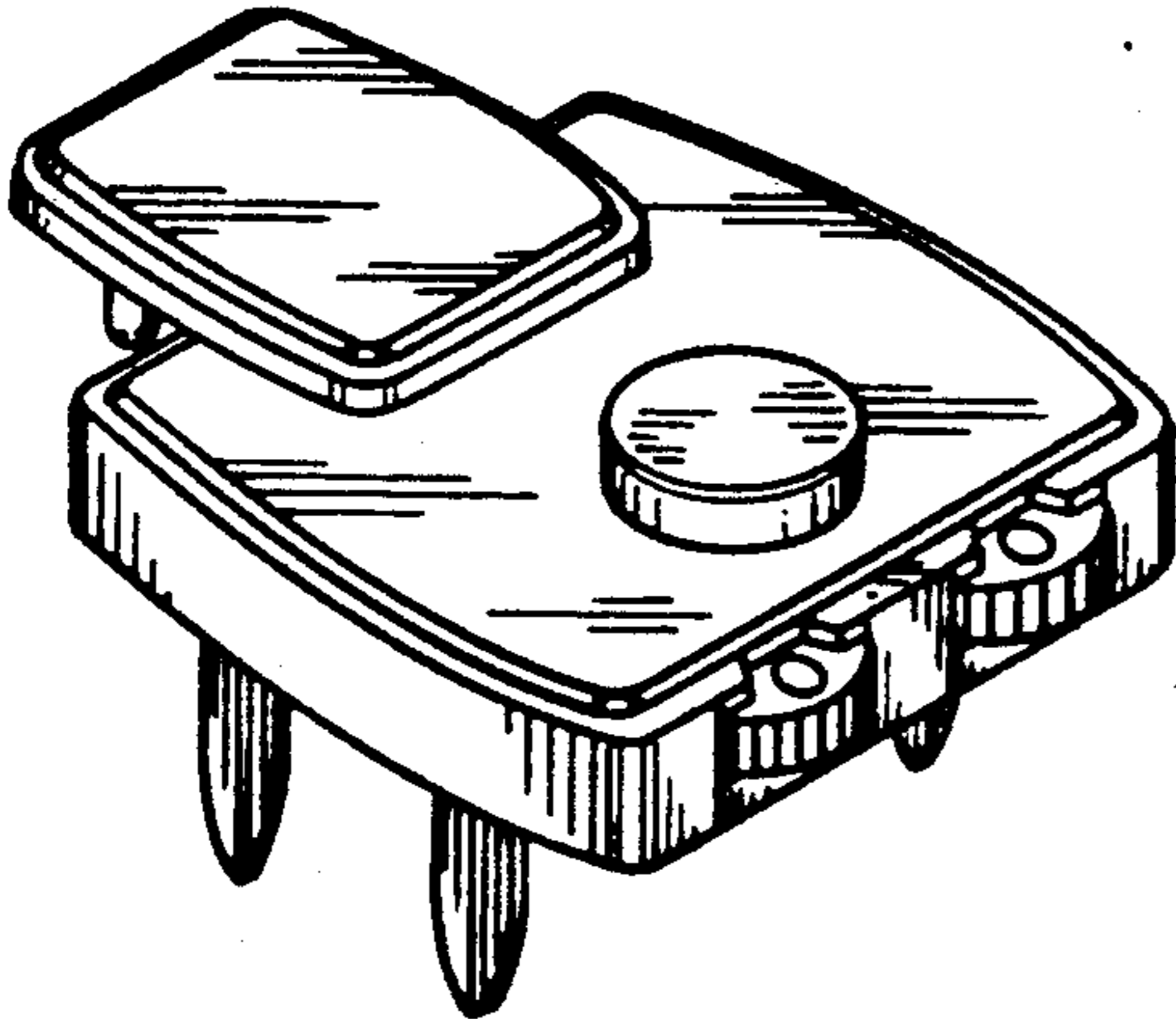
Primary Examiner—Brian N. Vinson

[57] CLAIM

The ornamental design for a luggage lock, as shown and described.

DESCRIPTION

FIG. 1 is a top, front, and left side perspective view of a luggage lock showing my new design;
FIG. 2 is a top plan view thereof;
FIG. 3 is a front elevational view thereof;
FIG. 4 is a bottom plan view thereof;
FIG. 5 is a left side elevational view thereof, the right side being a mirror image of that shown; and,
FIG. 6 is a rear elevational view thereof.



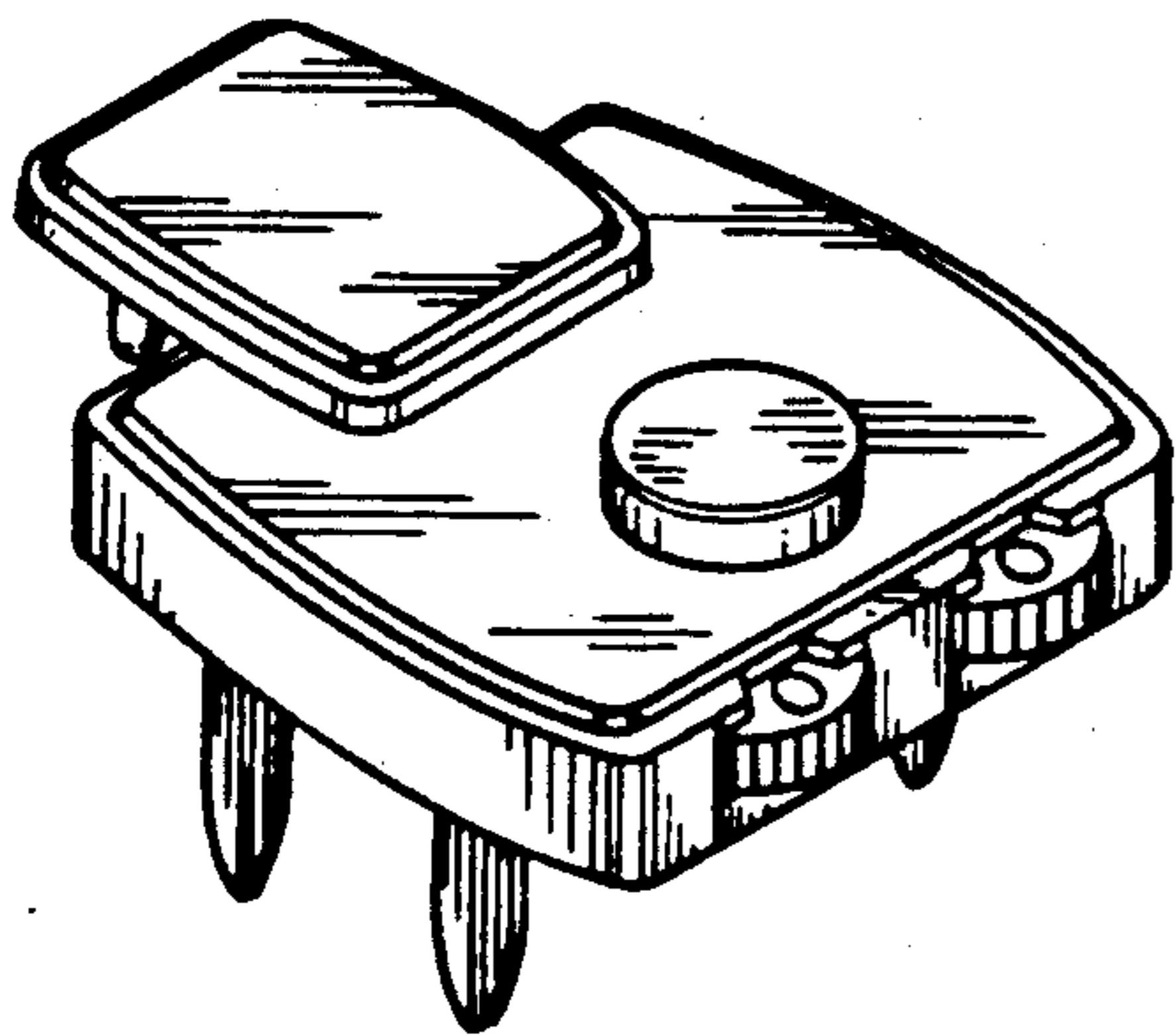


FIG. 1

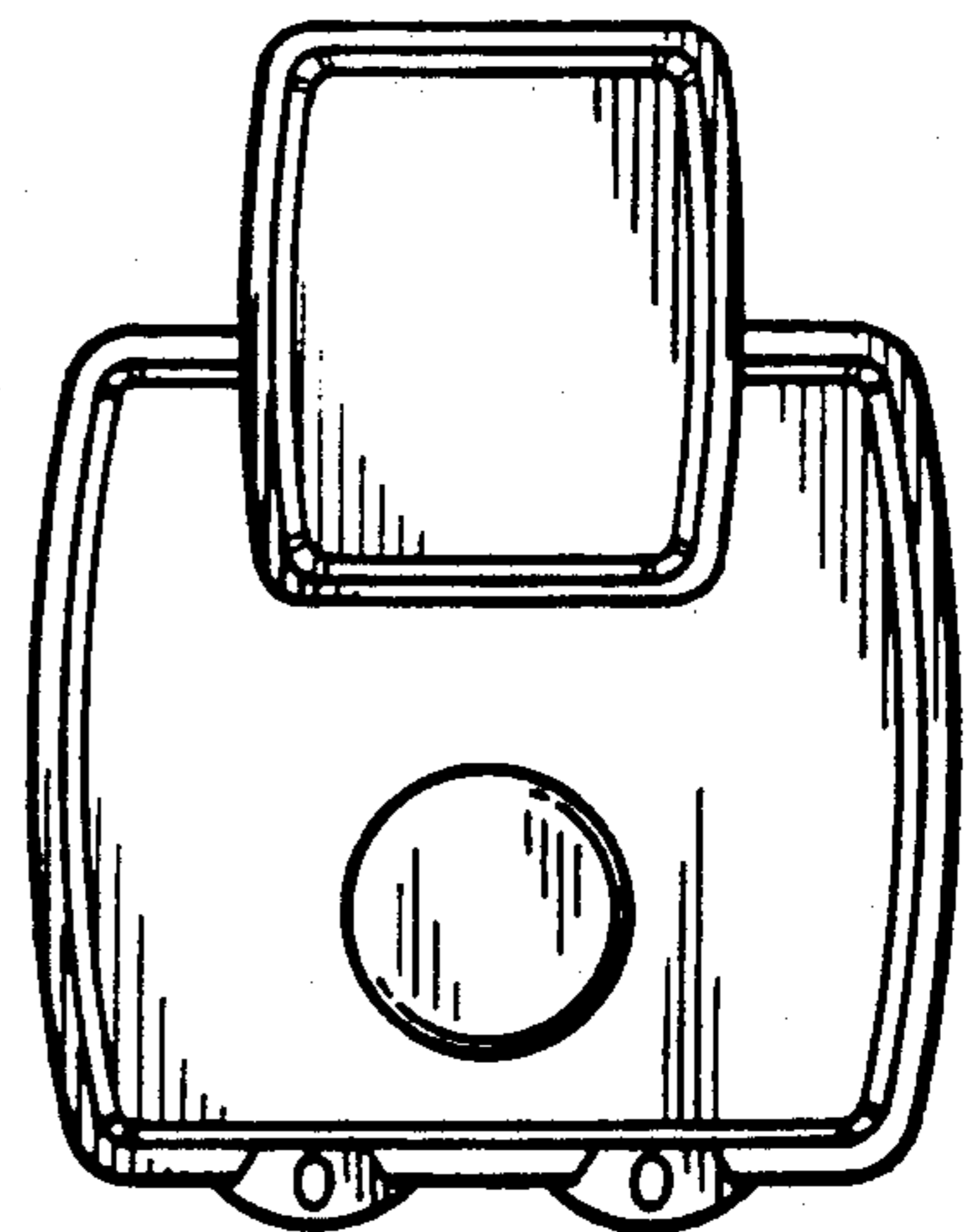


FIG. 2

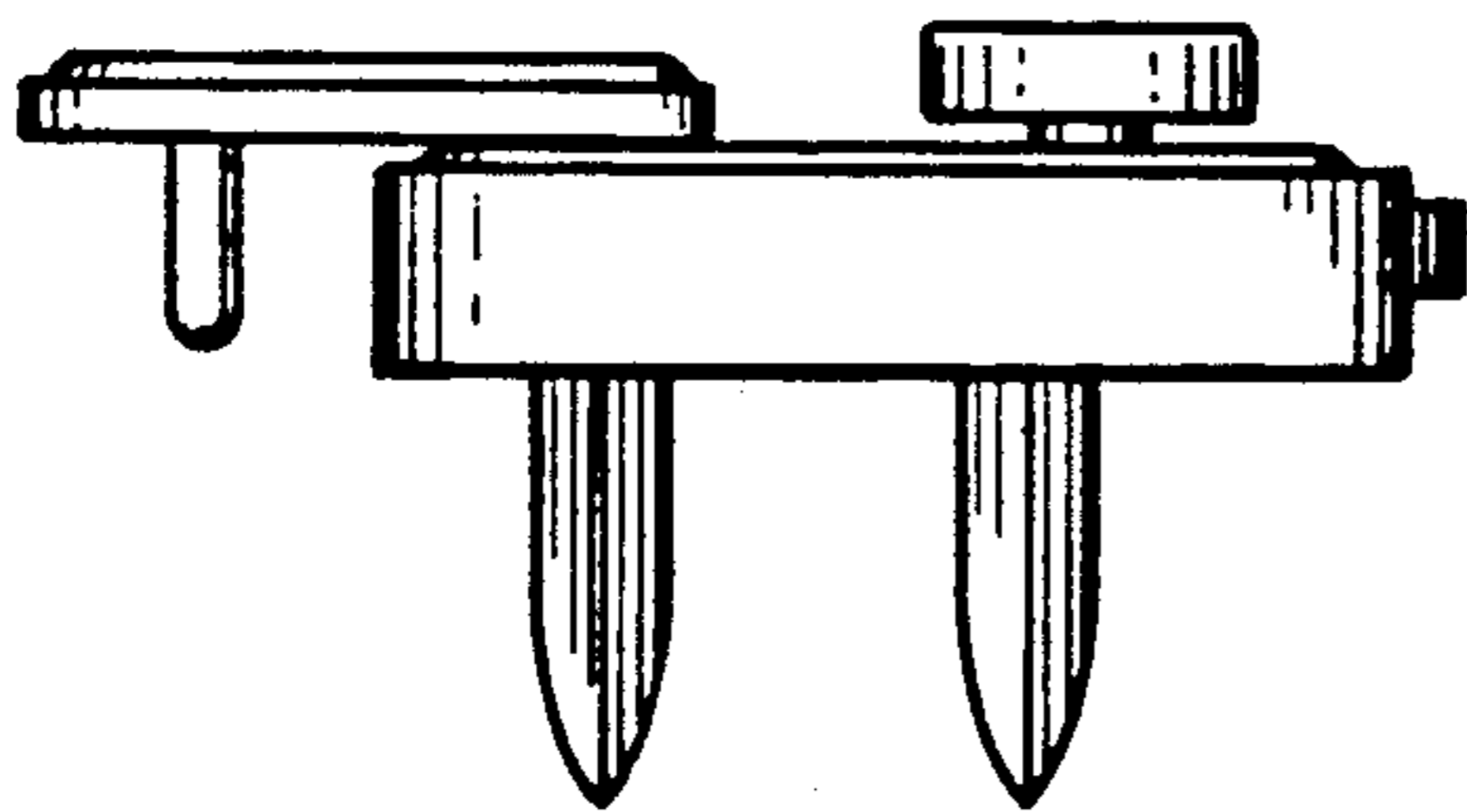


FIG. 5

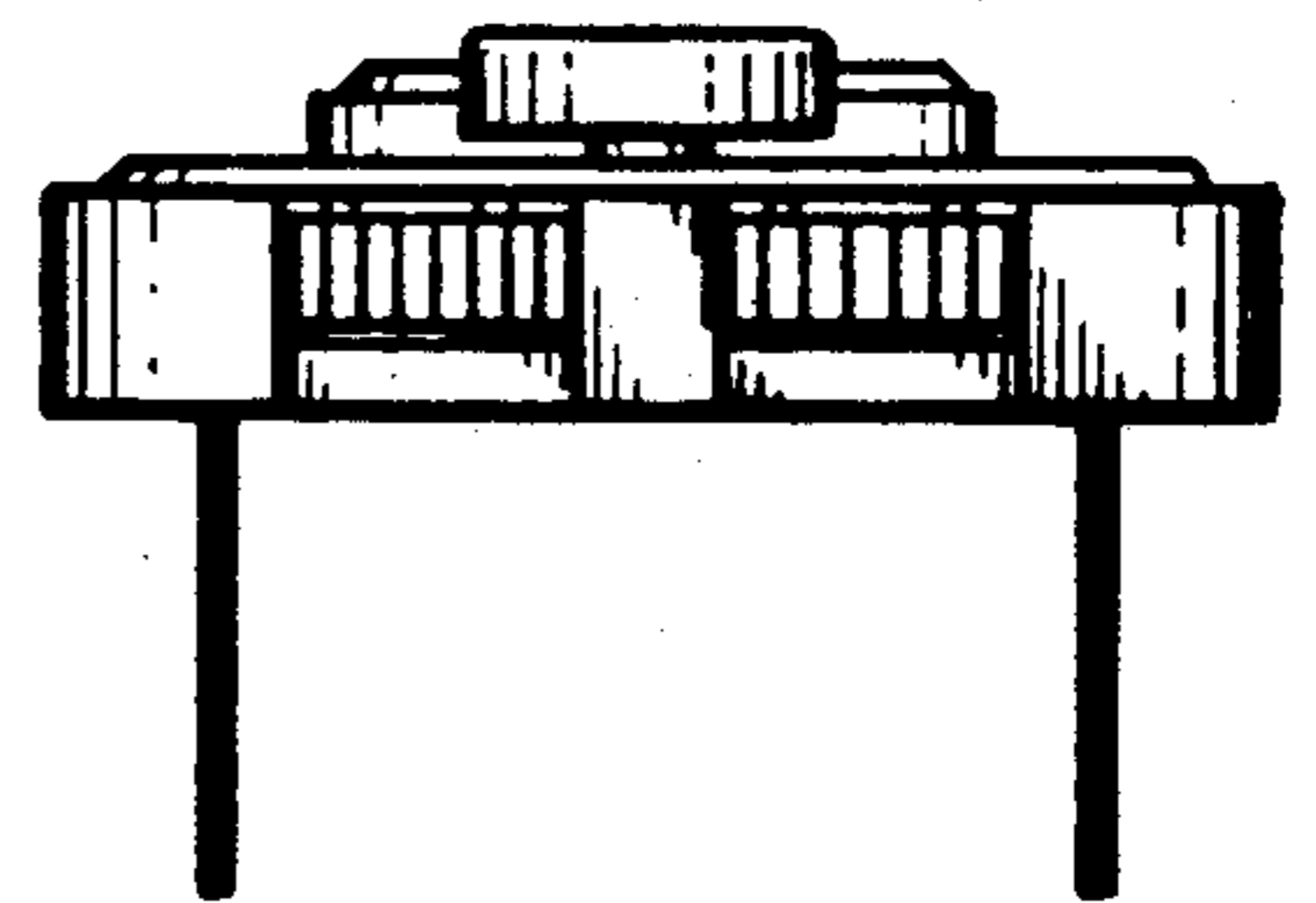


FIG. 3

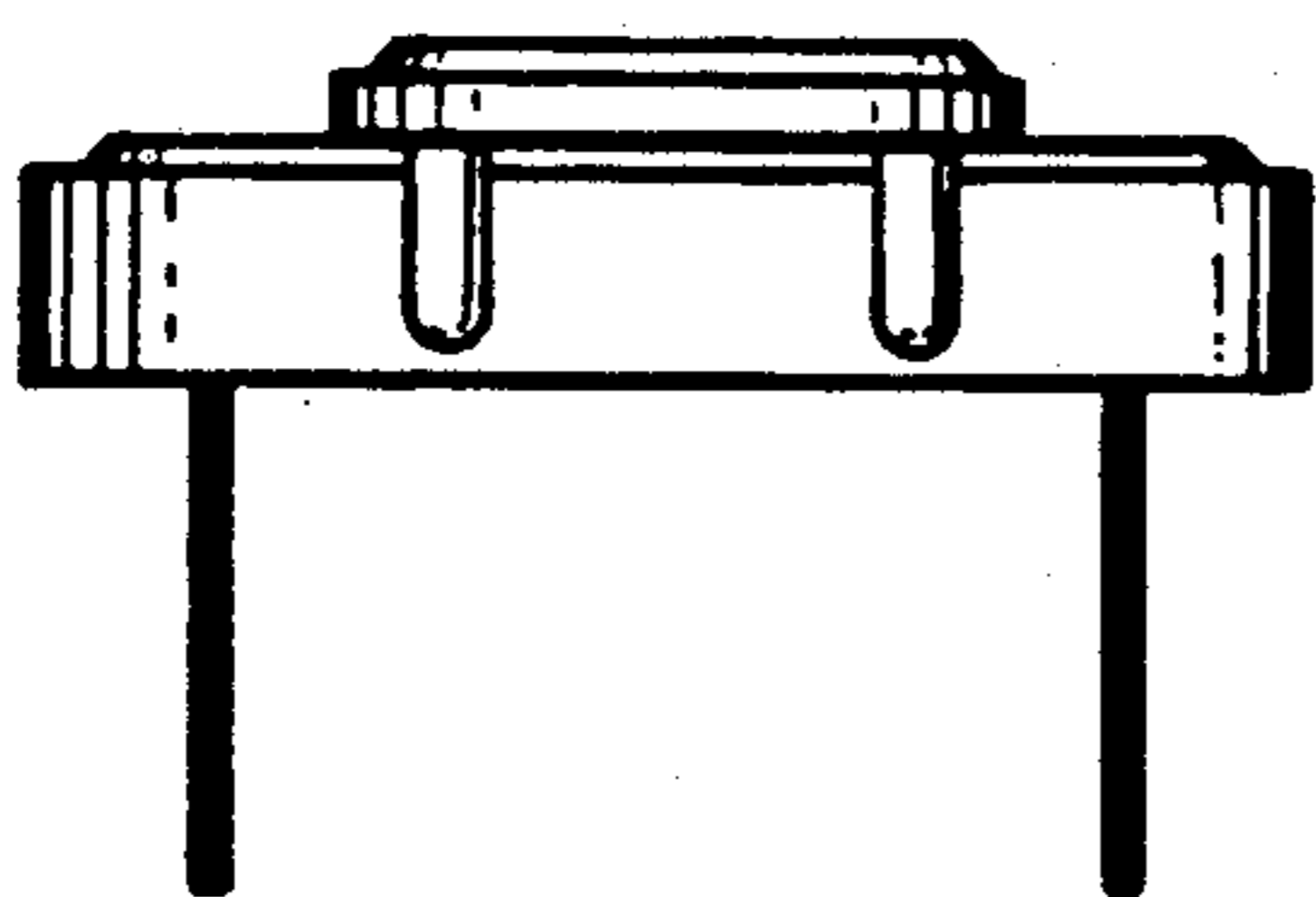


FIG. 6

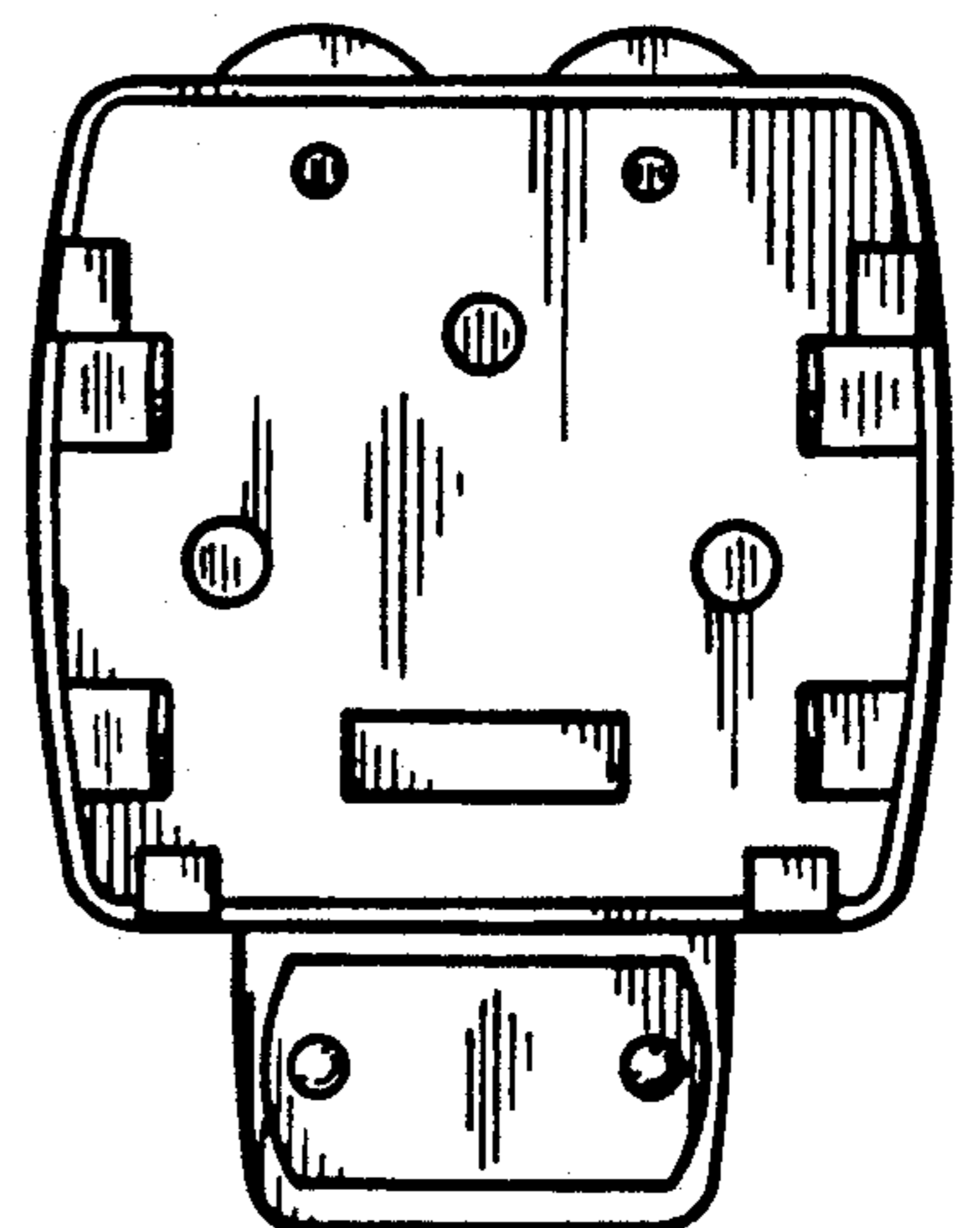


FIG. 4