



US00D324805S

United States Patent [19]

[11] Patent Number: **Des. 324,805**

Pease

[45] Date of Patent: **** Mar. 24, 1992**

[54] **AUTOMOTIVE EMERGENCY TOOL**

4,030,150	6/1977	Fisher	7/145
4,546,510	10/1985	Harrison	D8/105
4,592,467	6/1986	Lechner	206/349
4,924,544	5/1990	Culotta	7/138

[75] Inventor: **Robert L. Pease, Scarsdale, N.Y.**

[73] Assignee: **U.S. International Trade and Marketing Services, Ltd., Scarsdale, N.Y.**

Primary Examiner—Theodore M. Shooman
Assistant Examiner—Philip Hyder
Attorney, Agent, or Firm—Pennie & Edmonds

[**] Term: **14 Years**

[57] **CLAIM**

[21] Appl. No.: **479,545**

The ornamental design for an automotive emergency tool, as shown and described.

[22] Filed: **Feb. 12, 1990**

[52] U.S. Cl. **D8/105; D8/107**

[58] Field of Search **D8/105, 98, 82; D32/46; 7/138, 142, 143, 144, 158, 165**

DESCRIPTION

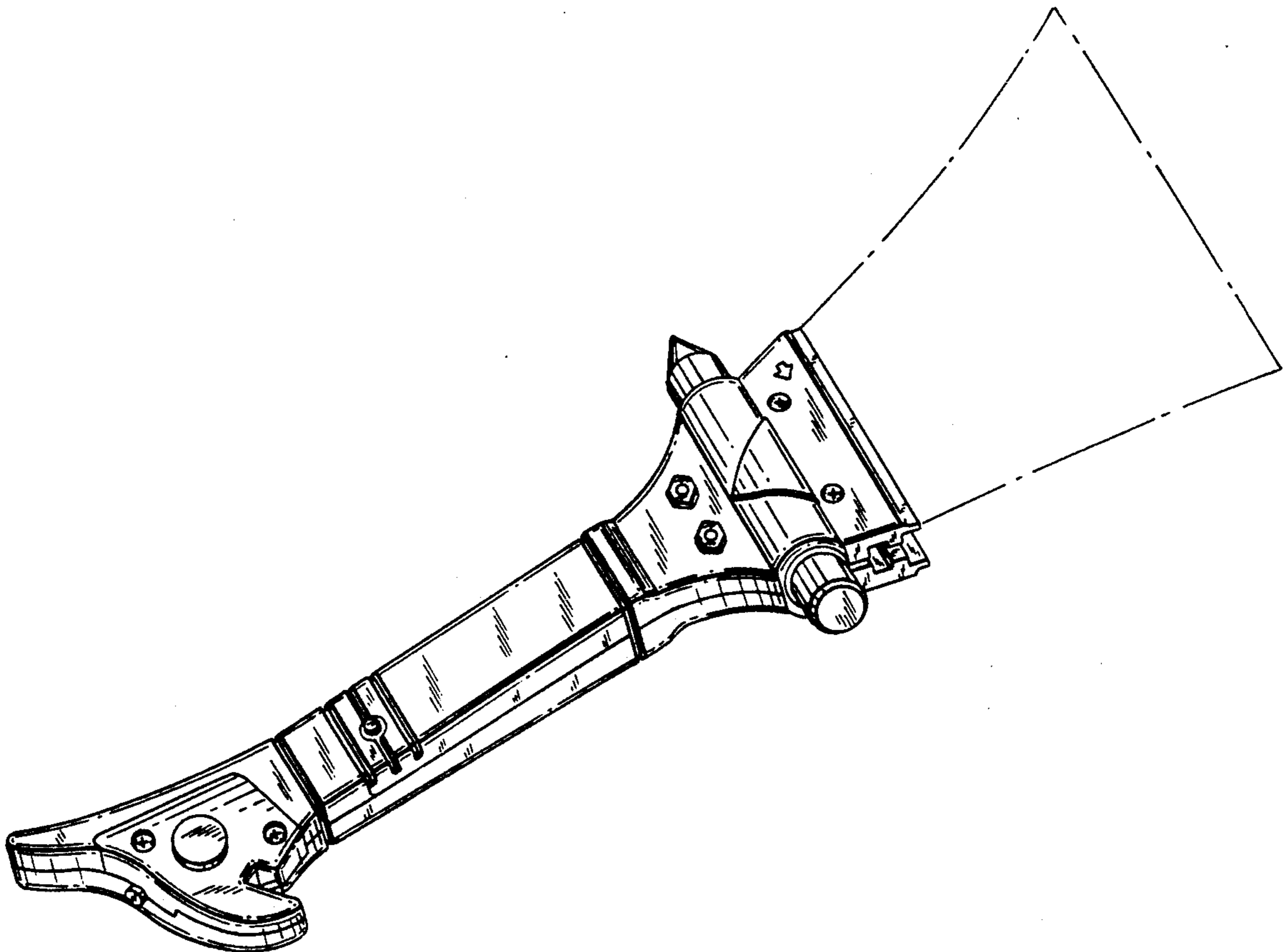
[56] **References Cited**

U.S. PATENT DOCUMENTS

D. 28,738	5/1898	Hamlin	D8/105
D. 290,334	6/1987	Reynolds, Jr.	D8/105
D. 299,414	1/1989	Bajza et al.	D8/105
1,598,420	8/1926	Brossett	7/144
3,599,255	8/1971	Carroll	7/138
3,604,028	9/1971	Wardwell	D8/105

FIG. 1 is a perspective view of an automotive emergency tool showing my new design;
FIG. 2 is a top plan view thereof;
FIG. 3 is a front elevational view thereof;
FIG. 4 is a bottom plan view thereof;
FIG. 5 is a rear elevational view thereof;
FIG. 6 is a right-side elevational view thereof; and,
FIG. 7 is a left-side elevational view thereof.

The broken line showing of the ice scraper is for illustrative purposes only and forms no part of the claimed design.



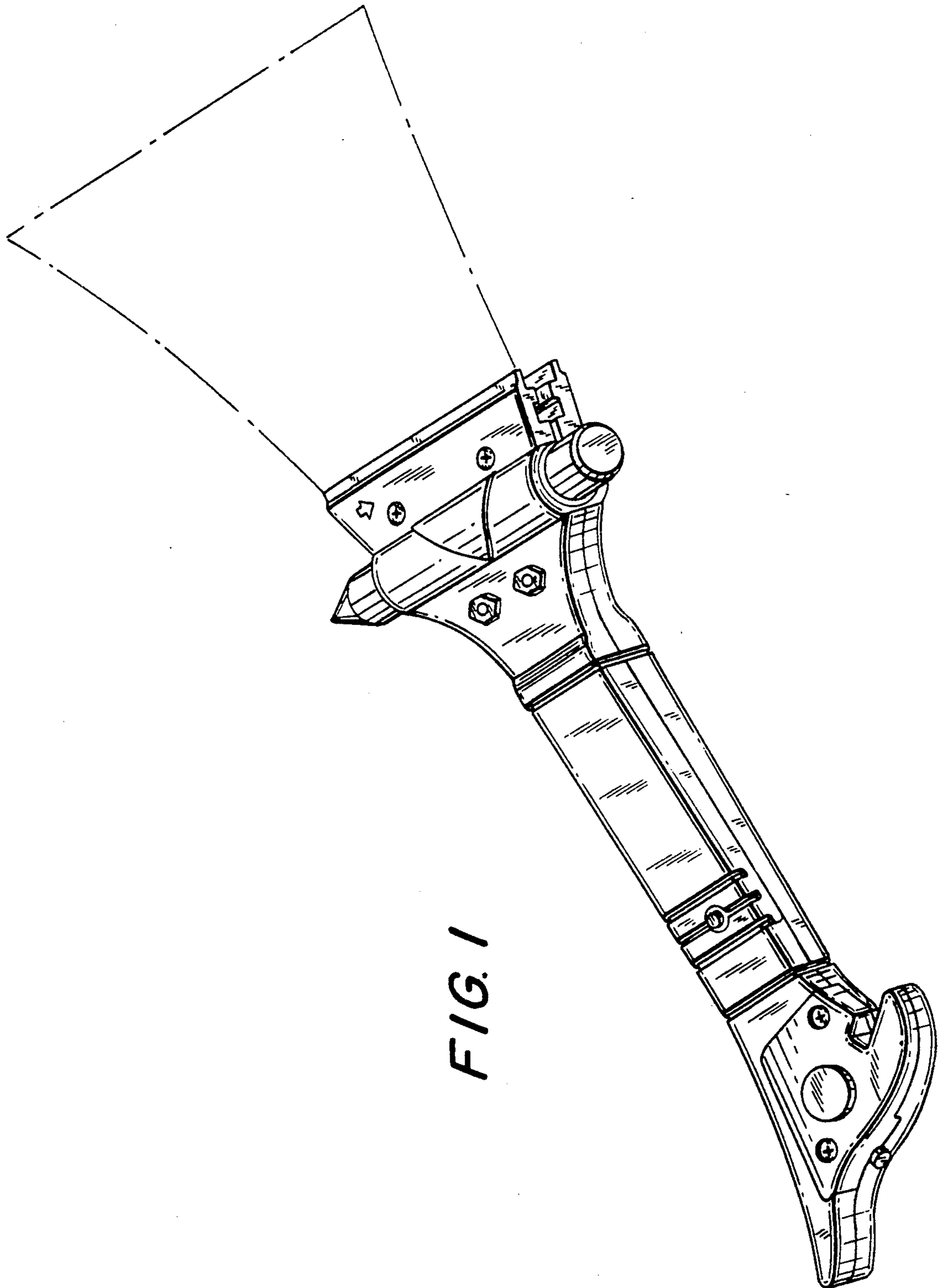


FIG. 1

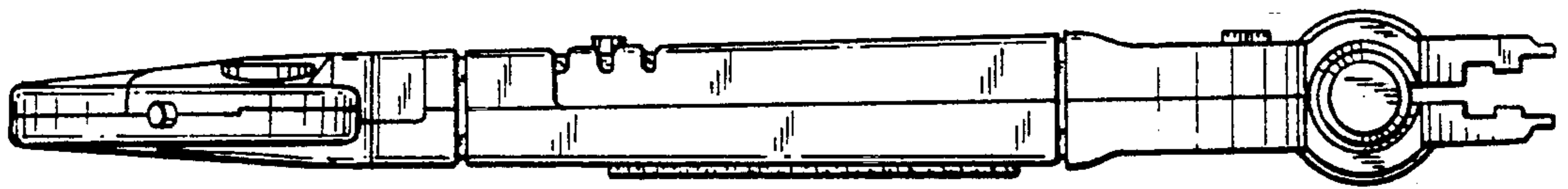
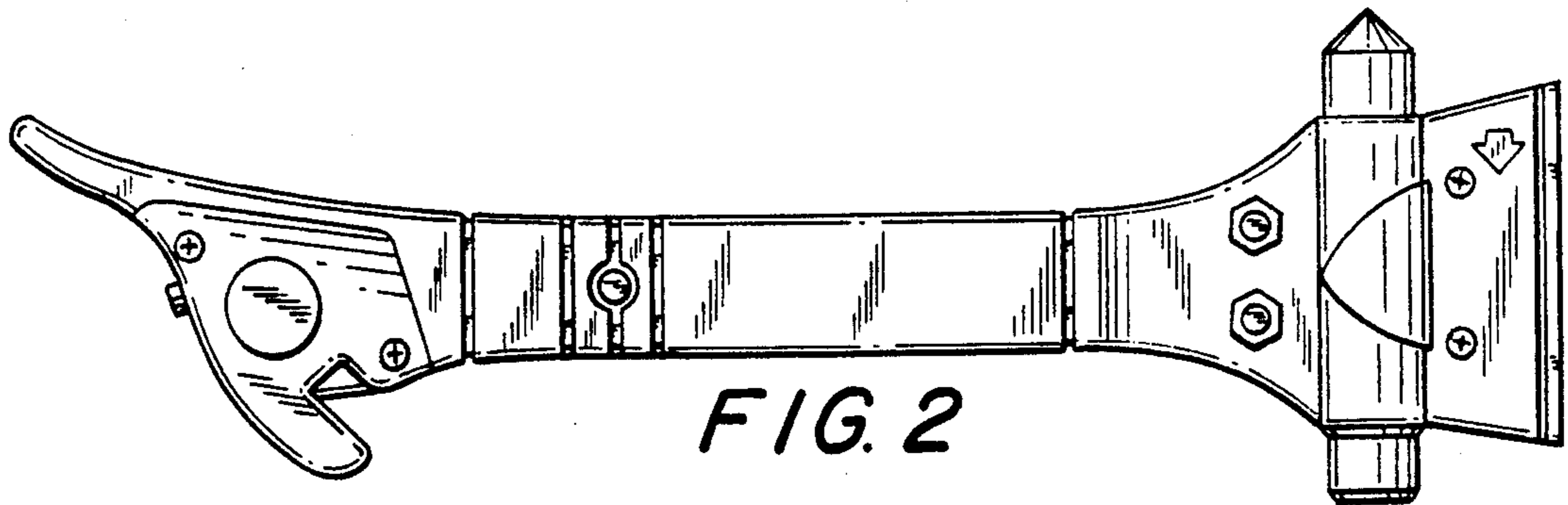


FIG. 3

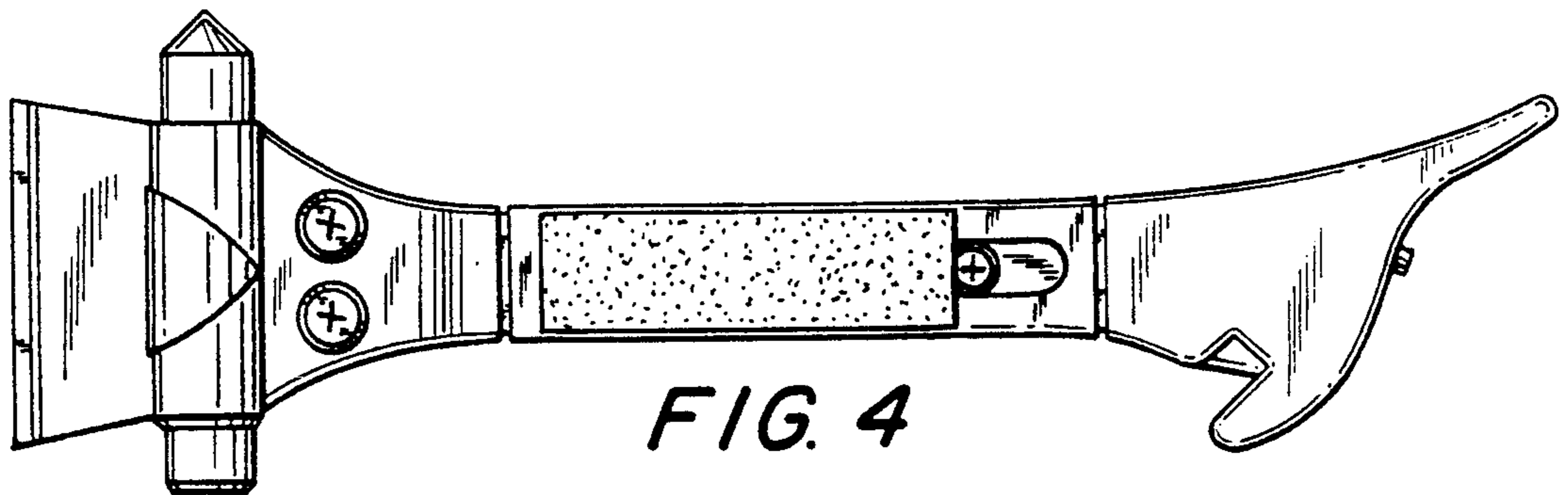


FIG. 4

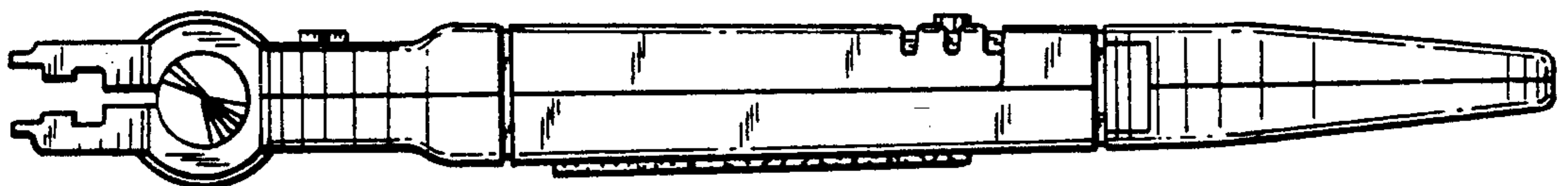


FIG. 5

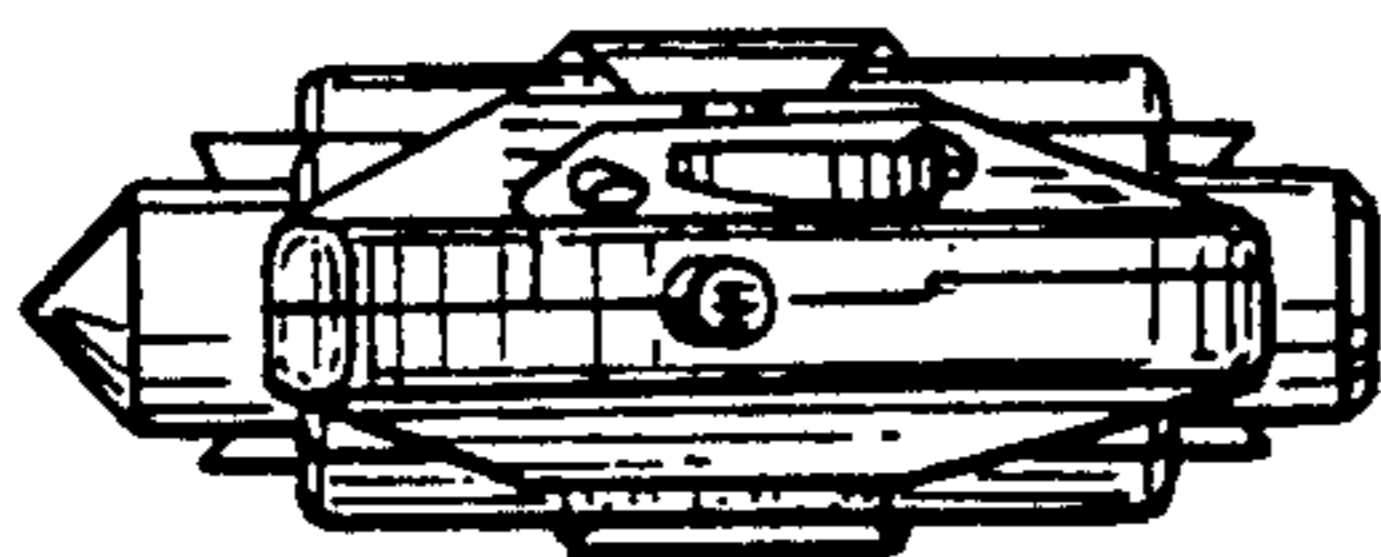


FIG. 6

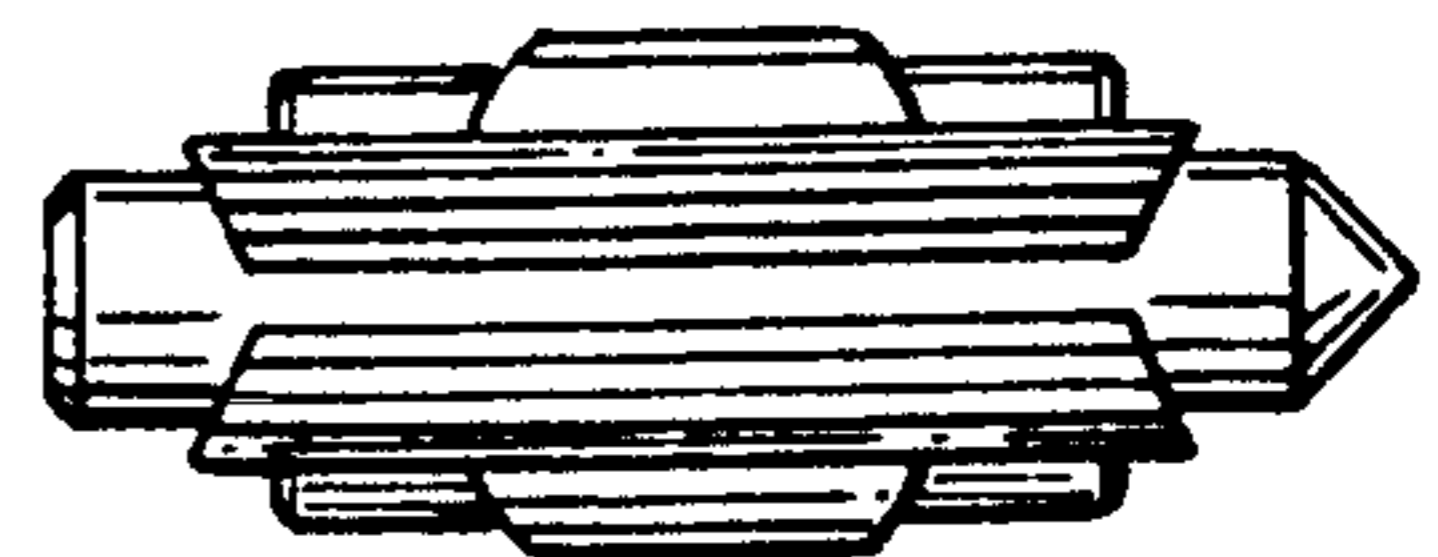


FIG. 7