



US00D324804S

United States Patent [19]

[11] Patent Number: **Des. 324,804**

Hoelterscheidt

[45] Date of Patent: **** Mar. 24, 1992**

[54] **COMBINED KNIFE AND MAGNIFYING GLASS**

[75] Inventor: **Siegfried Hoelterscheidt,**
Hückelhoven, Fed. Rep. of Germany

[73] Assignee: **Walter Henkels GmbH,** Fed. Rep. of Germany

[**] Term: **14 Years**

[21] Appl. No.: **488,796**

[22] Filed: **Mar. 2, 1990**

[30] **Foreign Application Priority Data**

Jan. 8, 1990 [DE] Fed. Rep. of Germany DM/015544

[52] U.S. Cl. **D8/99**

[58] Field of Search D8/14, 98, 99; D16/135;
30/162, 160, 164, 151, 320, 335, 342, 337;
359/808, 809

[56] **References Cited**

U.S. PATENT DOCUMENTS

D. 172,723	7/1954	Polk	D8/99
D. 172,724	7/1954	Polk	D8/99
D. 249,325	9/1978	Rollband	D8/99
D. 264,804	6/1982	Machida	D8/99
D. 269,184	5/1983	Tweedie	D16/135

D. 290,333	6/1987	Pashley	D8/99
2,784,489	3/1957	Reise	30/151
2,788,574	4/1957	Marcmann	30/320
4,005,525	2/1977	Gringer	30/162
4,604,804	8/1986	Sparks	30/162
5,012,581	5/1991	Fletcher et al.	30/162

Primary Examiner—Bernard Ansher
Assistant Examiner—Philip Hyder
Attorney, Agent, or Firm—Diller, Ramik & Wight

[57] **CLAIM**

The ornamental design for a combined knife and magnifying glass, as shown and described.

DESCRIPTION

FIG. 1 is a front elevational view of a combined knife and magnifying glass showing my new design, with the knife and magnifying glass in a retracted position; FIG. 2 is a left side elevational view thereof; FIG. 3 is a rear elevational view thereof; FIG. 4 is a right side elevational view thereof; FIG. 5 is a top plan view thereof; FIG. 6 is a bottom plan view thereof; FIG. 7 is a perspective view thereof; FIG. 8 is a perspective view thereof, with magnifying glass in an extended position; and, FIG. 9 is a perspective view thereof, with the knife in an extended position.

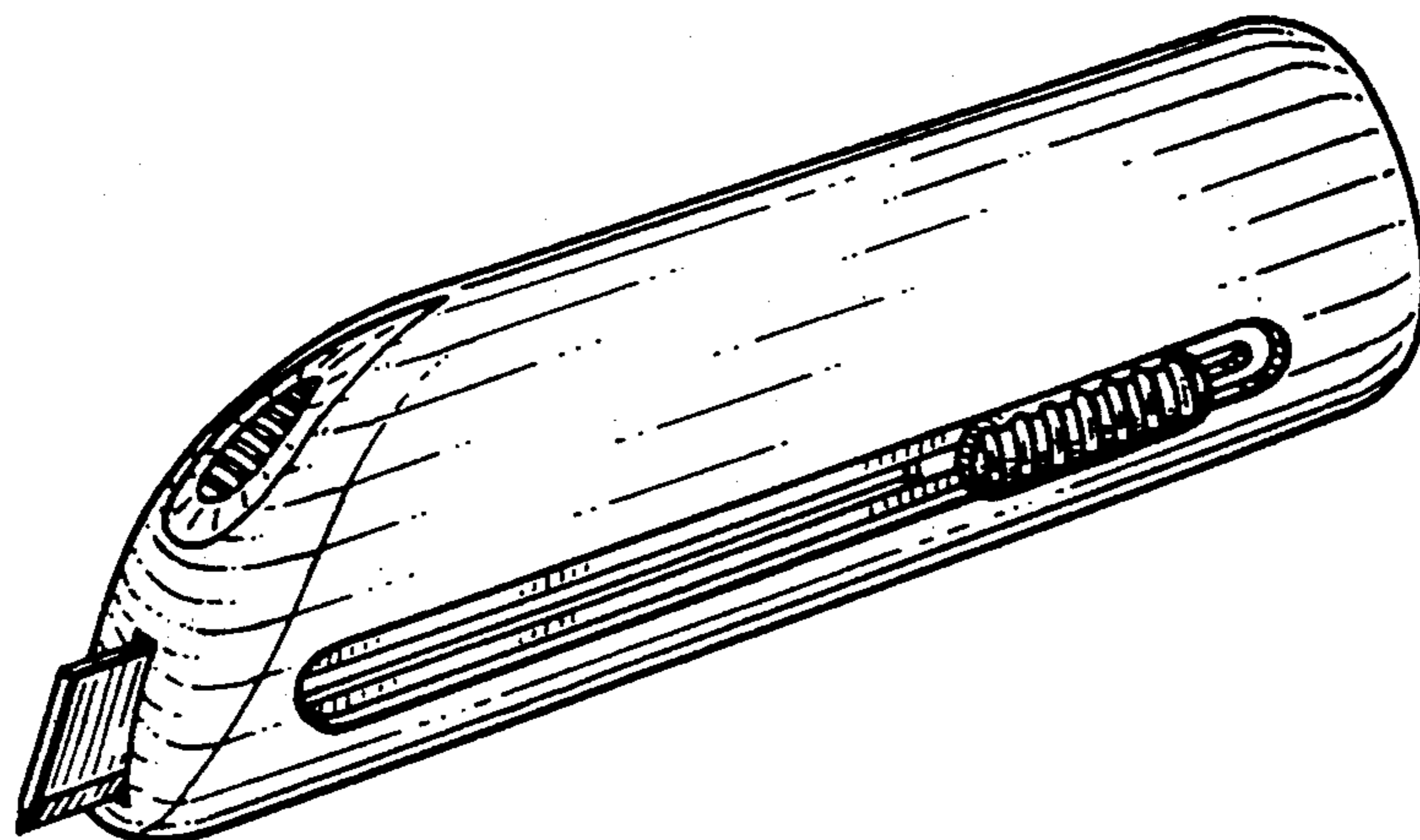
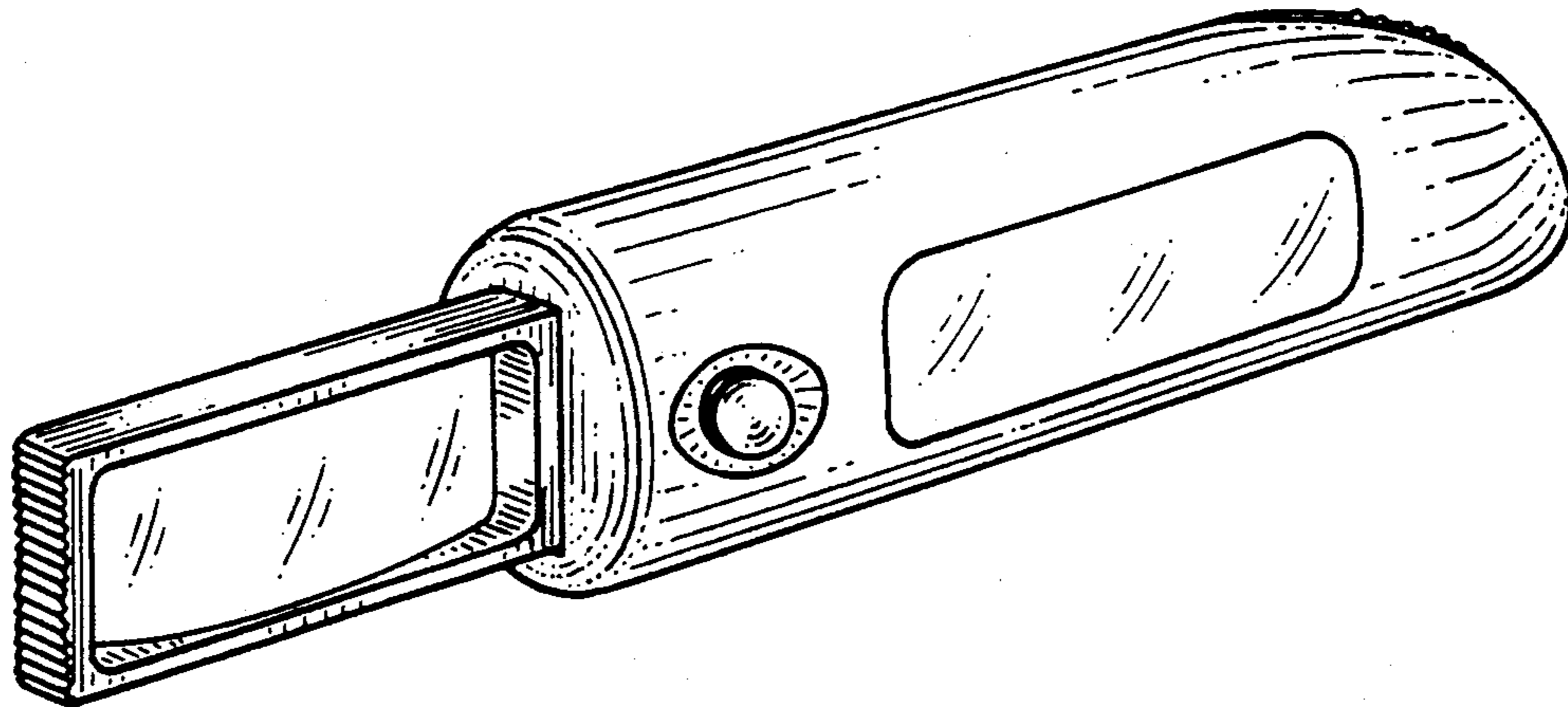


FIG.1

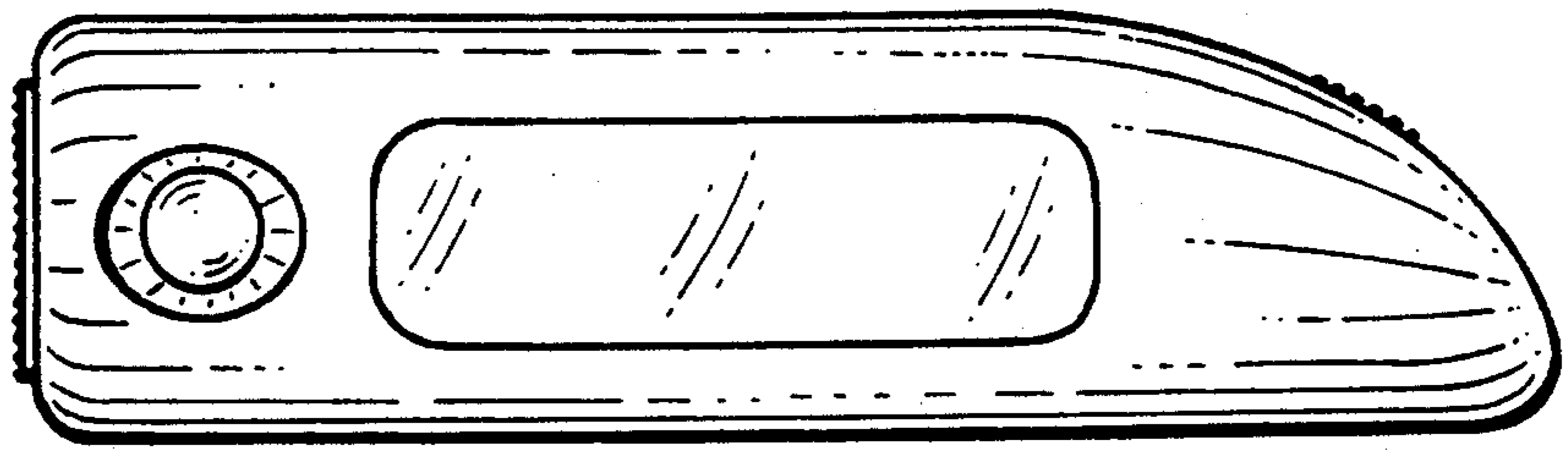


FIG.3

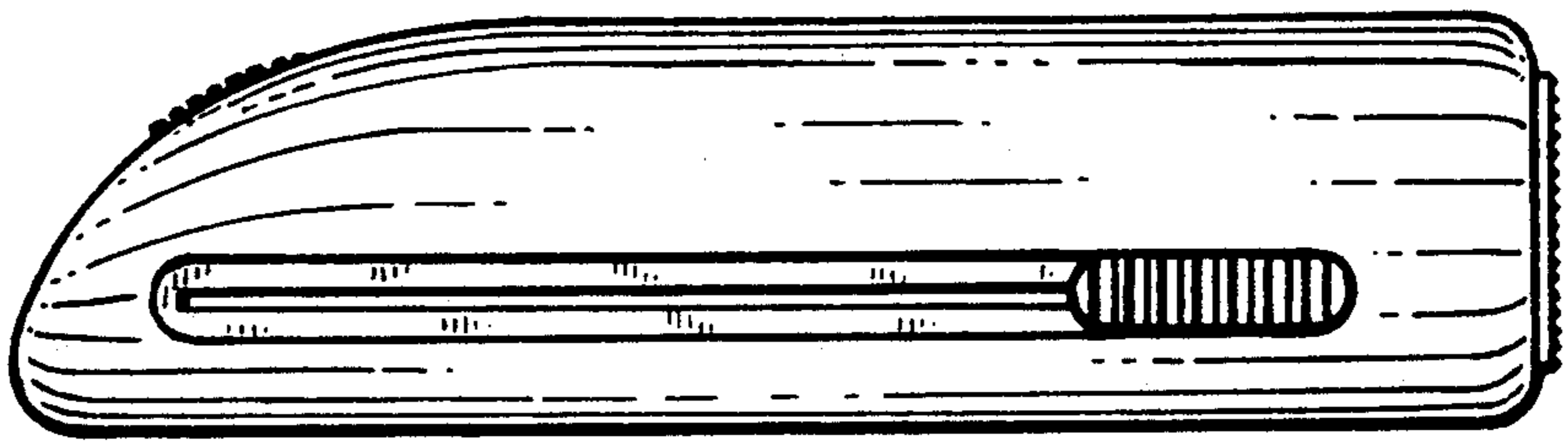


FIG.5

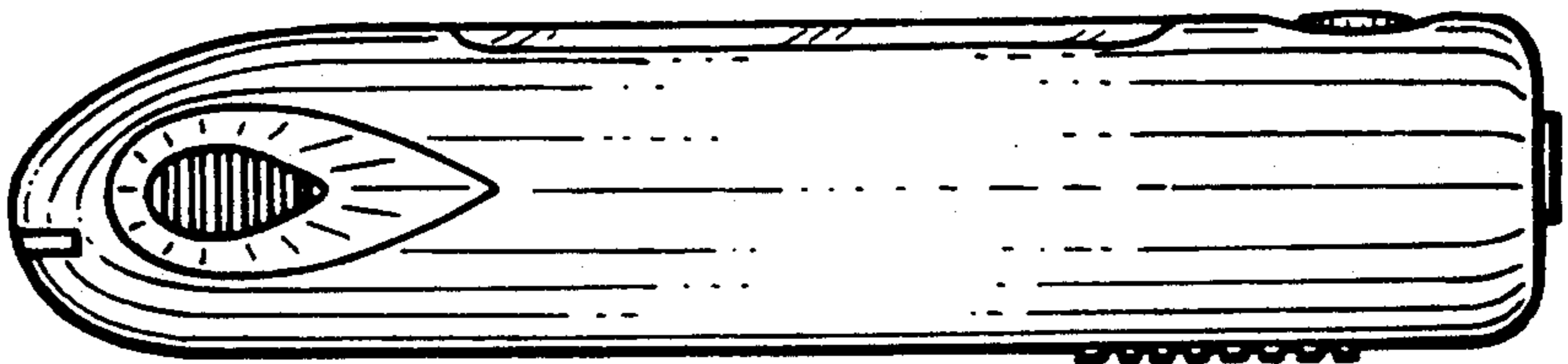


FIG.6

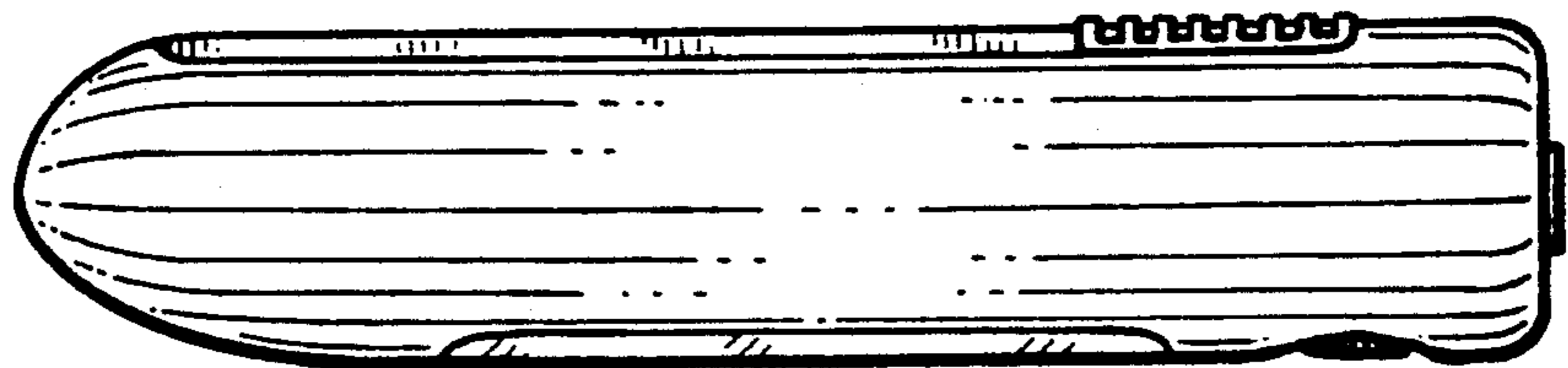


FIG.4

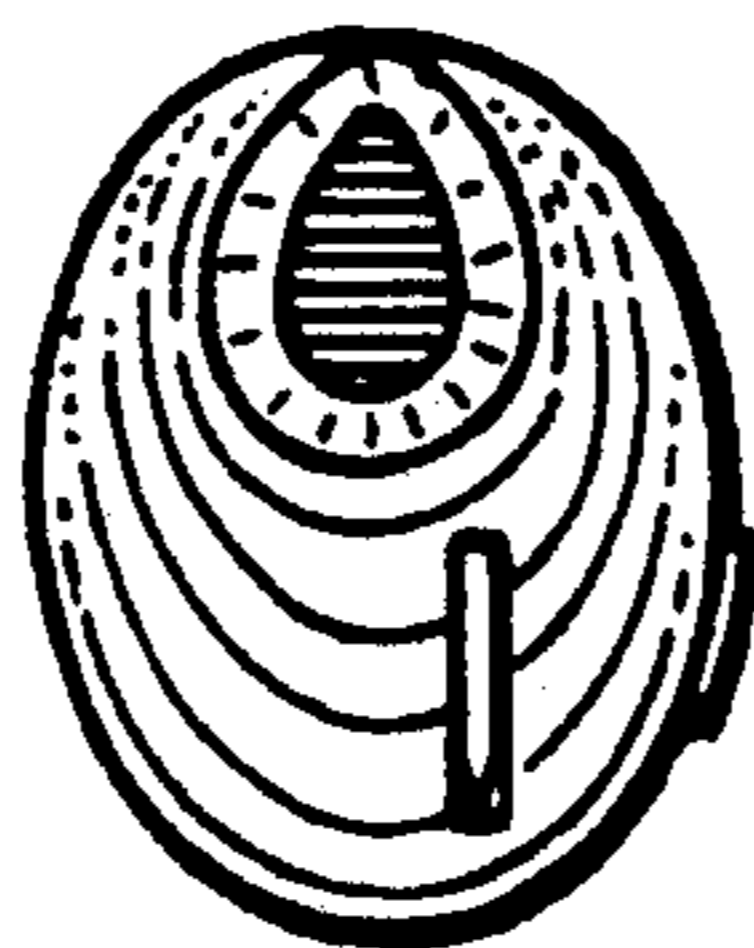


FIG.2

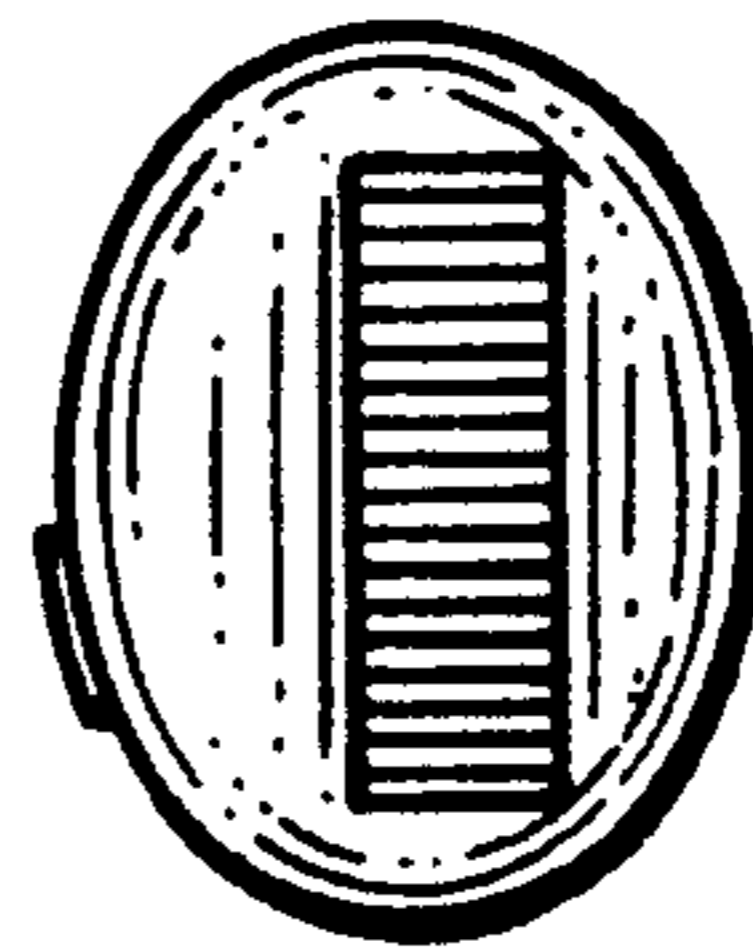


FIG.7

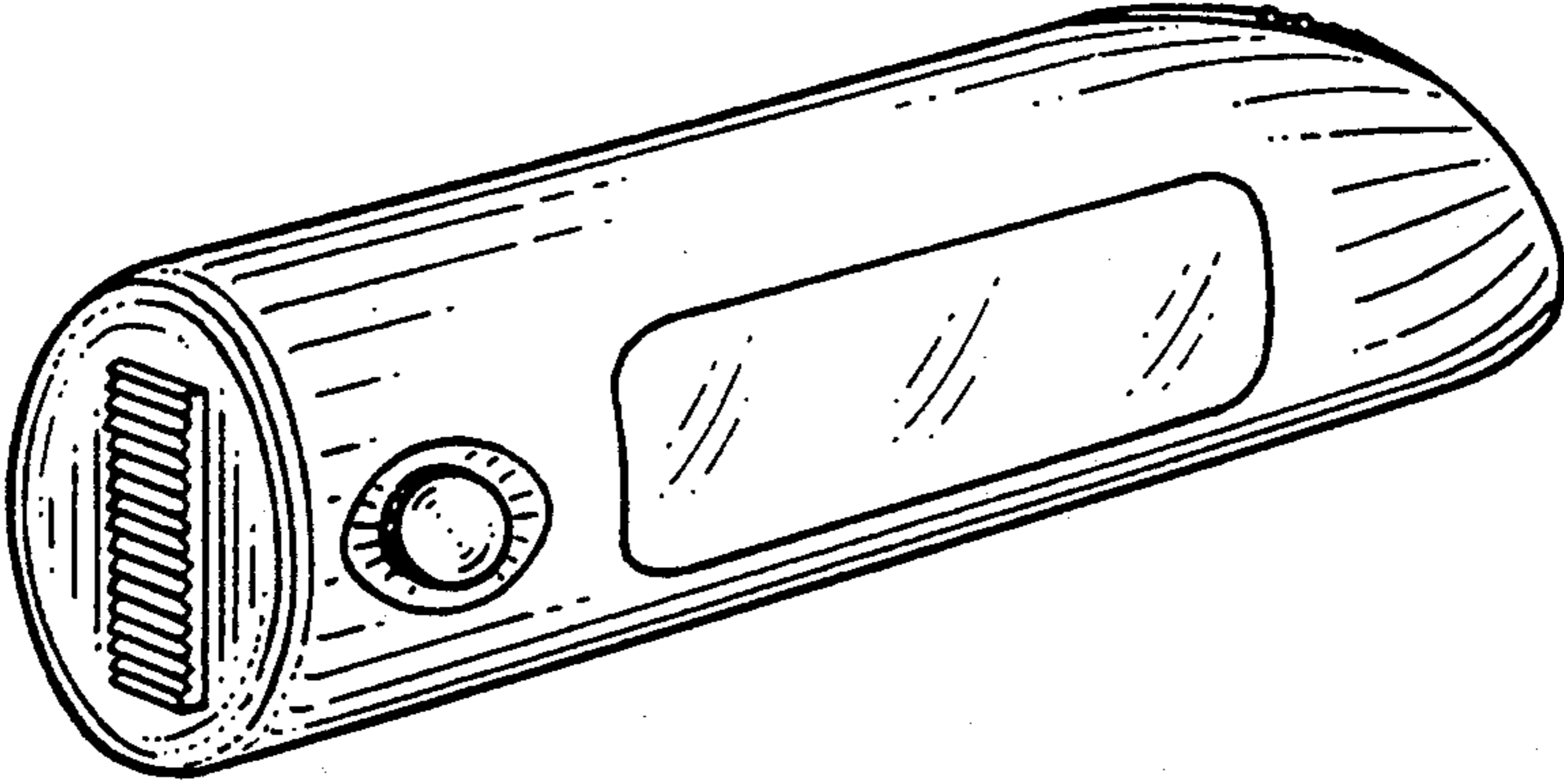


FIG.8

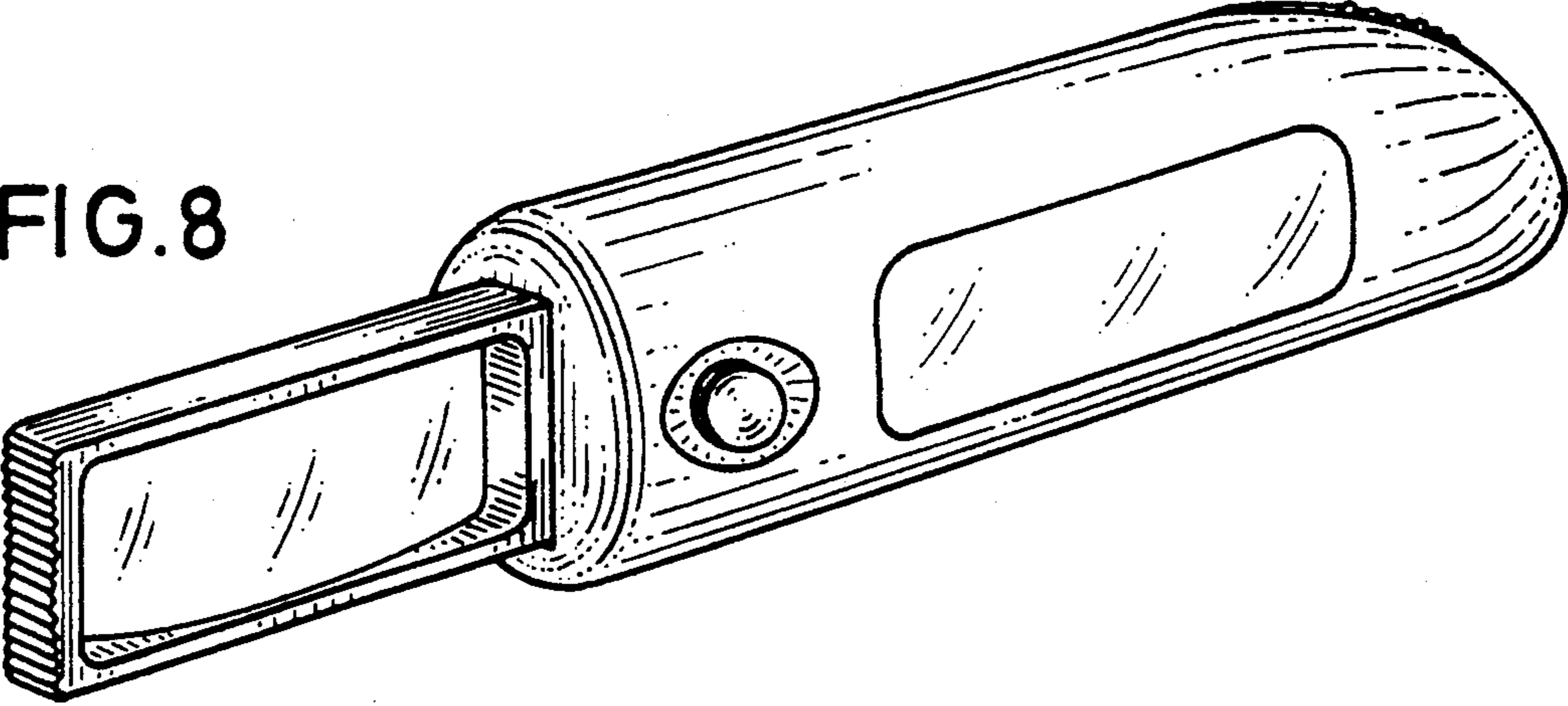


FIG.9

