



US00D324802S

# United States Patent [19]

Caskey et al.

[11] Patent Number: Des. 324,802

[45] Date of Patent: \*\* Mar. 24, 1992

## [54] IMPACT WRENCH

[75] Inventors: **Richard V. Caskey**, Racine; **Daniel R. Bullis, Jr.**; **Lawrence J. Fenske**, both of Madison, all of Wis.

[73] Assignee: **Snap-On Tools Corporation**, Kenosha, Wis.

[\*\*] Term: **14 Years**

[21] Appl. No.: **384,470**

[22] Filed: **Jul. 25, 1989**

[52] U.S. Cl. .... **D8/68**

[58] Field of Search ..... **D8/61, 62, 68; 81/54, 81/57.11, 57.14; 173/163; 408/124**

## [56] References Cited

### U.S. PATENT DOCUMENTS

D. 256,980	9/1980	Adams et al. ....	D8/68
D. 288,769	3/1987	Doman .....	D8/68
D. 288,770	3/1987	Doman .....	D8/68
D. 315,855	4/1991	Fushiya et al. ....	D8/68

## OTHER PUBLICATIONS

1990 Snap-on catalog (Jun. 1989, p. 199).  
Automotive Tool catalog, pp. 25, 26.  
Impact Wrench Model AT325B, Model AT500B and Model AT50B.

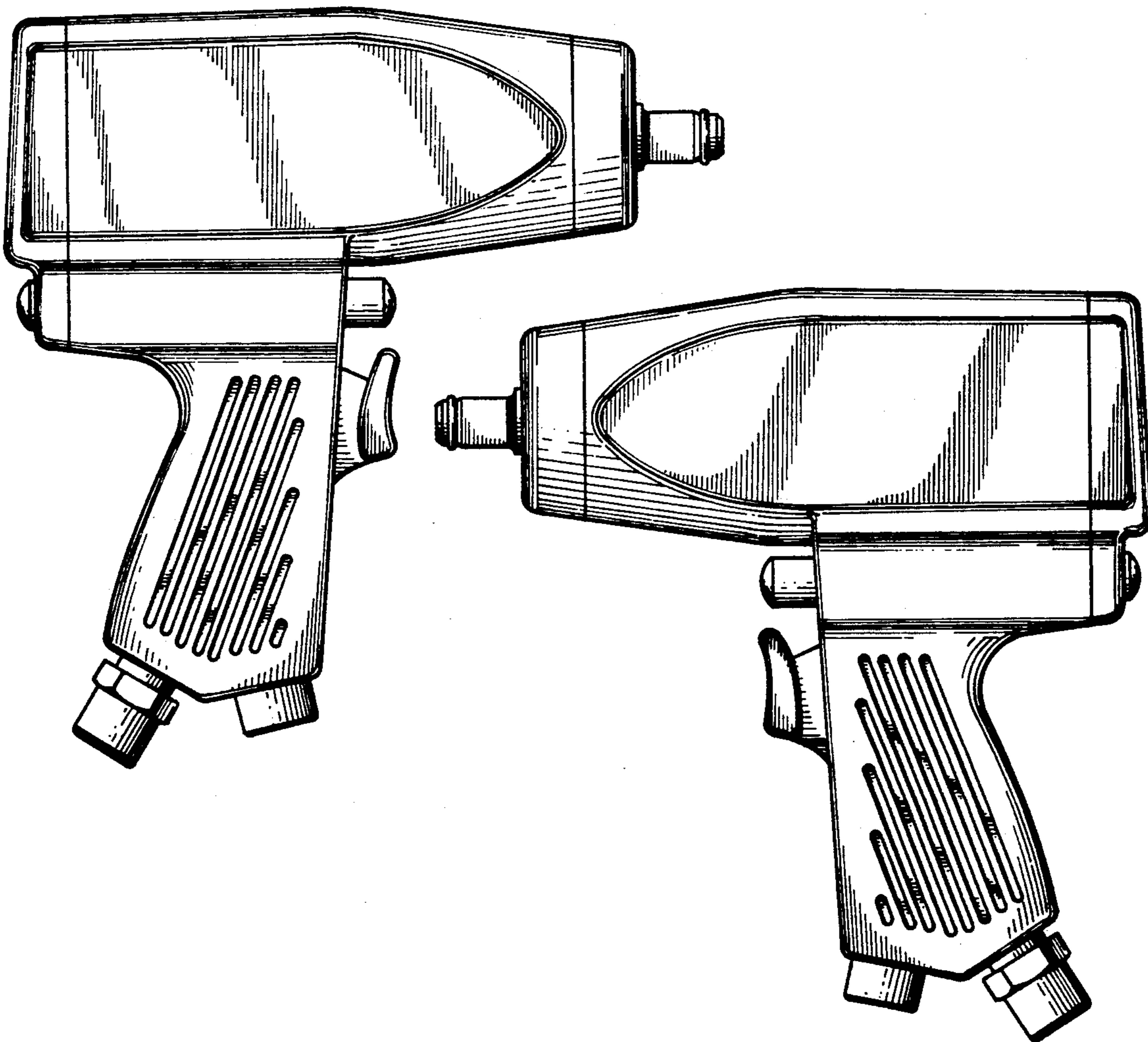
*Primary Examiner*—Nelson C. Holtje  
*Assistant Examiner*—J. H. Musgrove  
*Attorney, Agent, or Firm*—Emrich & Dithmar

## [57] CLAIM

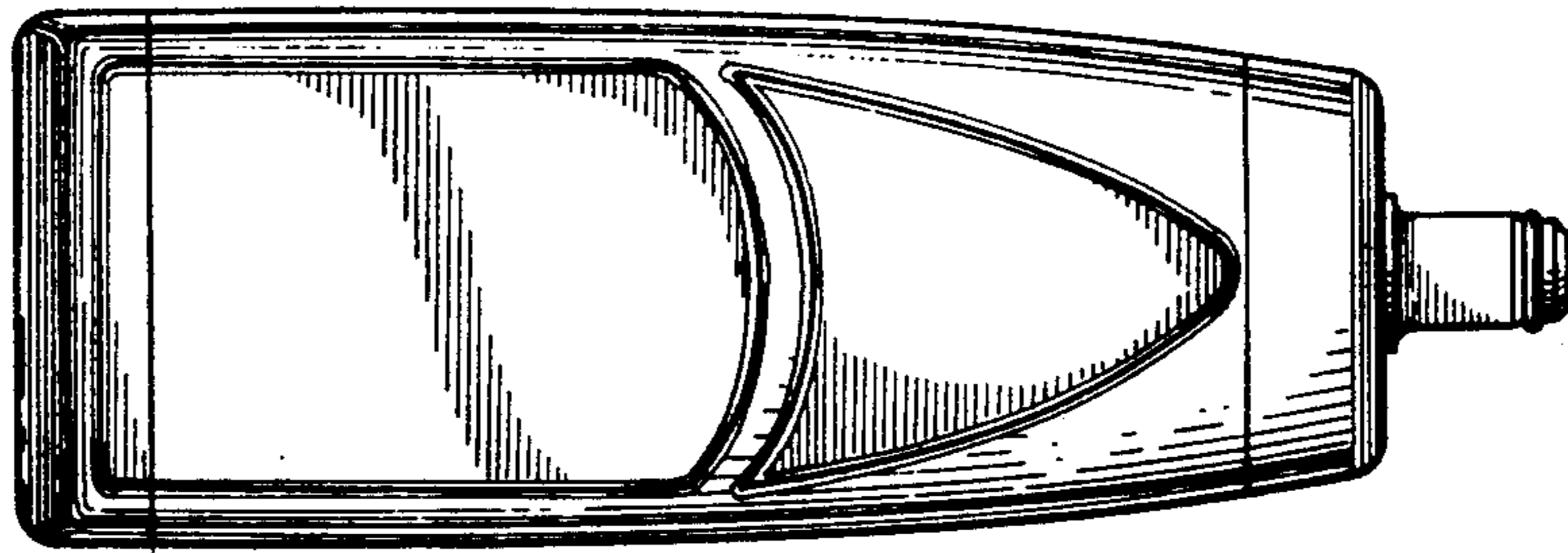
The ornamental design for the impact wrench, as shown and described.

## DESCRIPTION

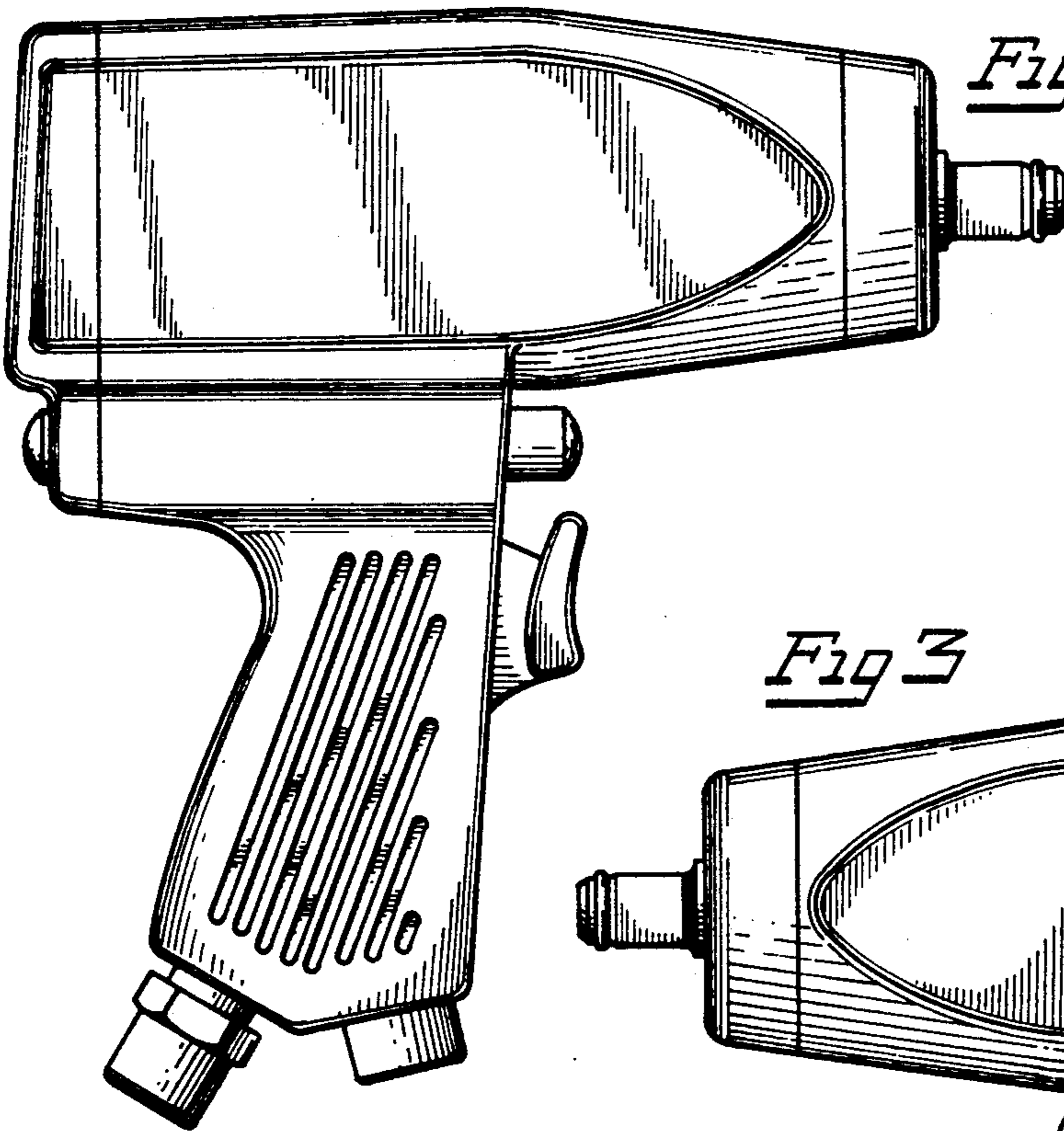
FIG. 1 is a top plan view of an impact wrench showing our new design;  
FIG. 2 is a left side elevational view;  
FIG. 3 is a right side elevational view;  
FIG. 4 is a front elevational view;  
FIG. 5 is a rear elevational view; and,  
FIG. 6 is a bottom plan view thereof.



*Fig 1*



*Fig 2*



*Fig 3*

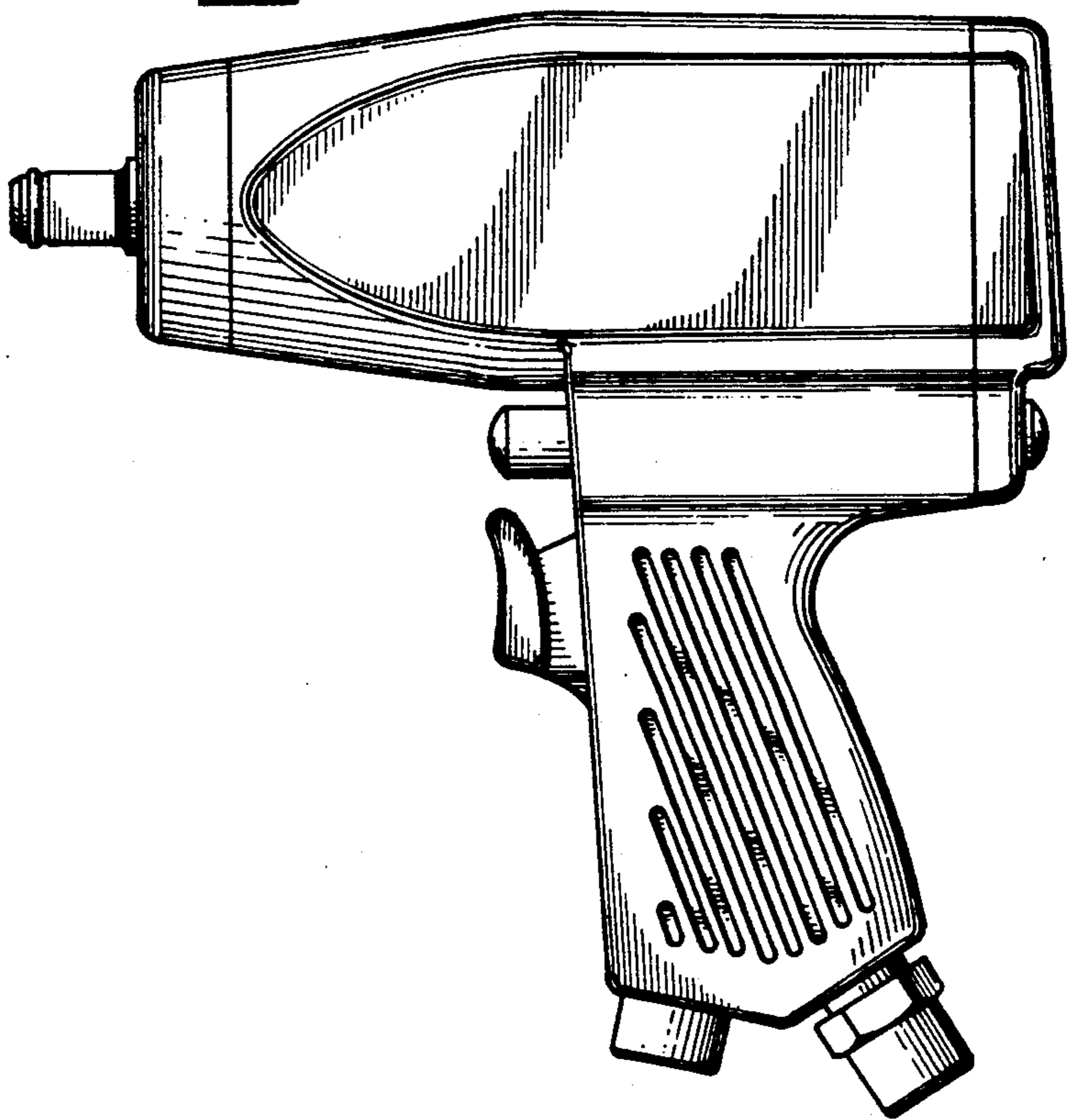


Fig 4

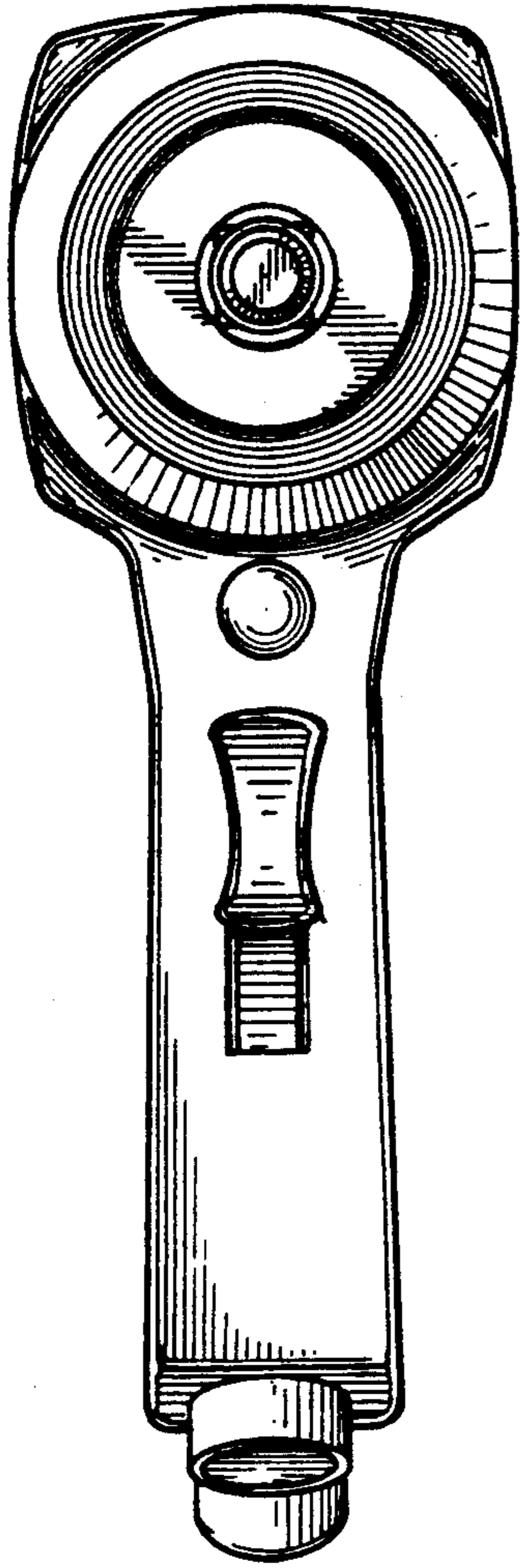


Fig 5

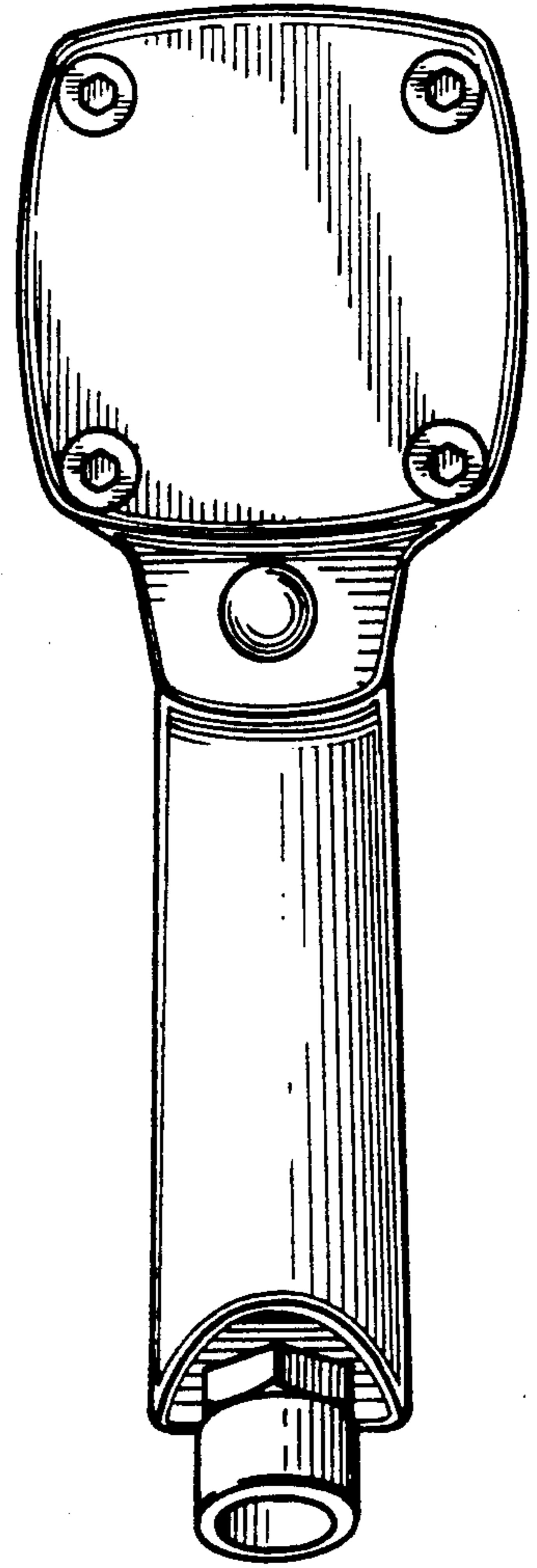


Fig 6

