



US00D324797S

# United States Patent [19]

[11] Patent Number: **Des. 324,797**

Zielinski et al.

[45] Date of Patent: **\*\* Mar. 24, 1992**

[54] **WATER HEATED CONTAINER FOR TEMPERATURE RETENTION AND SUPPORT OF FOOD SERVICE PANS**

3,071,287 1/1963 Gran ..... D9/426 X  
3,244,311 4/1966 Lawson ..... D9/426 X

[75] Inventors: **David J. Zielinski; Lloyd M. Finney; Steven R. Lawson**, all of Oklahoma City, Okla.

*Primary Examiner*—Nelson C. Holtje  
*Assistant Examiner*—Caron D. Veynar  
*Attorney, Agent, or Firm*—Laney, Dougherty, Hessin & Beavers

[73] Assignee: **Continental Carlisle Inc.**, Oklahoma City, Okla.

[57] **CLAIM**

[\*\*] Term: **14 Years**

The ornamental design for a water heated container for temperature retention and support of food service pans, as shown and described.

[21] Appl. No.: **324,627**

**DESCRIPTION**

[22] Filed: **Mar. 17, 1989**

[52] U.S. Cl. .... **D7/409**

[58] Field of Search ..... D7/347, 605, 601, 602, D7/409, 402, 354, 360, 359; D9/425, 424, 426

FIG. 1 is a top plan view of a water heated container for temperature retention and support of food service pans showing our new design;

FIG. 2 is a bottom plan view thereof;

FIG. 3 is a front elevational view thereof;

FIG. 4 is a rear elevational view thereof;

FIG. 5 is a right side elevational view thereof;

FIG. 6 is a left side elevational view thereof;

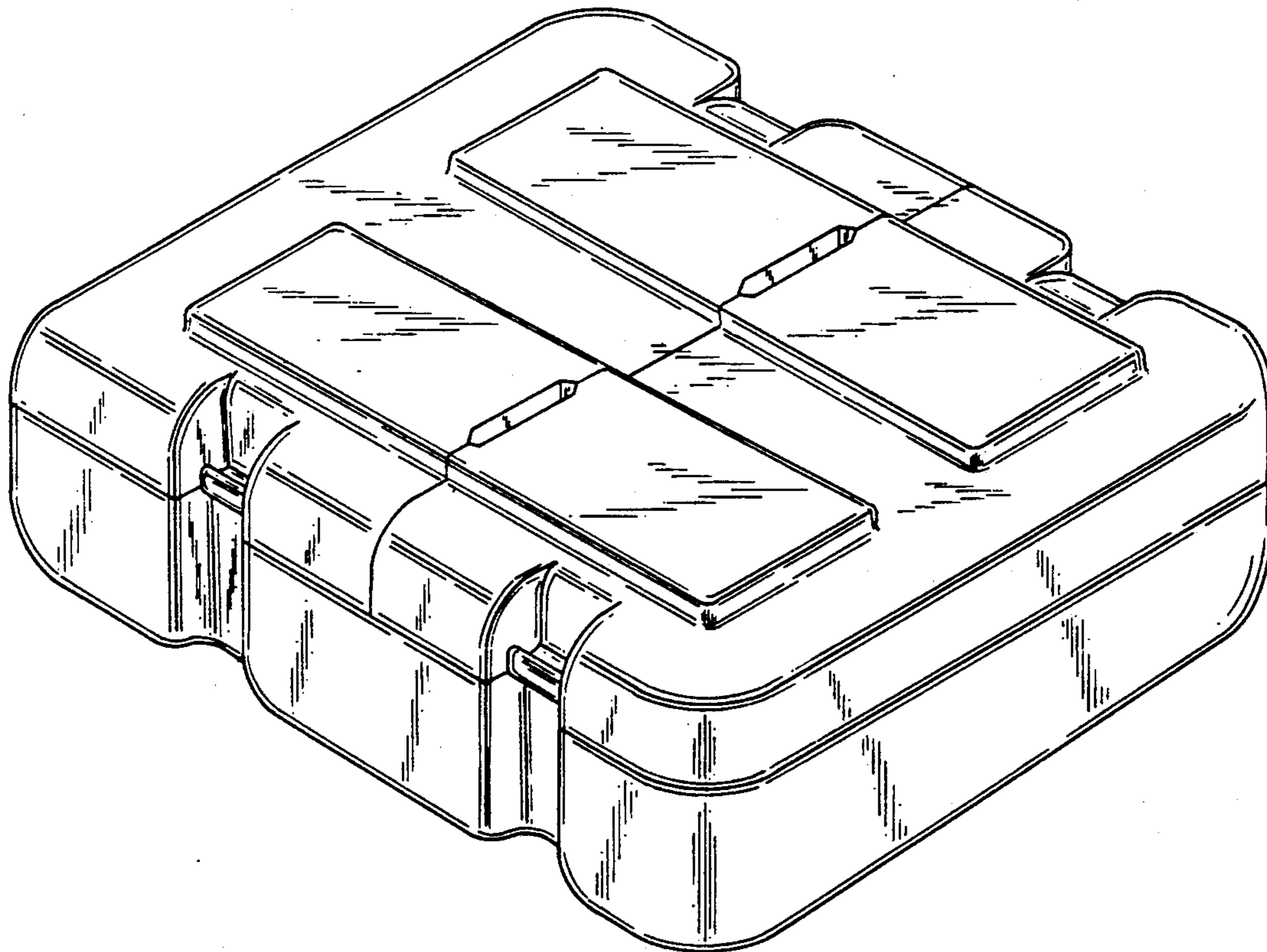
FIG. 7 is a right front and top perspective view thereof; and,

FIG. 8 is a bottom and rear perspective view thereof.

[56] **References Cited**

**U.S. PATENT DOCUMENTS**

D. 183,777 10/1958 Weiss ..... D9/424  
D. 234,273 2/1975 Wilson et al. .... D9/424 X  
D. 255,329 6/1980 Luck ..... D7/605



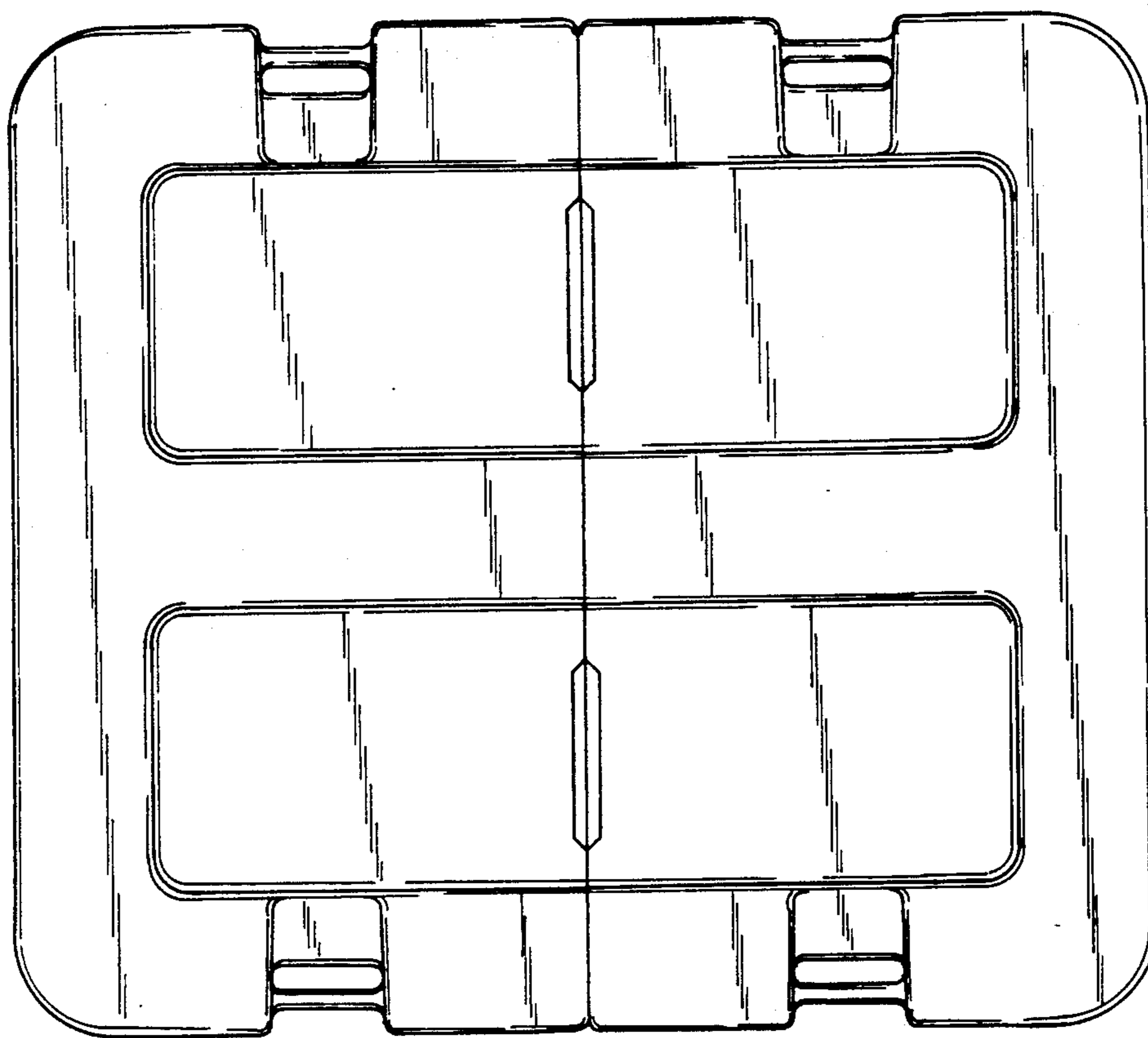


FIG. 1

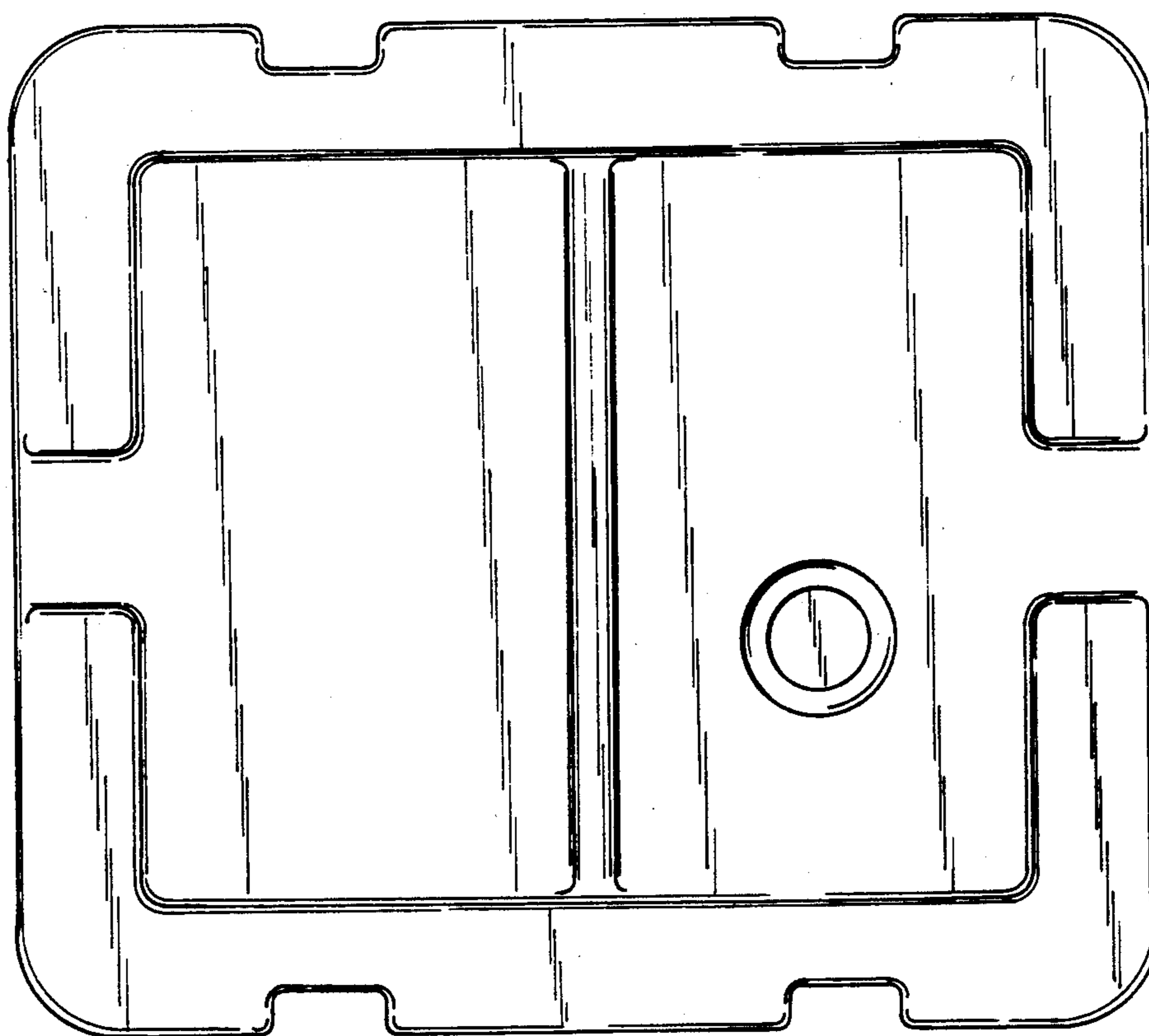


FIG. 2

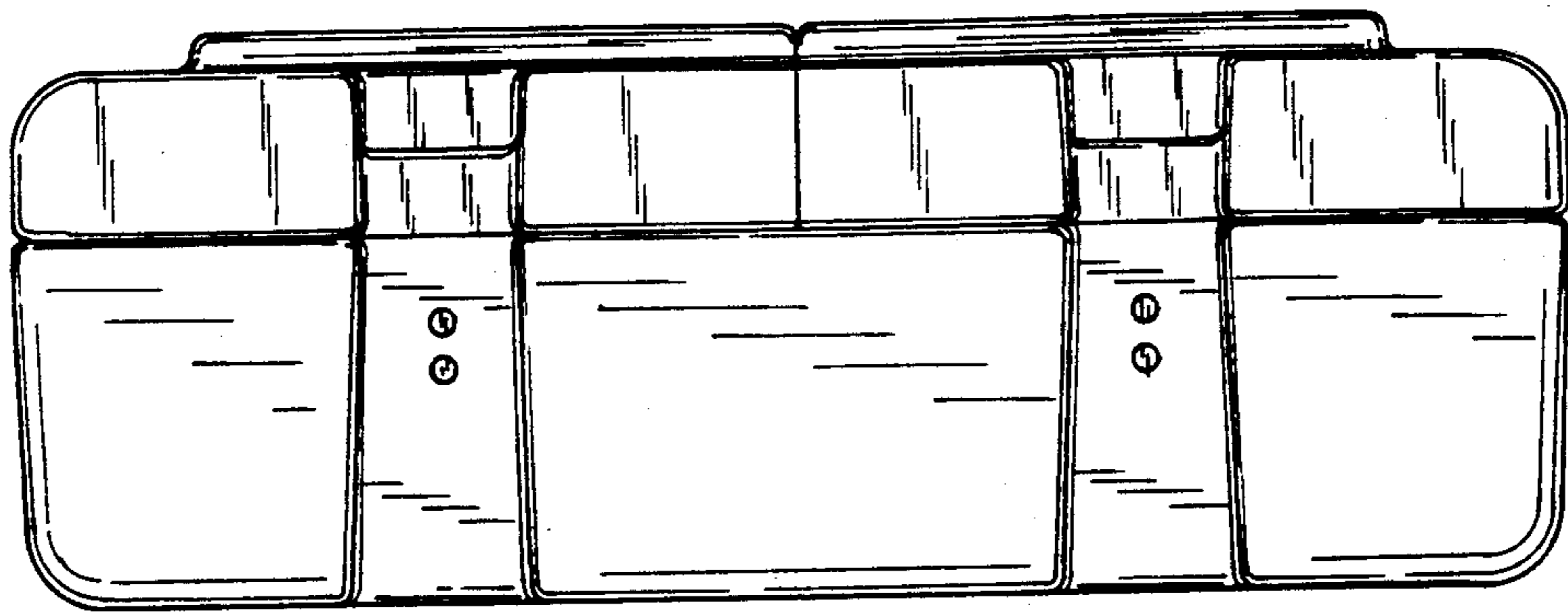


FIG. 3

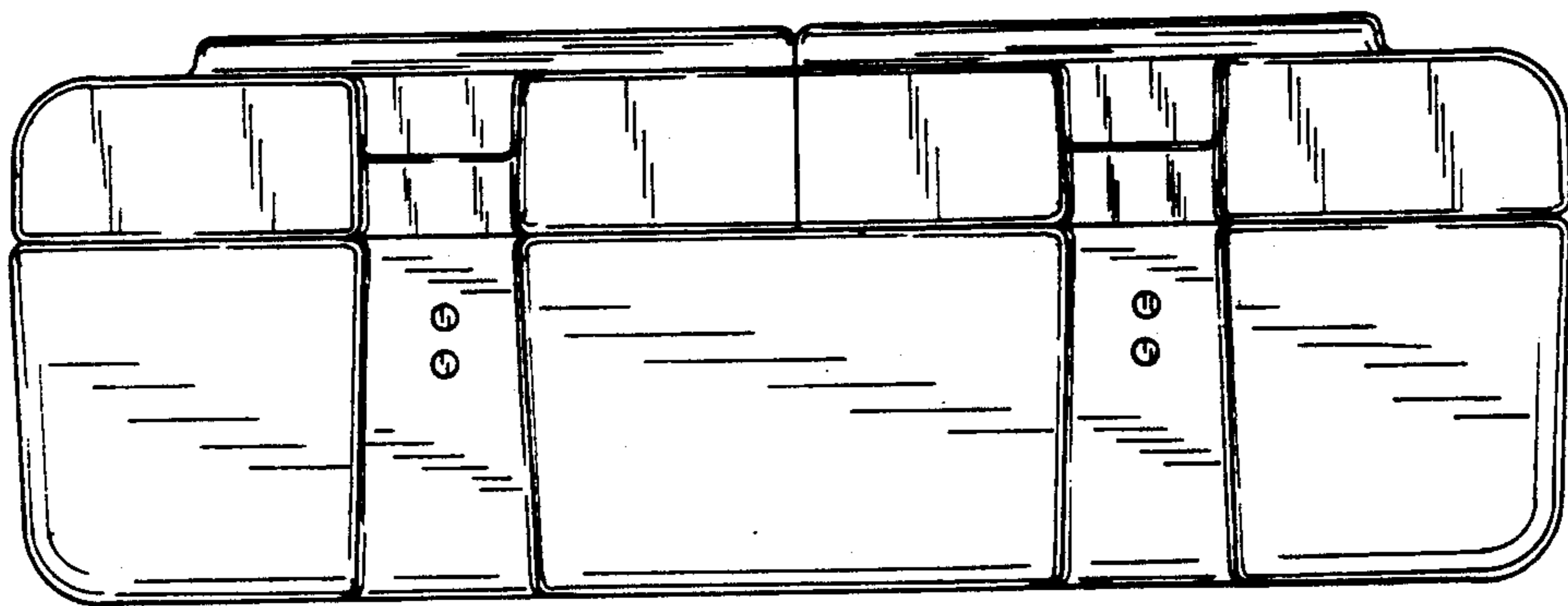


FIG. 4

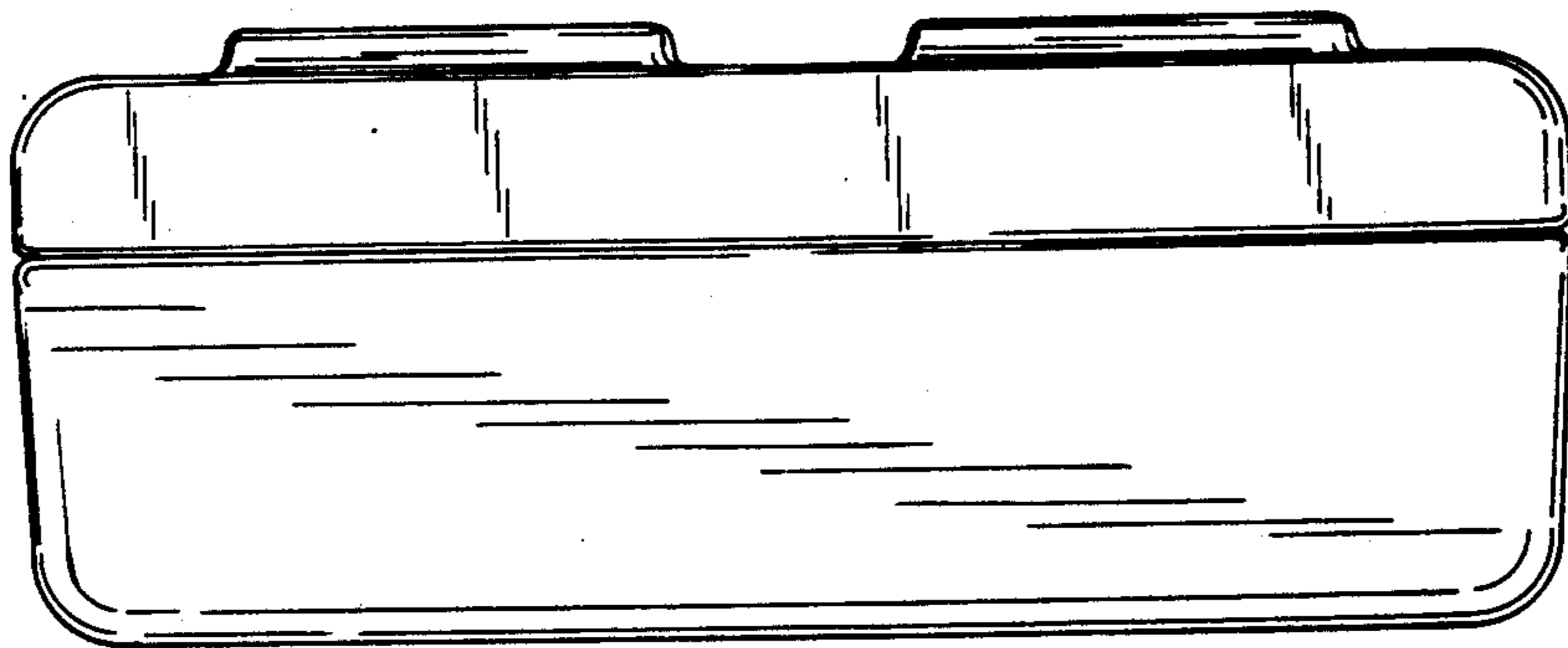


FIG. 5

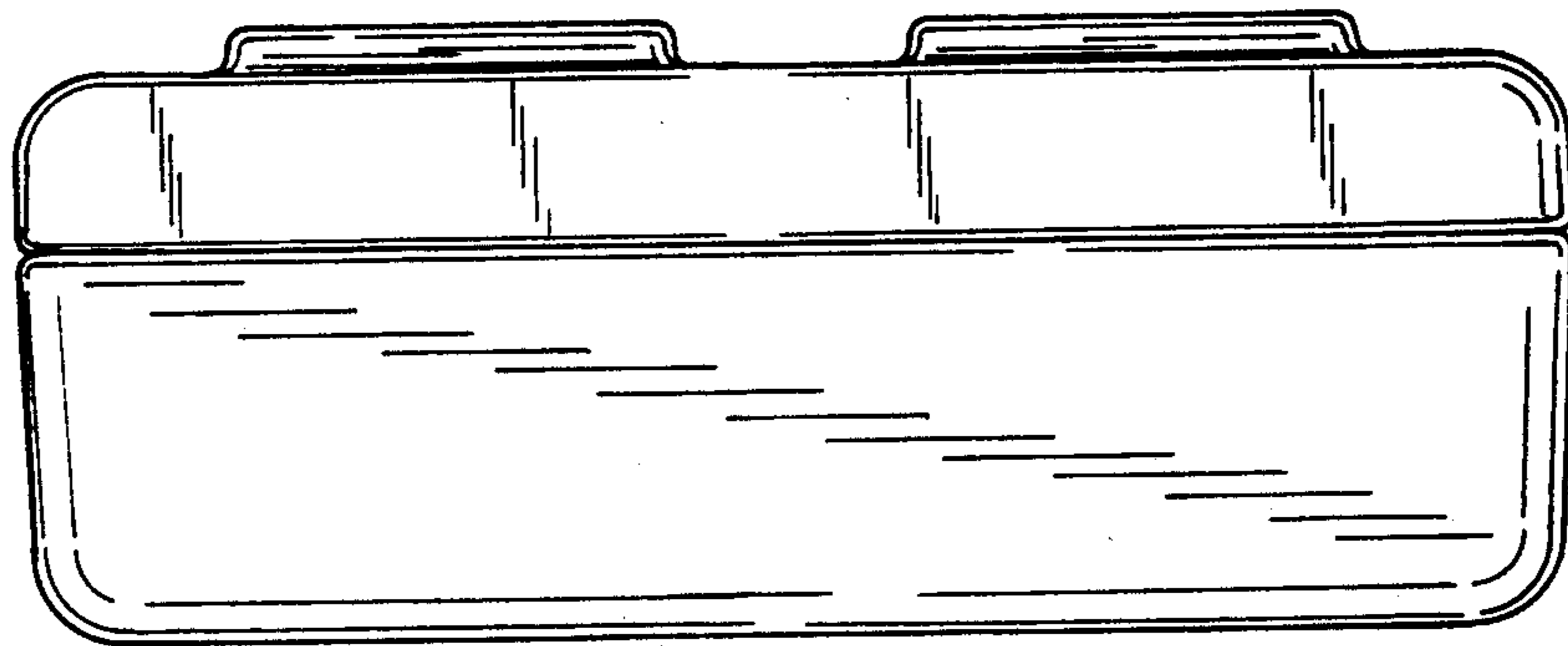


FIG. 6



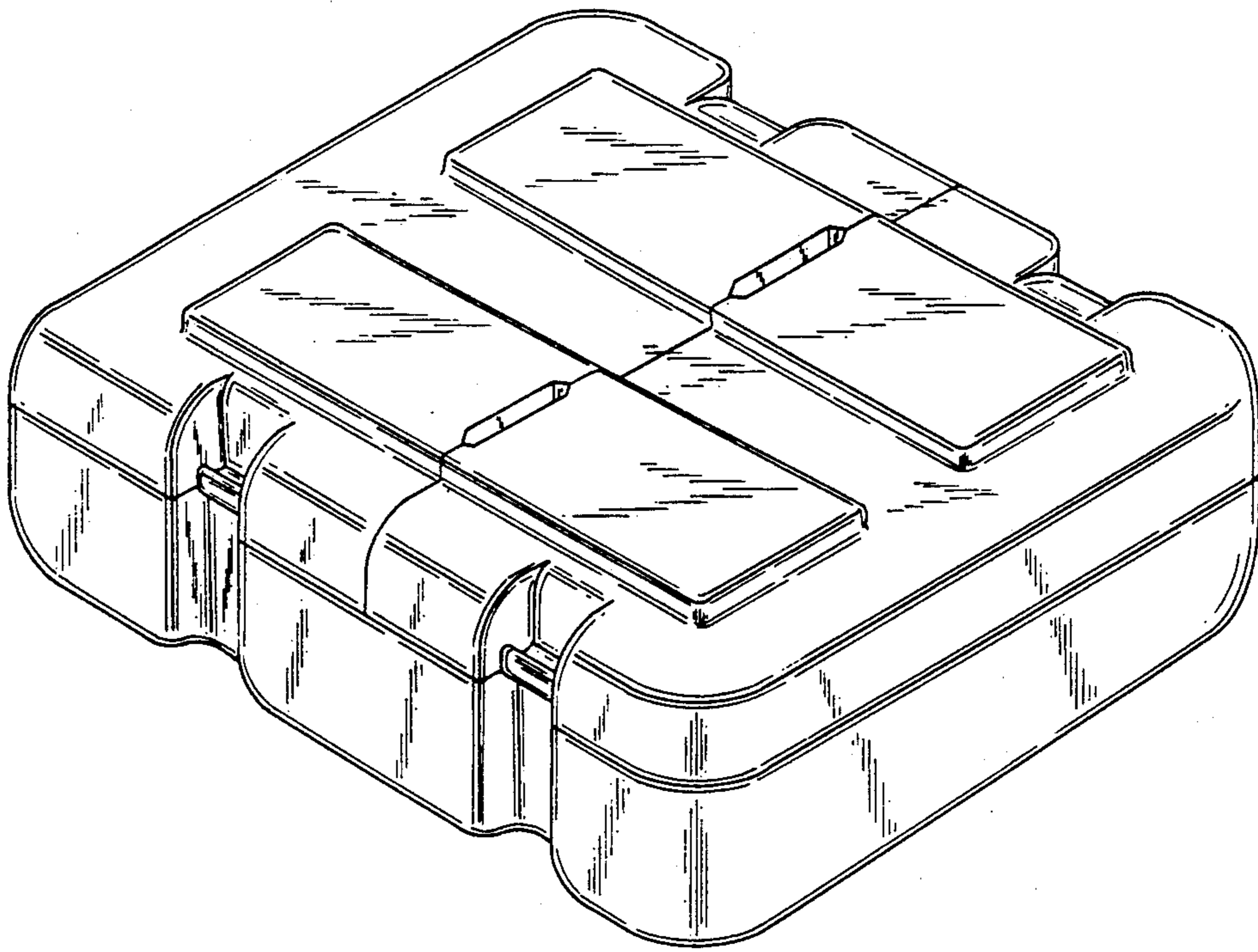


FIG. 2

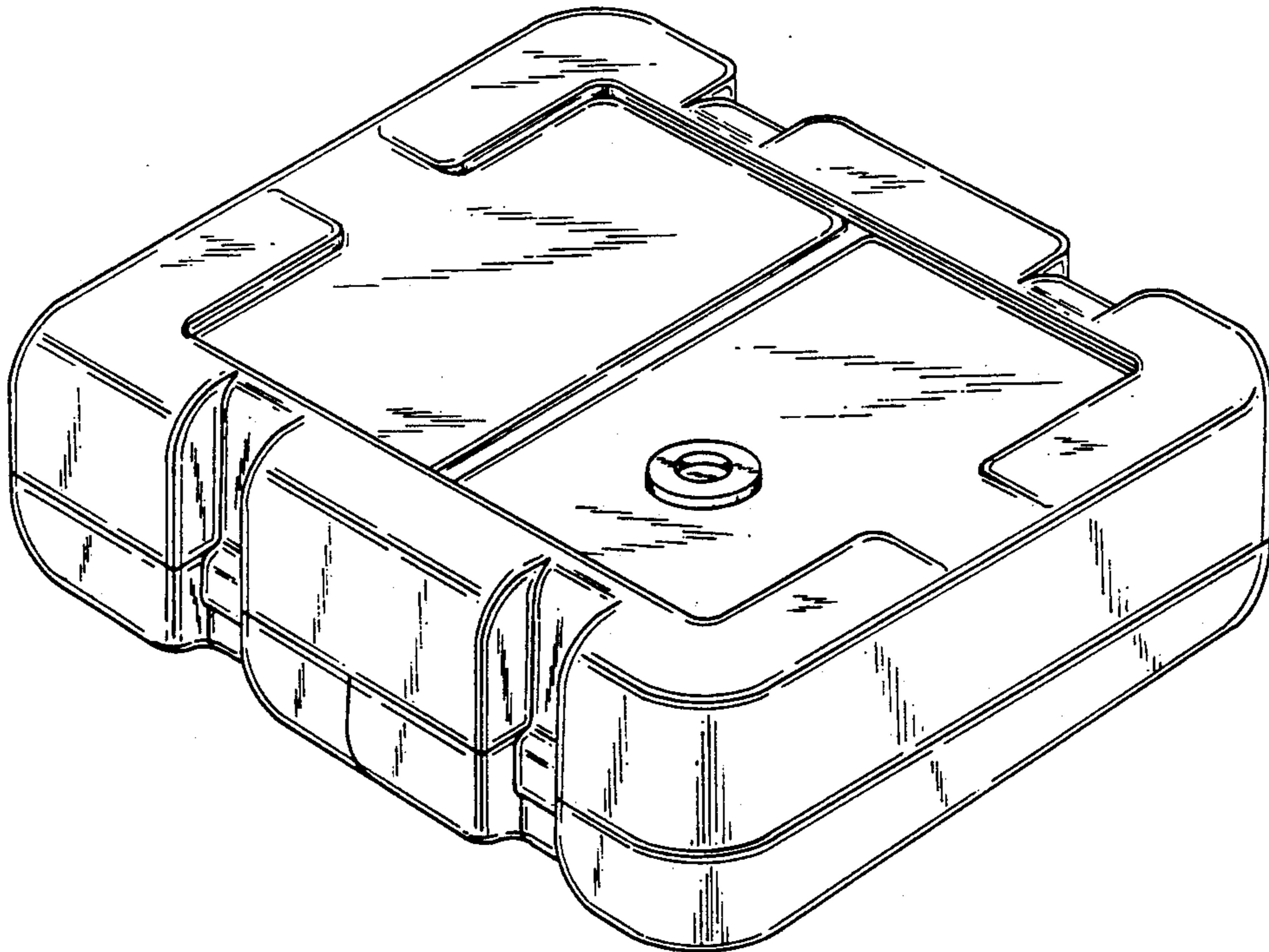


FIG. 3