



US00D324796S

# United States Patent [19]

McCabe

[11] Patent Number: Des. 324,796

[45] Date of Patent: \*\* Mar. 24, 1992

[54] OVEN

[75] Inventor: Gregory J. McCabe, Hooksett, N.H.

[73] Assignee: The Procter & Gamble Company, Cincinnati, Ohio

[\*\*] Term: 14 Years

[21] Appl. No.: 344,150

[22] Filed: Apr. 27, 1989

[52] U.S. Cl. .... D7/348

[58] Field of Search ..... D7/348; 126/21 A, 275 R, 126/275 E, 273, 19 R; 99/476, 427, 450

4,155,294 5/1979 Langhammer et al. .... 99/450 X

4,375,184 3/1983 Gilliom ..... 99/422

4,397,875 8/1983 Gilliom ..... 426/523

4,491,065 1/1985 Poulson ..... 99/327

Primary Examiner—A. Hugo Word  
 Assistant Examiner—Paula Allen  
 Attorney, Agent, or Firm—Michael E. Hilton; E. Kelly Linman; Richard C. Witte

### [57] CLAIM

The ornamental design for an oven, as shown and described.

### DESCRIPTION

FIG. 1 is a front perspective view of an oven showing my new design;

FIG. 2 is a front elevational view thereof;

FIG. 3 is a top plan view thereof;

FIG. 4 is a right side elevational view thereof;

FIG. 5 is a left side elevational view thereof;

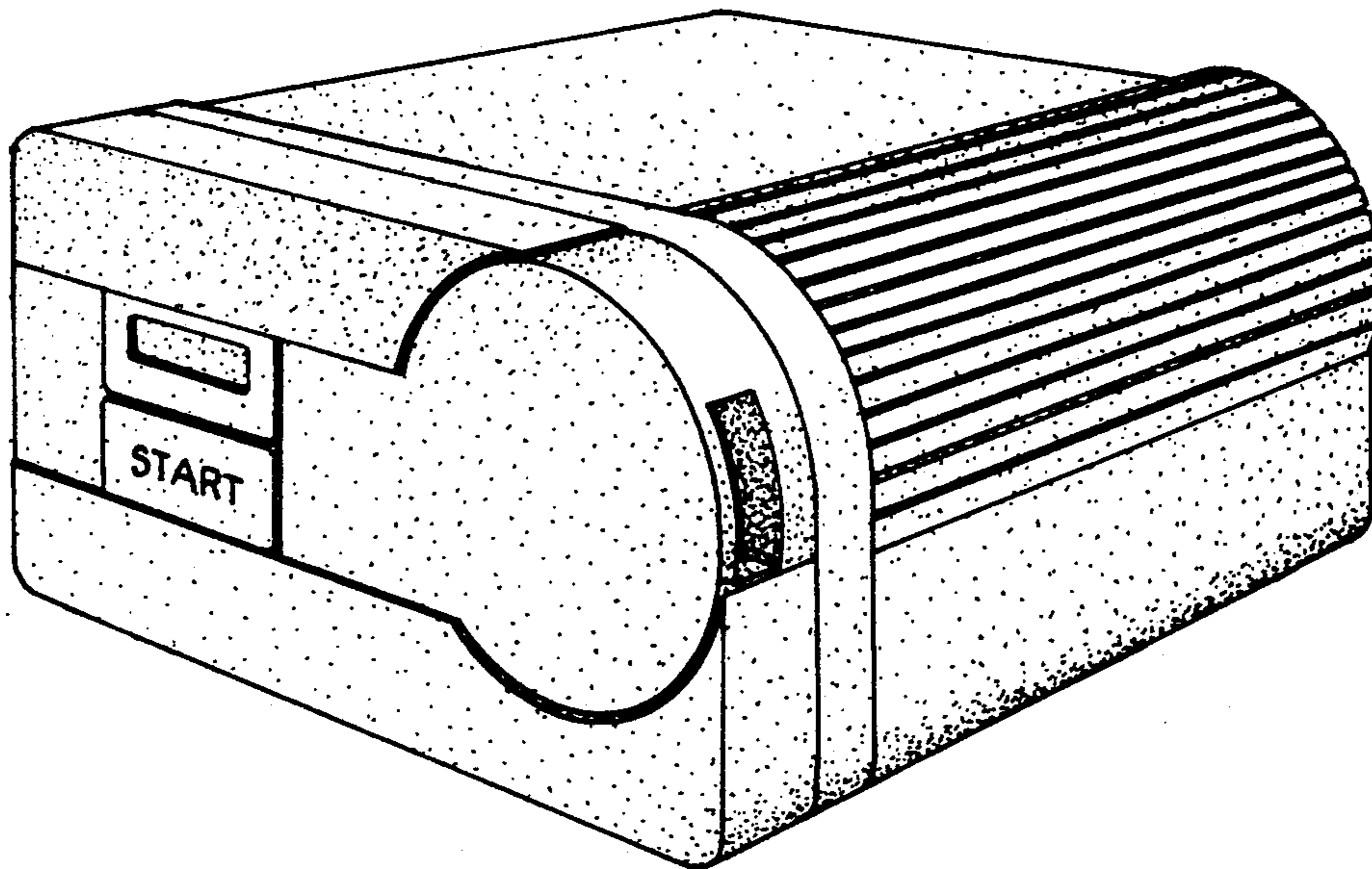
FIG. 6 is a rear elevational view thereof; and,

FIG. 7 is a bottom plan view thereof.

[56] References Cited

U.S. PATENT DOCUMENTS

|            |         |                      |          |
|------------|---------|----------------------|----------|
| Re. 31,833 | 2/1985  | Loeffler et al. .... | 99/427 X |
| 2,172,059  | 9/1939  | Chilton .....        | 99/476 X |
| 2,543,297  | 2/1951  | Olmsted .....        | 99/427   |
| 2,836,696  | 10/1955 | Ratchford .....      | 126/19 R |
| 3,563,159  | 1/1971  | Johnson .....        | 99/427 X |
| 3,870,193  | 3/1975  | Schneider .....      | 221/150  |



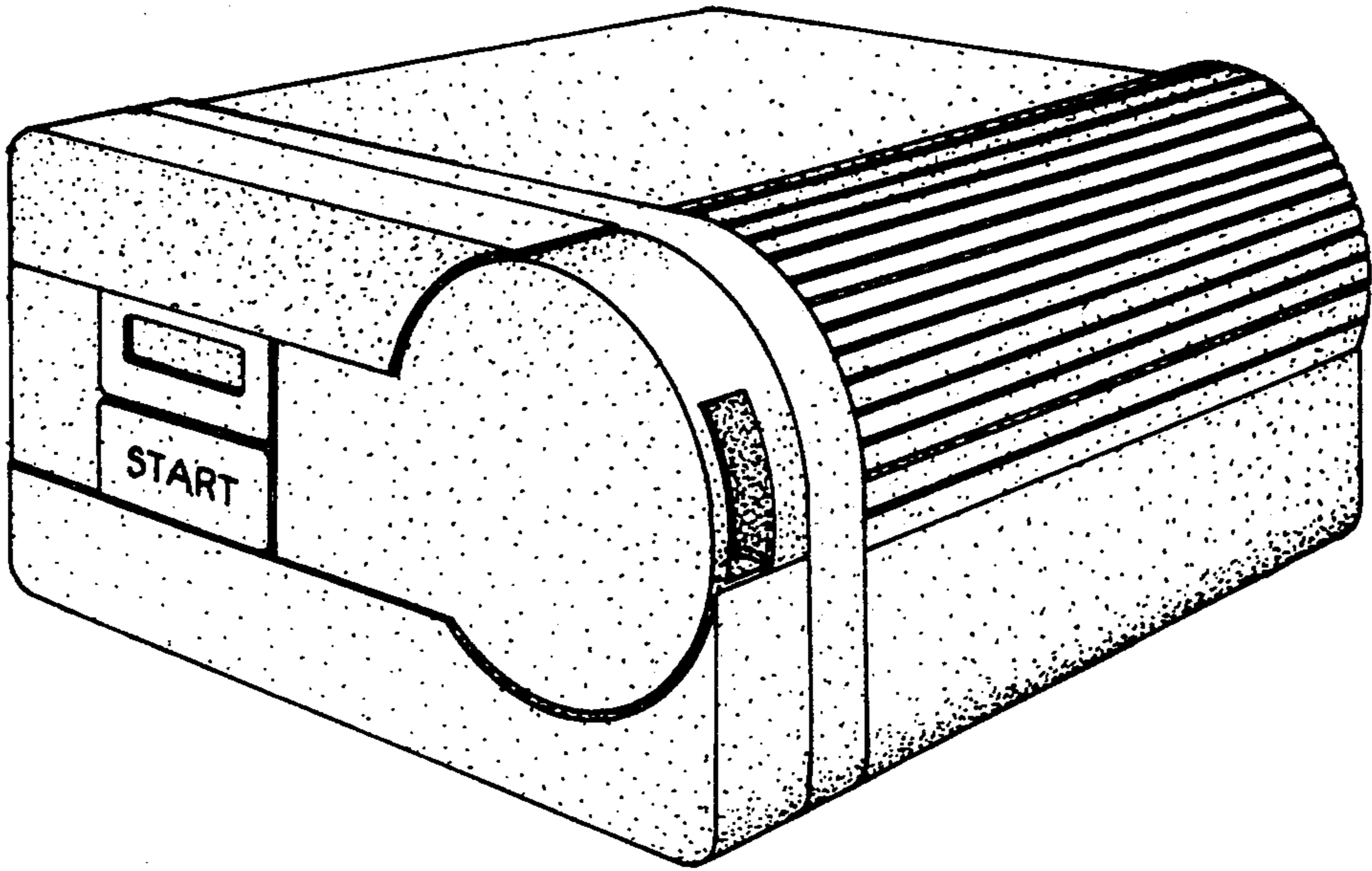


FIG. 1

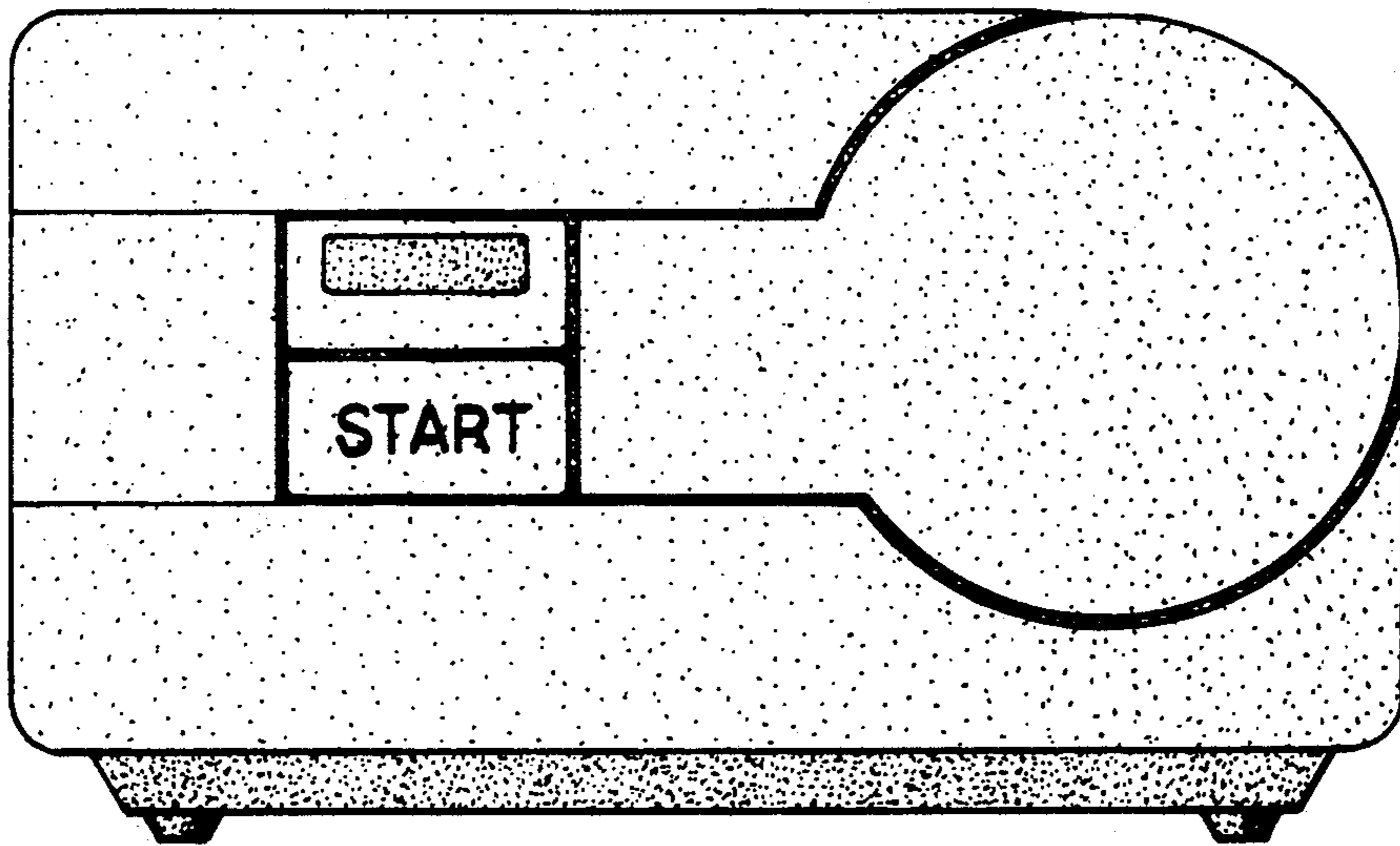


FIG. 2

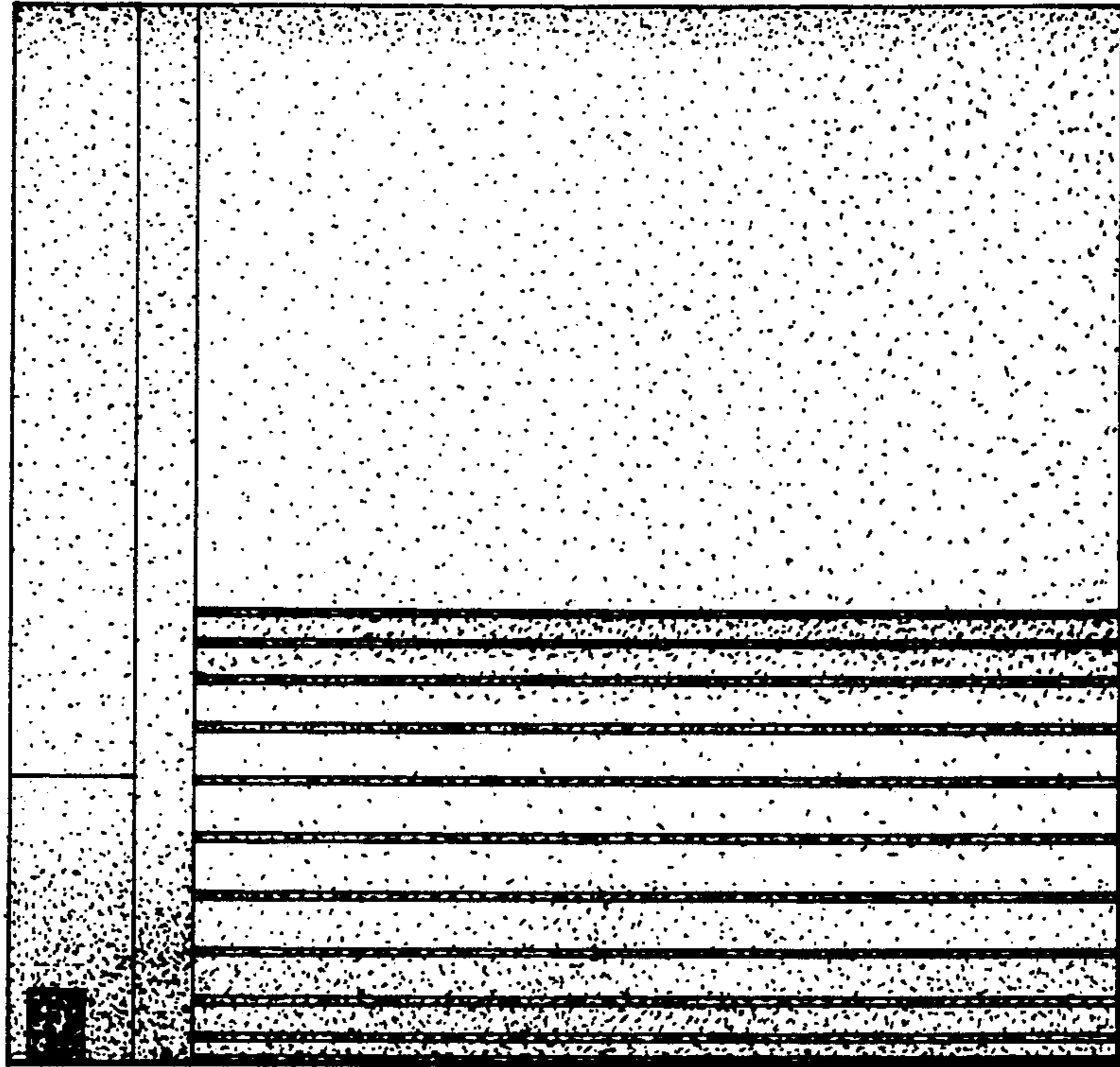


FIG. 3

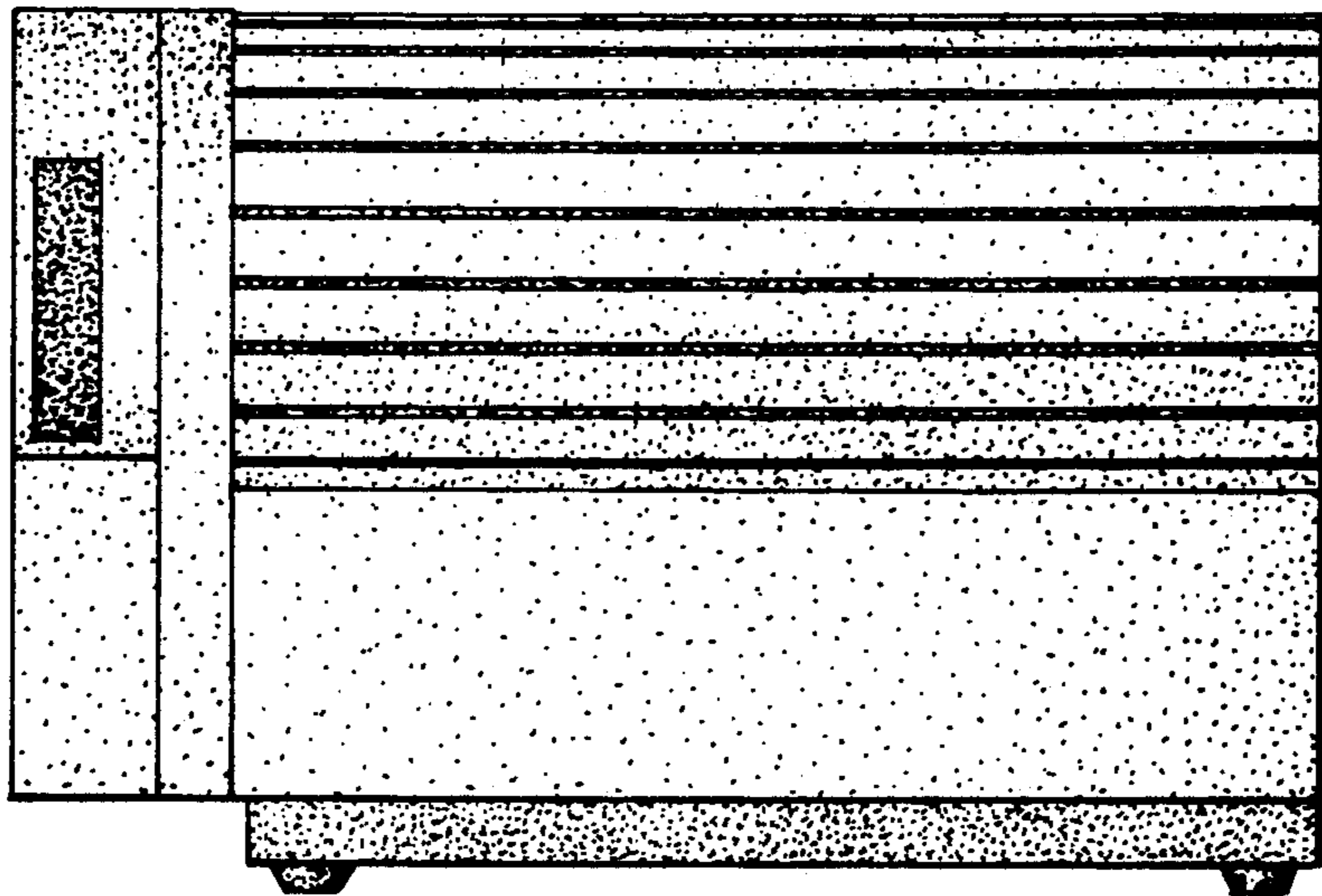


FIG. 4

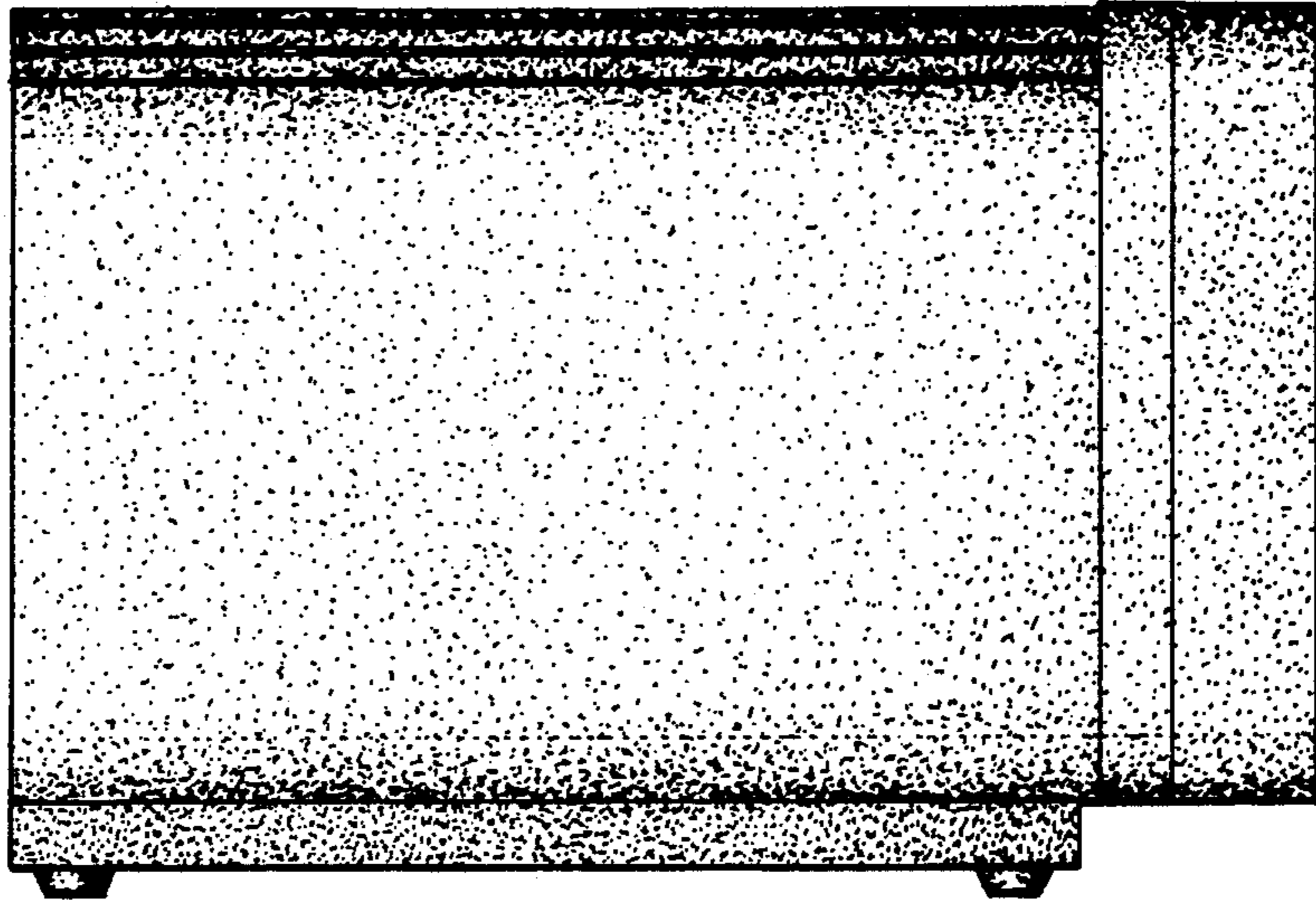


FIG. 5

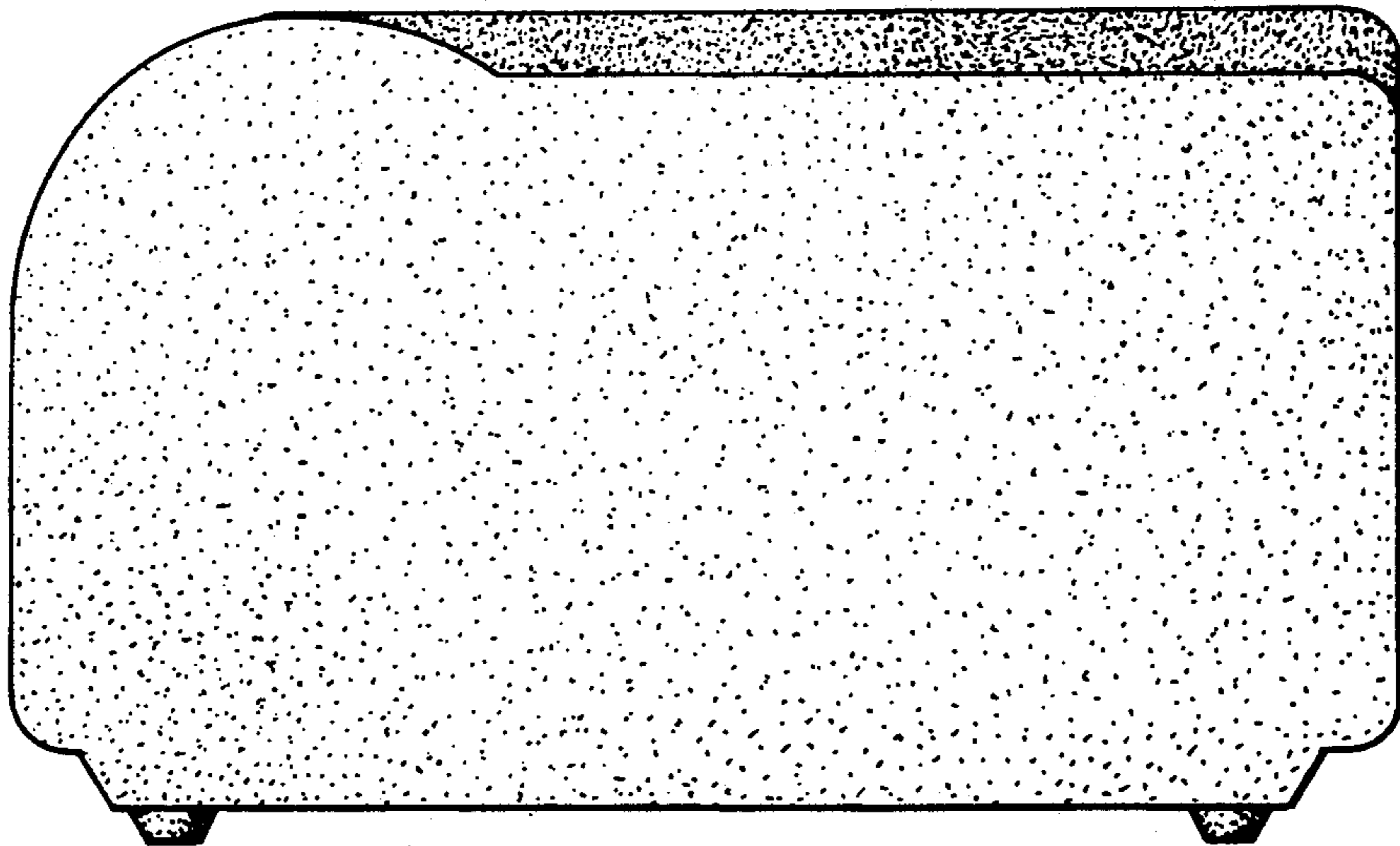


FIG. 6

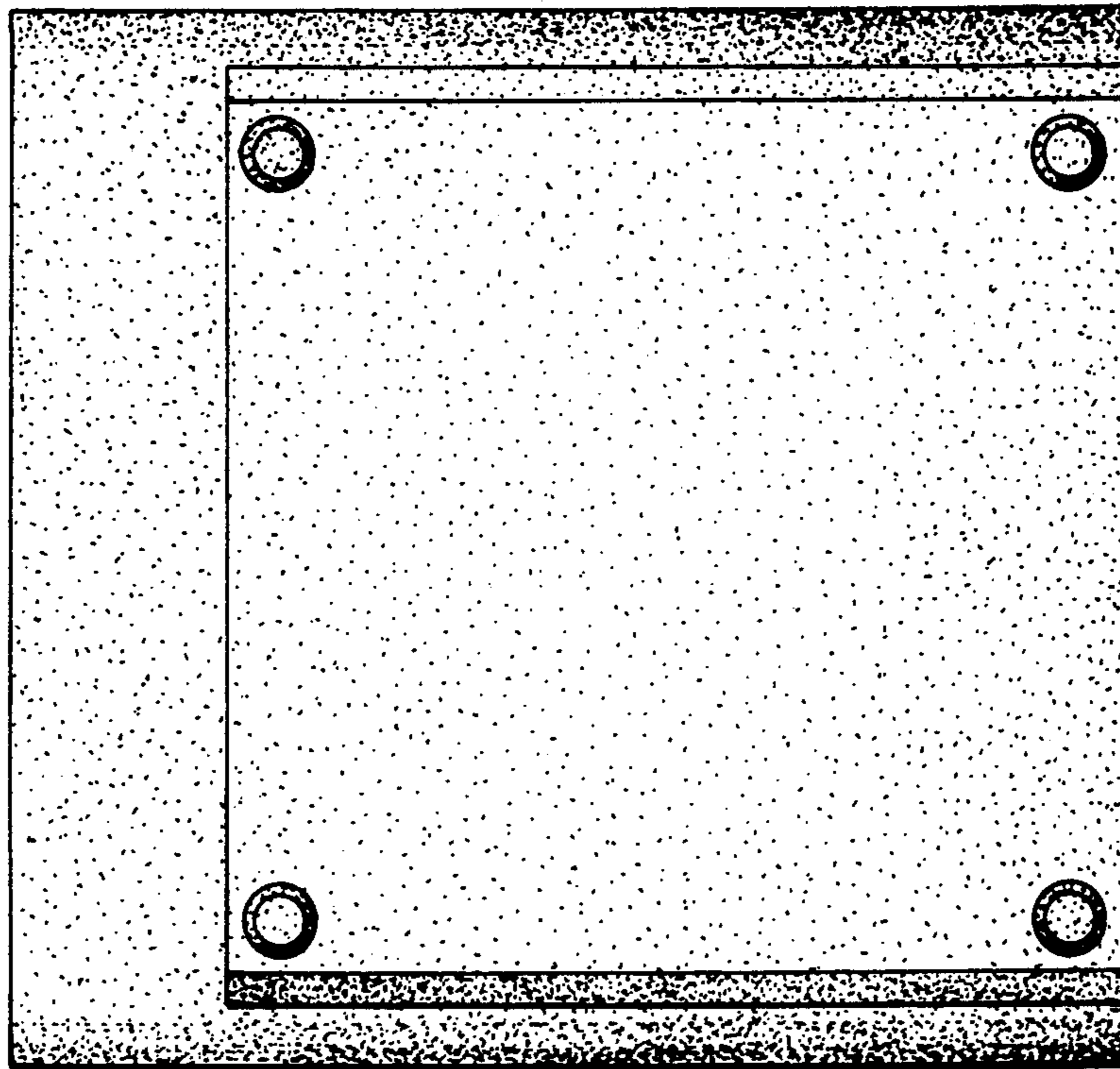


FIG. 7