



US00D324791S

# United States Patent [19]

[11] Patent Number: **Des. 324,791**

Hoover

[45] Date of Patent: **\*\* Mar. 24, 1992**

[54] **PORTABLE TABLE ATTACHABLE TRAY**

[76] Inventor: **Virginia L. Hoover**, 815 Main,  
Russell, Kans. 67665

[\*\*] Term: **14 Years**

[21] Appl. No.: **280,288**

[22] Filed: **Dec. 5, 1988**

[52] U.S. Cl. .... **D6/511; D6/406;**  
**D7/543; D7/549; D7/553**

[58] Field of Search ..... **D6/404, 513; D7/550,**  
**D7/553, 554, 698, 699, 543, 549; D3/40;**  
**108/44, 46; 211/88**

[56] **References Cited**

**U.S. PATENT DOCUMENTS**

D. 60,025	12/1921	Hoodwin	.....	D7/554
D. 72,917	6/1927	Traver	.....	D7/554
D. 159,454	7/1950	Waltman	.....	D7/553
D. 279,837	7/1985	Tanalca	.....	D3/40
D. 298,884	12/1988	Rychlock	.....	D3/40
2,328,235	8/1943	Setzler	.....	D6/392 X
2,672,182	3/1954	Gwin et al.	.....	D7/554 X
3,233,563	2/1966	Mauchline	.....	D7/554 X
3,662,982	5/1972	Antenius	.....	211/88 X
4,850,282	7/1989	Postic	.	

**FOREIGN PATENT DOCUMENTS**

1103185	2/1968	United Kingdom	.....	D7/553 X
---------	--------	----------------	-------	----------

*Primary Examiner*—Nelson C. Holtje  
*Assistant Examiner*—Janice E. Seeger  
*Attorney, Agent, or Firm*—Litman, McMahon & Brown

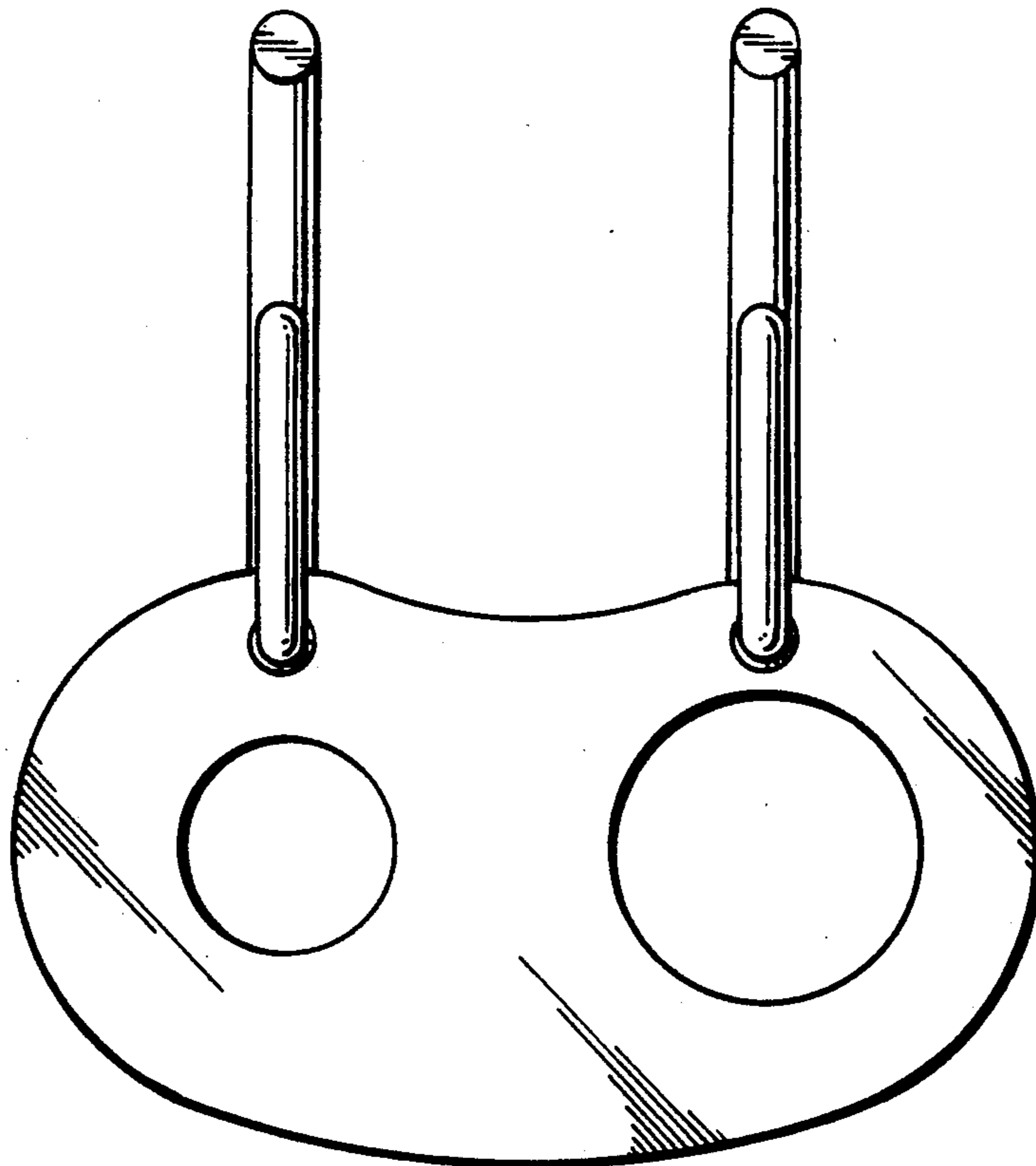
[57] **CLAIM**

The ornamental design for a portable table attachable tray, as shown and described.

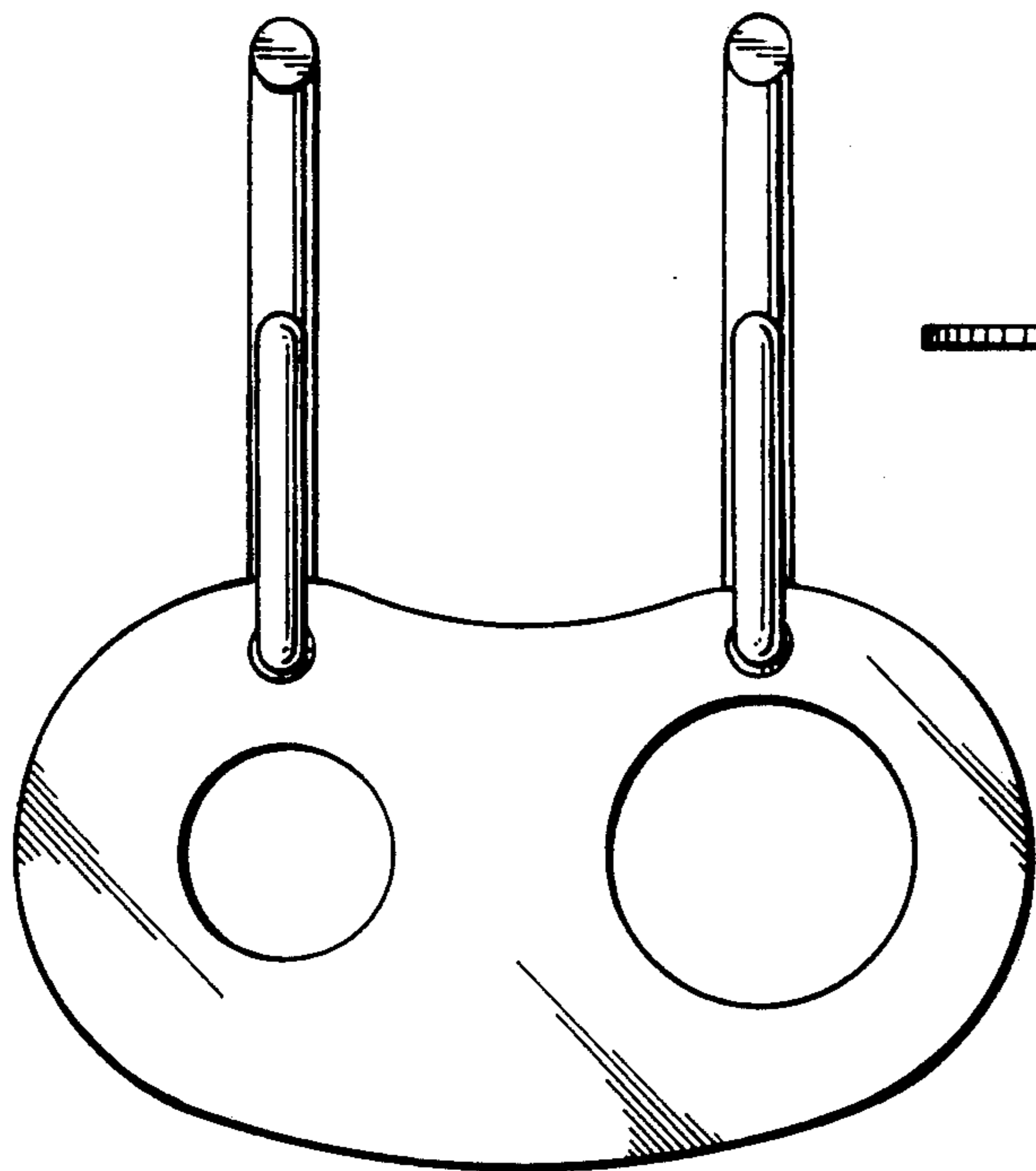
**DESCRIPTION**

FIG. 1 is a top plan view of a portable table attachable tray showing my new design;  
 FIG. 2 is a front elevational view;  
 FIG. 3 is a side elevational view, the opposite side being a mirror image thereof;  
 FIG. 4 is a bottom plan view;  
 FIG. 5 is a rear elevational view;  
 FIG. 6 is a top plan view of a portable table attachment tray showing an alternate embodiment of my new design;  
 FIG. 7 is a bottom plan view of the alternate embodiment;  
 FIG. 8 is a side elevational view of the alternate embodiment, the opposite side being a mirror image thereof;  
 FIG. 9 is a front elevational view of the alternate embodiment; and,  
 FIG. 10 is a rear elevational view of the alternate embodiment.

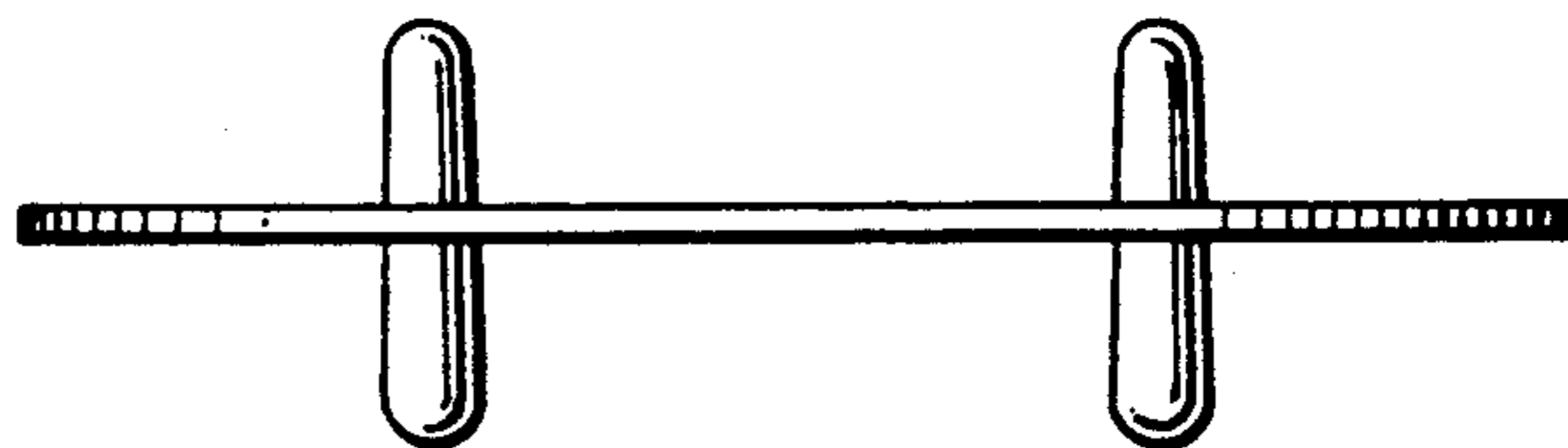
The table fragmentarily depicted in broken lines in FIGS. 3 and 8 has been shown for illustrative purposes only.



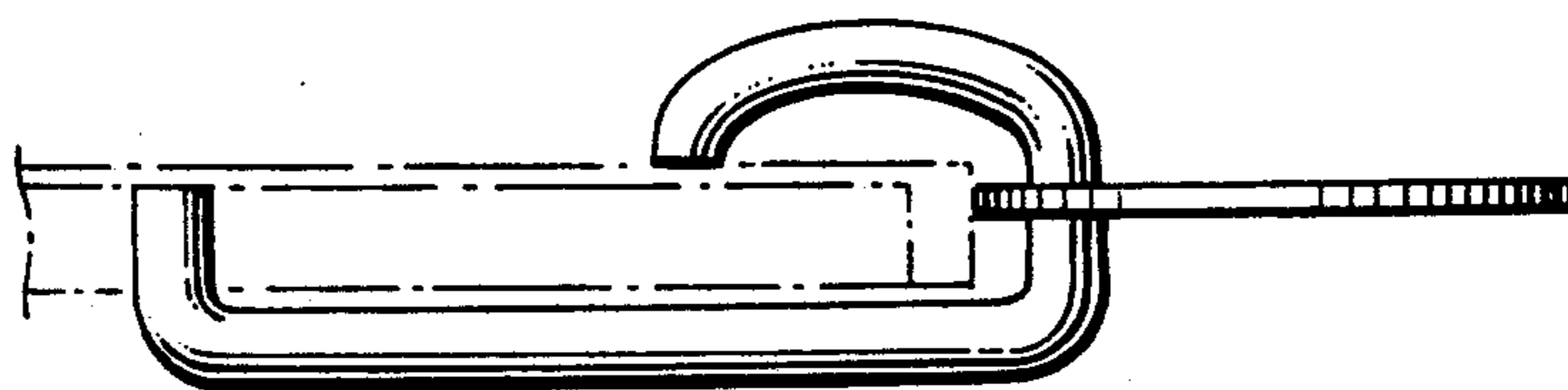
**Fig. 1.**



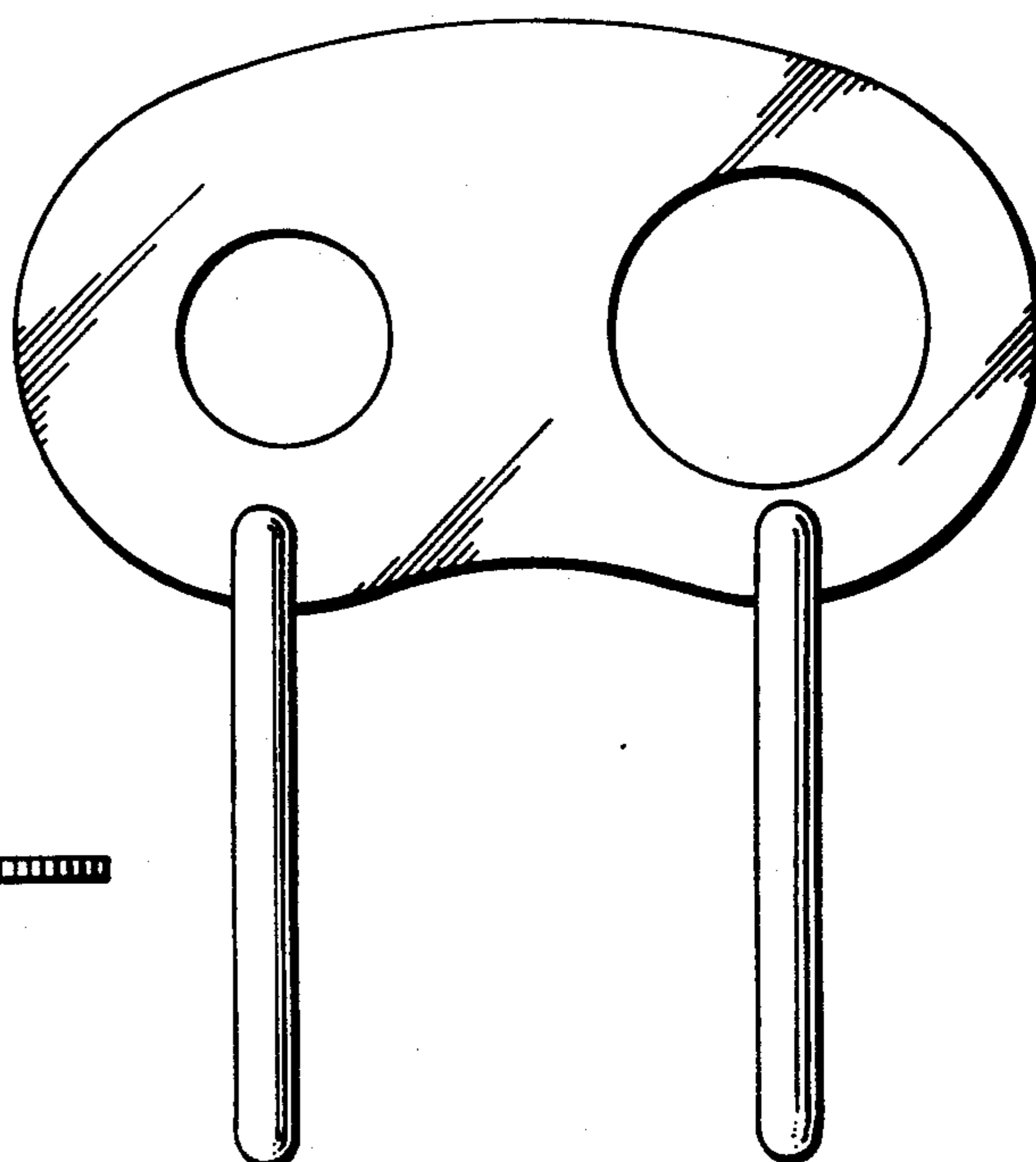
**Fig. 2.**



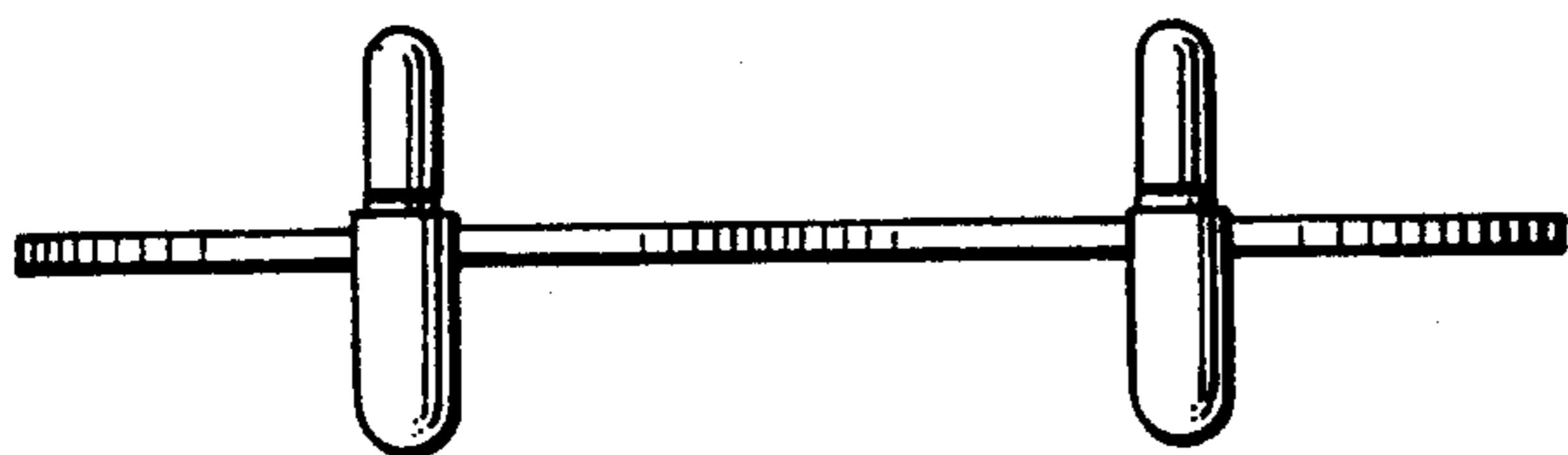
**Fig. 3.**



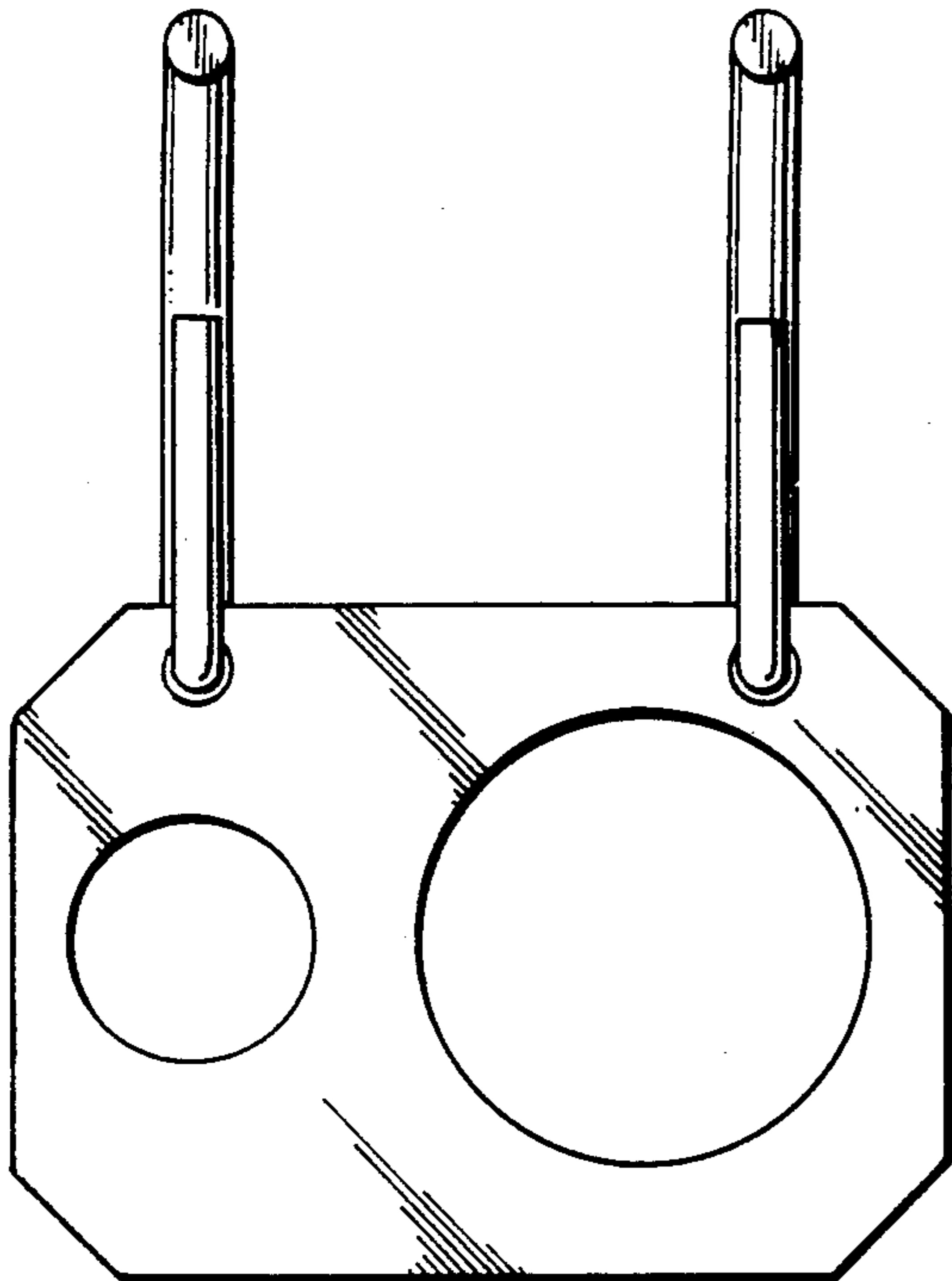
**Fig. 4.**



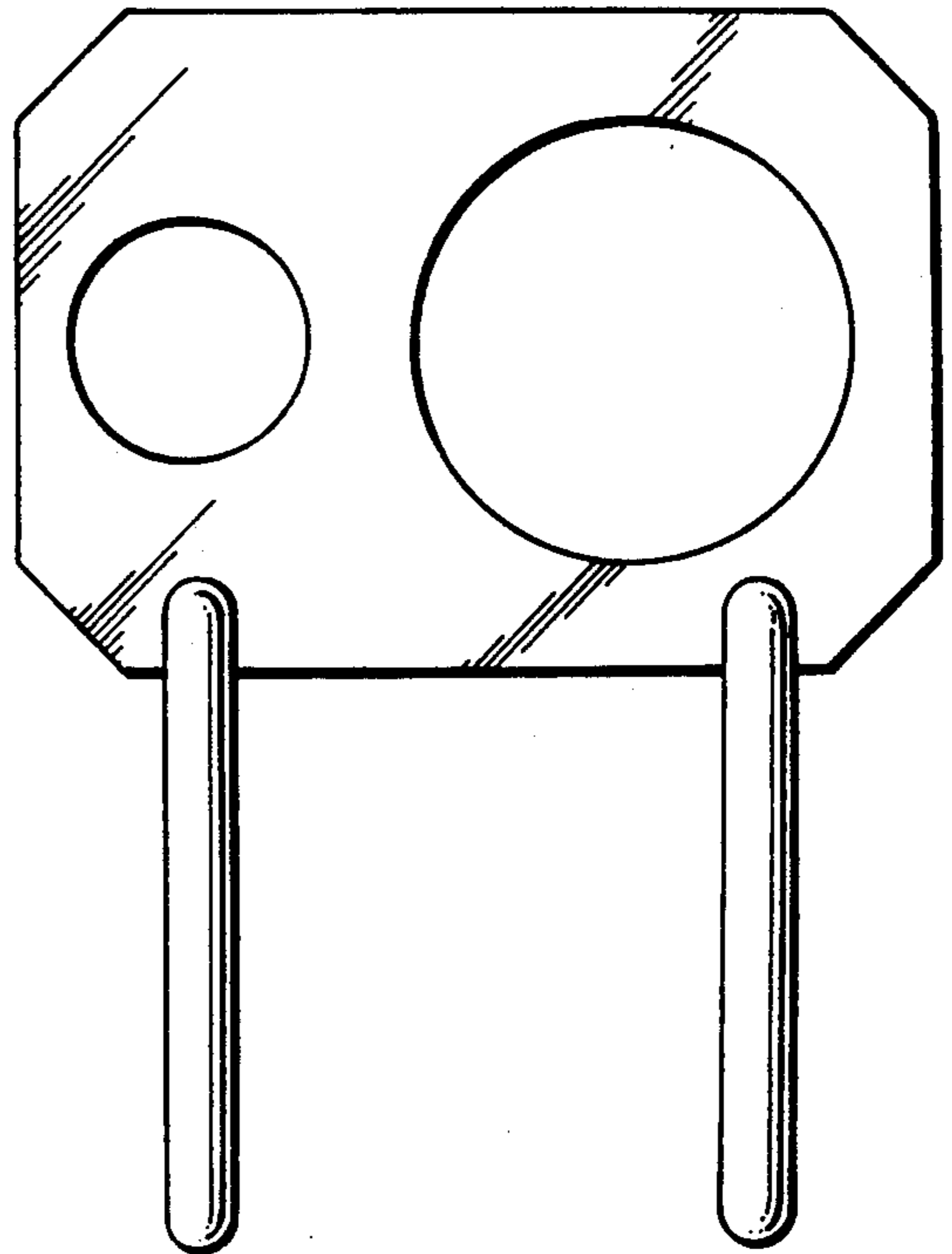
**Fig. 5.**



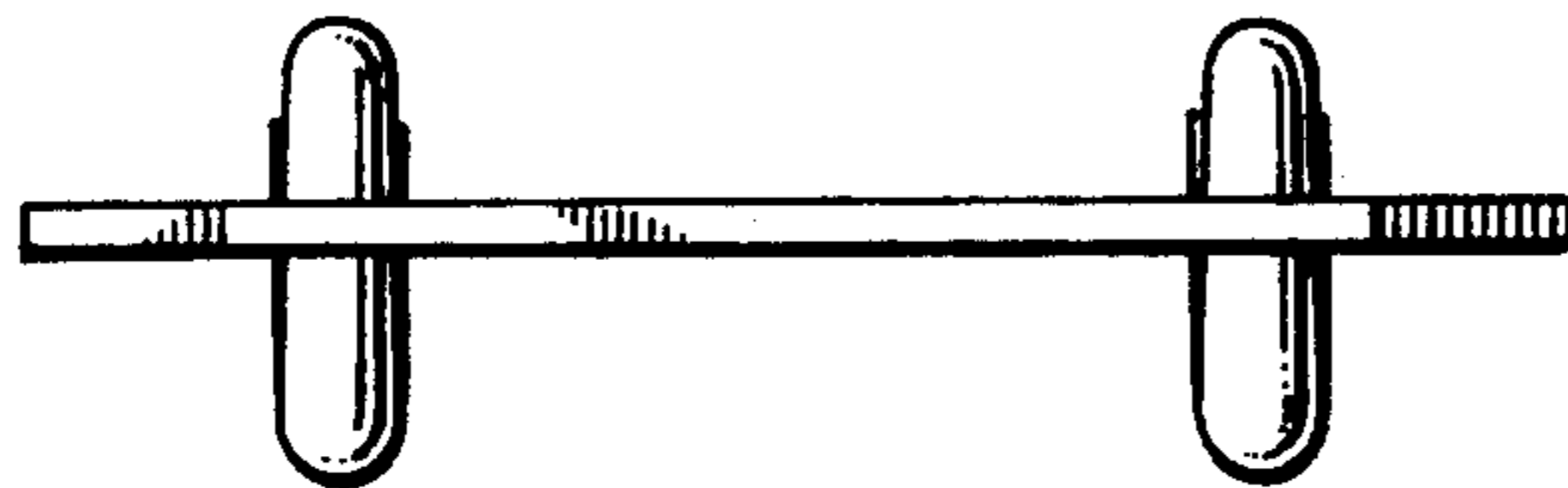
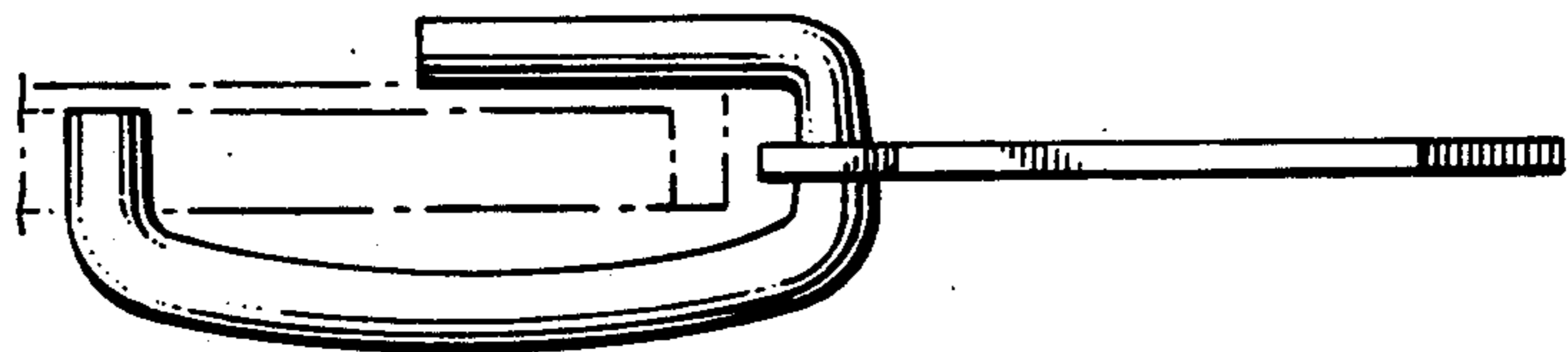
**Fig. 6.**



**Fig. 7.**



**Fig. 8.**



**Fig. 9.**

**Fig. 10.**

