



US00D324783S

United States Patent [19]

[11] Patent Number: **Des. 324,783**

Greenhut et al.

[45] Date of Patent: **** Mar. 24, 1992**

[54] **HOOK RACK**

[76] Inventors: **Steven E. Greenhut**, 21646 Club Villa Ter., Boca Raton, Fla. 33433;
Sheldon H. Goodman, 4079 Princeton Blvd., South Euclid, Ohio 44121

[**] Term: **14 Years**

[21] Appl. No.: **279,128**

[22] Filed: **Dec. 2, 1988**

[52] U.S. Cl. **D6/323**

[58] Field of Search **D6/320, 317, 323;**
D8/370, 372, 373; 211/87, 106, 181; 248/303

[56] **References Cited**

U.S. PATENT DOCUMENTS

- D. 271,545 11/1983 Licari et al. D6/323
- D. 295,344 4/1988 Pryor et al. D6/323
- 3,252,583 5/1966 Walther et al. 248/303

OTHER PUBLICATIONS

- Greenfield Metal Products, Aug. 1987, Utility Rack.
- Lee/Rowan Catalog, 8/11/87, No. 2400W, Over Door Utility Hook.
- Lee/Rowan Catalog, 8/11/87, No. 60742, Four Hook Storage Hook.

Selfix Catalog, 1987, Hook Racks, bottom of page.

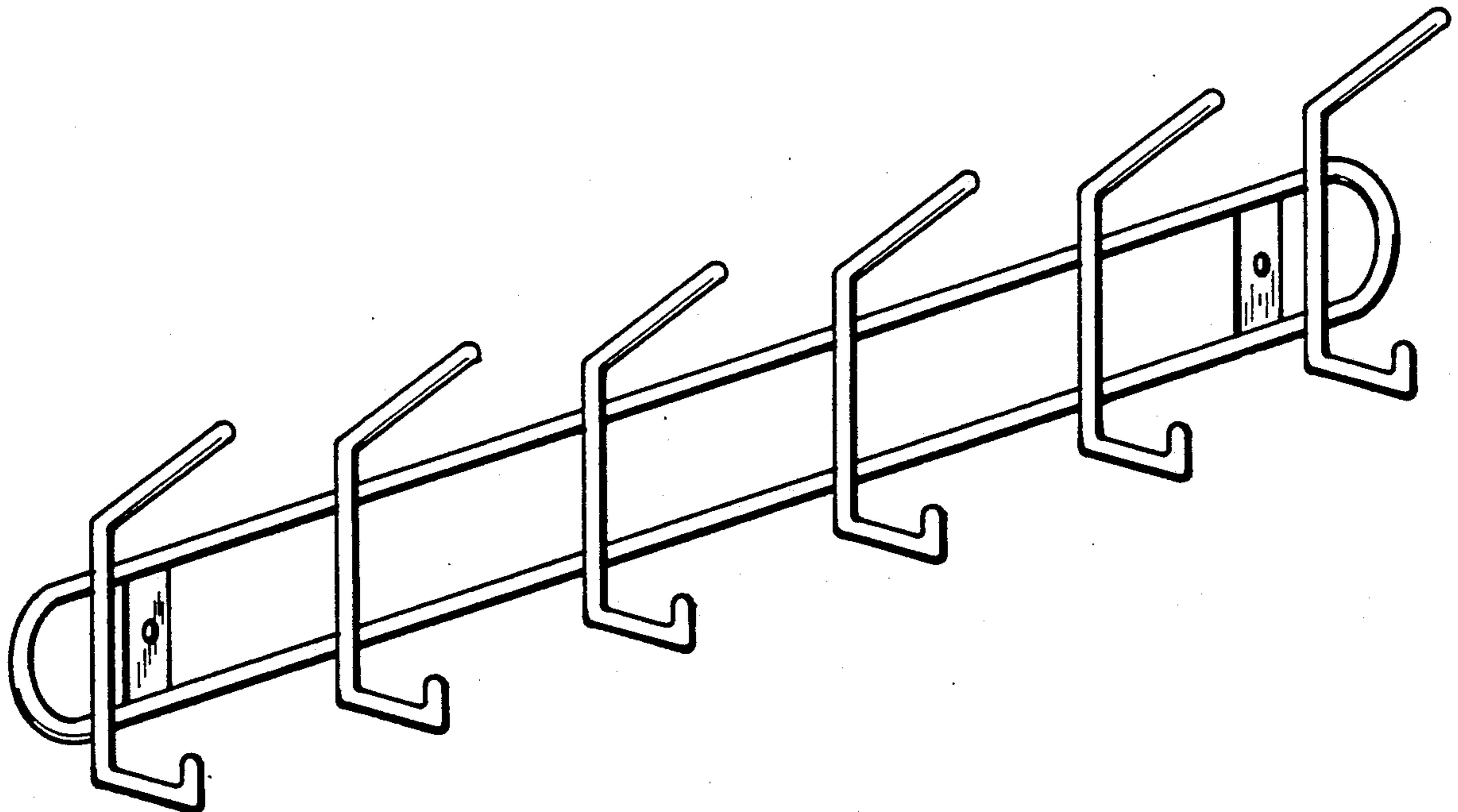
Primary Examiner—Bernard Ansher
Assistant Examiner—Philip Hyder
Attorney, Agent, or Firm—Pearne, Gordon, McCoy & Granger

[57] **CLAIM**

The ornamental design for a hook rack unit, as shown.

DESCRIPTION

FIG. 1 is a perspective view of a hook rack showing our new design;
 FIG. 2 is a front elevational view thereof;
 FIG. 3 is a top plan view thereof;
 FIG. 4 is a right side elevational view thereof, the left side view being a mirror image;
 FIG. 5 is a rear elevational view thereof;
 FIG. 6 is a bottom plan view thereof;
 FIG. 7 is a perspective view of a second embodiment thereof;
 FIG. 8 is a front elevational view of FIG. 7;
 FIG. 9 is a top plan view thereof;
 FIG. 10 is a right side elevational view thereof, the left side view being a mirror image;
 FIG. 11 is a rear elevational view thereof; and,
 FIG. 12 is a bottom plan view thereof.



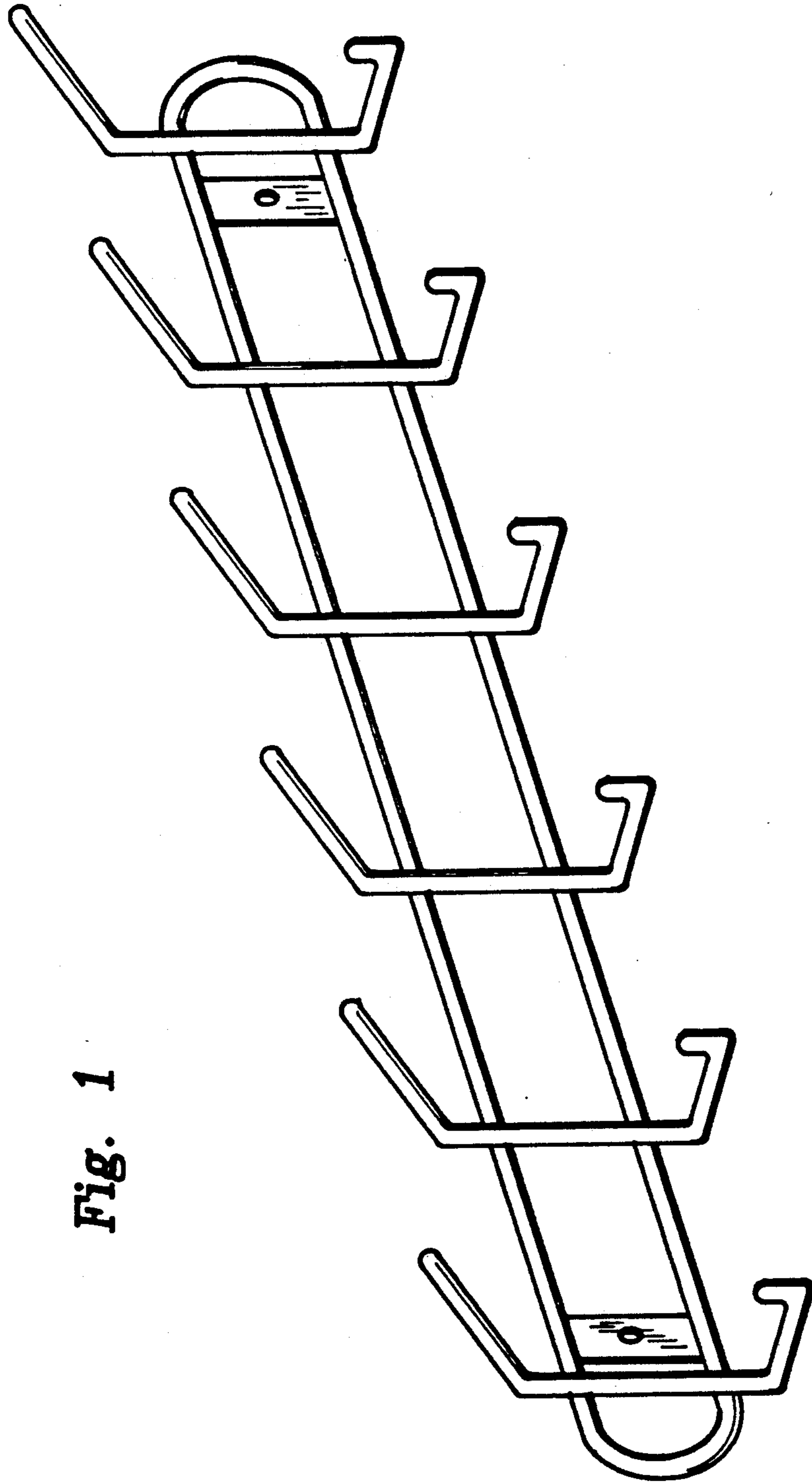


Fig. 1

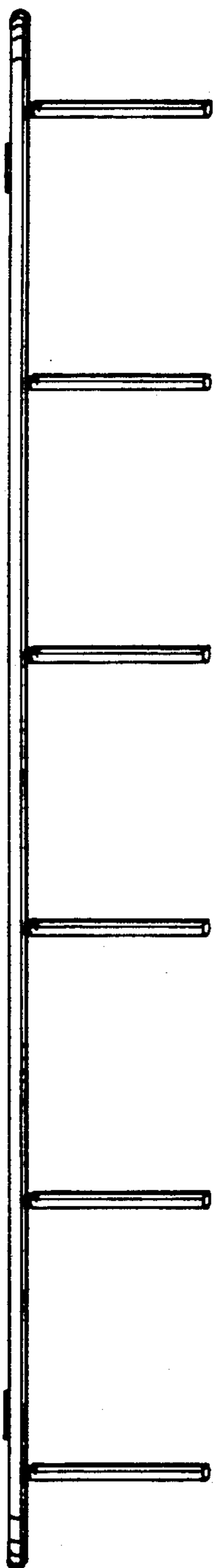


Fig. 3

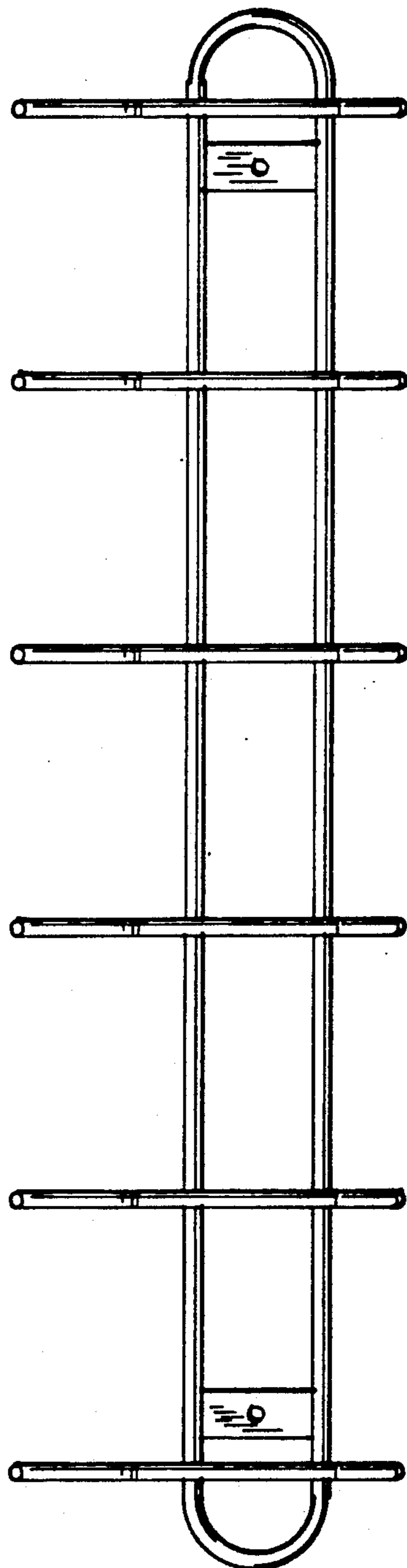


Fig. 2

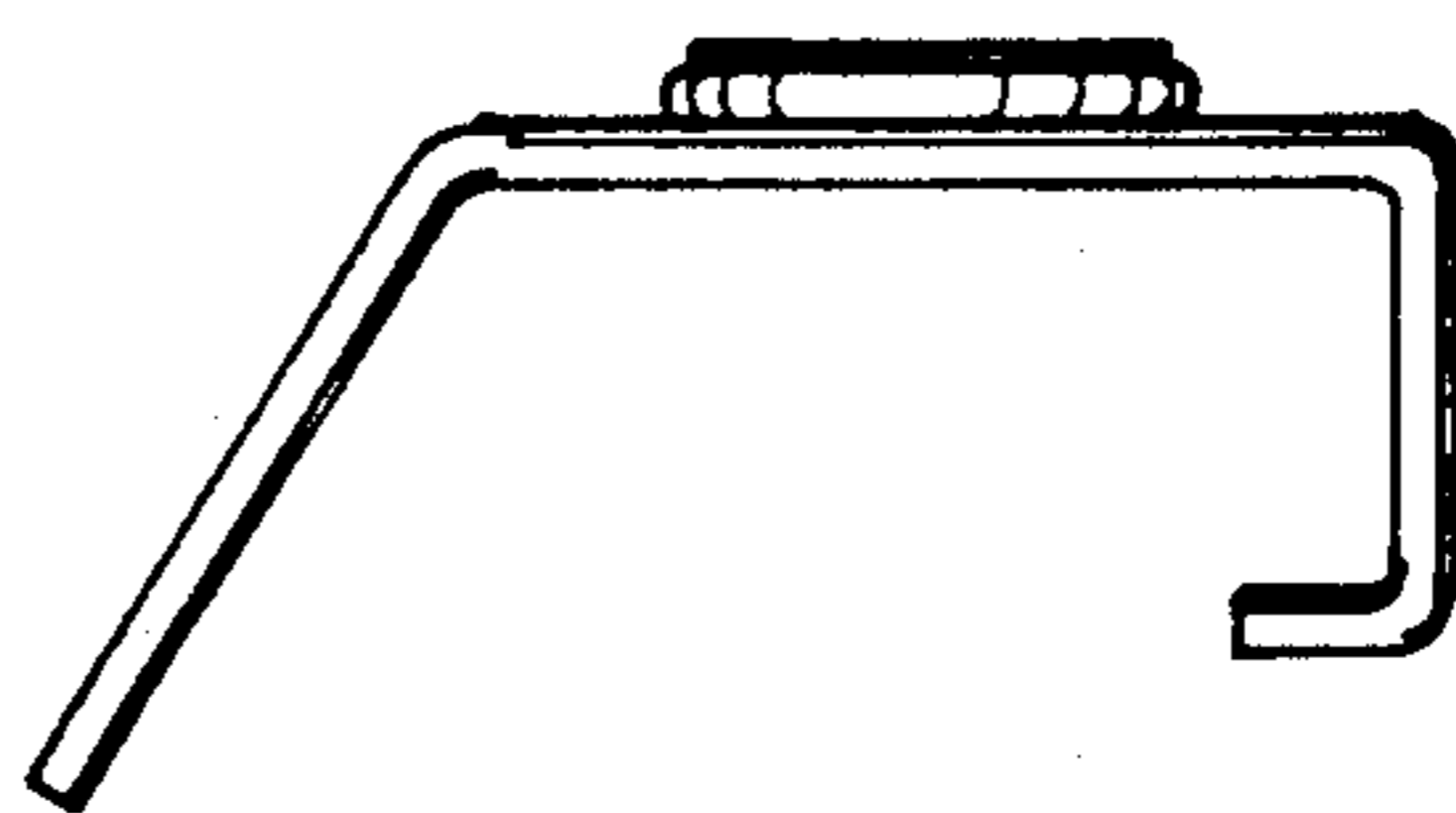


Fig. 4

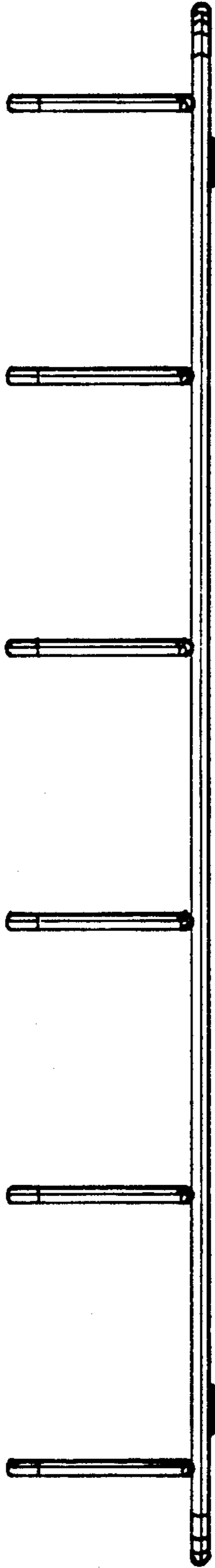


Fig. 6

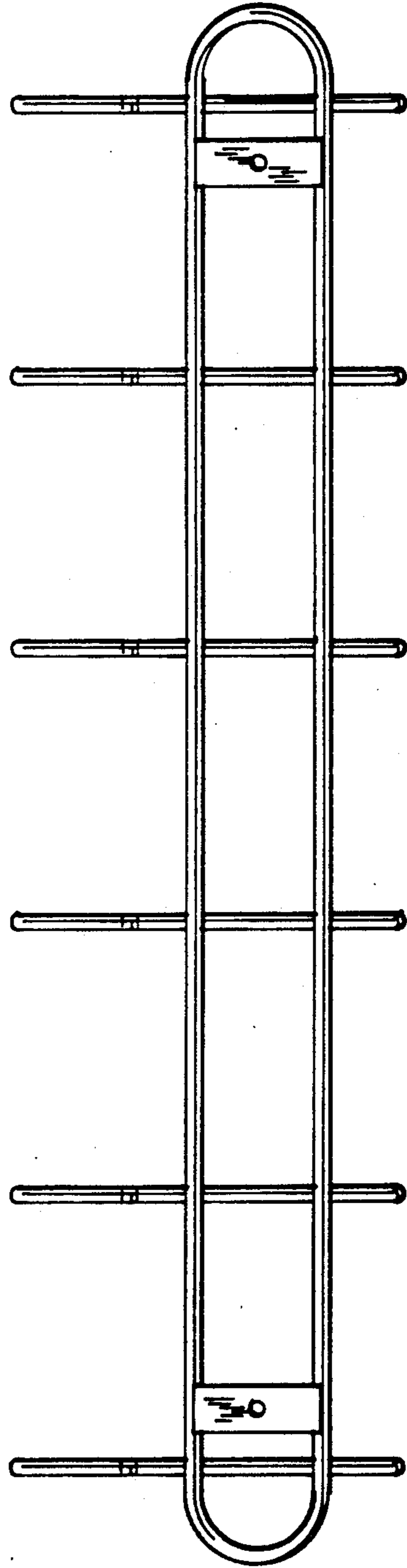


Fig. 5

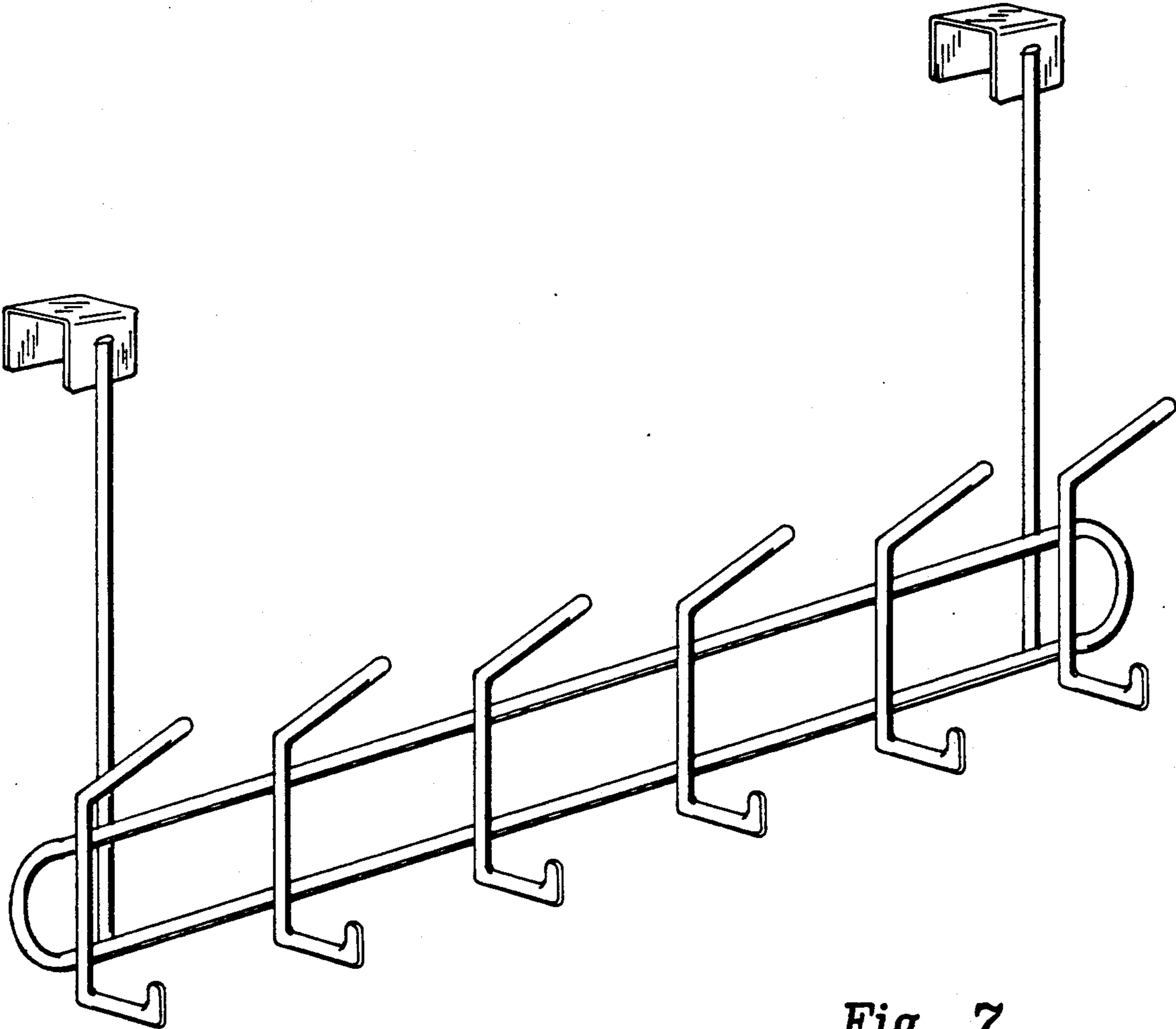


Fig. 7

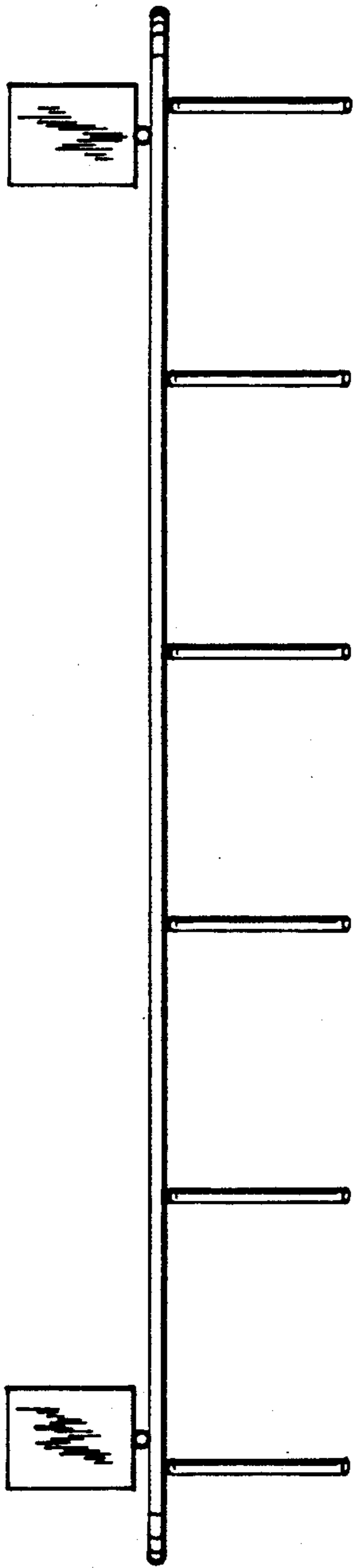


Fig. 9

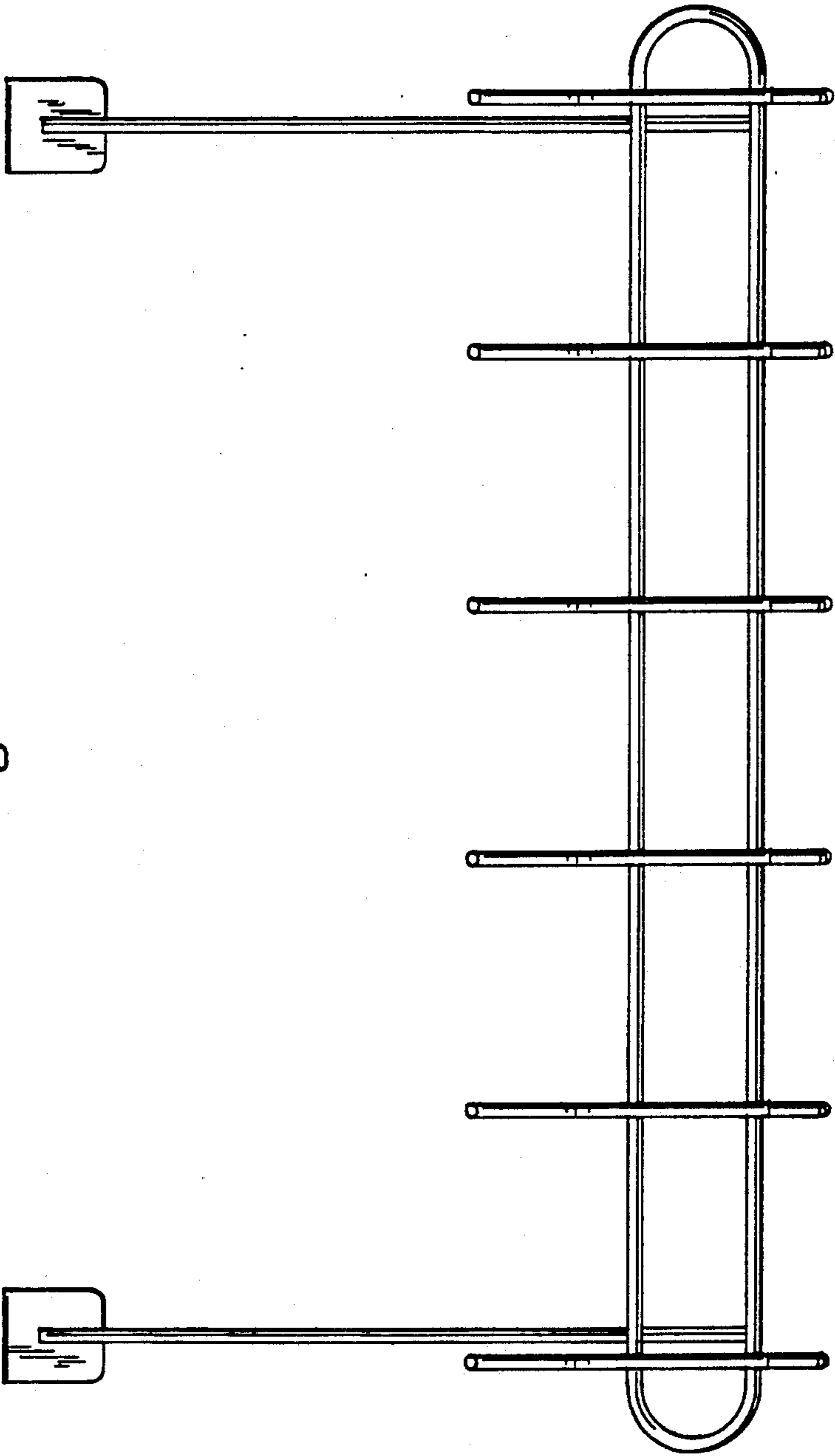


Fig. 8

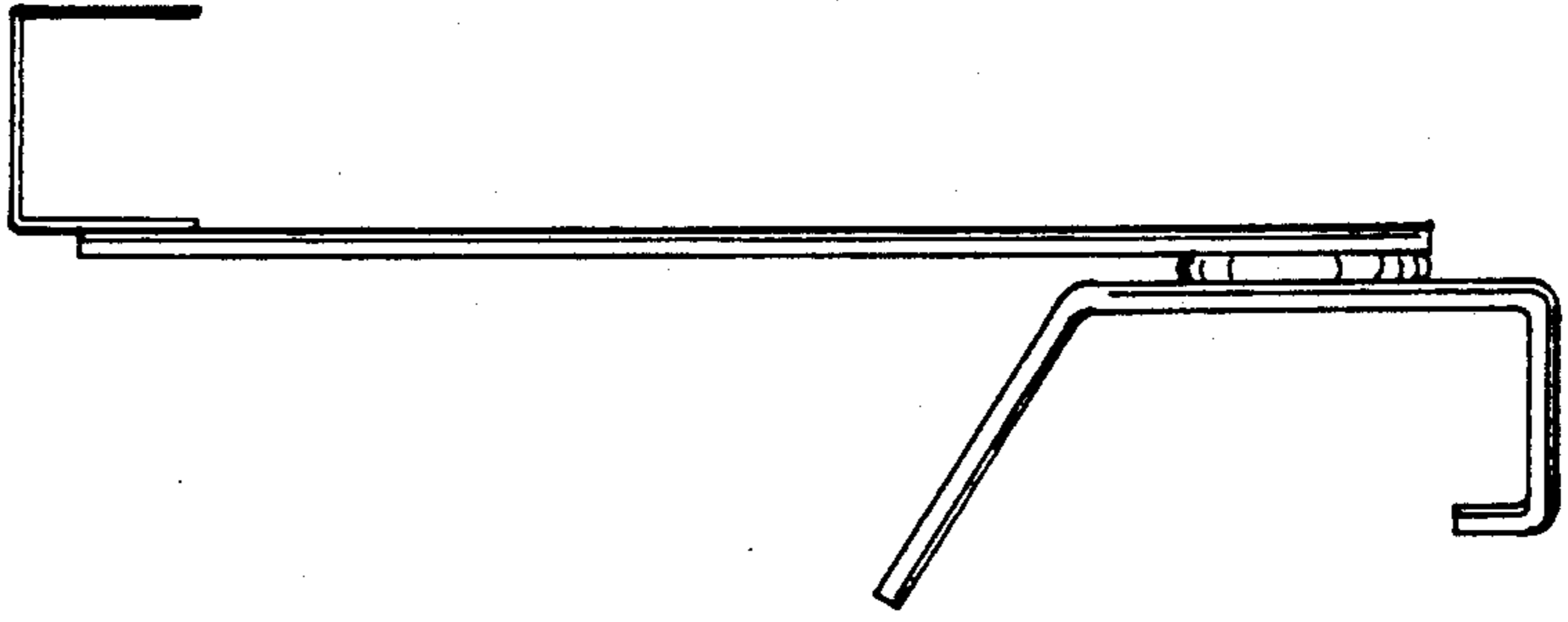


Fig. 10

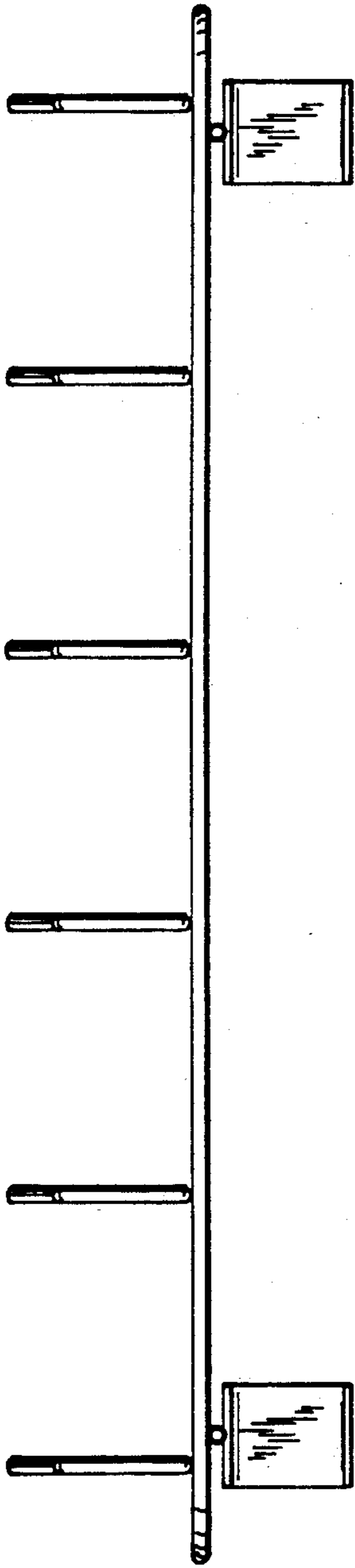


Fig. 12

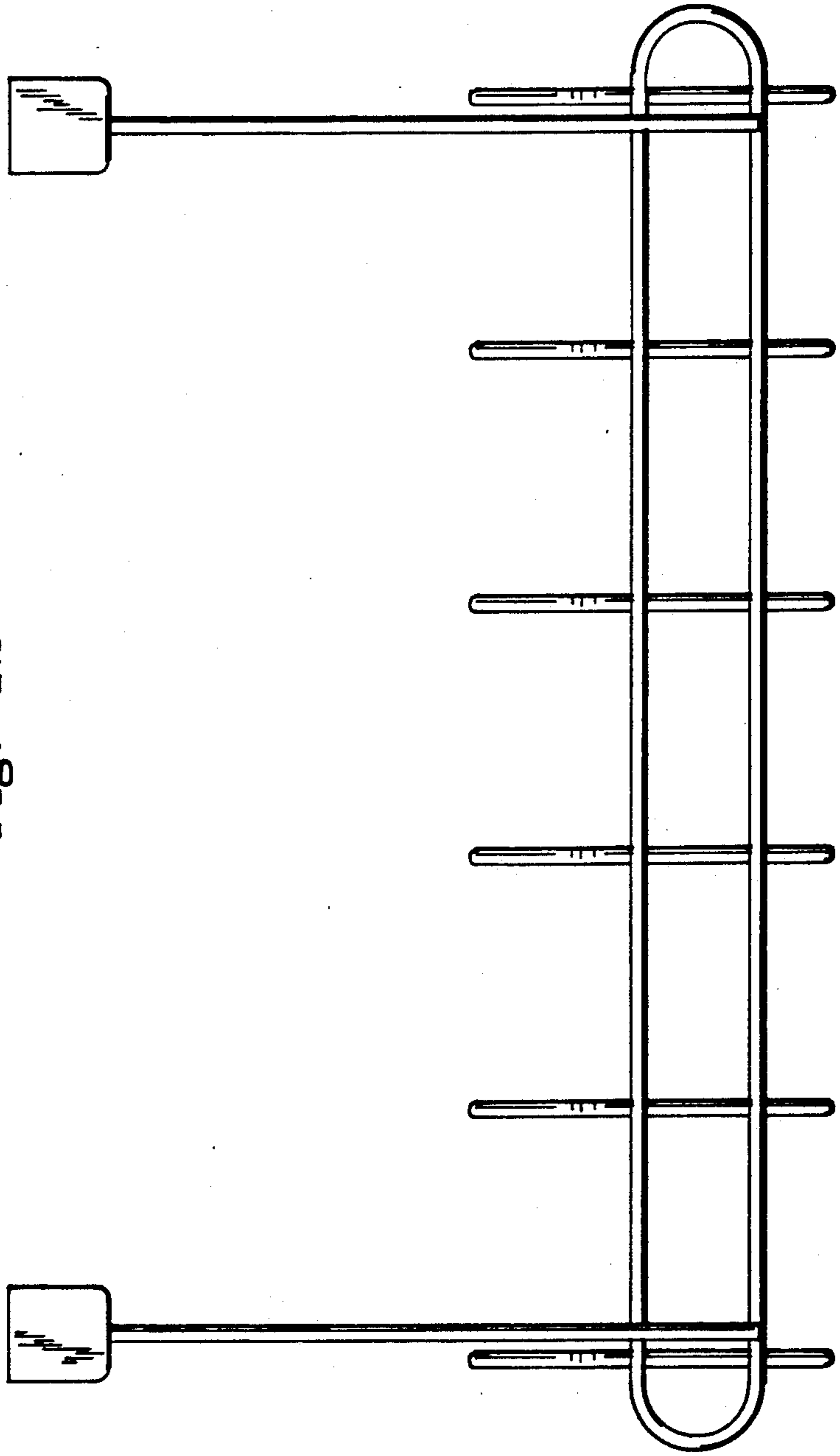


Fig. 11