



US00D324777S

United States Patent [19]

[11] Patent Number: **Des. 324,777**

Vangen

[45] Date of Patent: **** Mar. 24, 1992**

[54] **HAIRBRUSH FOR ATTACHMENT TO A MOUSSE DISPENSING CONTAINER OR THE LIKE**

4,938,621 7/1990 Pyrozyk 401/289
5,000,199 3/1991 Kuranski et al. 132/112

[76] Inventor: **Jerry L. Vangen**, 3710 336th SW., Federal Way, Wash. 98003

Primary Examiner—Wallace R. Burke
Assistant Examiner—Lavone D. Tabor
Attorney, Agent, or Firm—Leon Gilden

[**] Term: **14 Years**

[57] **CLAIM**

[21] Appl. No.: **359,937**

The ornamental design for a hairbrush for attachment to a mousse dispensing container or the like, as shown and described.

[22] Filed: **Jun. 1, 1989**

DESCRIPTION

[52] U.S. Cl. **D4/114; D4/116; D4/134**

[58] **Field of Search** D4/114, 116, 121, 129-130, D4/132-134, 136, 138, 199; D28/7, 9-10, 18, 25; D9/300, 337-338; 15/159 R, 159 A, 160; 132/112-116, 120, 212; 401/137-139, 268-291

FIG. 1 is a front elevational view of a hairbrush for attachment to a mousse dispensing container or the like showing my new design;

FIG. 2 is a rear elevational view thereof;

FIG. 3 is a left side elevational view thereof;

FIG. 4 is a right side elevational view thereof;

FIG. 5 is a top plan view thereof; and,

FIG. 6 is a bottom plan view thereof.

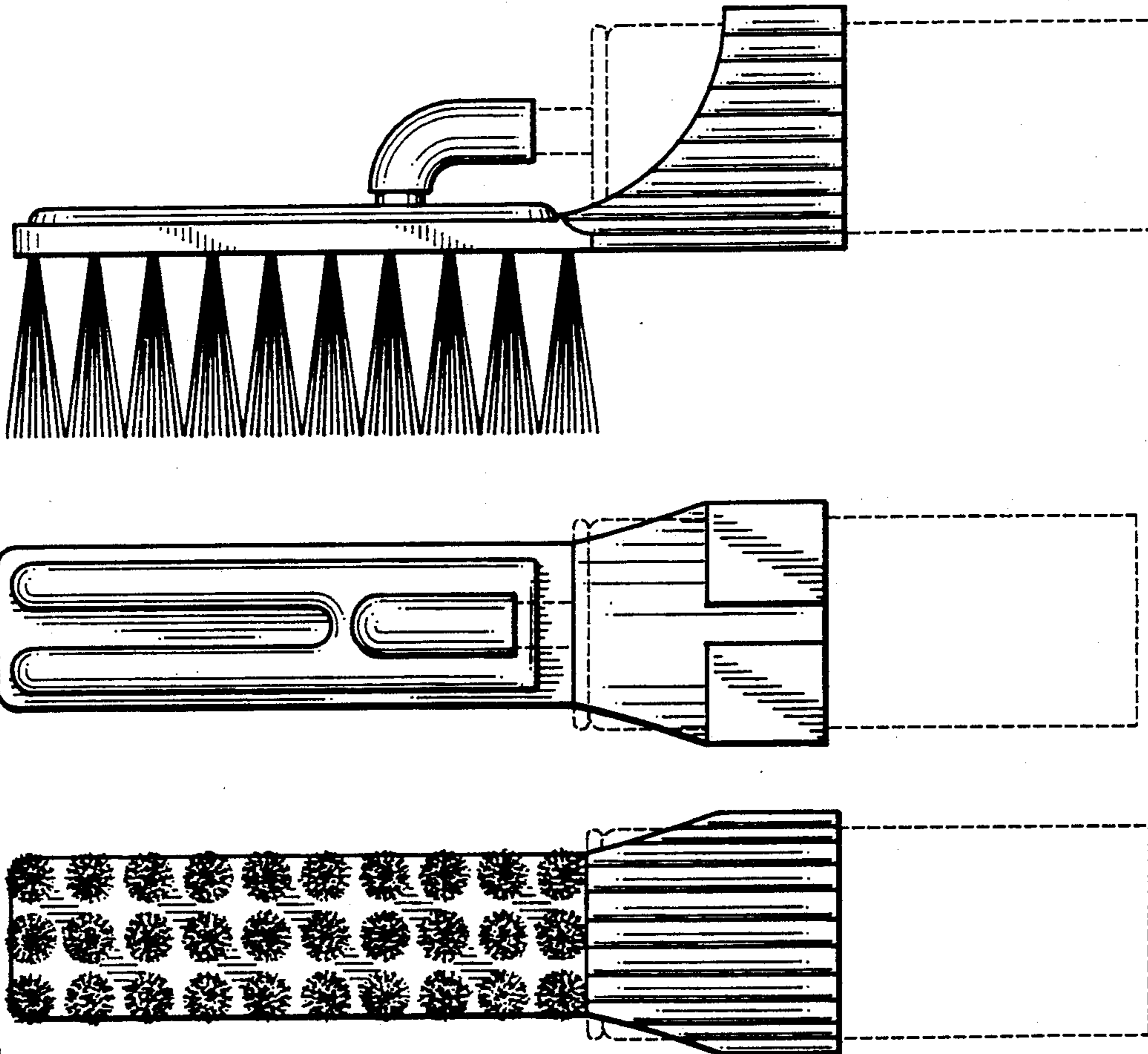
[56] **References Cited**

U.S. PATENT DOCUMENTS

- D. 228,696 10/1973 Bluestein D28/18 X
- D. 252,220 6/1979 Vitetta D28/18
- D. 275,712 9/1984 Frey D28/18
- D. 309,529 7/1990 Kim D4/116
- 3,516,424 6/1970 Eagle 401/139 X

The broken line showing of a dispensing container is for illustrative purposes only and forms no part of the claimed design.

The inside of the holder portion of the hair brush is smooth and unornamented.



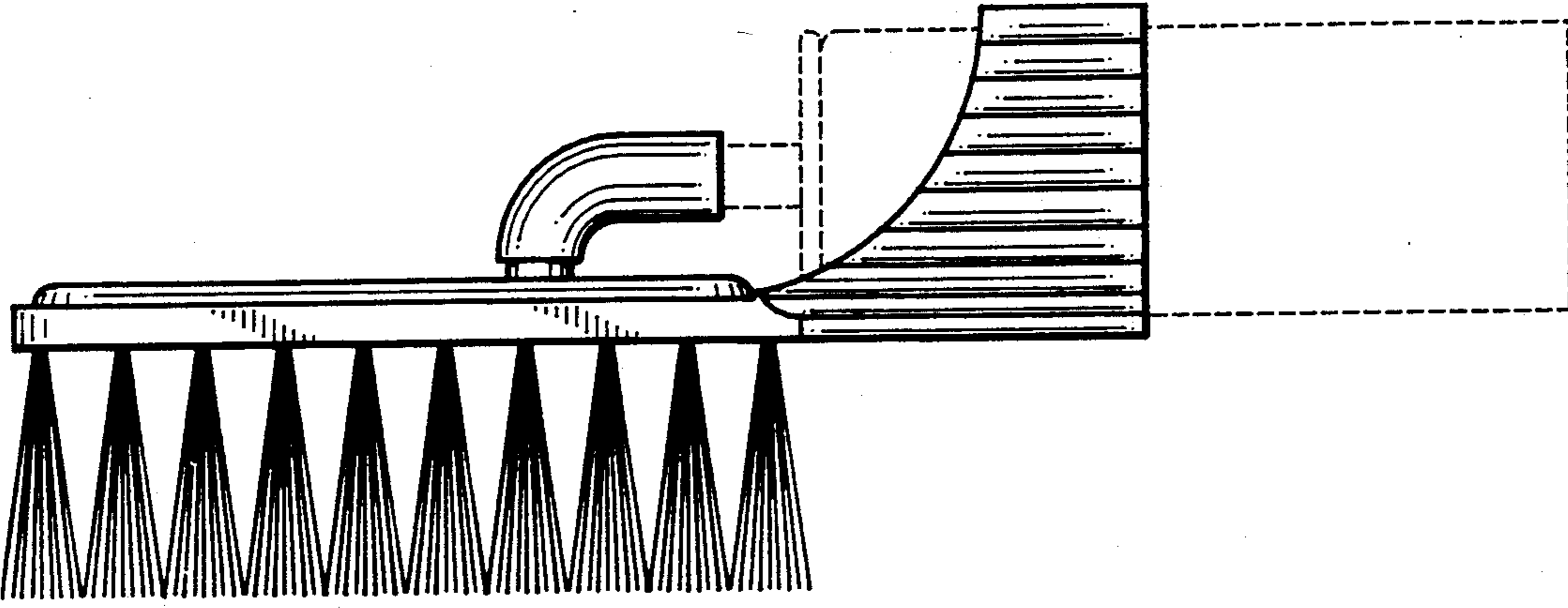


Fig. 1

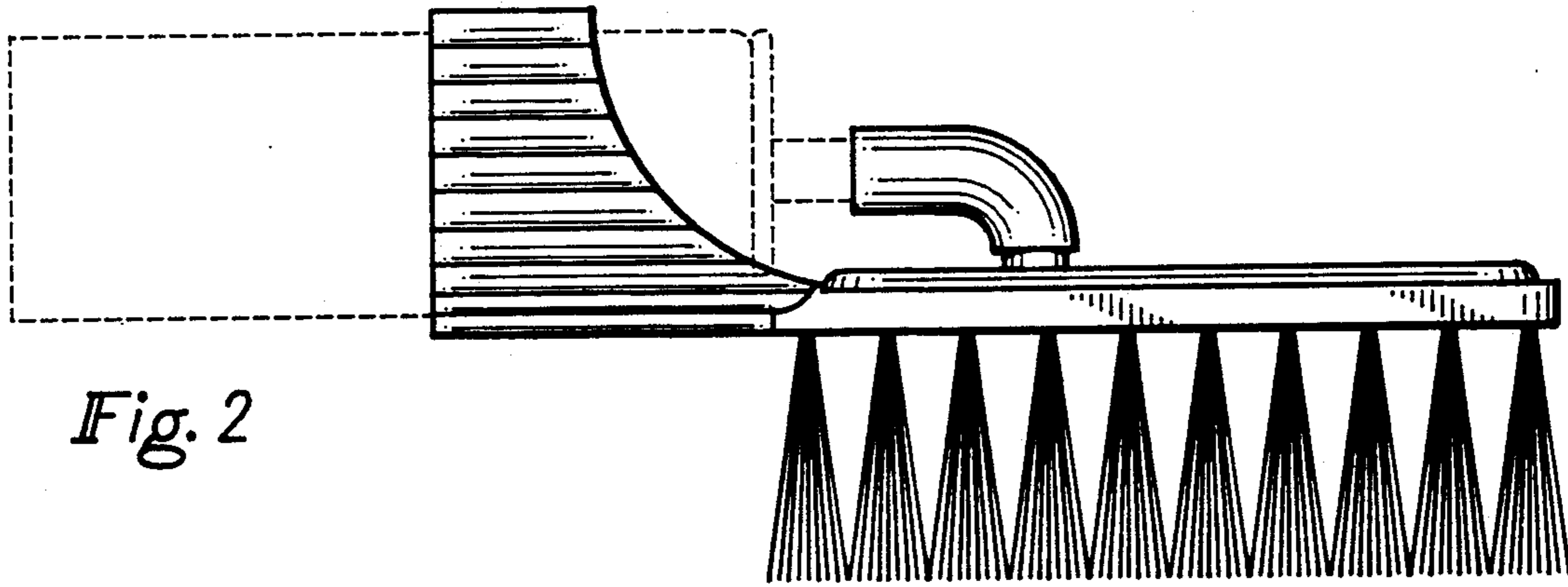


Fig. 2

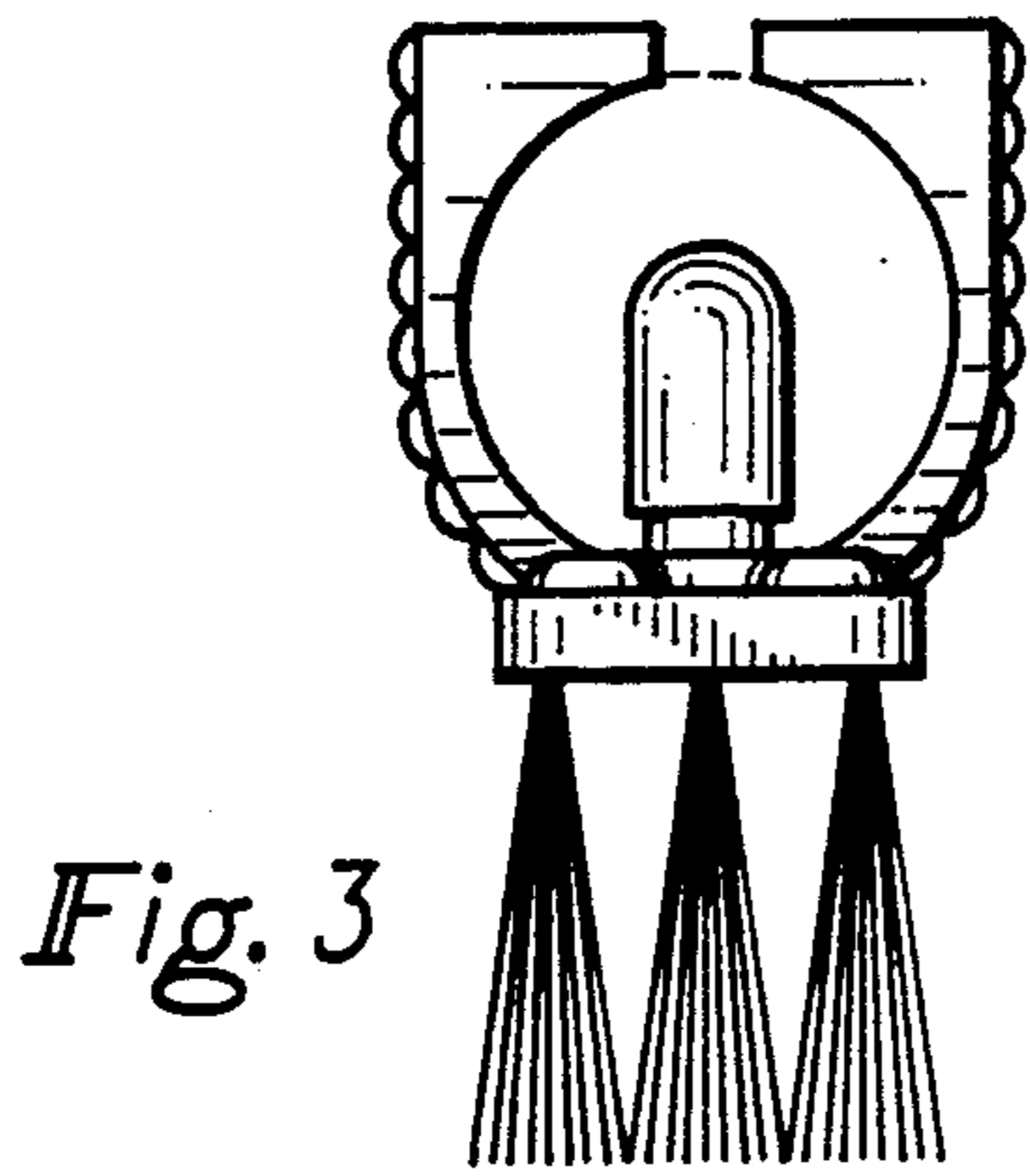


Fig. 3

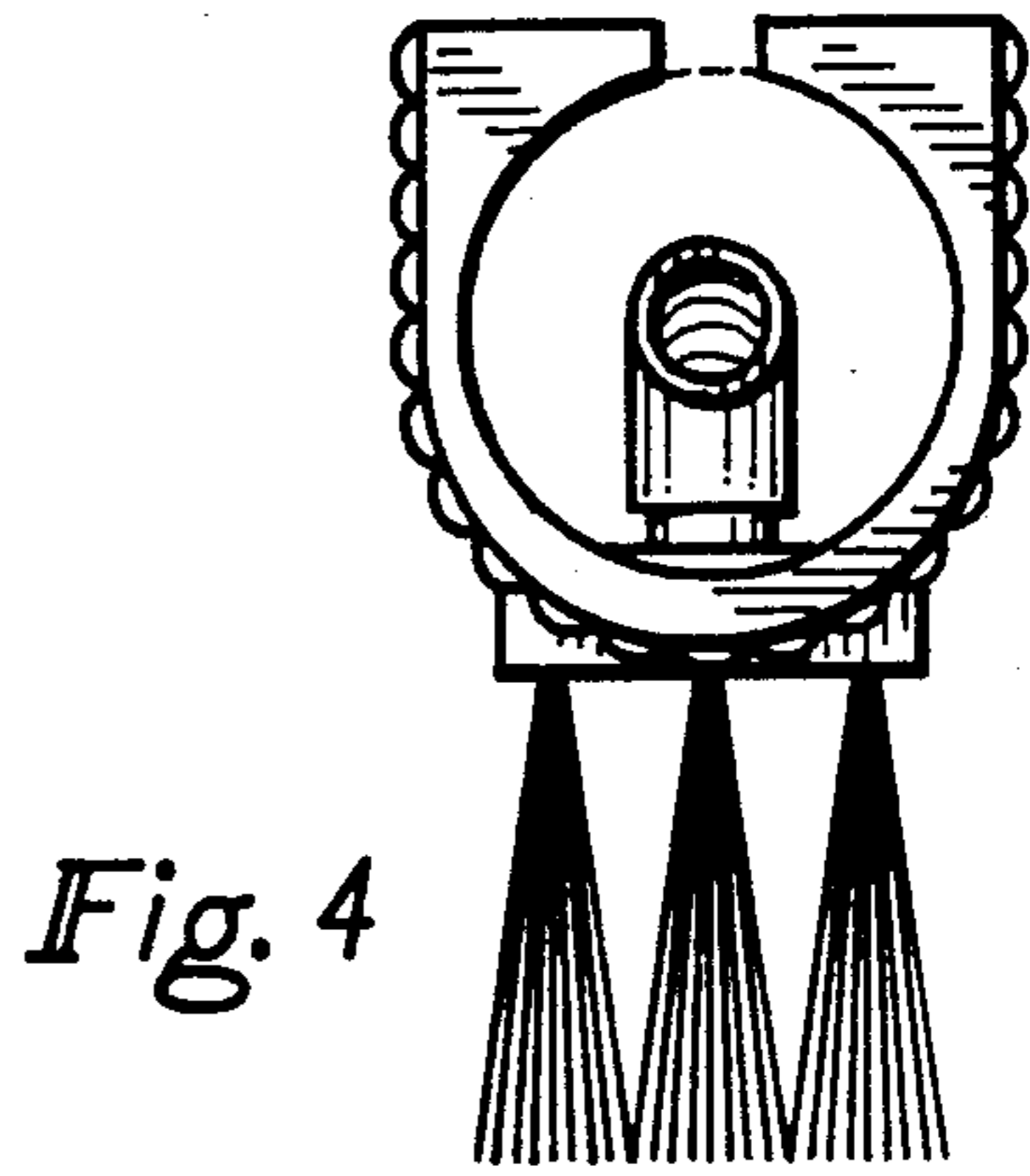


Fig. 4

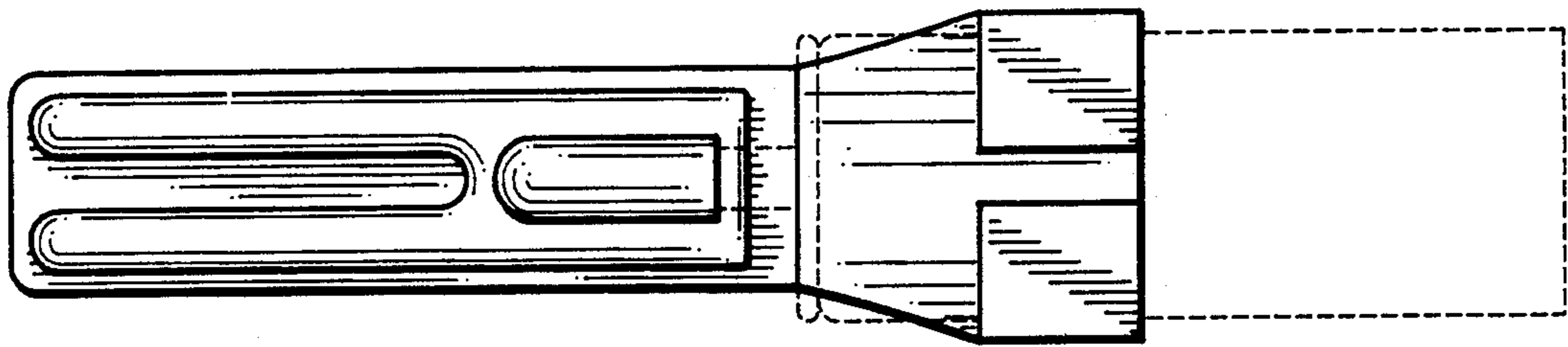


Fig. 5

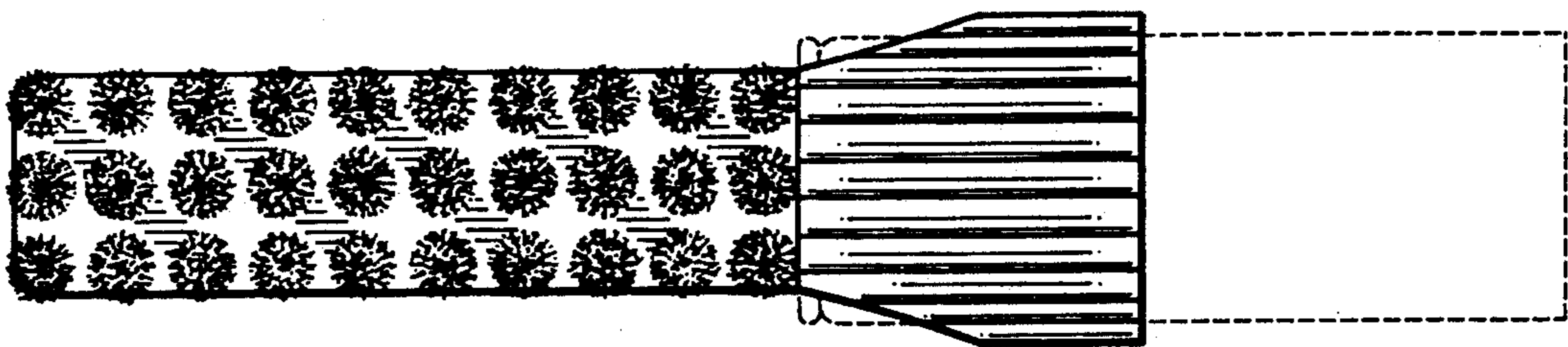


Fig. 6