



US00D324767S

United States Patent [19]

Ozeki

[11] Patent Number: **Des. 324,767**

[45] Date of Patent: **** Mar. 24, 1992**

[54] **FILE SHEET FOR COMPACT DISCS**

[75] Inventor: **Jiro Ozeki, Tokyo, Japan**

[73] Assignee: **Slidex Corporation, Tokyo, Japan**

[*] Notice: The portion of the term of this patent subsequent to Feb. 18, 2006 has been disclaimed.

[**] Term: **14 Years**

[21] Appl. No.: **430,617**

[22] Filed: **Oct. 31, 1989**

[30] **Foreign Application Priority Data**

Jun. 19, 1989 [JP] Japan DES 1-22341

[52] U.S. Cl. **D3/35**

[58] Field of Search D3/30.1, 35; D6/300, D6/310, 314; D19/27, 32, 33; 40/158.1, 159, 159.2, 537; 206/44, 45.18, 45.2, 45.21, 45.24, 45.25, 45.26, 45.31, 309, 310, 311, 312, 313, 425, 444, 493; 281/38

[56] **References Cited**

U.S. PATENT DOCUMENTS

D. 229,122 11/1973 Price D3/35

D. 238,110	12/1975	Shyers	D3/35
D. 294,430	3/1988	Tell	D3/35
D. 307,076	4/1990	Ozeki	D3/35
D. 307,513	5/1990	Ozeki	D3/35
3,277,598	10/1966	Lightburn	40/159.2
4,236,635	12/1980	Namiki	40/159.2
4,691,826	9/1987	Ozeki	206/444
4,724,956	2/1988	Ozeki	206/444
4,884,691	12/1989	Behrens et al.	206/444

Primary Examiner—A. Hugo Word
Assistant Examiner—Celia A. Murphy
Attorney, Agent, or Firm—Fleit, Jacobson, Cohn, Price, Holman & Stern

[57] **CLAIM**

The ornamental design for a file sheet for compact discs, as shown and described.

DESCRIPTION

FIG. 1 is a perspective view of a file sheet for compact discs showing my new design;
FIG. 2 is a rear elevational view thereof;
FIG. 3 is a bottom plan view thereof;
FIG. 4 is a top plan view thereof, rotated 180 degrees counter clockwise;
FIG. 5 is a right side elevational view thereof; and,
FIG. 6 is a left side elevational view thereof.

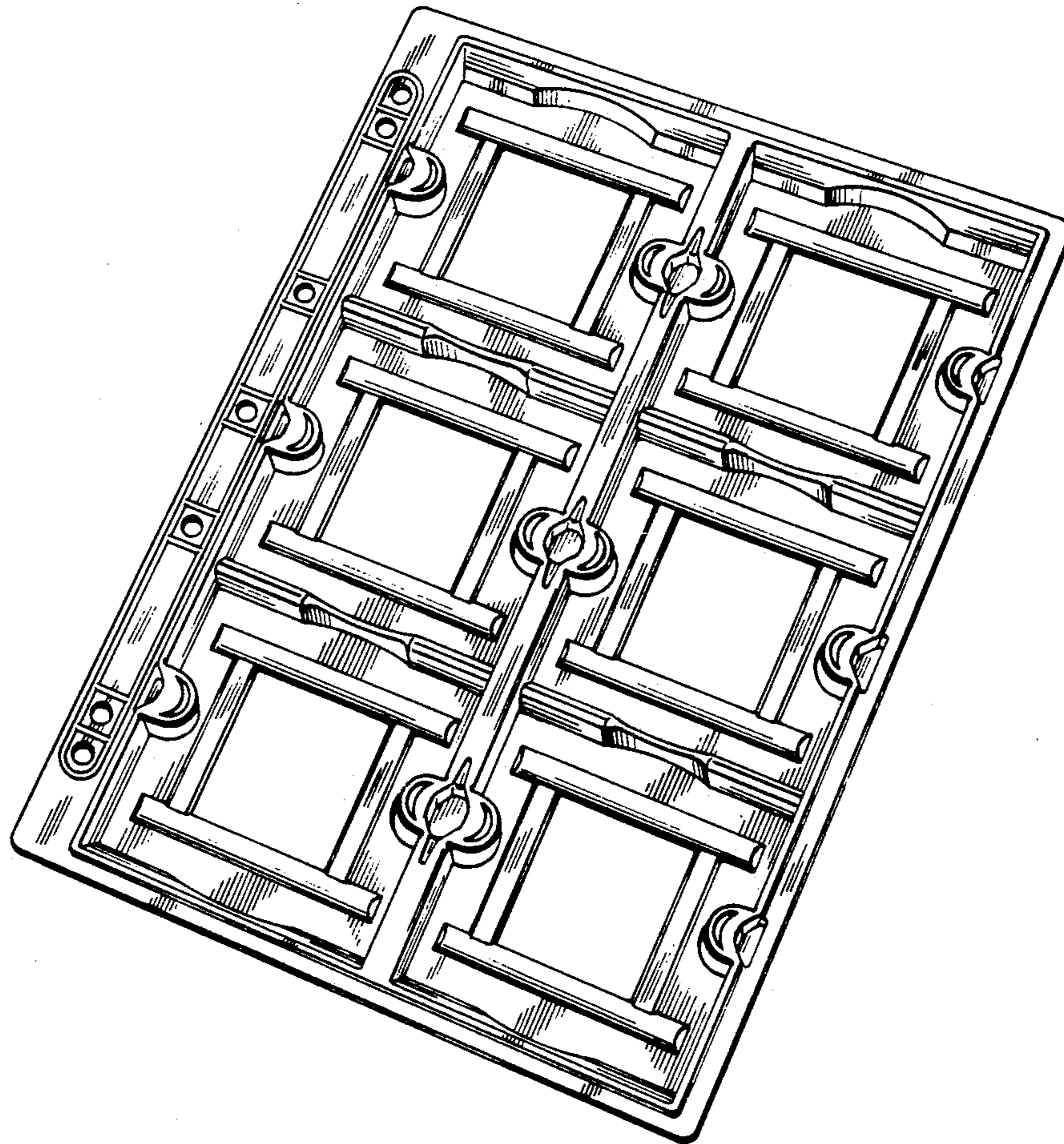
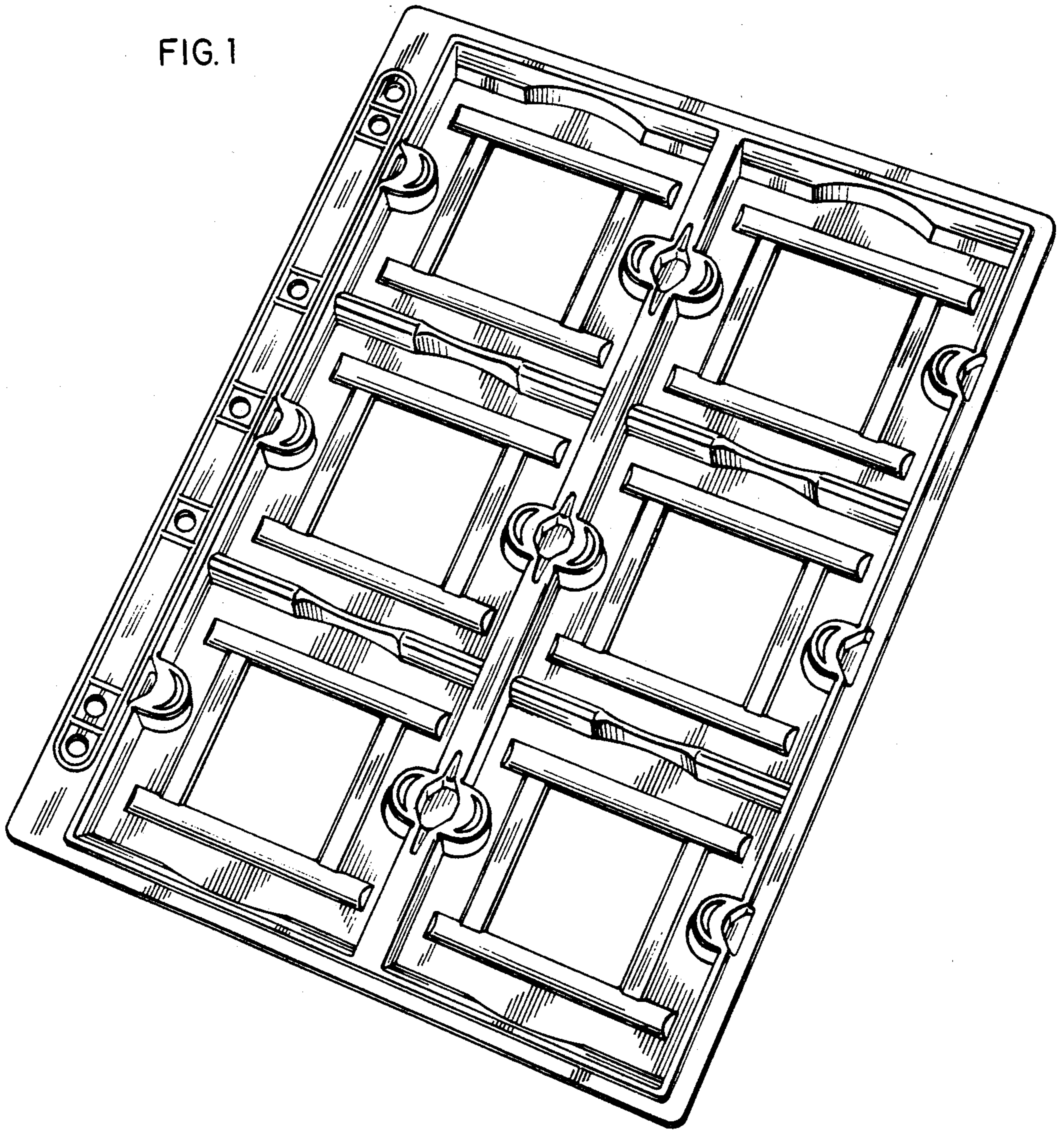


FIG. 1



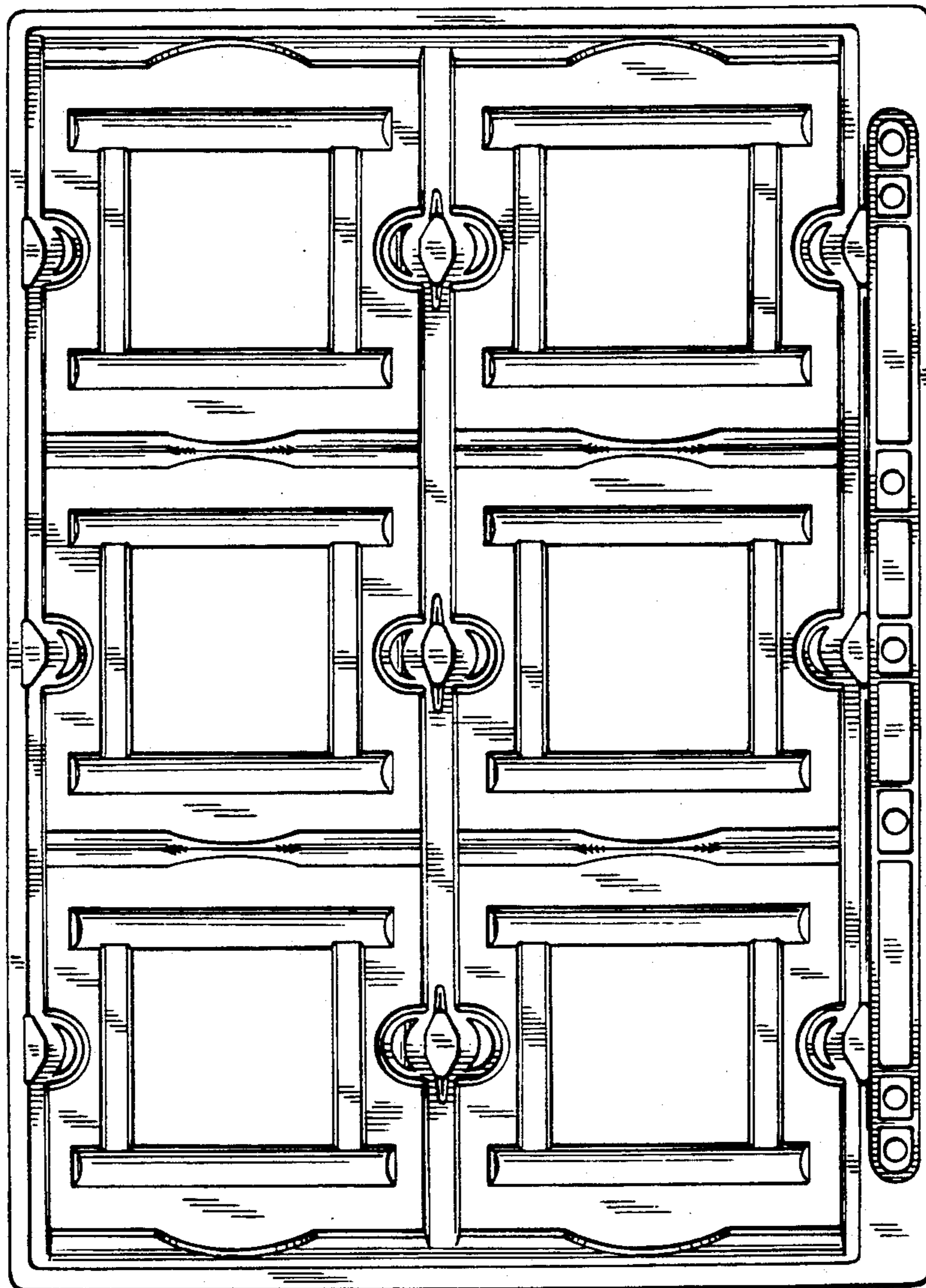


FIG. 2

FIG. 3



FIG. 4



FIG. 5



FIG. 6

