



US00D324748S

United States Patent [19]

[11] Patent Number: **Des. 324,748**

Bagamery

[45] Date of Patent: **** Mar. 17, 1992**

[54] **BAG HOLDER**

4,840,336 6/1989 Stroh et al. D34/5

[76] Inventor: **Alan K. Bagamery**, 490 SW. Airoso Blvd., Port St. Lucie, Fla. 34983

*Primary Examiner—Kay H. Chin
Attorney, Agent, or Firm—Leon Gilden*

[**] Term: **14 Years**

[57] **CLAIM**

[21] Appl. No.: **631,045**

The ornamental design for a bag holder, as shown and described.

[22] Filed: **Dec. 20, 1990**

DESCRIPTION

[52] U.S. Cl. **D34/5; D6/566**

FIG. 1 is a front elevational view of the bag holder showing my new design;

[58] Field of Search **D34/1, 5, 6; 248/95, 248/97, 98, 99, 100, 101; 220/908, 909, 404; D6/566**

FIG. 2 is a rear elevational view thereof;

FIG. 3 is a left side elevational view thereof;

FIG. 4 is a right side elevational view thereof;

FIG. 5 is a top plan view thereof;

FIG. 6 is a bottom plan view thereof; and,

FIG. 7 is a top and front perspective view thereof, the broken lines are for illustrative purposes only and form no part of the claimed design.

[56] References Cited

U.S. PATENT DOCUMENTS

D. 264,651	6/1982	Adamson	D6/566
4,620,683	11/1986	Claydon et al.	248/97
4,623,111	11/1986	Prader	248/97

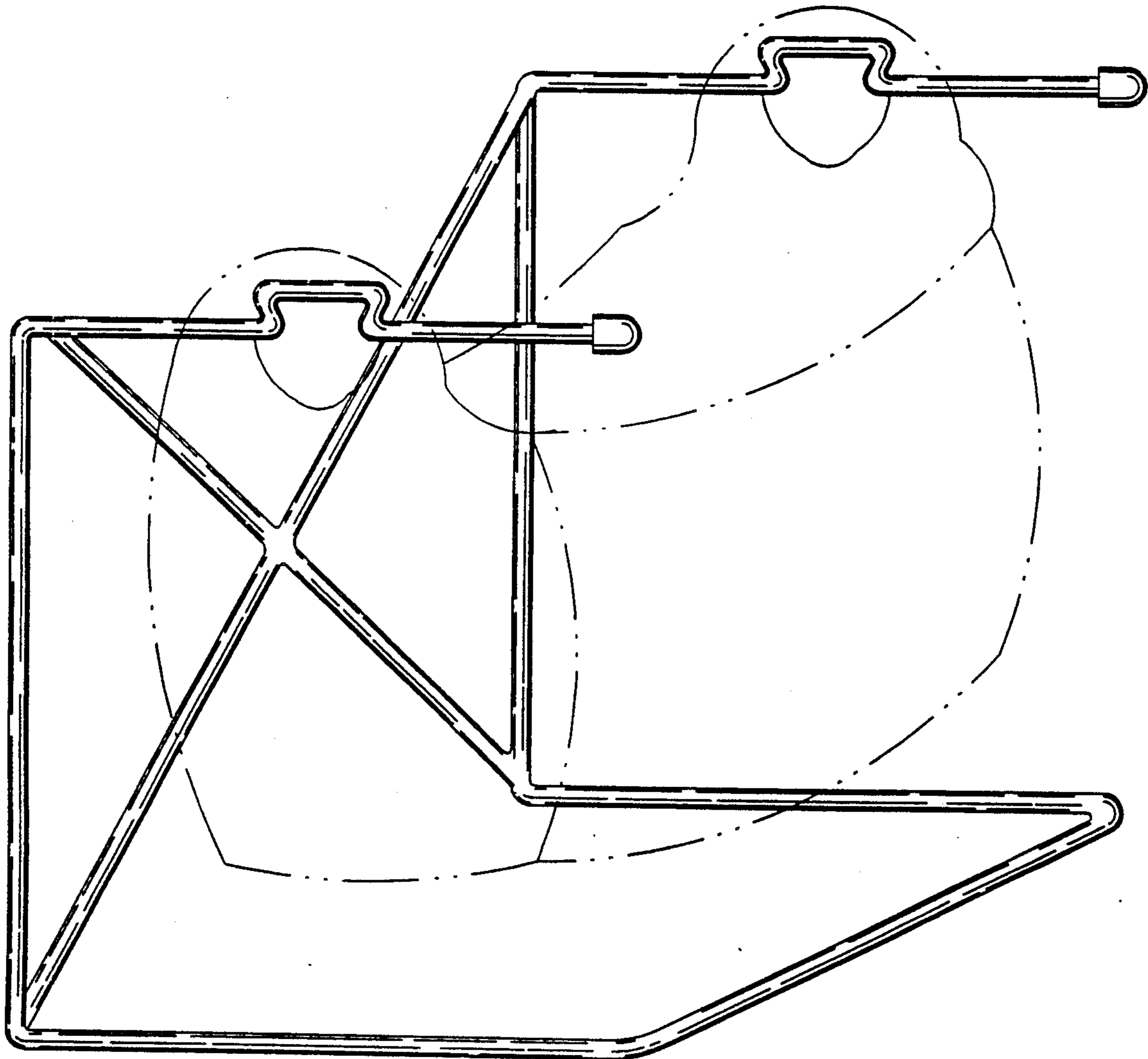


FIG. 1

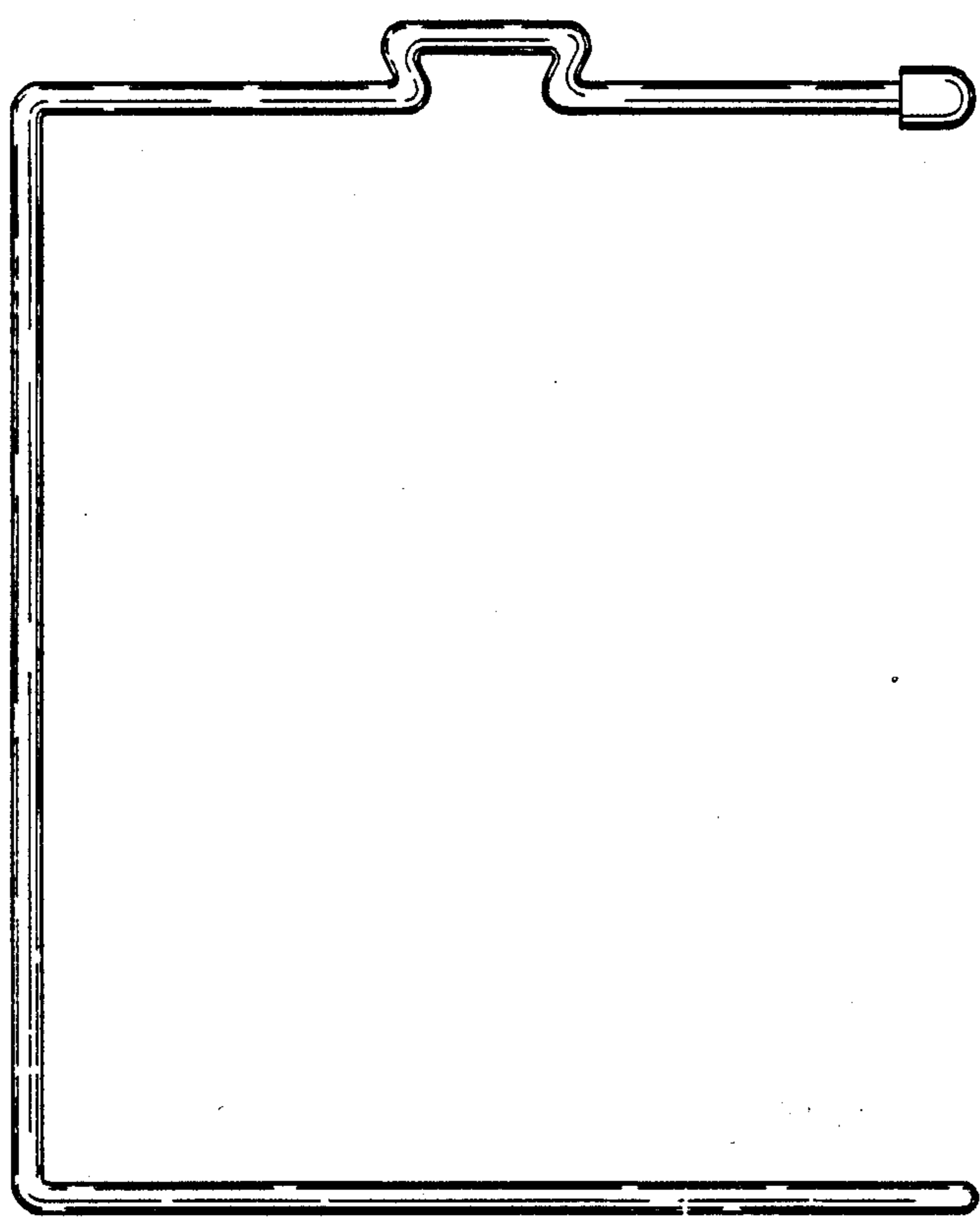


FIG. 2

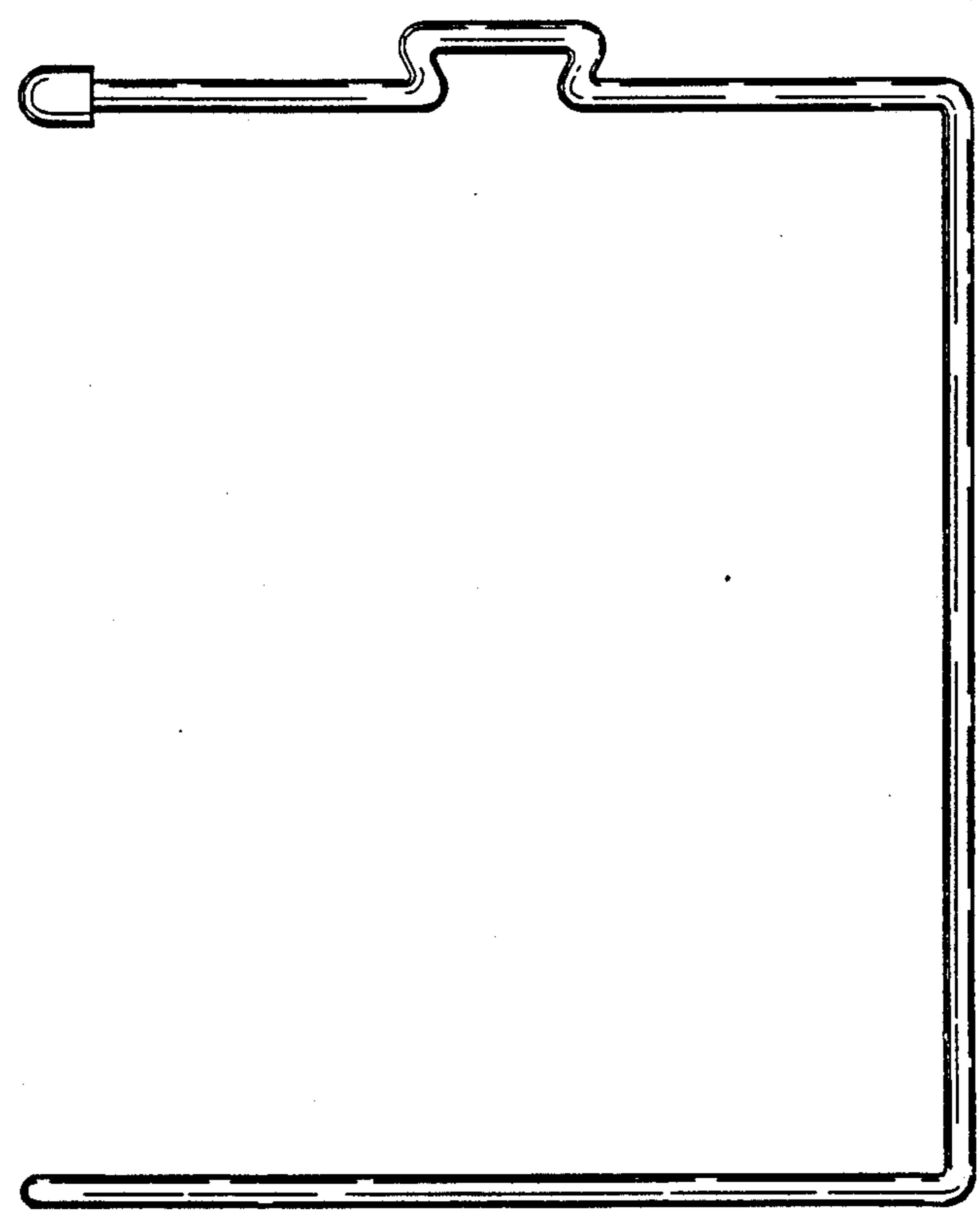


FIG. 3

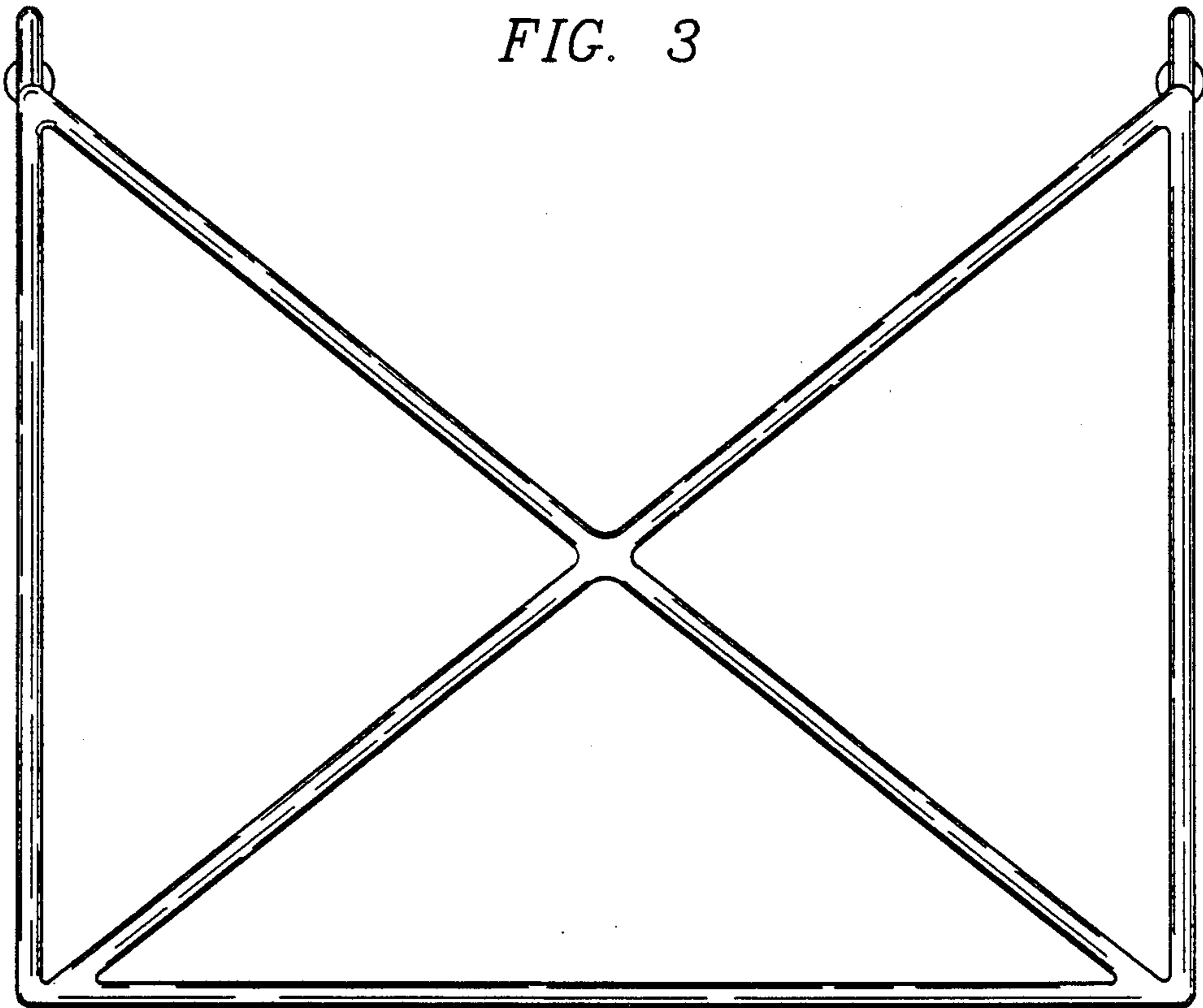


FIG. 4

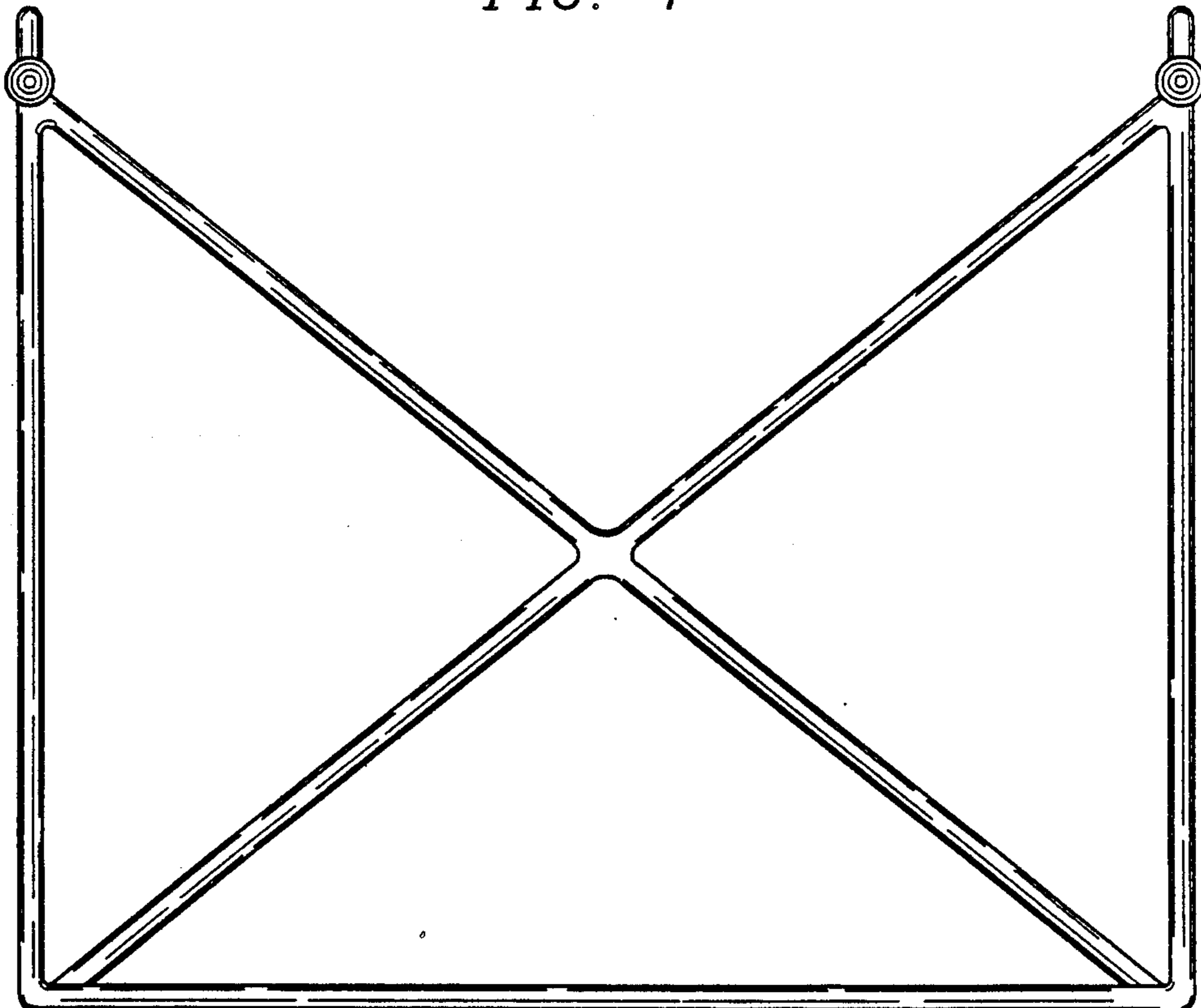


FIG. 5

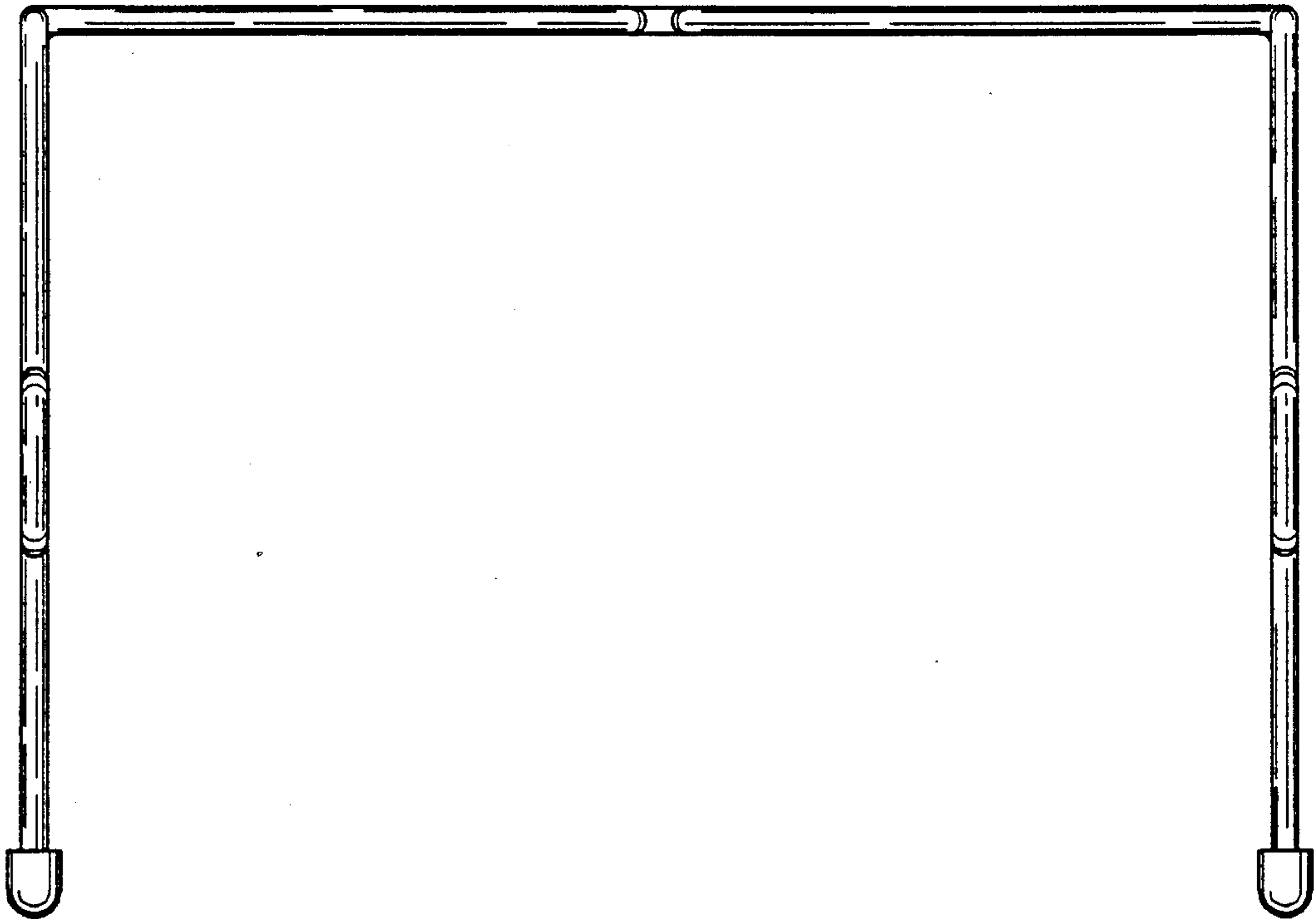


FIG. 6

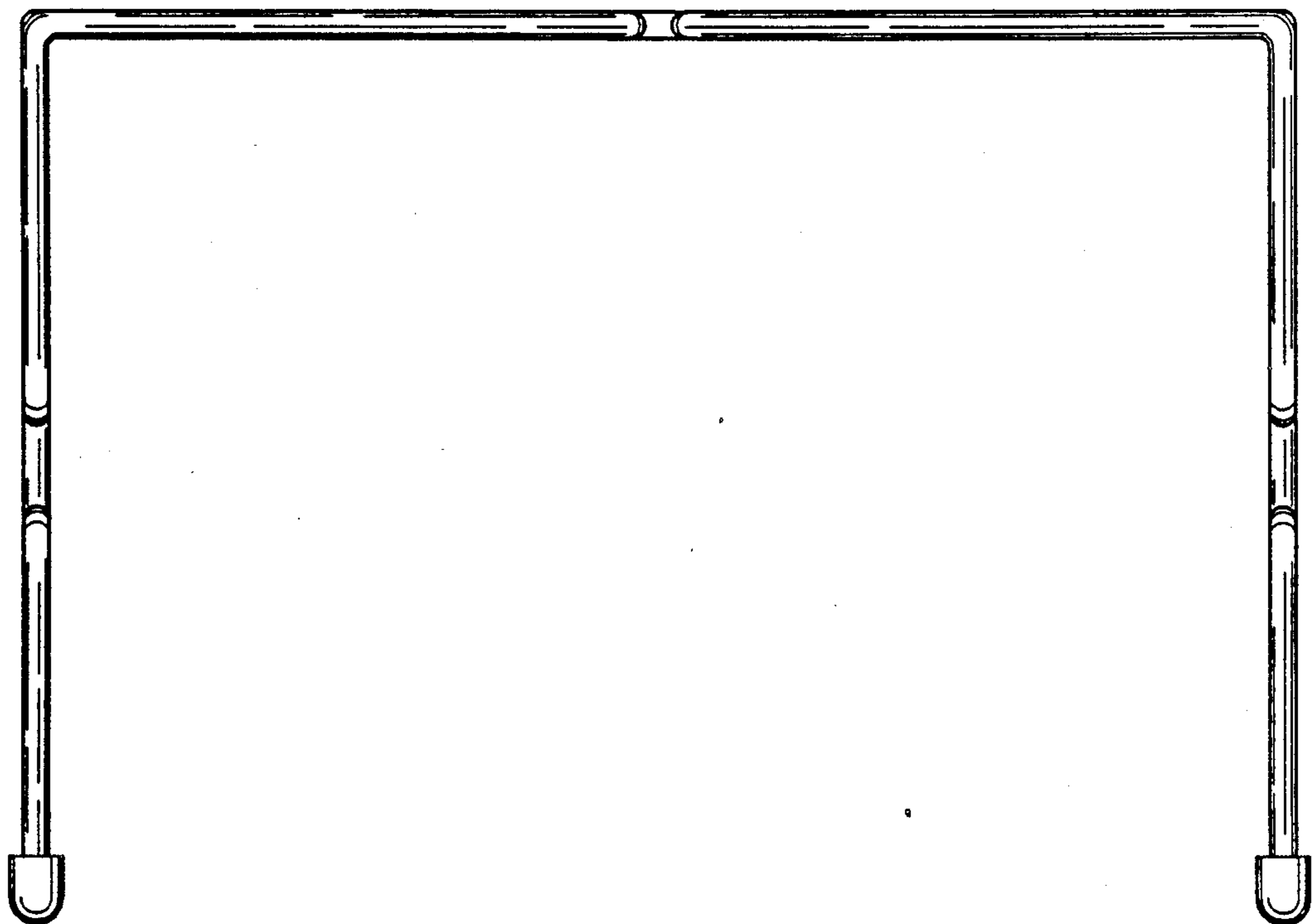


FIG. 7

