



US00D324747S

United States Patent [19]

[11] Patent Number: **Des. 324,747**

Rood

[45] Date of Patent: **** Mar. 17, 1992**

- [54] **BARBEQUE GRILL SCRAPER**
- [76] Inventor: **Brenda A. Rood, 537 Third St., SE.,
Valley City, N. Dak. 58072**
- [**] Term: **14 Years**
- [21] Appl. No.: **534,668**
- [22] Filed: **Jun. 7, 1990**
- [52] U.S. Cl. **D32/46**
- [58] Field of Search **D4/116, 118;
D7/649-652, 688, 696; D8/14, 16, 45, 90;
D32/35, 40, 46-49; 15/105, 111, 143 R,
236.01-236.09, 237; 30/164.6-164.9, 169,
171-172, 340, 342-344, 346**

4,471,985 9/1984 Mahoney 294/10
 4,848,816 7/1989 Anderson 294/7

Primary Examiner—Wallace R. Burke
Assistant Examiner—Lavone D. Tabor
Attorney, Agent, or Firm—Henderson & Sturm

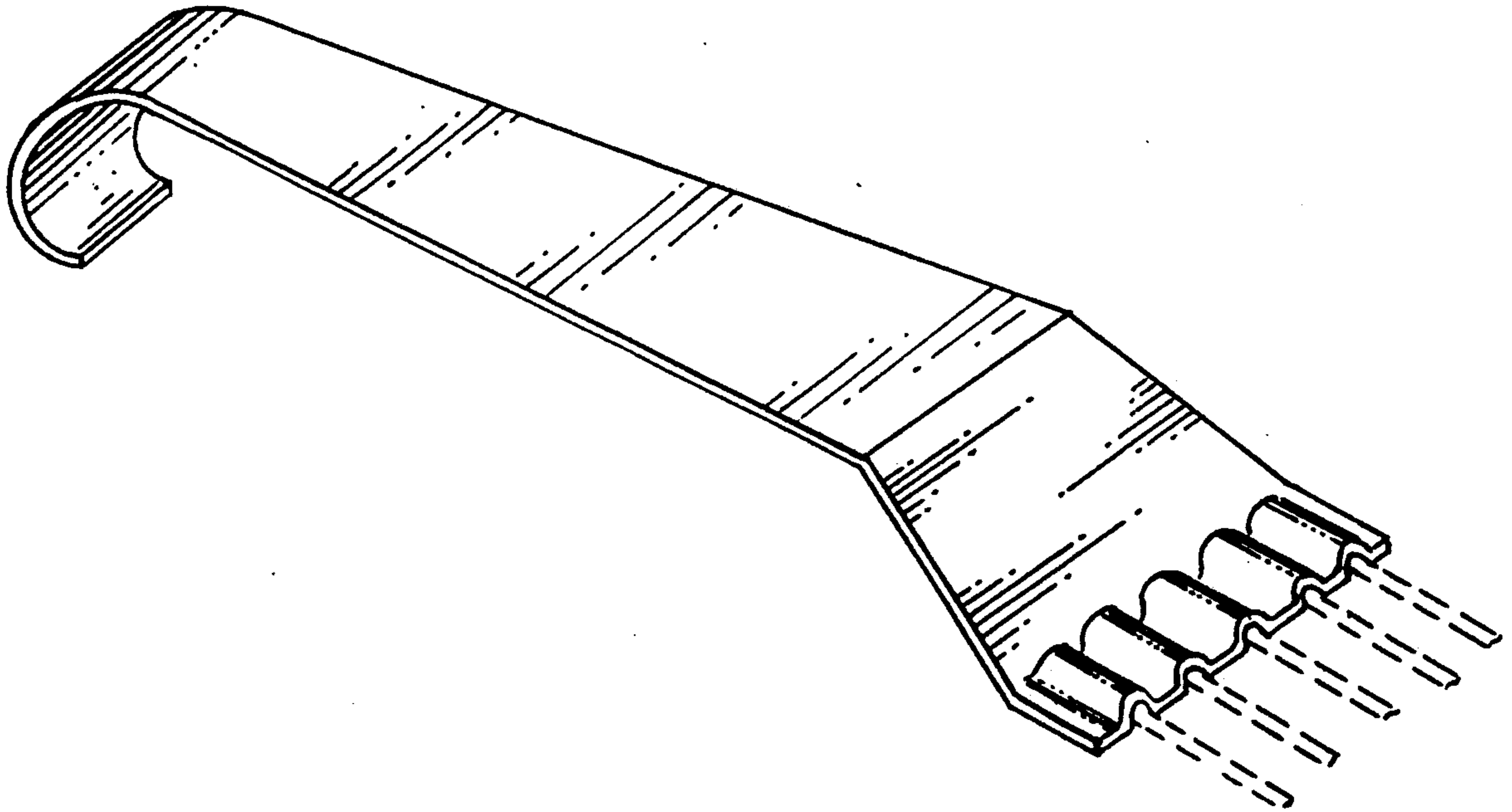
[57] CLAIM

The ornamental design for a barbecue grill scraper, as shown and described.

DESCRIPTION

FIG. 1 is a perspective view of a barbecue grill scraper showing my new design;
 FIG. 2 is a side elevational view thereof, the opposite side being a mirror image;
 FIG. 3 is a top plan view thereof;
 FIG. 4 is a bottom plan view thereof;
 FIG. 5 is a front elevational view thereof; and
 FIG. 6 is a rear elevational view thereof.
 The partial broken line showing of a grill in FIG. 1 is for illustrative purposes only and forms no part of the claimed design.

- [56] **References Cited**
- U.S. PATENT DOCUMENTS**
- D. 247,278 2/1978 Dunn, Jr. D32/46
- 2,747,911 5/1956 Kuever 294/7
- 2,978,934 4/1961 Bradley 30/340 X
- 3,213,779 10/1965 First 294/7
- 4,282,615 8/1981 Tom D8/14 X



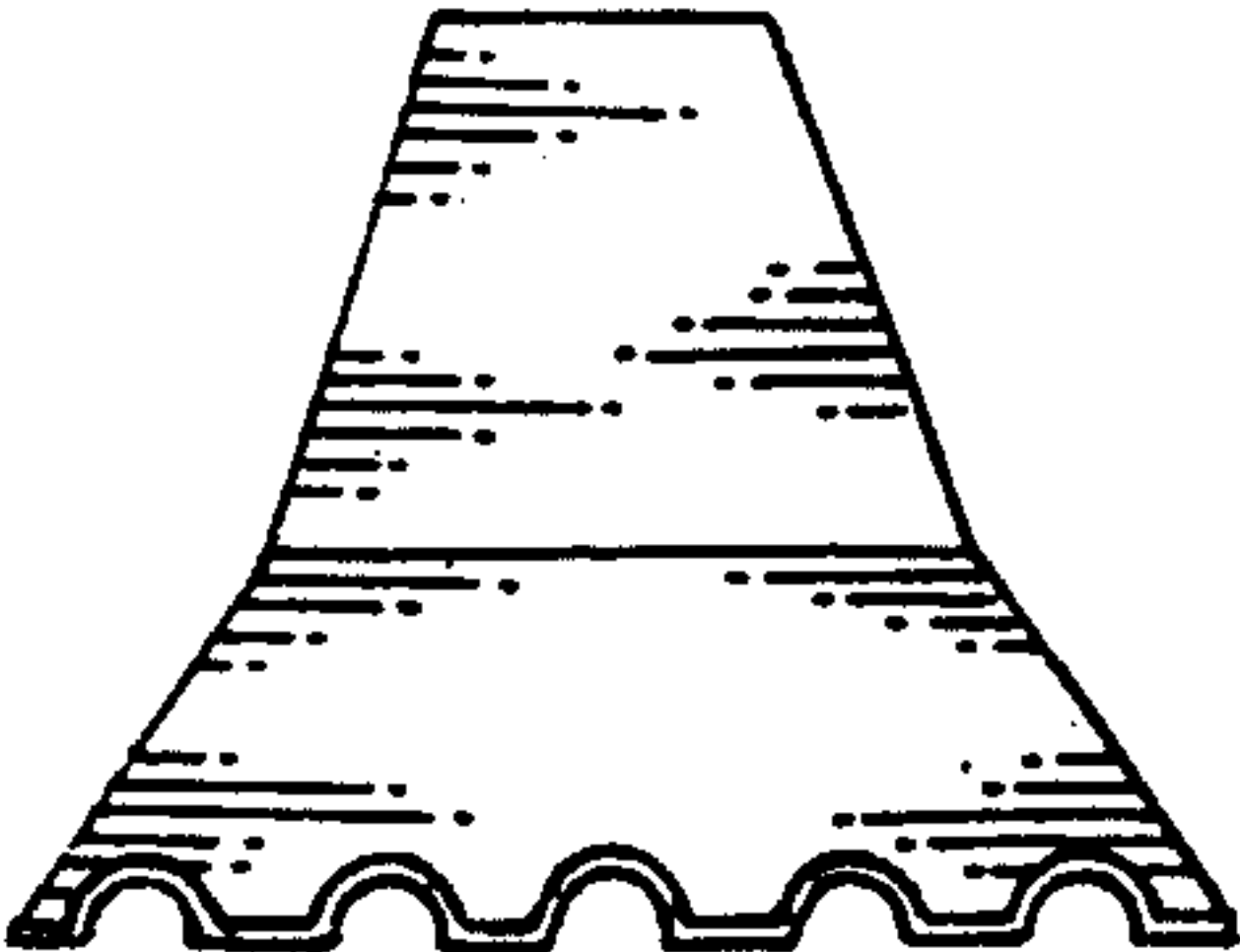
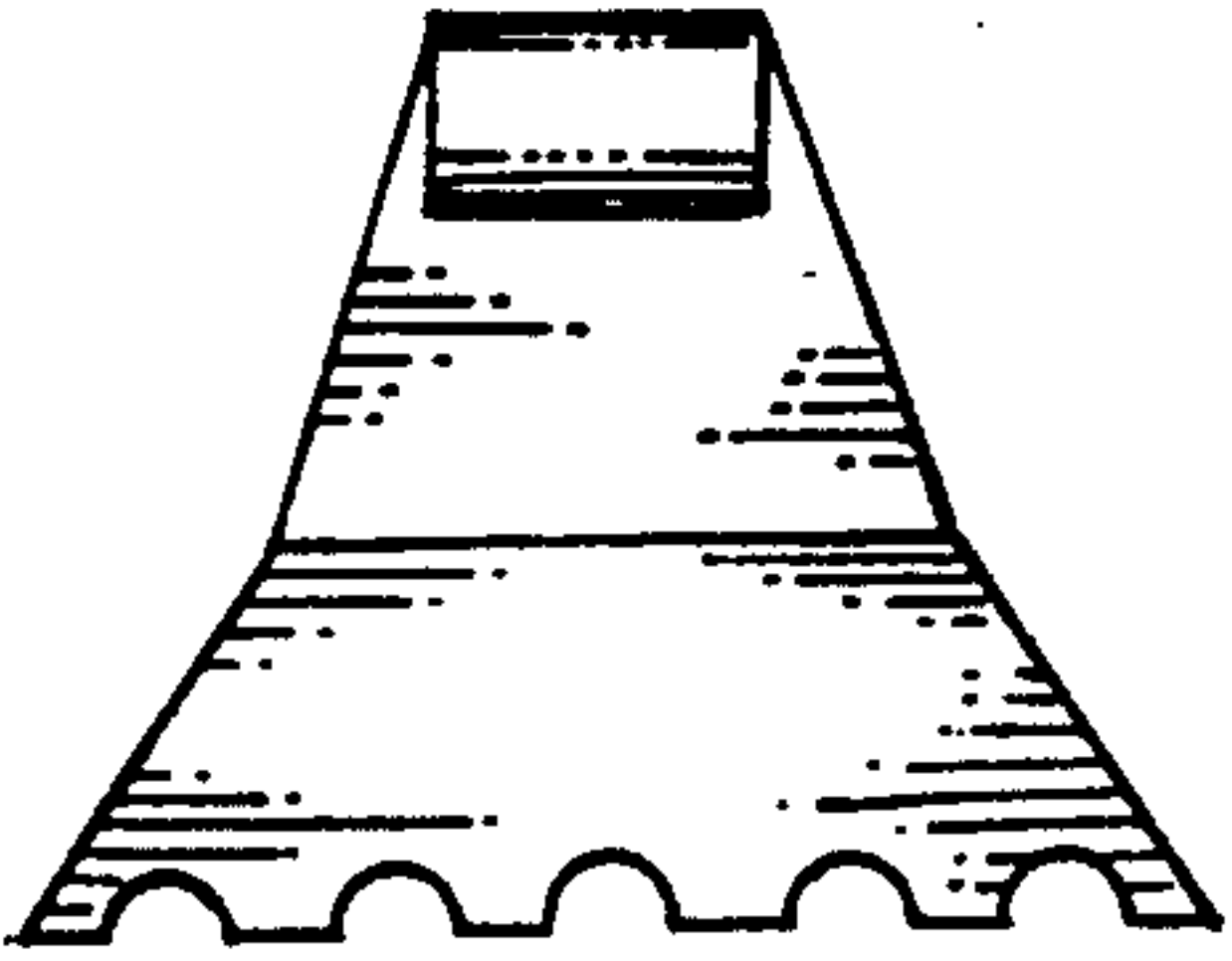
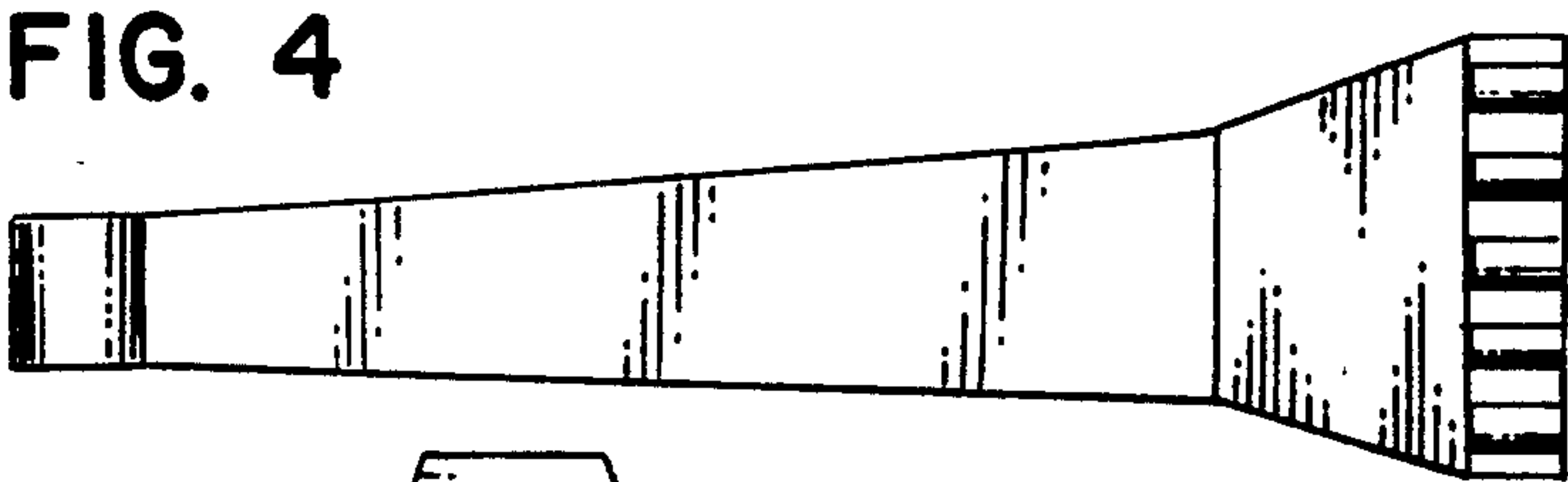
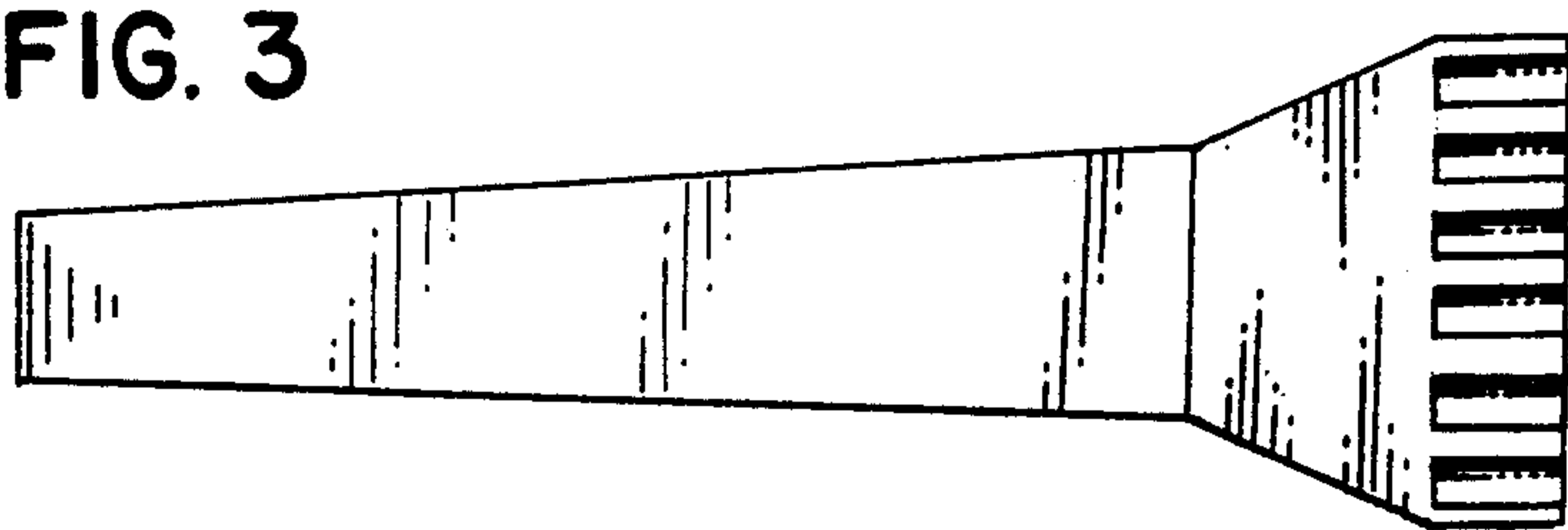
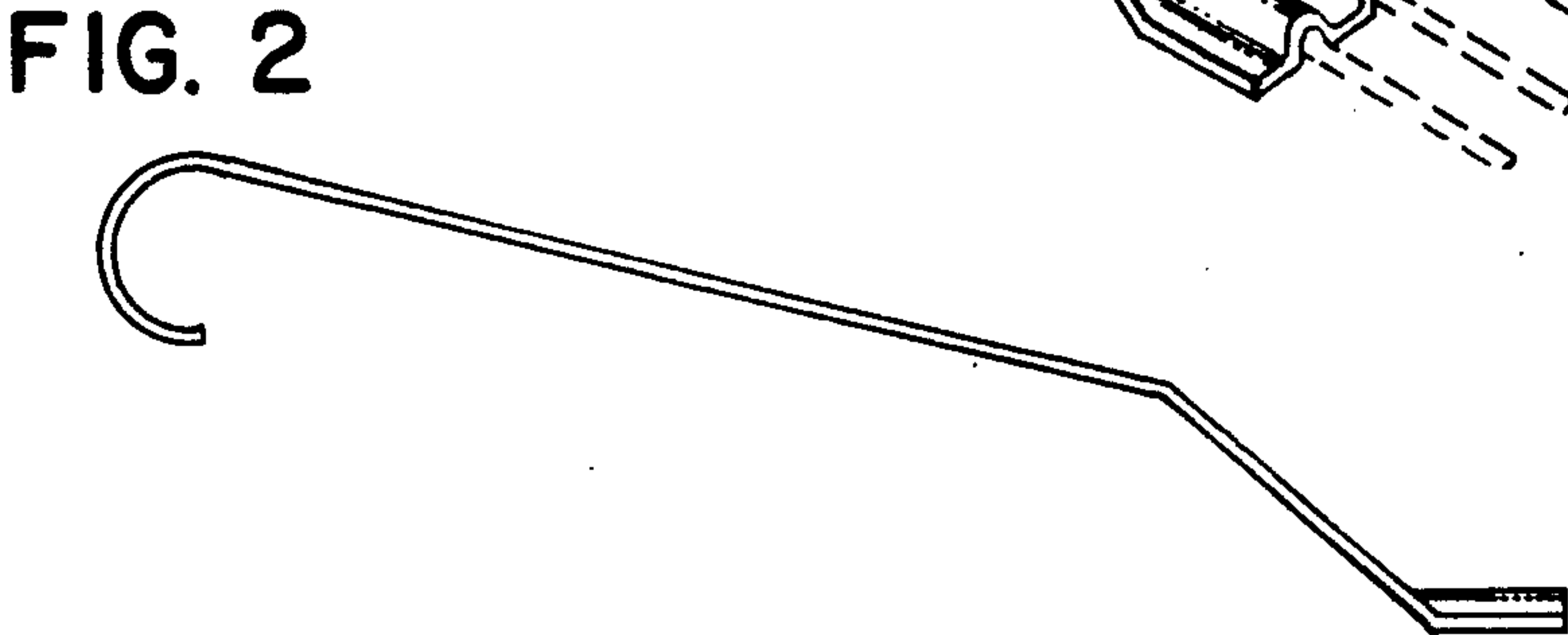
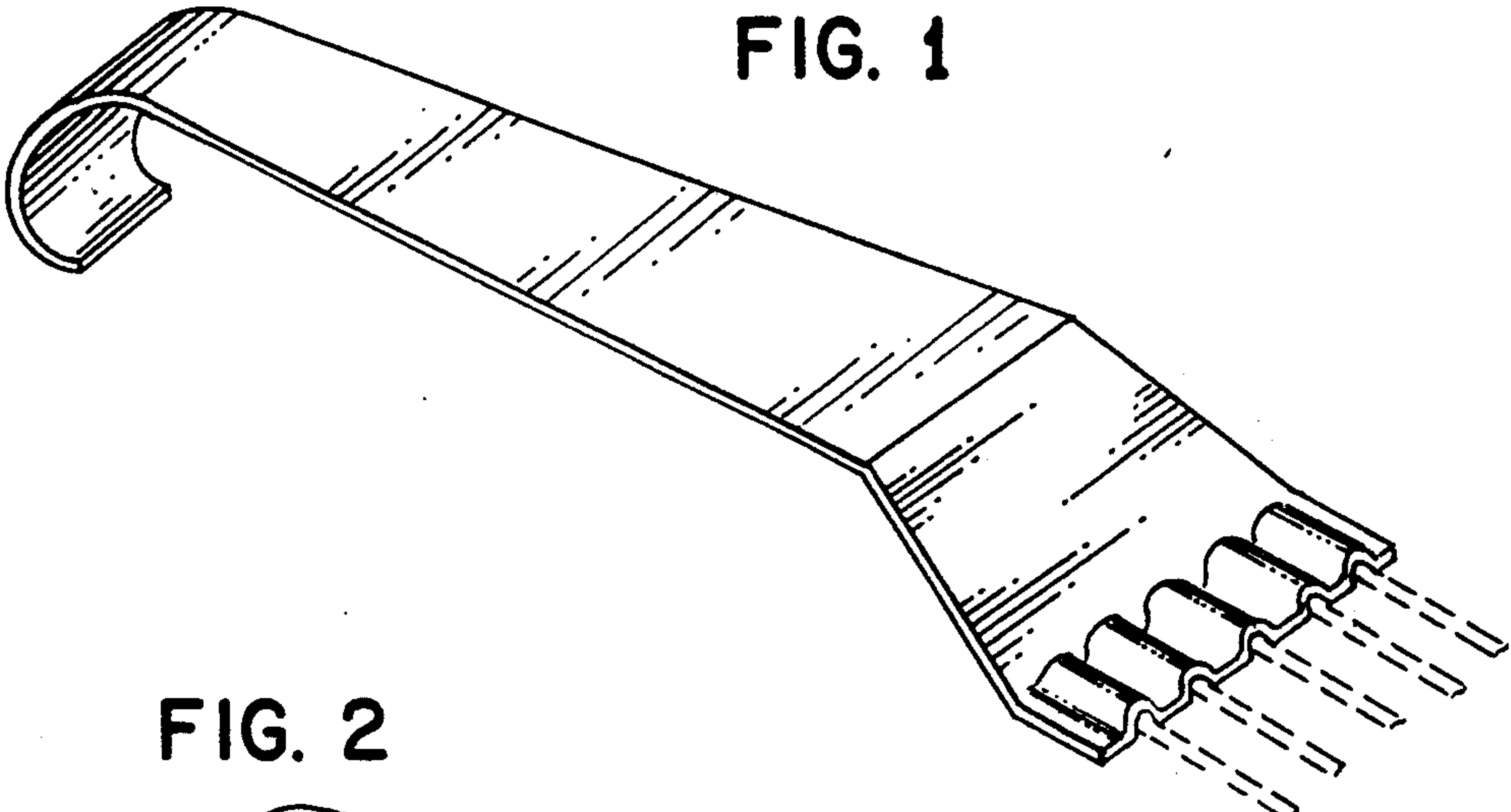


FIG. 6

FIG. 5