



US00D324745S

United States Patent [19]

[11] Patent Number: **Des. 324,745**

Flores

[45] Date of Patent: **** Mar. 17, 1992**

[54] PAINT SHIELD FOR EYES

4,428,081 1/1984 Smith 2/8

[76] Inventor: **Leo M. Flores, 310 E. Lot H, Crane, Tex. 79731**

*Primary Examiner—Kay H. Chin
Attorney, Agent, or Firm—Leon Gildea*

[**] Term: **14 Years**

[57] **CLAIM**

[21] Appl. No.: **439,529**

The ornamental design for a paint shield for eyes, as shown and described.

[22] Filed: **Nov. 21, 1989**

DESCRIPTION

[52] U.S. Cl. **D29/9; D29/6**

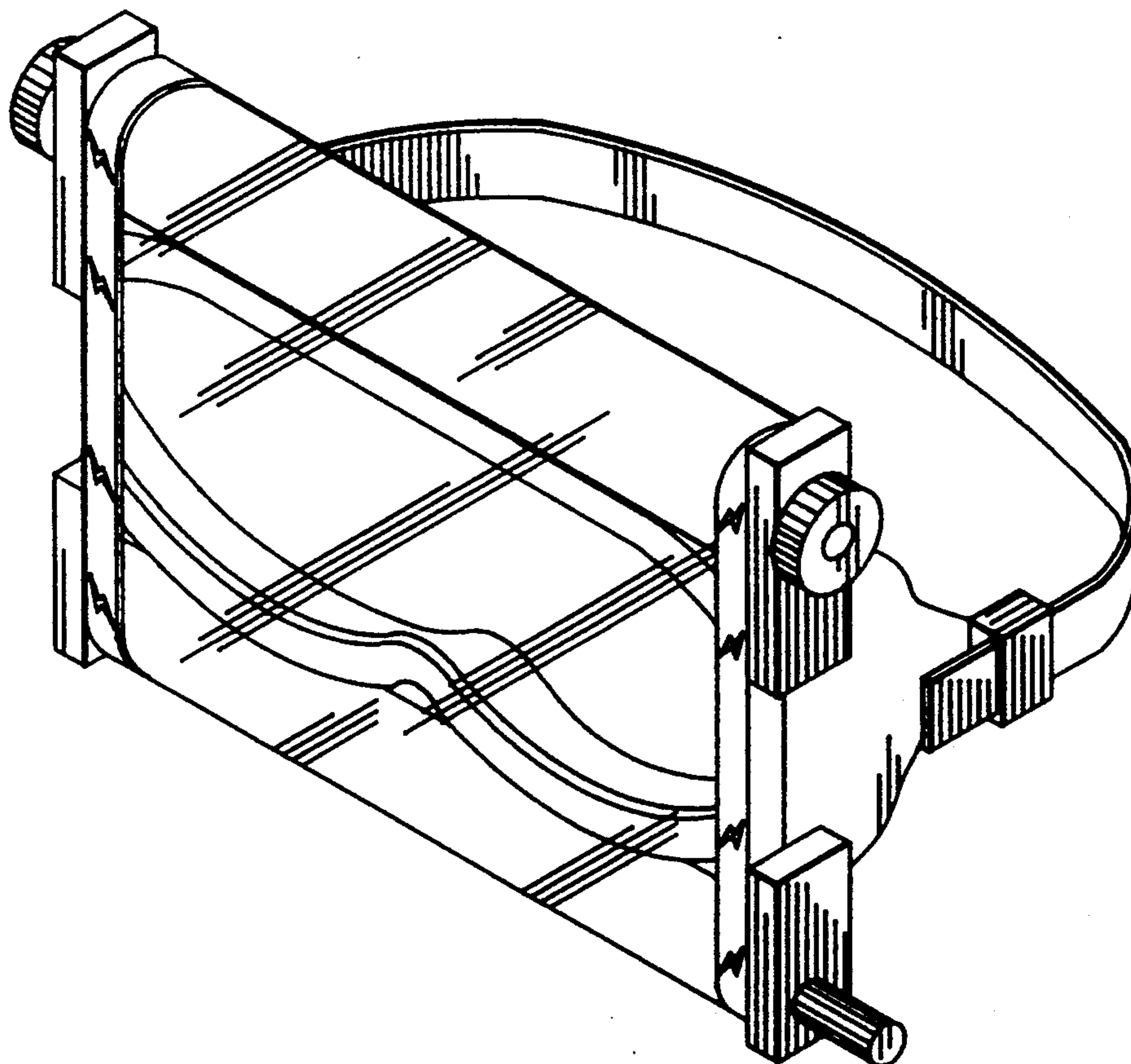
[58] Field of Search **D29/9, 8, 6; 2/8, 9, 2/10, 438, 435, 424, 422; D16/102, 113, 121, 110**

FIG. 1 is a front elevational view of a paint shield for eyes showing my new design;
FIG. 2 is a rear elevational view thereof;
FIG. 3 is a left side elevational view thereof;
FIG. 4 is a right side elevational view thereof;
FIG. 5 is a top plan view thereof;
FIG. 6 is a bottom plan view thereof; and
FIG. 7 is a top, right and front perspective view thereof.

[56] **References Cited**

U.S. PATENT DOCUMENTS

2,993,209 7/1961 Monaham, Jr. et al. D29/9



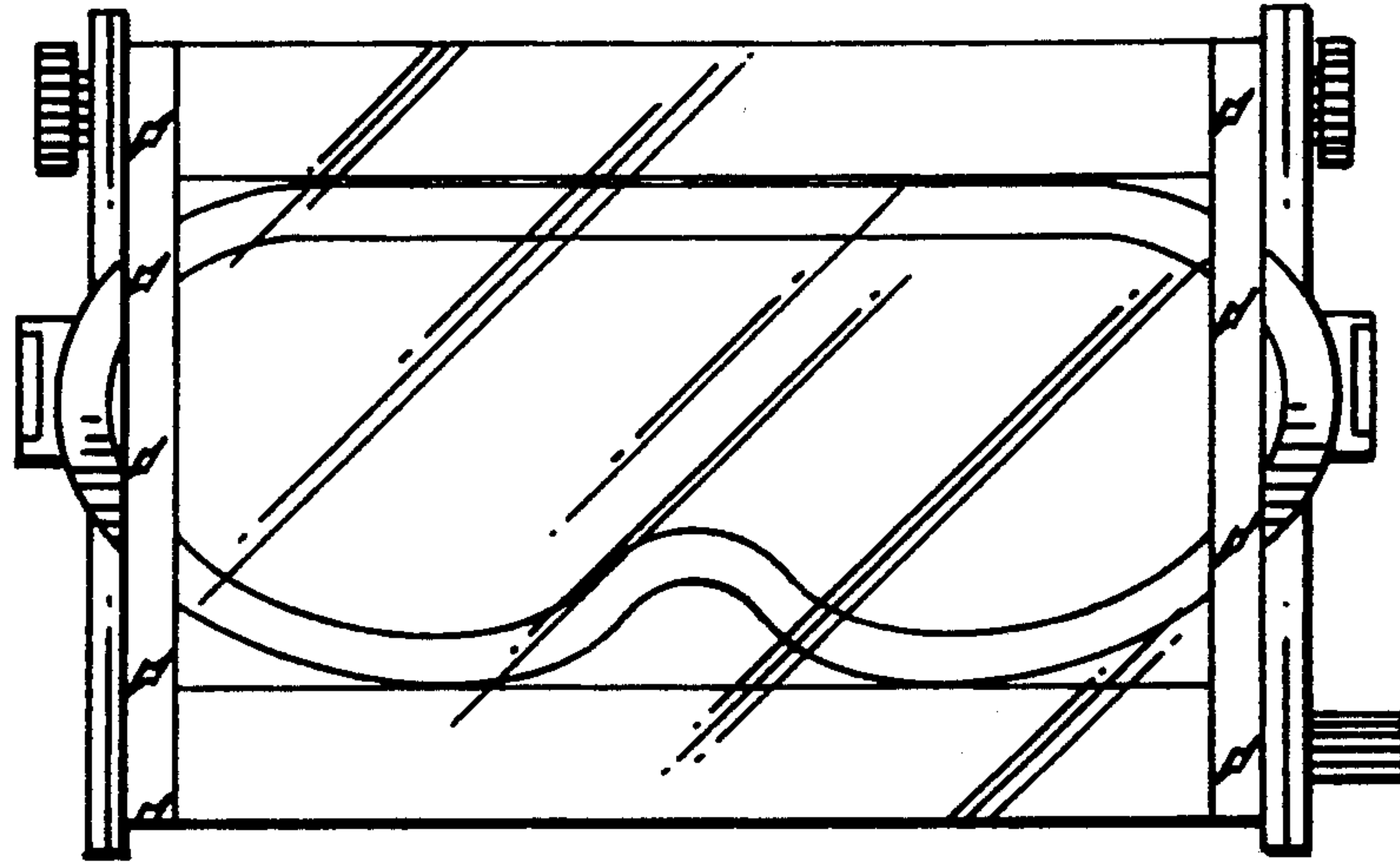
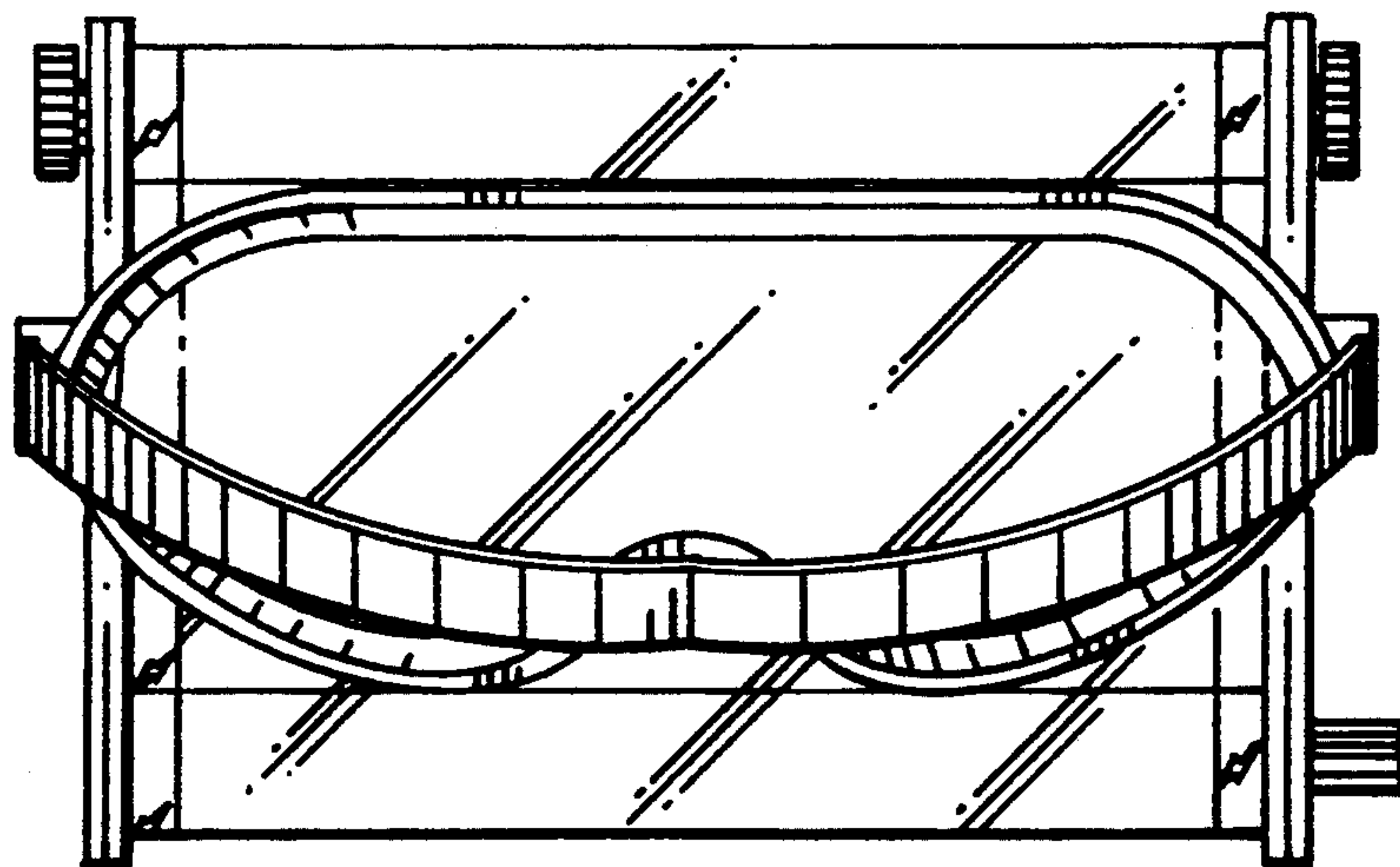
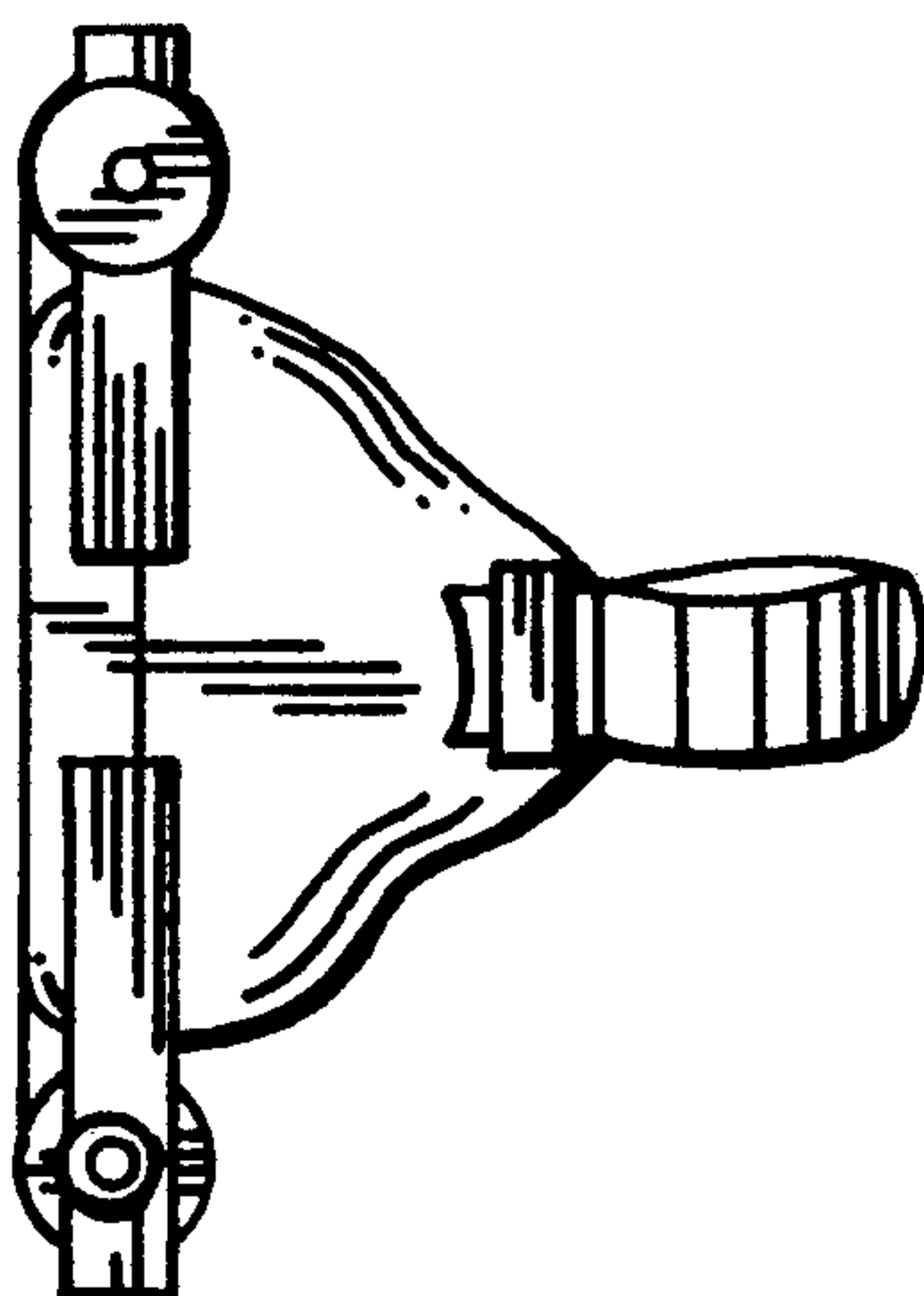
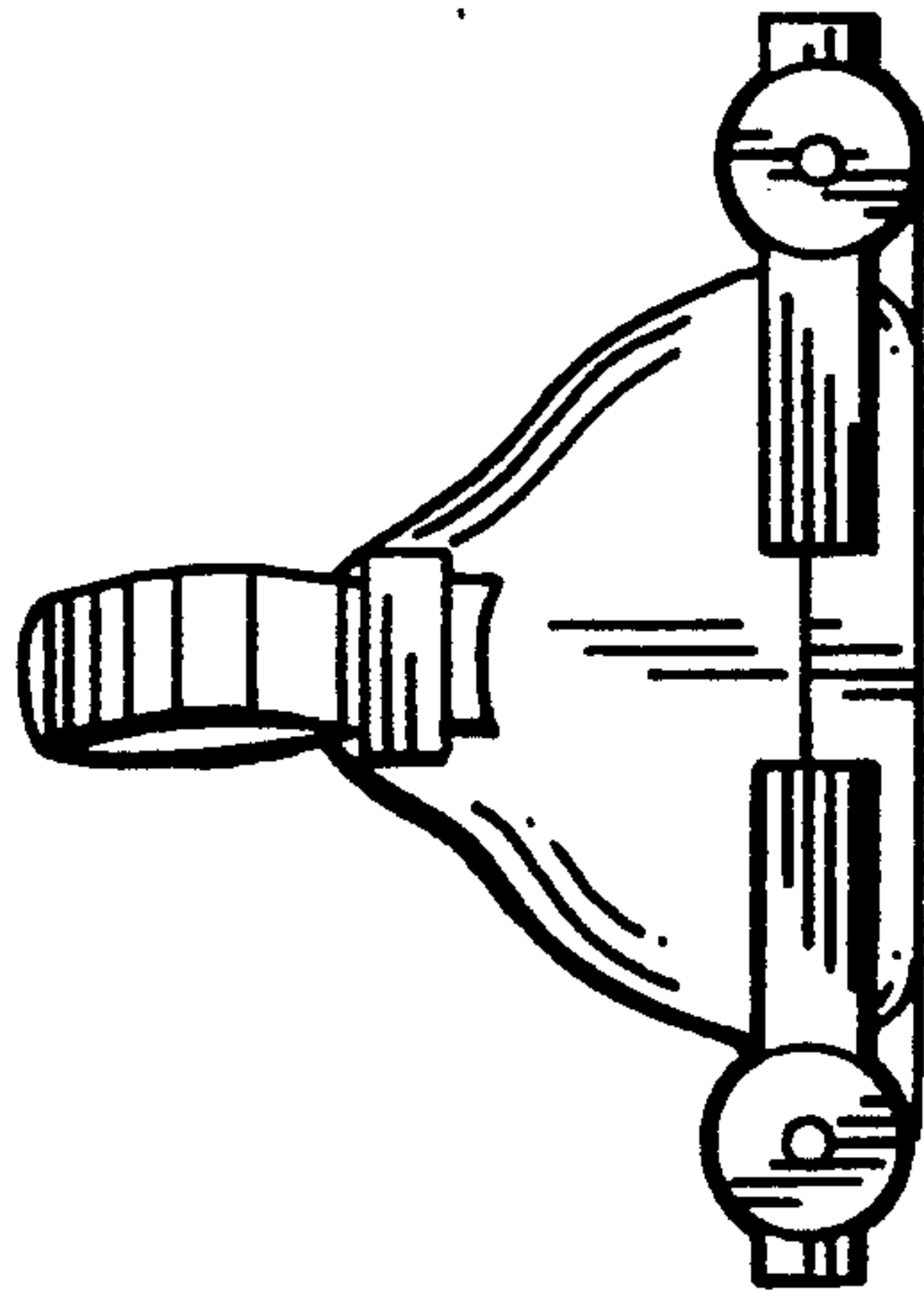


Fig. 1

Fig. 2





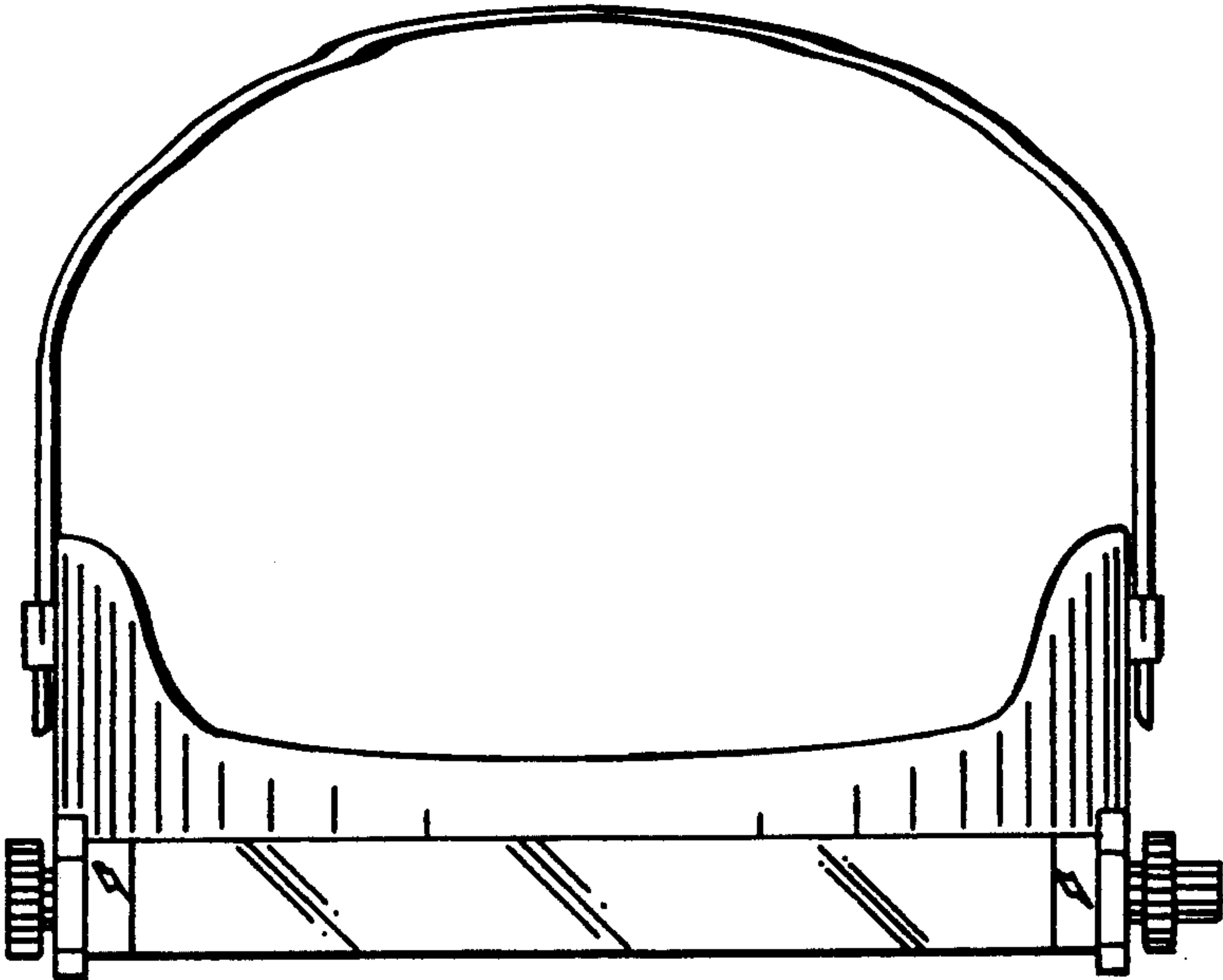
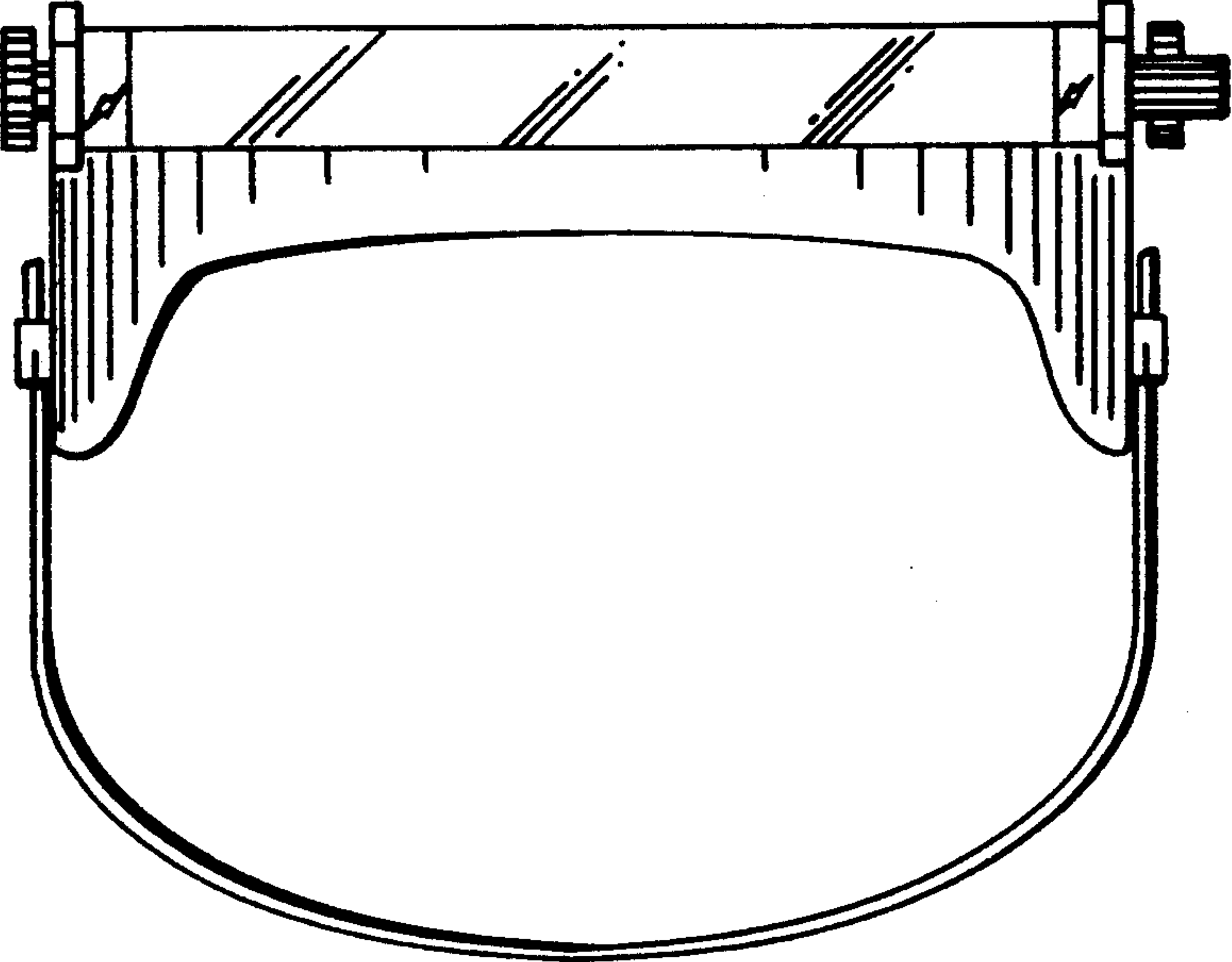


Fig 5

Fig 6



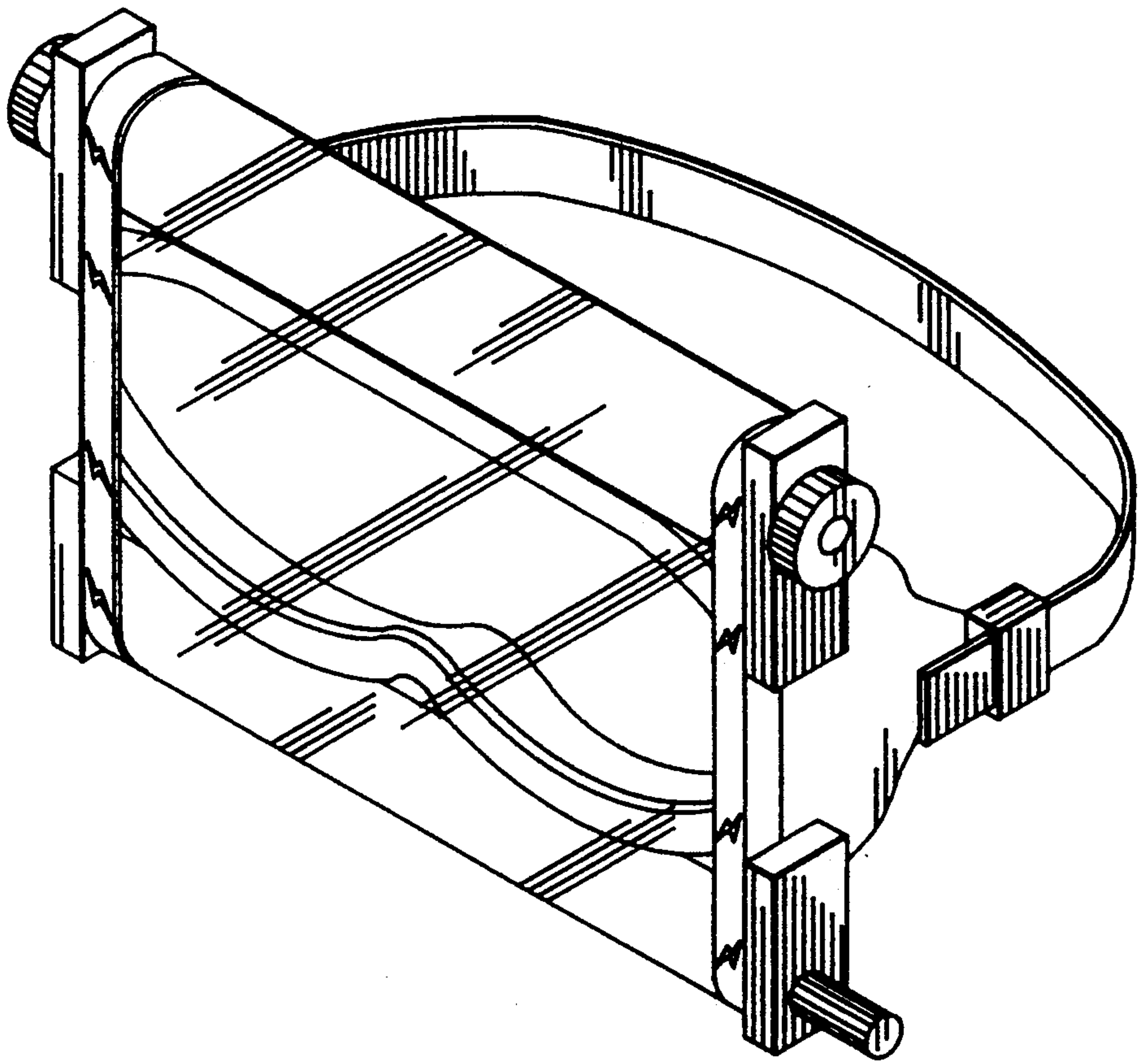


FIG. 4