



US00D324736S

United States Patent [19]

[11] Patent Number: **Des. 324,736**

Collister et al.

[45] Date of Patent: **** Mar. 17, 1992**

[54] PIPETTE GUIDE

[56] References Cited

[75] Inventors: **Kenneth D. Collister; George V. Siddons**, both of Elkhart, Ind.

U.S. PATENT DOCUMENTS

D. 267,744	1/1983	Flynn	D24/31
D. 298,169	10/1988	Collister et al.	D24/29
D. 312,692	12/1990	Bradley	D24/31
3,494,201	2/1970	Roach	422/100 X
4,037,464	7/1977	Wenander	422/100 X

[73] Assignee: **Miles Inc.**, Elkhart, Ind.

Primary Examiner—Stella Reid
Attorney, Agent, or Firm—Roger N. Coe

[*] Notice: The portion of the term of this patent subsequent to Oct. 18, 2002 has been disclaimed.

[57] CLAIM

The ornamental design for a pipette guide, as shown and described.

[**] Term: **14 Years**

DESCRIPTION

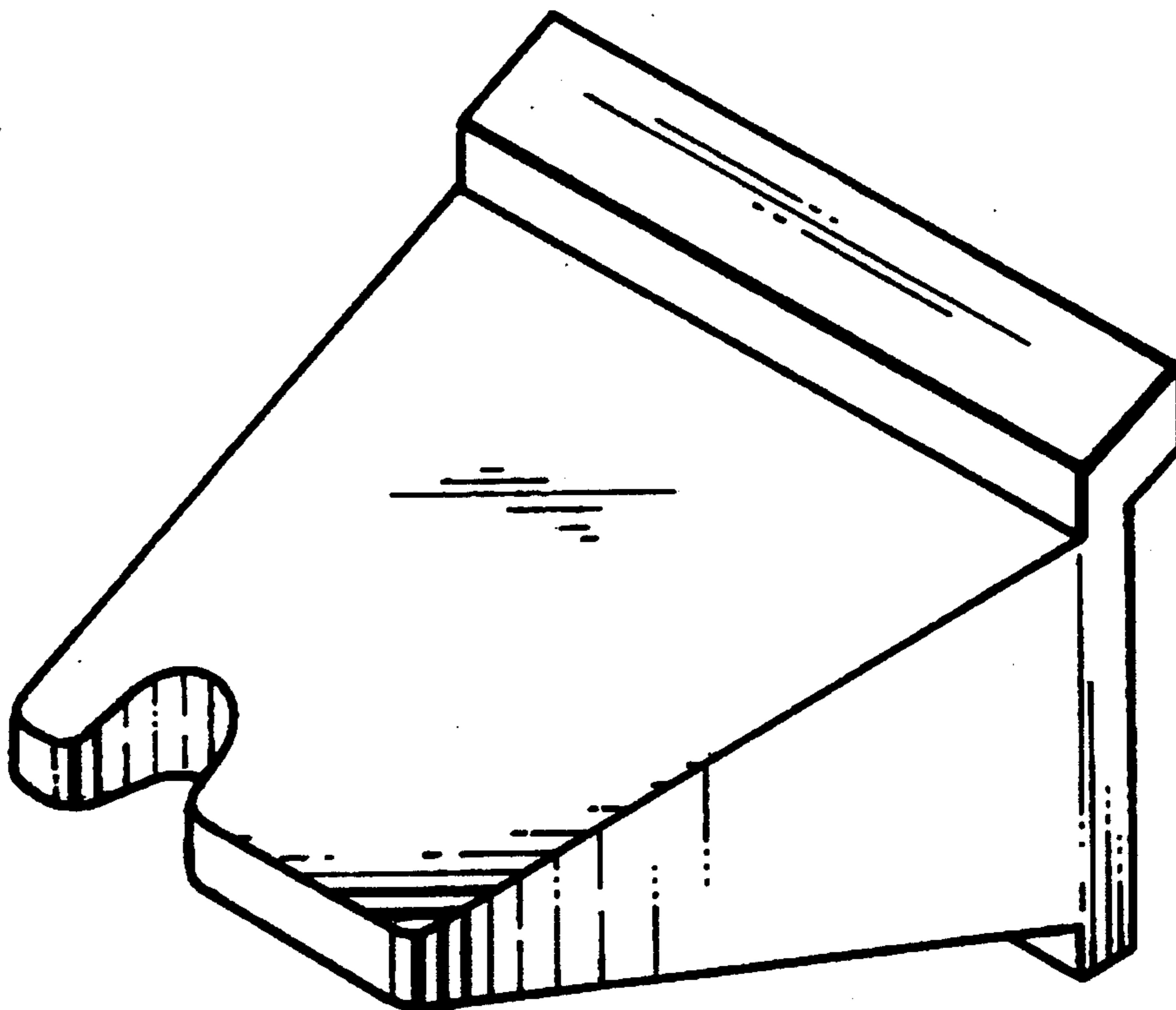
[21] Appl. No.: **332,214**

FIG. 1 is a top and right front perspective view of a pipette guide showing our new design;
FIG. 2 is a top plan view of FIG. 1;
FIG. 3 is a bottom plan view of FIG. 1;
FIG. 4 is a front elevational view of FIG. 1;
FIG. 5 is a rear elevational view of FIG. 1;
FIG. 6 is a left side elevational view of FIG. 1; and
FIG. 7 is a right side elevational view of FIG. 1.

[22] Filed: **Apr. 3, 1989**

[52] U.S. Cl. **D24/222; D24/227**

[58] Field of Search **D24/29, 8, 55; 422/99, 422/100, 65, 67, 63; 73/864.01, 864.21, 864.23; 211/13, 70.6; D27/2; D8/71**



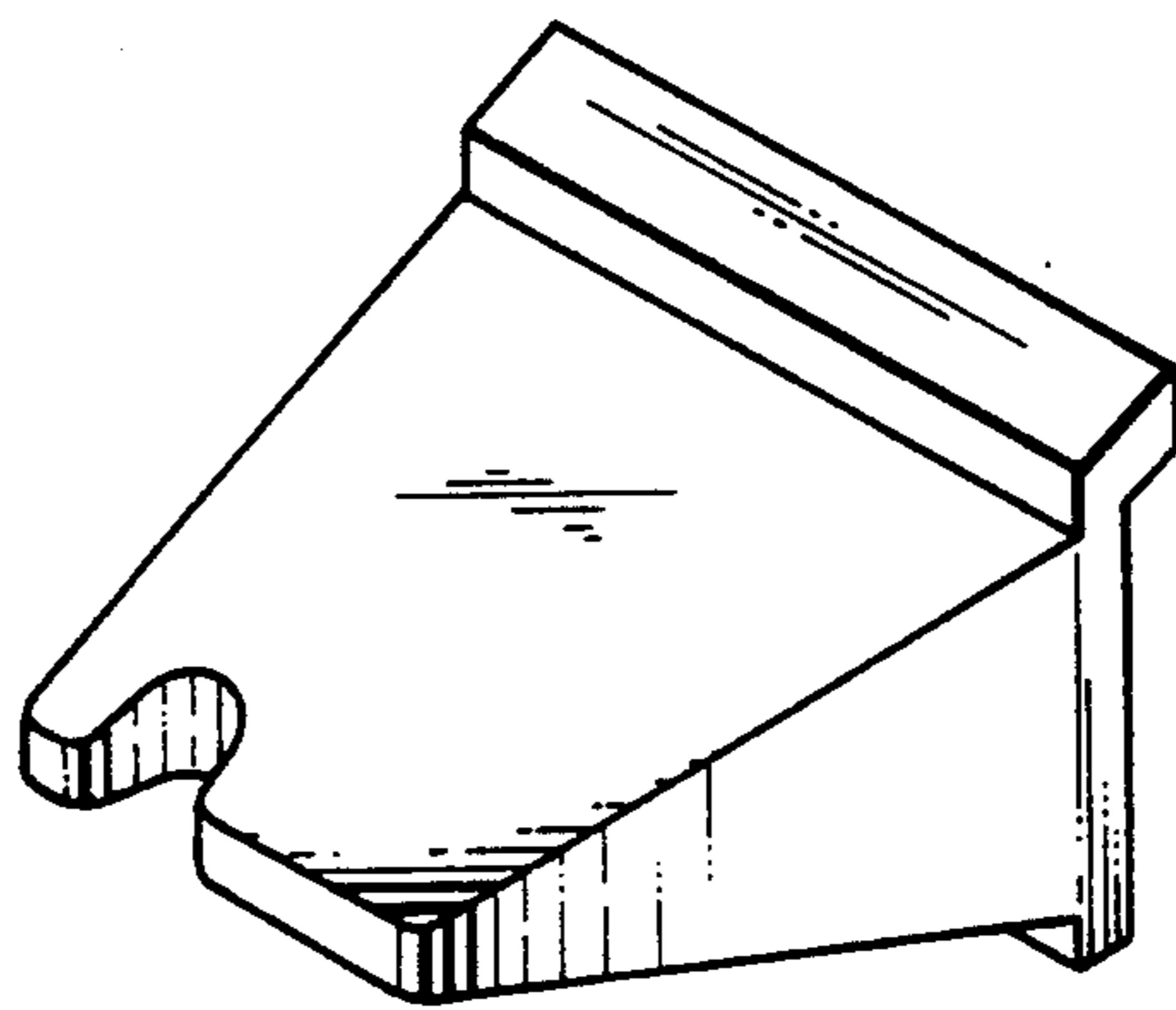


FIG. 1

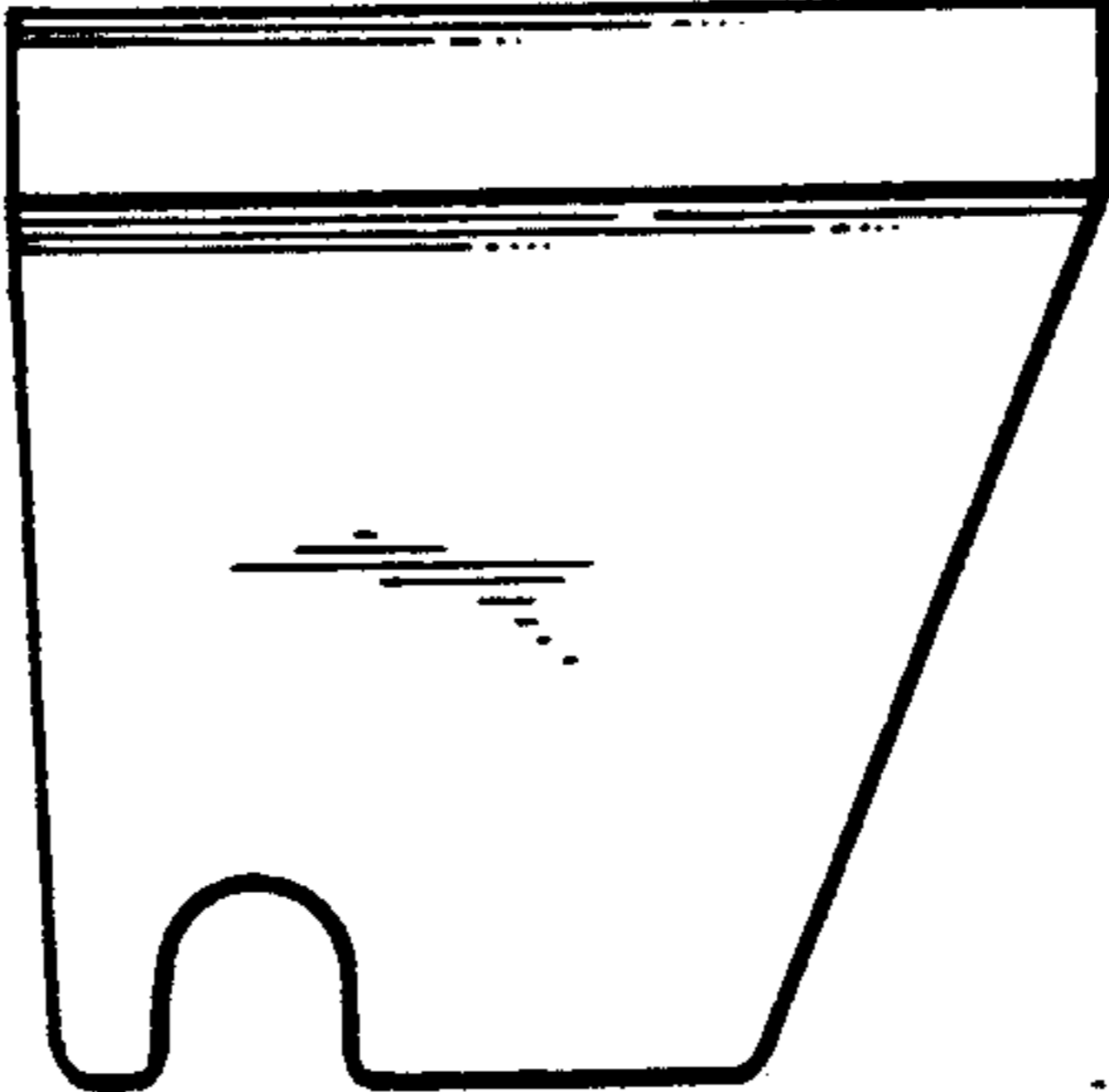


FIG. 2

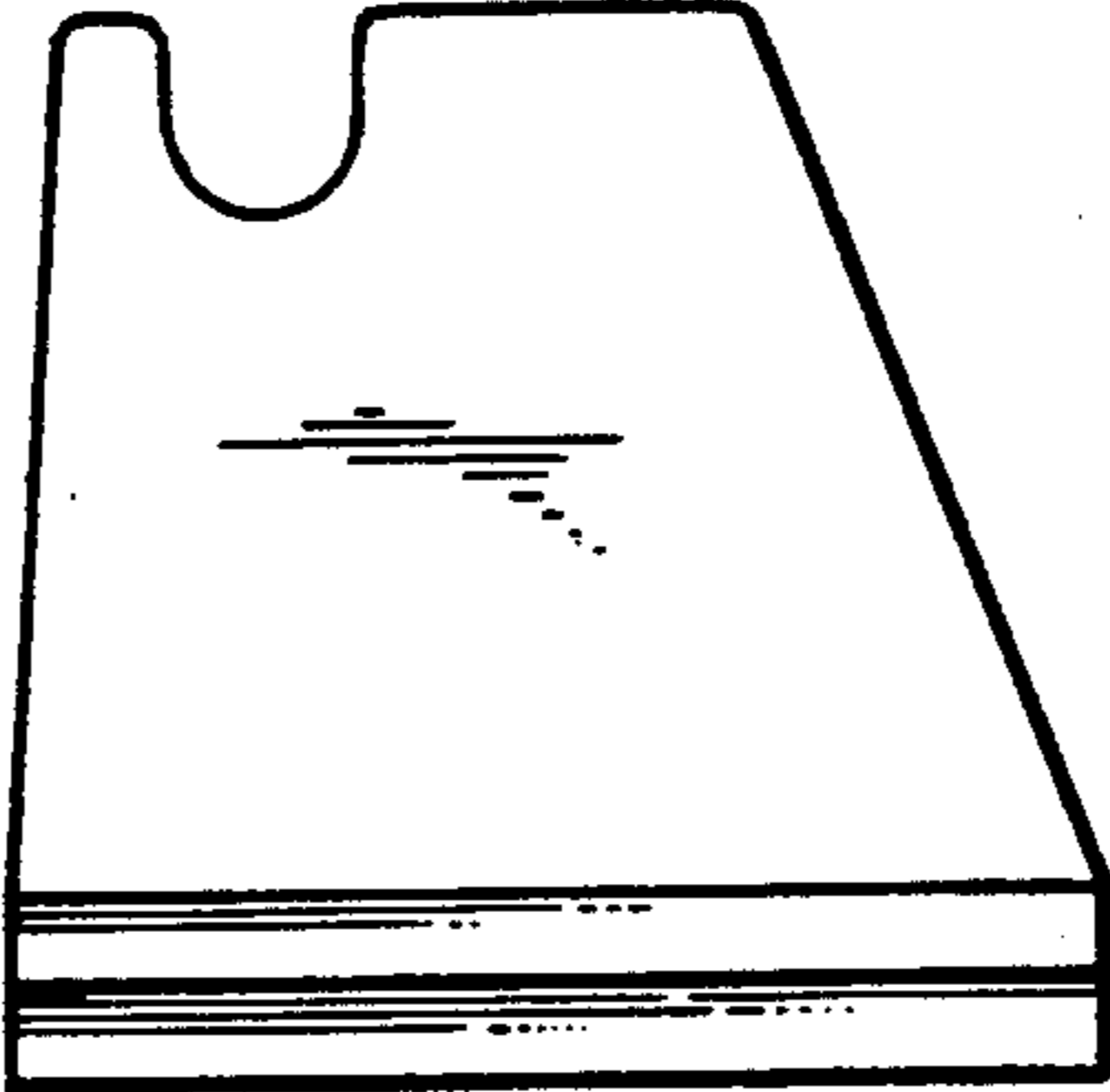


FIG. 3

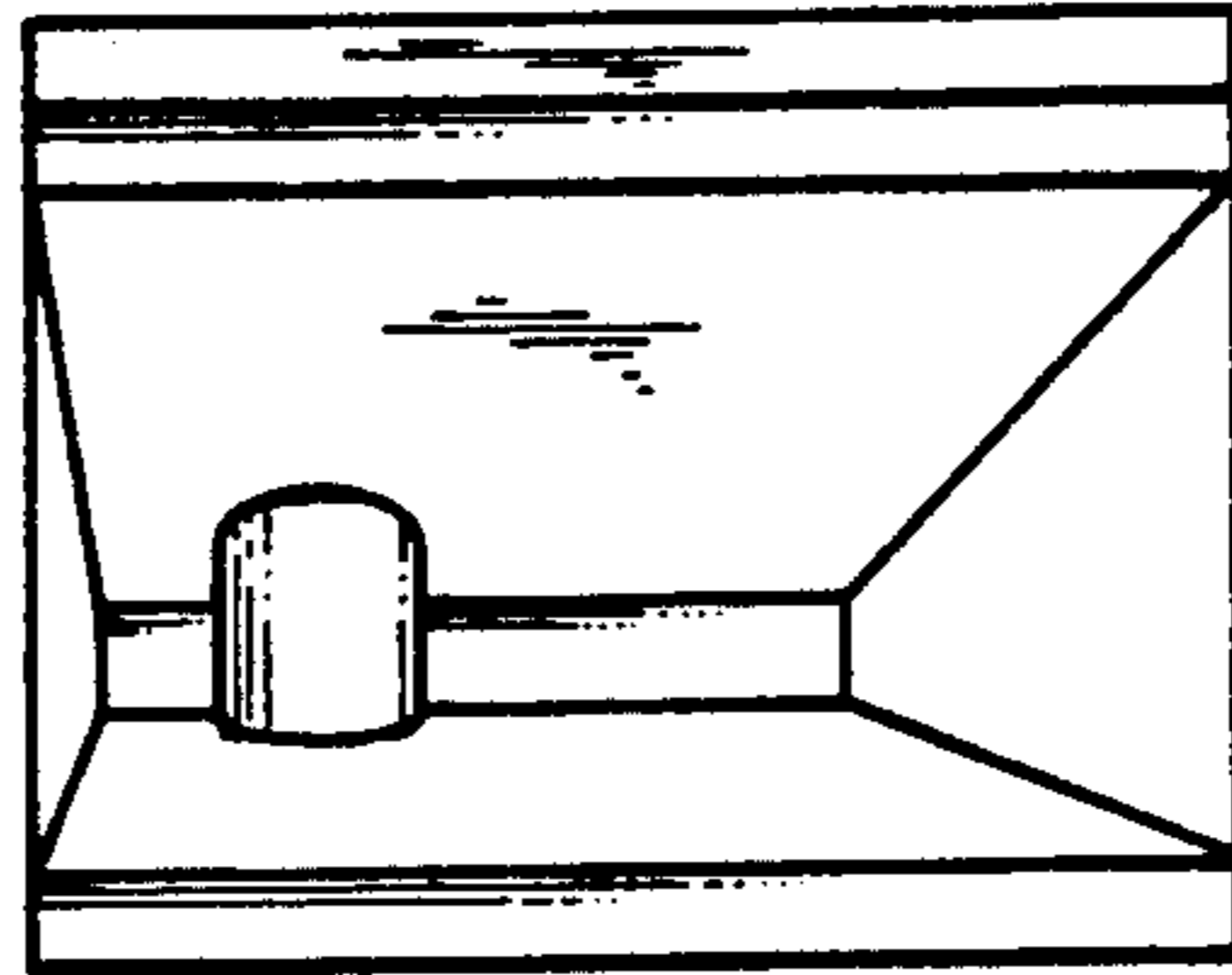


FIG. 4

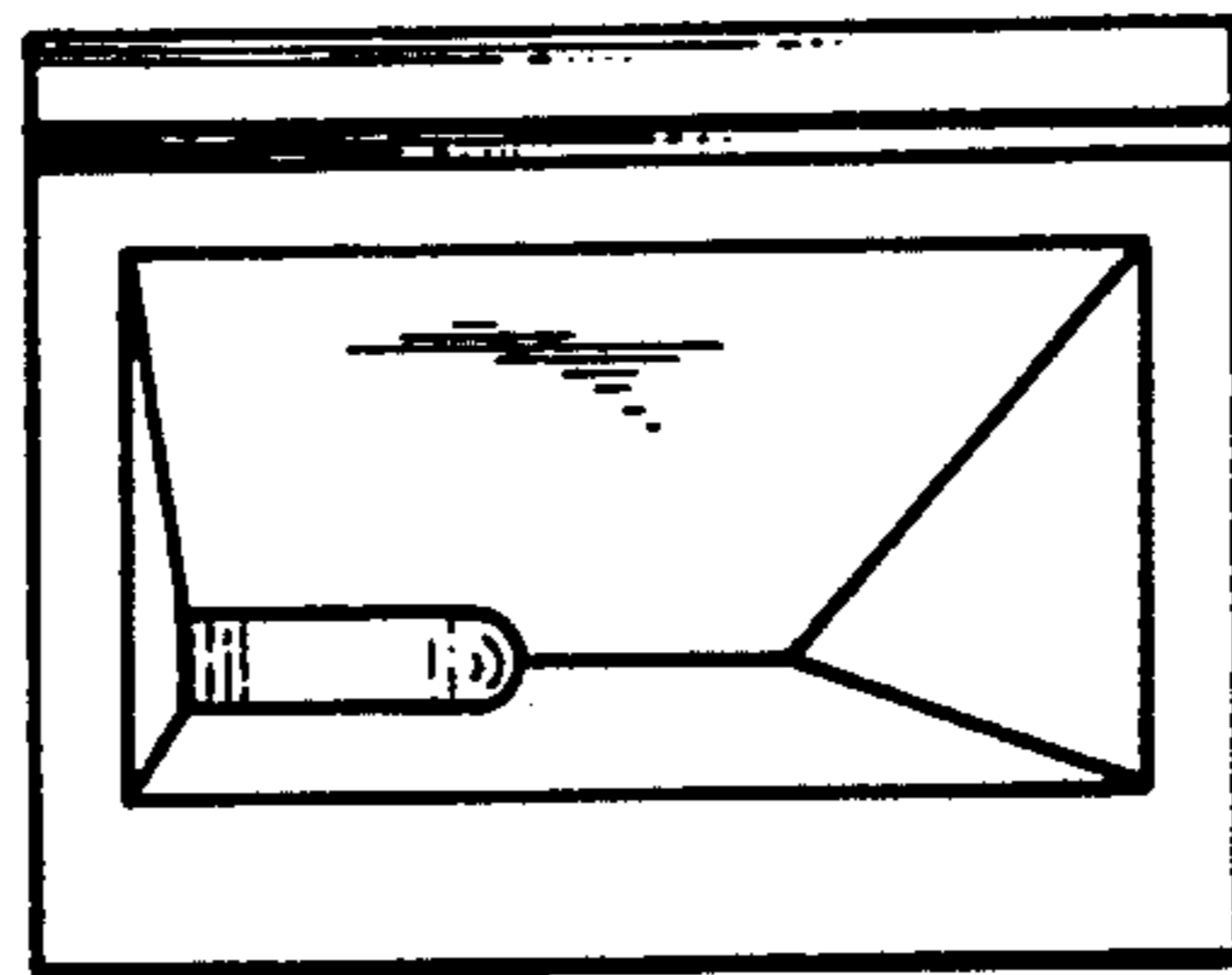


FIG. 5

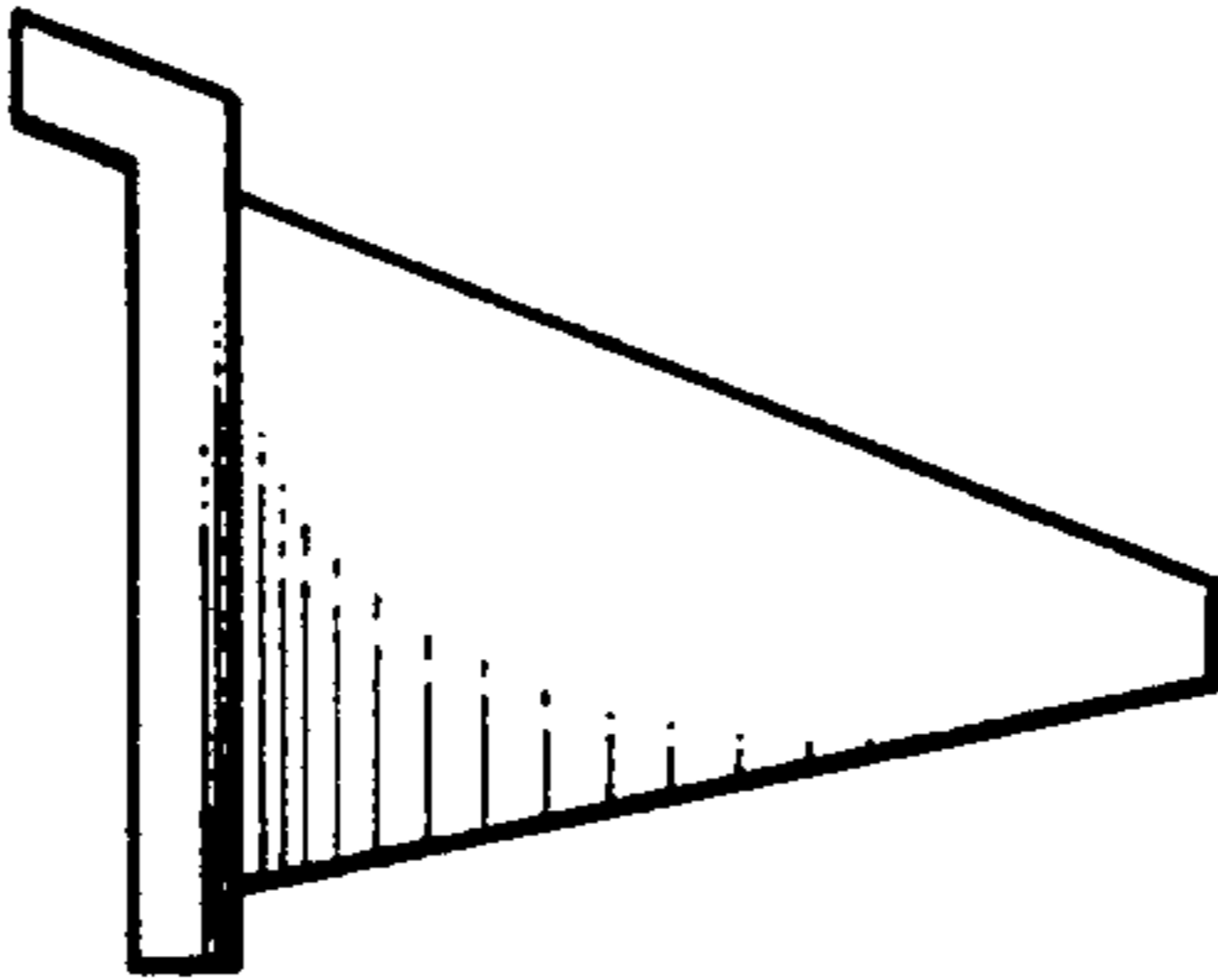


FIG. 6

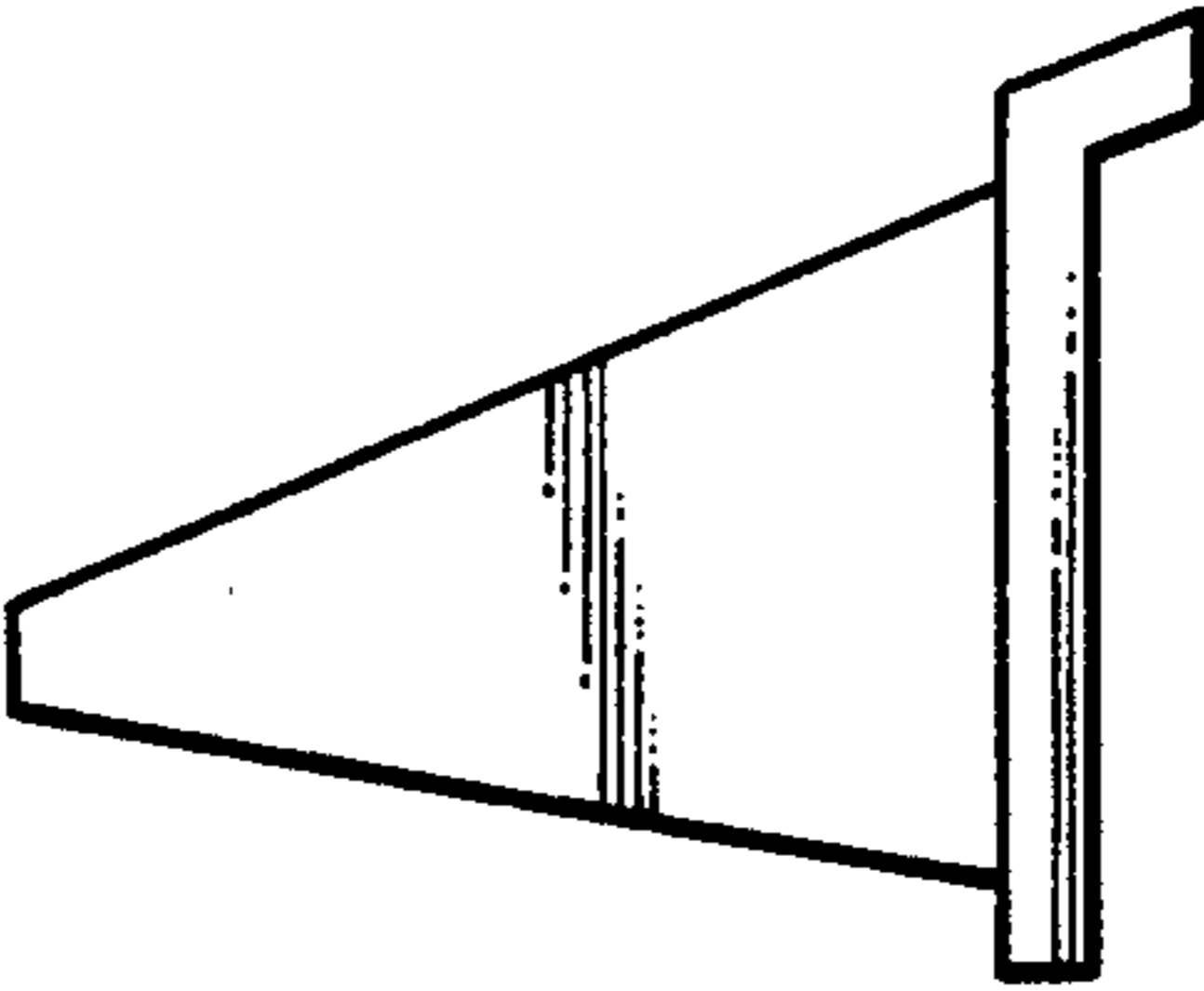


FIG. 7