



US00D324735S

# United States Patent [19]

[11] Patent Number: **Des. 324,735**

Collister et al.

[45] Date of Patent: **\*\* Mar. 17, 1992**

[54] PIPETTE HOLDER

[56] References Cited

[75] Inventors: **Kenneth D. Collister; George V. Siddons**, both of Elkhart, Ind.

### U.S. PATENT DOCUMENTS

- D. 223,202 3/1972 Nyrop ..... D24/227 X
- D. 249,953 10/1978 Drake ..... D6/310 X
- D. 298,169 10/1988 Collister, et al. .... D24/222
- D. 301,102 5/1989 Kloberg, Jr. .... D6/567

[73] Assignee: **Miles Inc.**, Elkhart, Ind.

*Primary Examiner*—Stella Reid  
*Attorney, Agent, or Firm*—Roger N. Coe

[\*\*] Term: **14 Years**

[57] CLAIM

The ornamental design for a pipette holder, as shown and described.

[21] Appl. No.: **328,696**

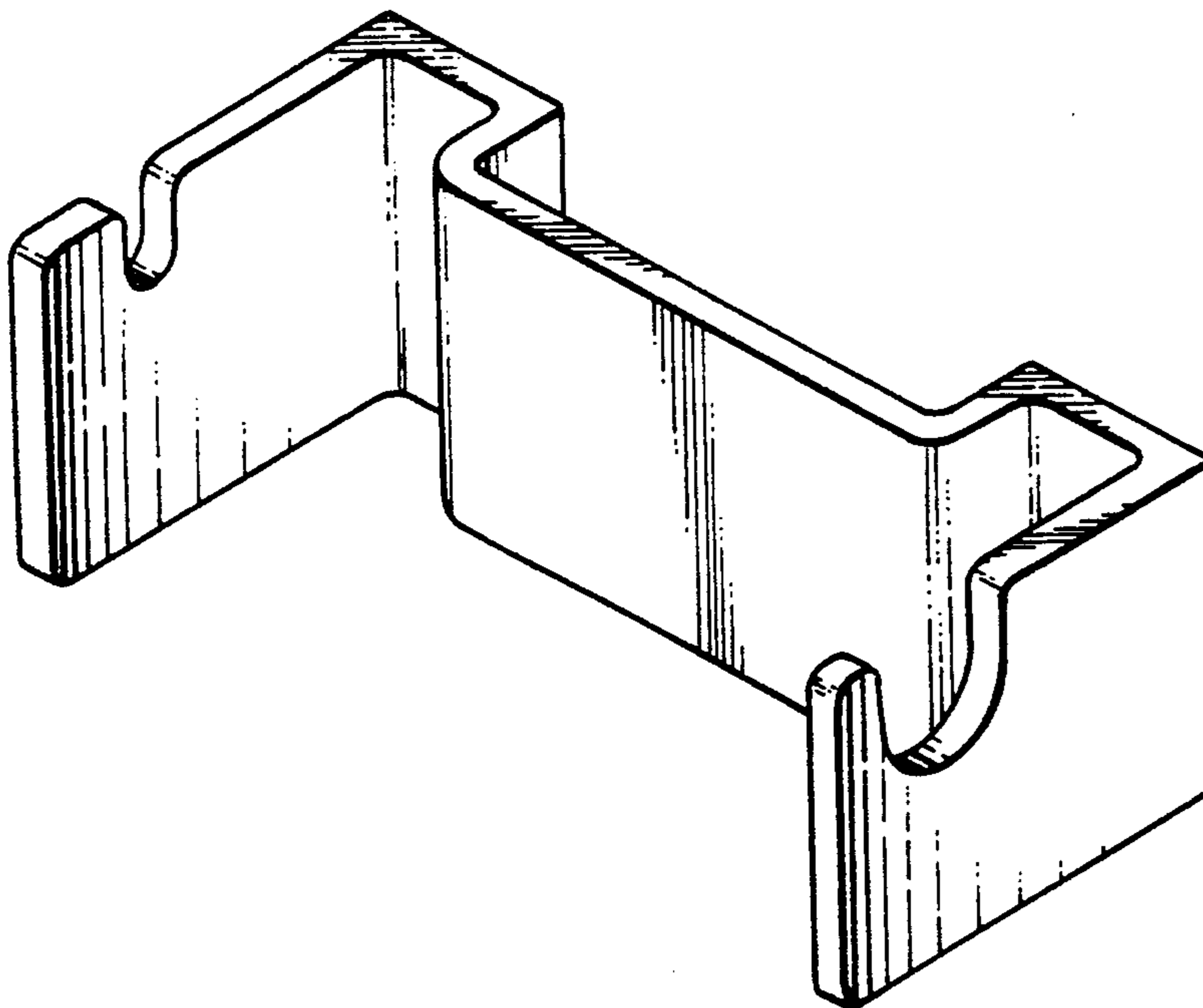
### DESCRIPTION

[22] Filed: **Mar. 27, 1989**

FIG. 1 is a top and right front perspective view of a pipette holder showing our new design;  
 FIG. 2 is a top plan view of FIG. 1;  
 FIG. 3 is a bottom plan view of FIG. 1;  
 FIG. 4 is a front elevational view of FIG. 1;  
 FIG. 5 is a rear elevational view in FIG. 1;  
 FIG. 6 is a left side elevational view of FIG. 1; and  
 FIG. 7 is a right side elevational view of FIG. 1.

[52] U.S. Cl. .... **D24/222; D6/310; D24/128; D24/227**

[58] Field of Search ..... **D24/229, 227, 222, 128, D24/127; 356/222, 213, 229, 236, 369, 446, 448, 325; 250/572; 248/309.1, 200, 225.31, 205.1, 201; 73/864.1; 422/100; 211/87; D8/373, 354, 380, 381**



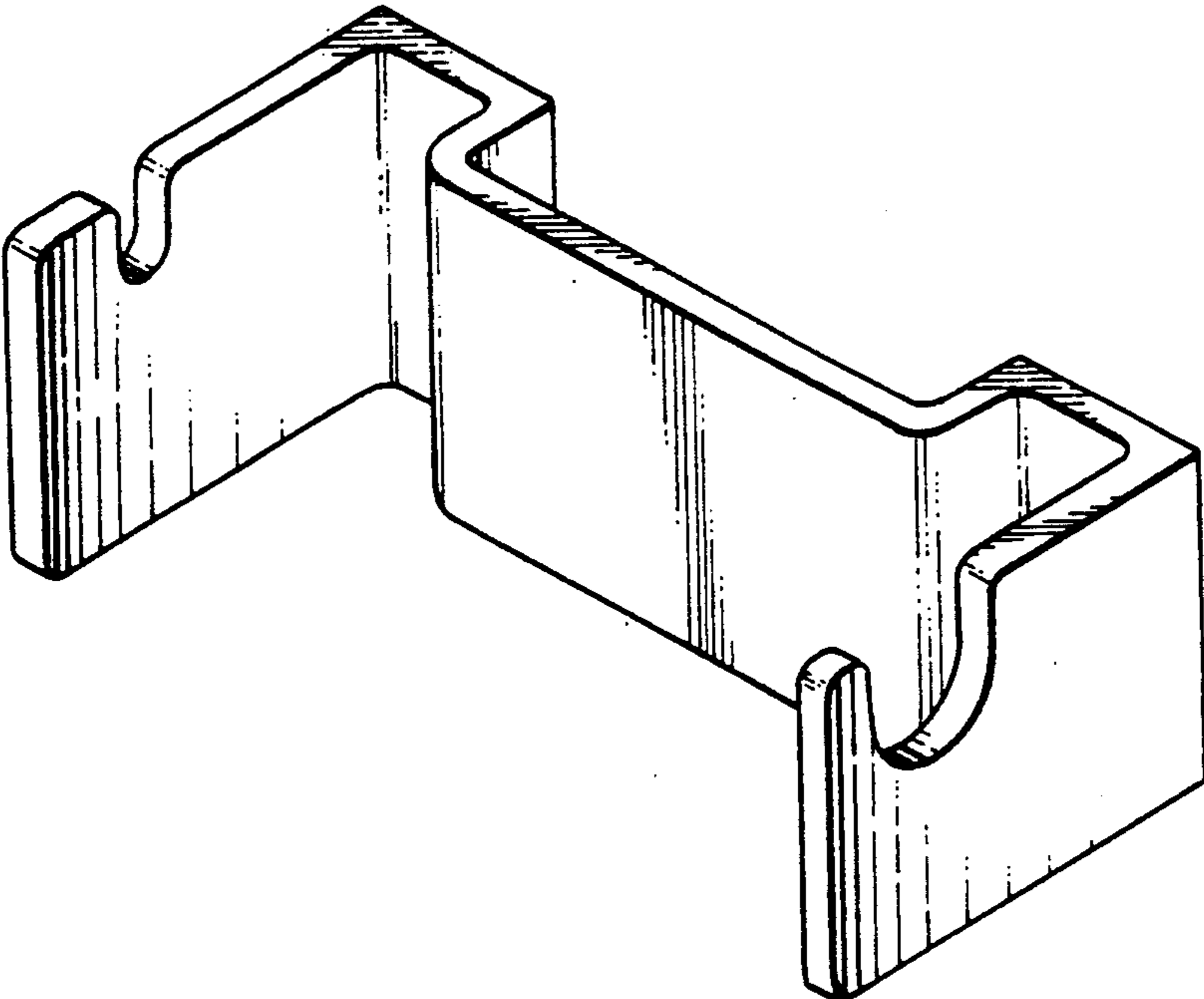


FIG. 1

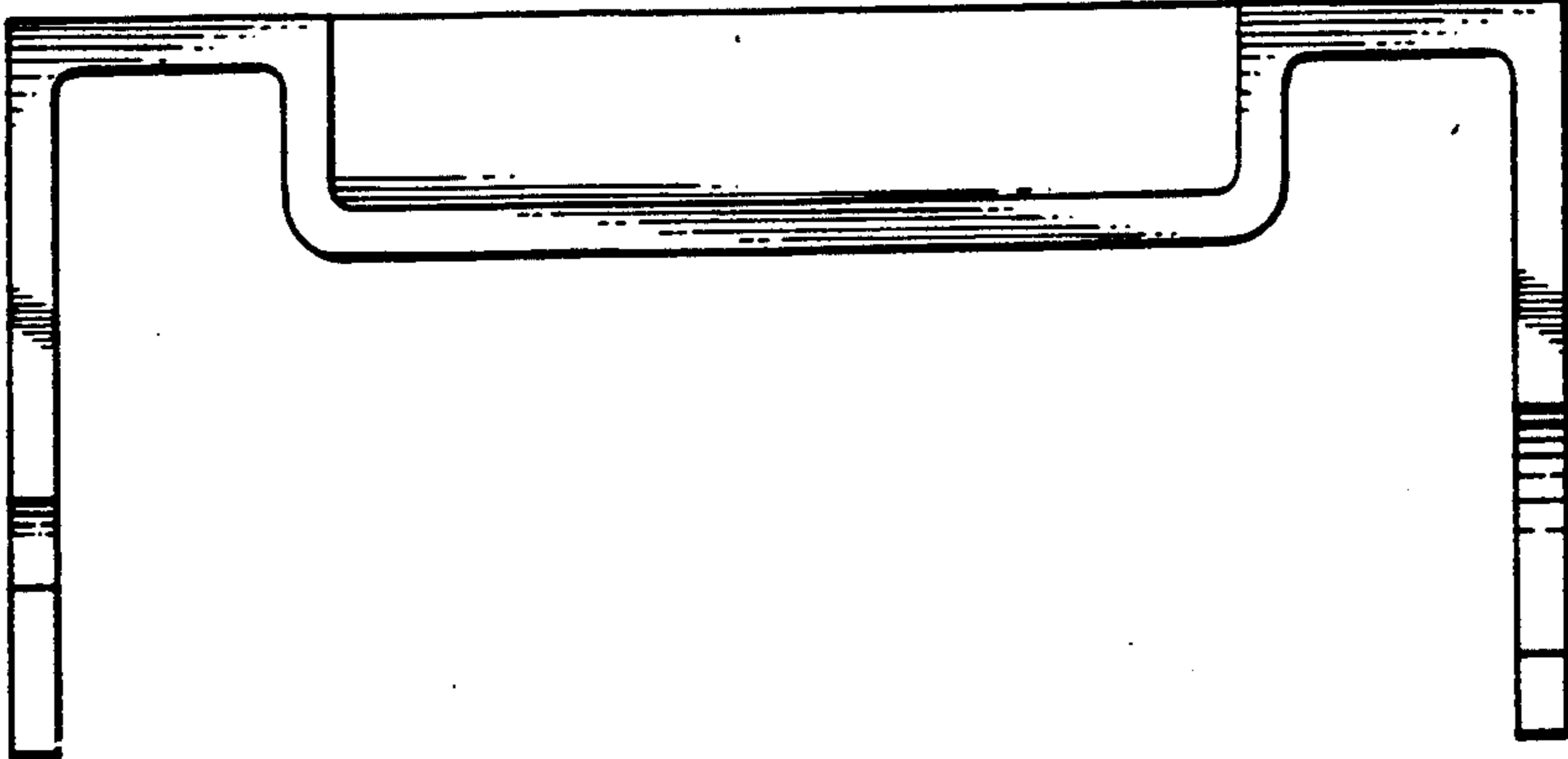


FIG. 2

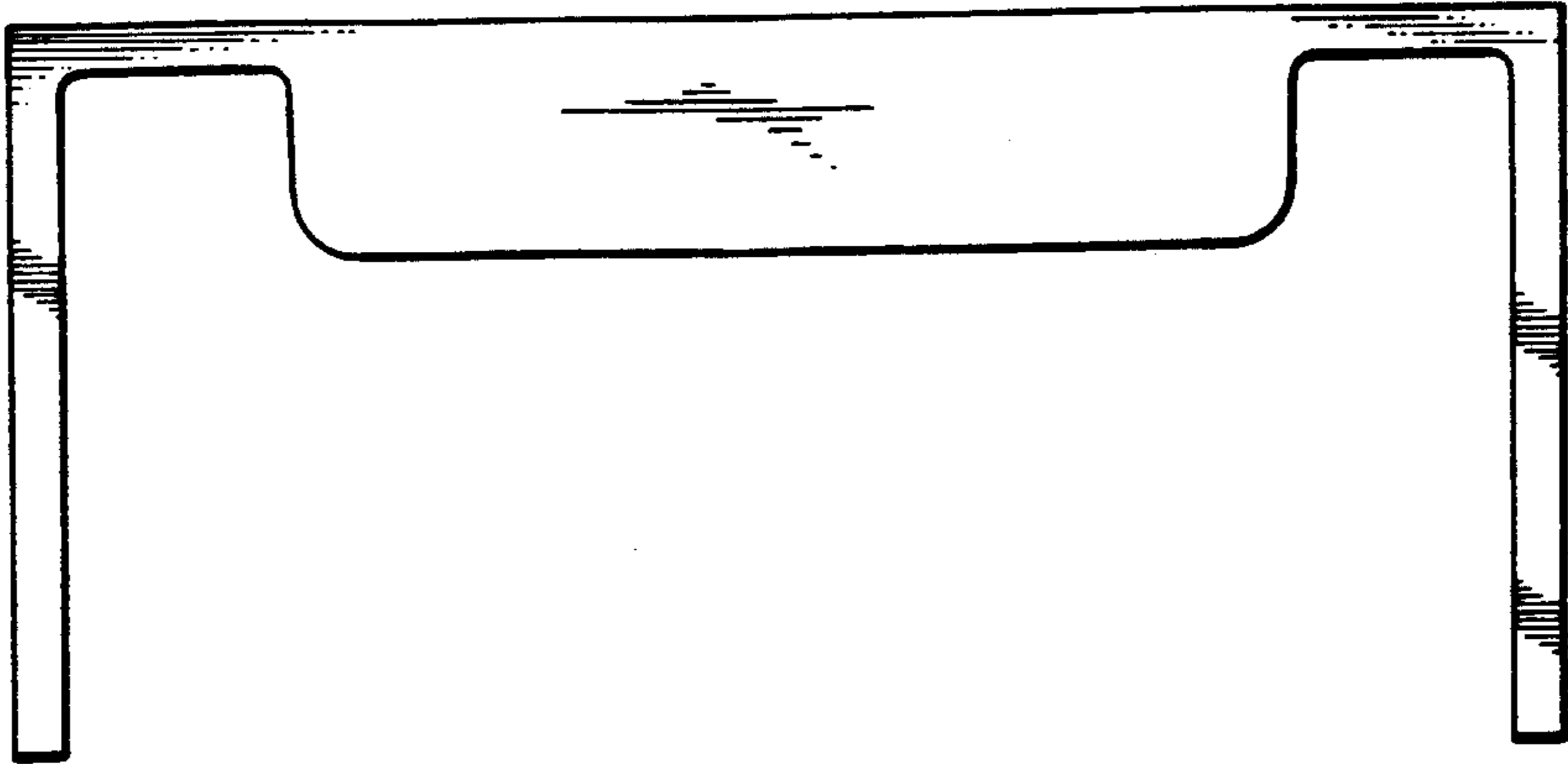


FIG. 3

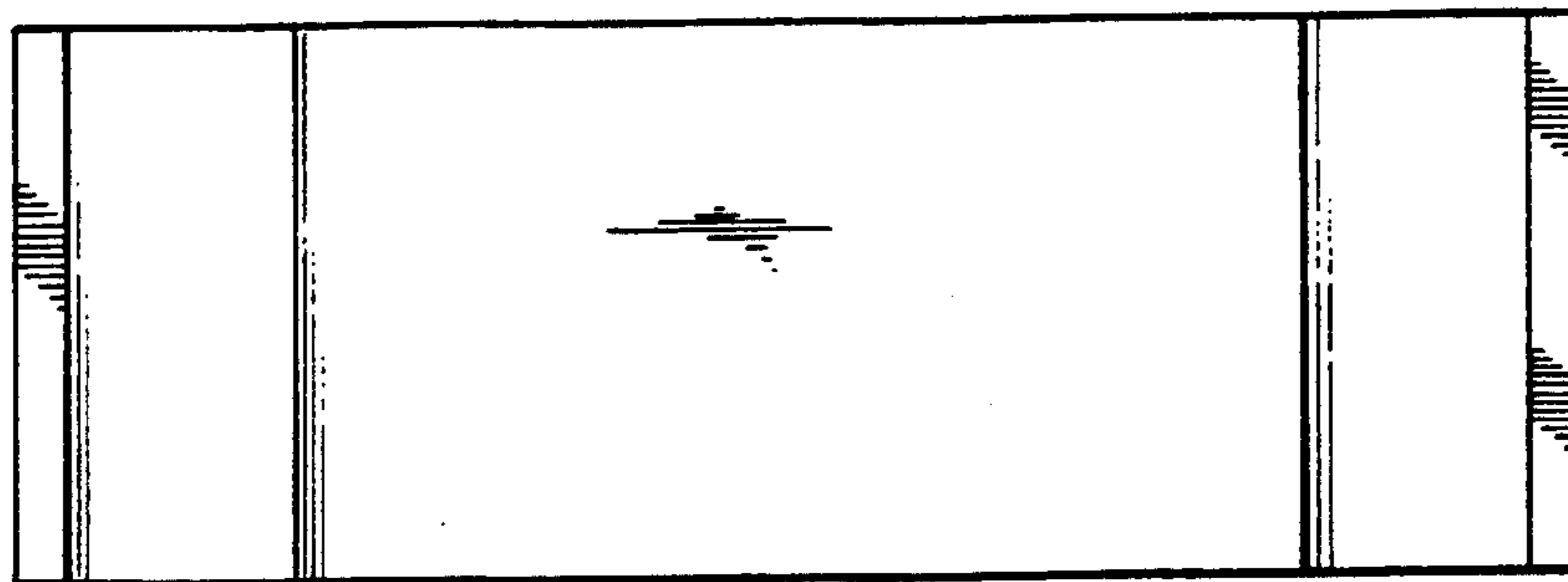


FIG. 4

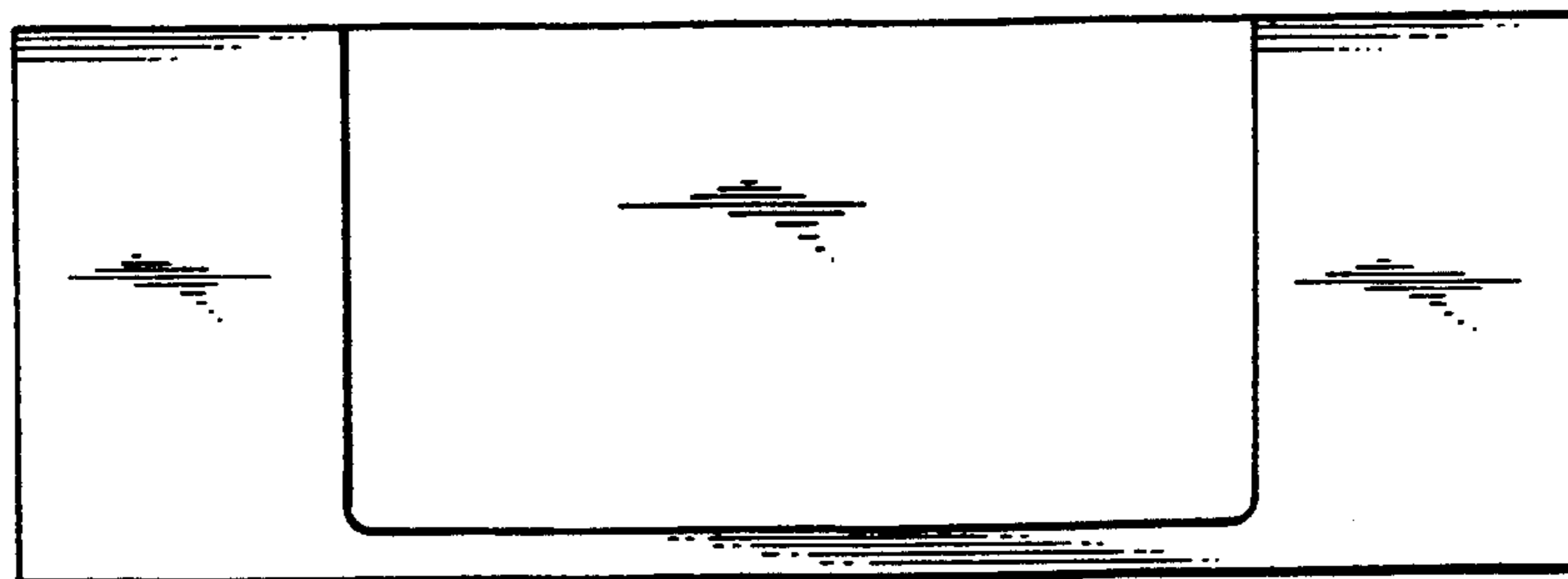


FIG. 5

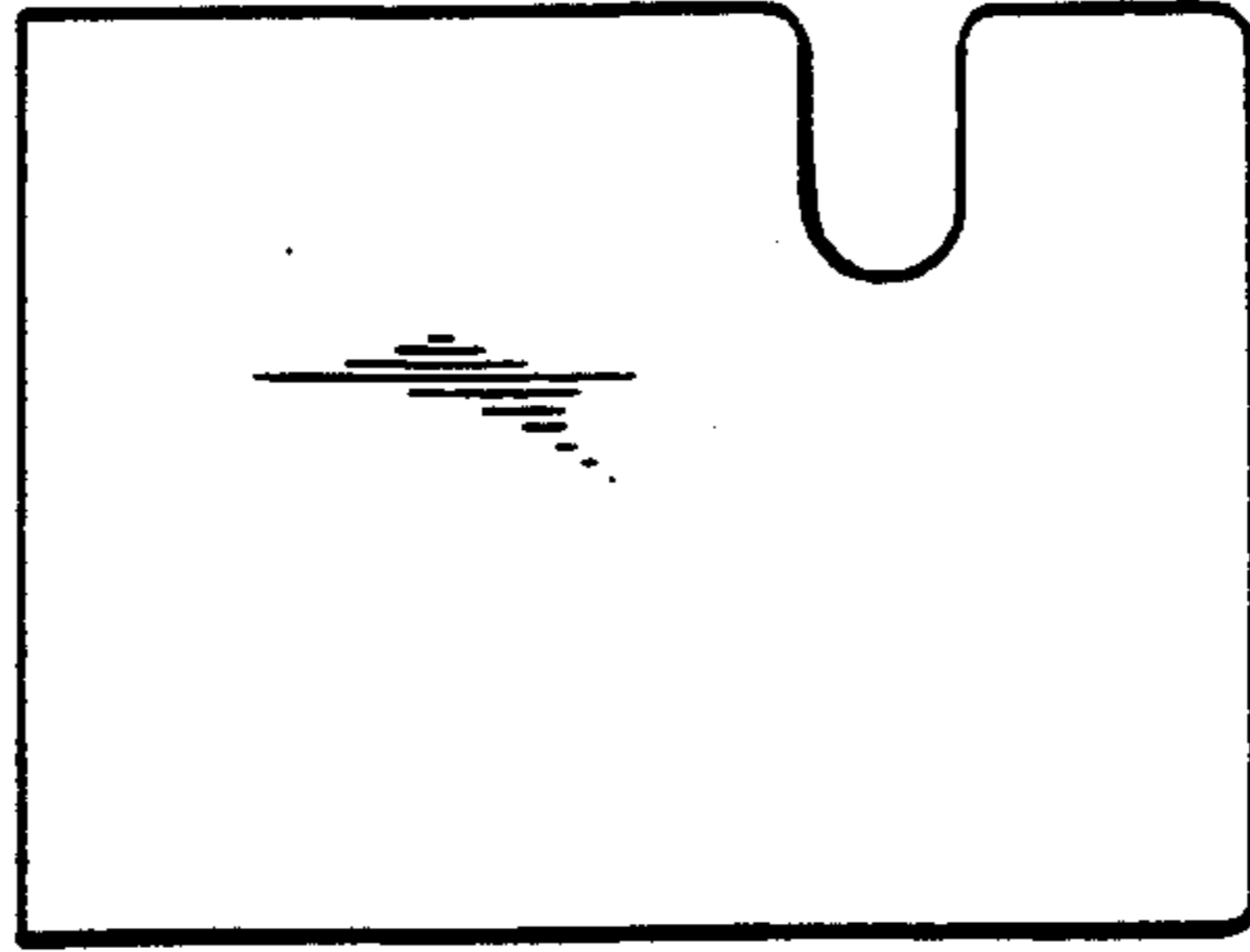


FIG. 6

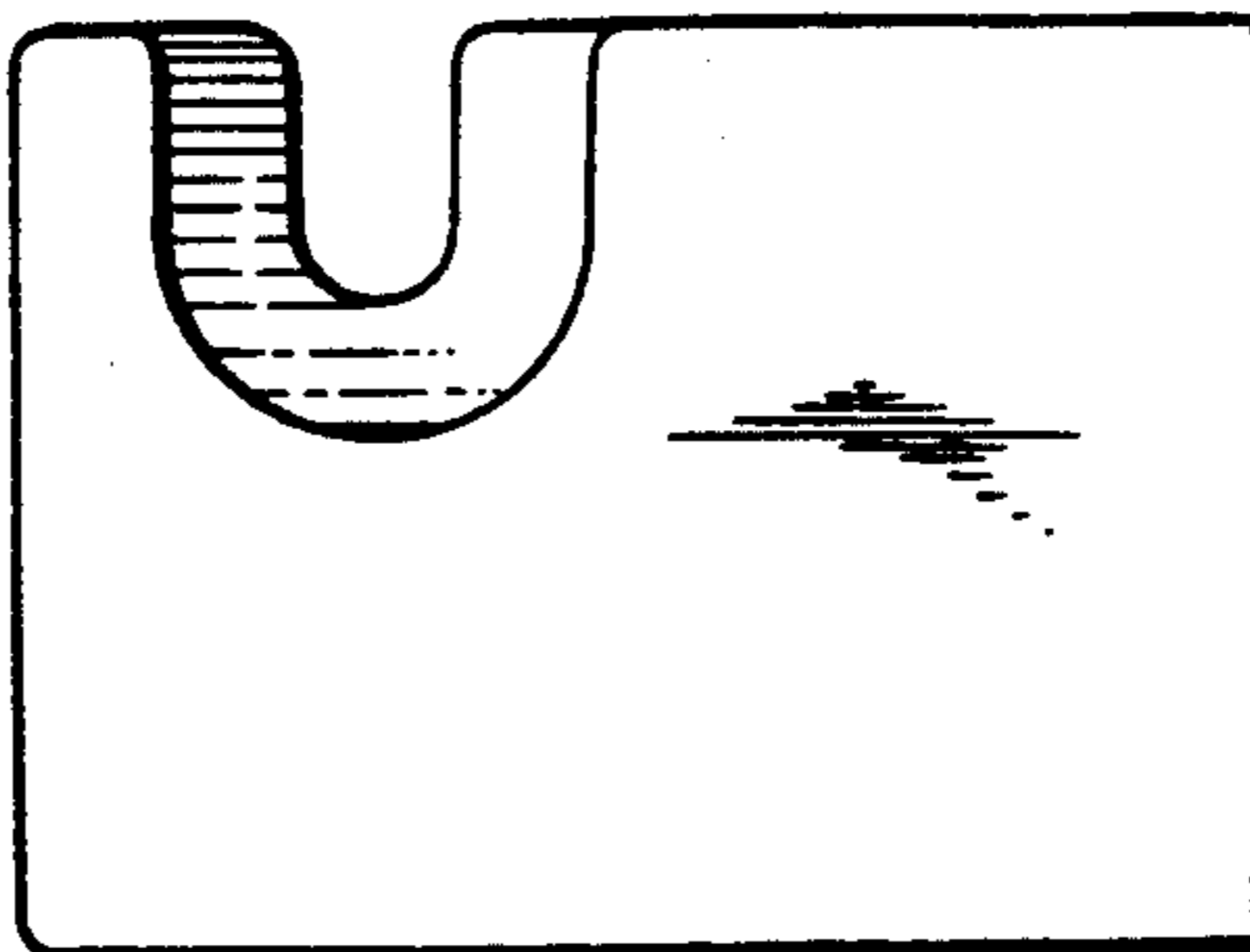


FIG. 7