



US00D324729S

# United States Patent [19]

[11] Patent Number: **Des. 324,729**

Yvetot

[45] Date of Patent: **\*\* Mar. 17, 1992**

## [54] TUB SHELL OR THE LIKE

[75] Inventor: **Roger J. Yvetot, Conflans Saint Honorine, France**

[73] Assignee: **Jacob Delafon, Paris, France**

[\*\*] Term: **14 Years**

[21] Appl. No.: **399,785**

[22] Filed: **Aug. 28, 1989**

[52] U.S. Cl. .... **D23/281**

[58] Field of Search ..... **D23/270-283, D23/303-307; 4/513, 538-544, 546, 559, 571-579, 584, 589, 590**

## [56] References Cited

### U.S. PATENT DOCUMENTS

D. 253,125	10/1979	Primault	.....	D23/282
D. 253,547	11/1979	Beddome et al.	.	
D. 278,844	5/1985	Stairs, Jr.	.....	D23/277
D. 288,470	2/1987	Diamond	.....	D23/277
1,445,243	2/1923	Spaleck	.	

## OTHER PUBLICATIONS

Several pages from a Jacob Delafon advertisement showing the "Ibiza", Lyria, and Naema tubs, undated. Pages 6-34, 6-35, 6-10, and 6-11 from the Kohler Co. K-400 catalog dated 9/86 and 4/88 respectively.

*Primary Examiner*—Susan J. Lucas  
*Attorney, Agent, or Firm*—Quarles & Brady

## [57] CLAIM

The ornamental design for a tub shell or the like, as shown and described.

## DESCRIPTION

FIG. 1 is a perspective view taken from the top, front and right side of a tub shell or the like showing my new design;

FIG. 2 is an alternate perspective view taken from the top, rear and left side thereof;

FIG. 3 is a top plan view thereof;

FIG. 4 is a cross-sectional view taken on line 4—4 of FIG. 3;

FIG. 5 is a cross-sectional view taken on line 5—5 of FIG. 3; and

FIG. 6 is a top plan view of a second embodiment of my new design, the second embodiment differing from the first only in length.

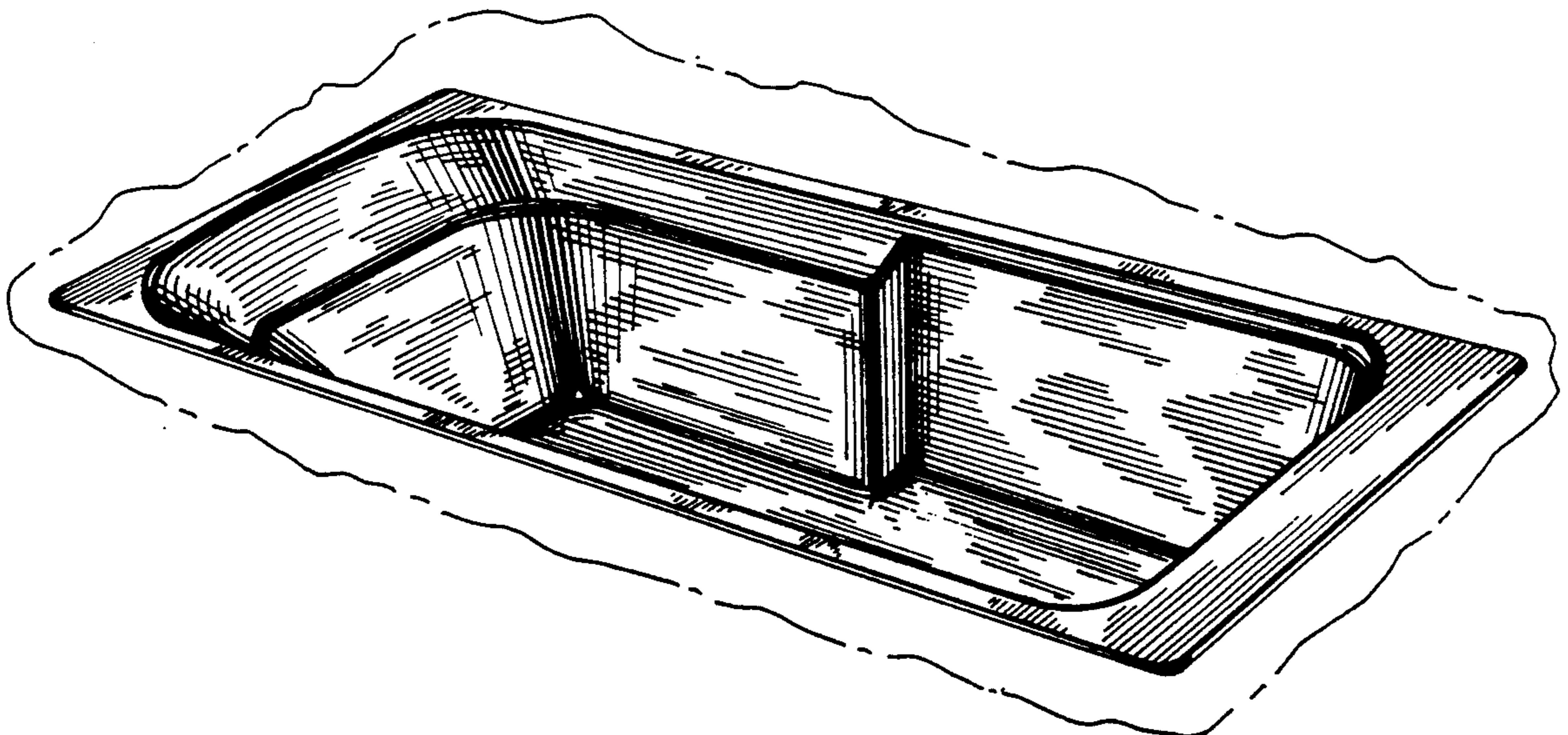


FIG. 1

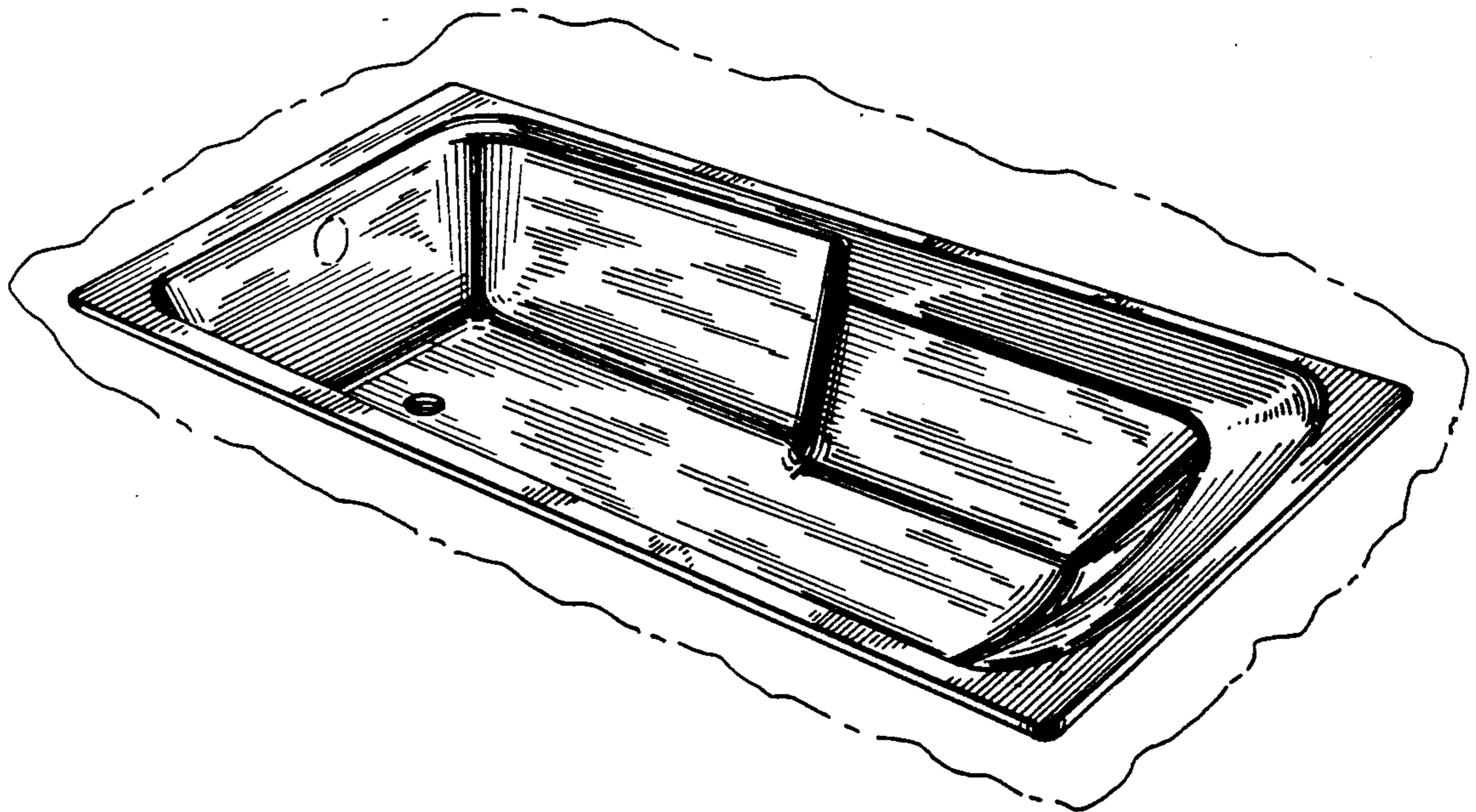
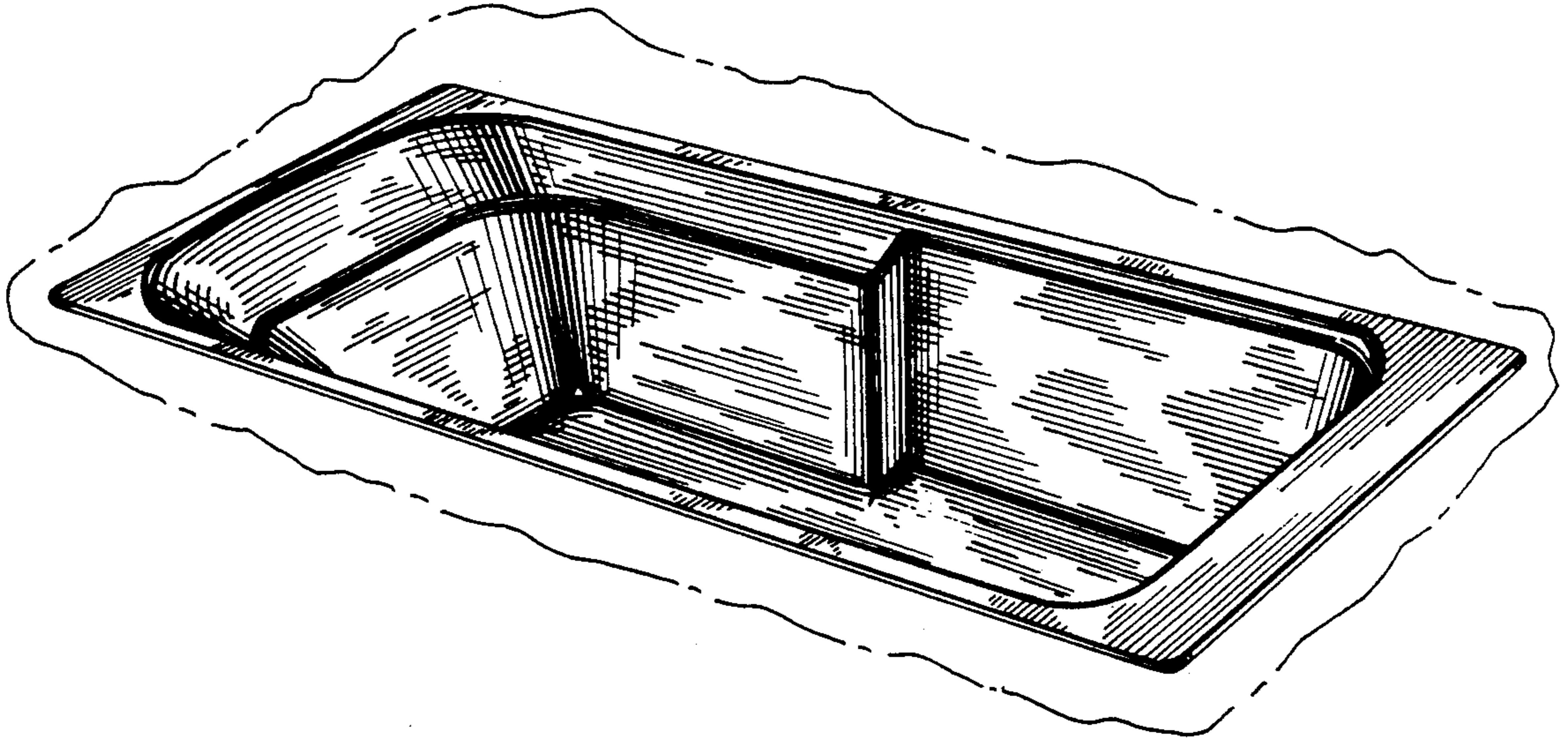


FIG. 2

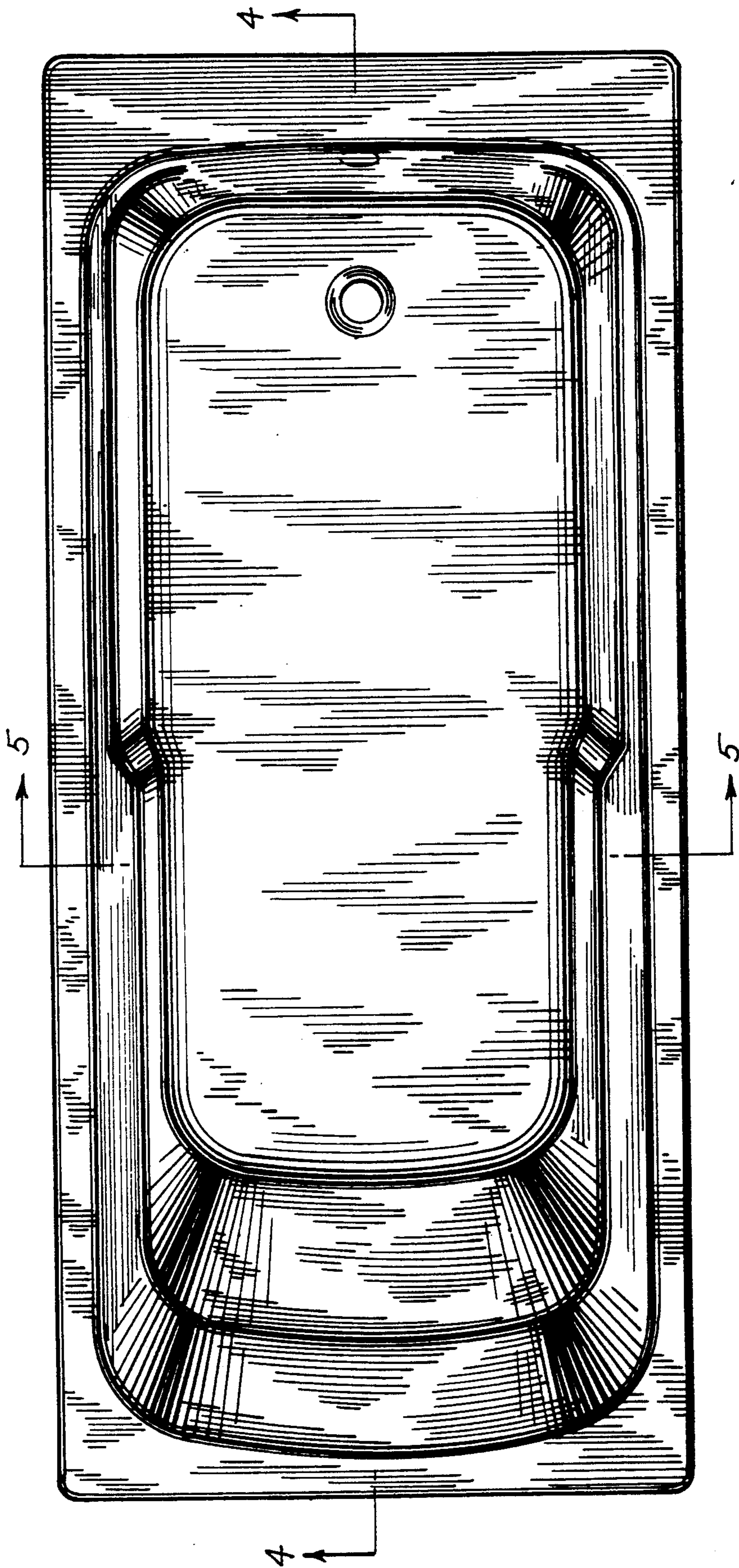


FIG. 3

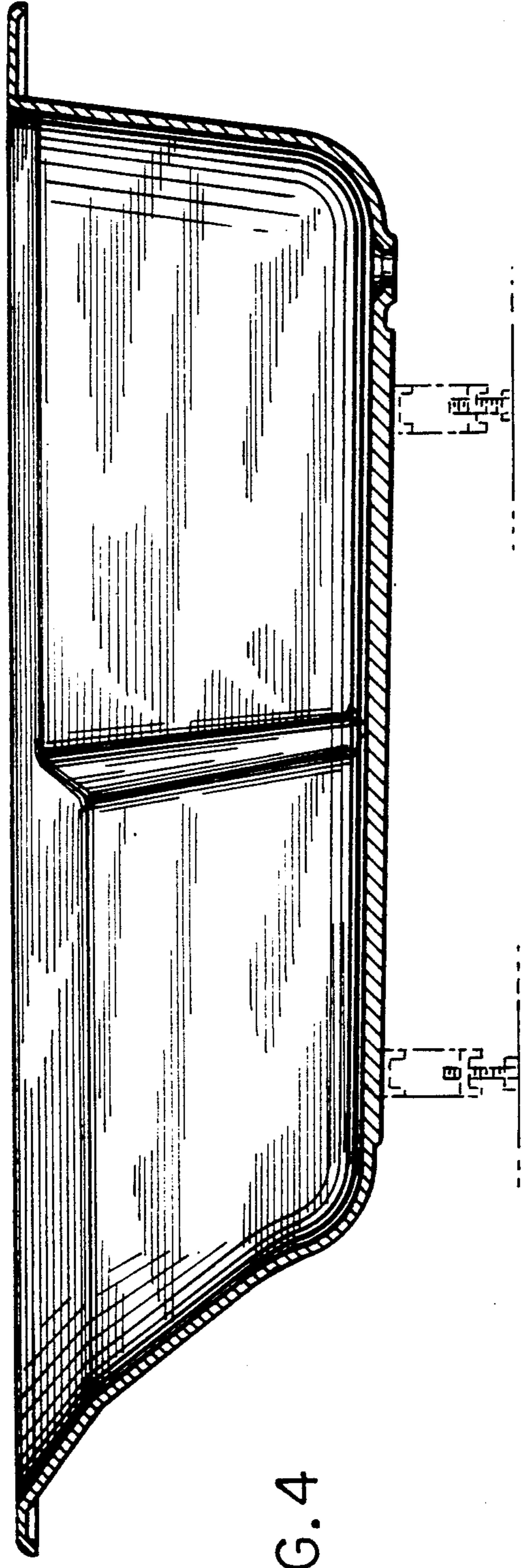


FIG. 4

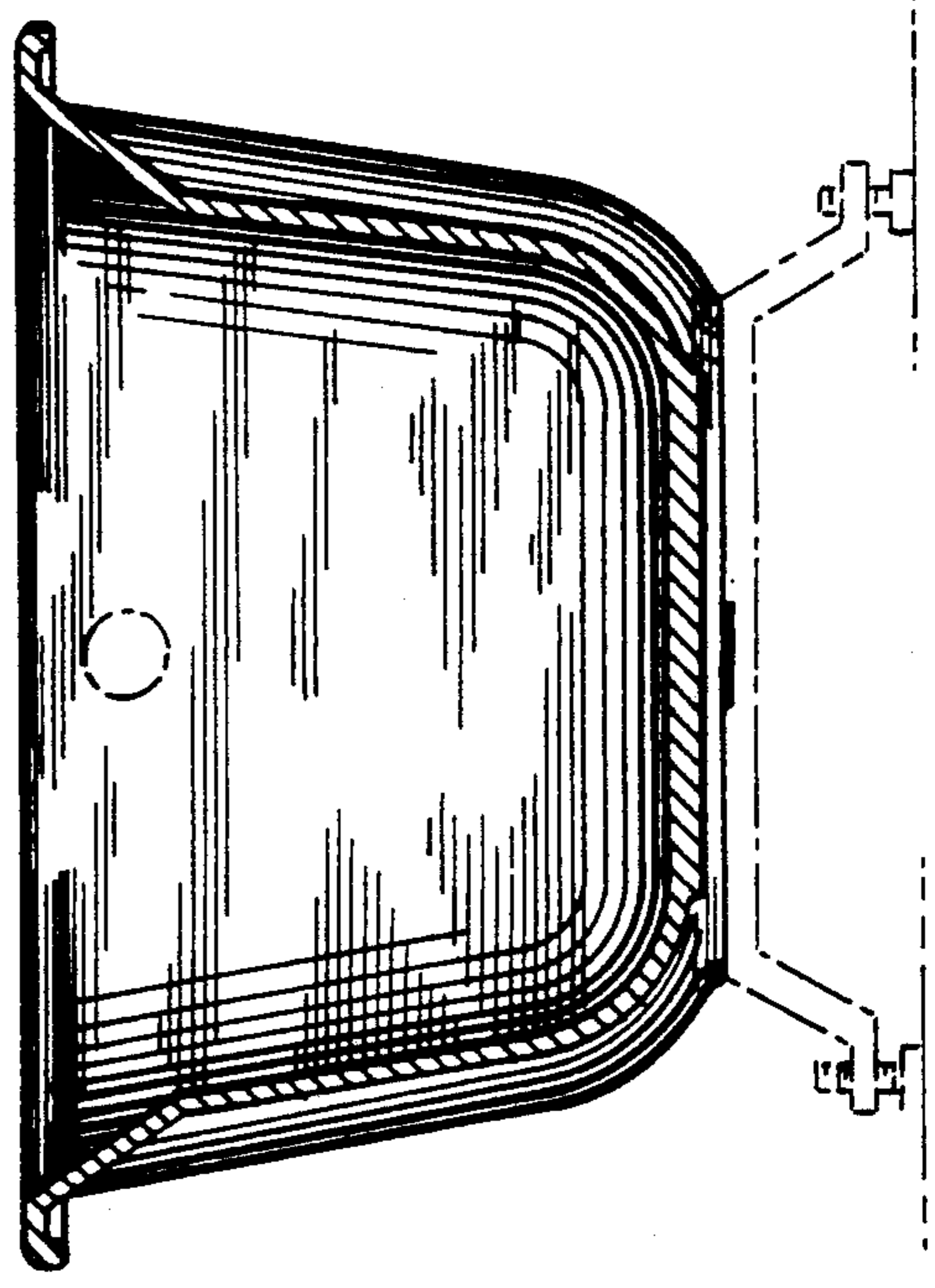


FIG. 5

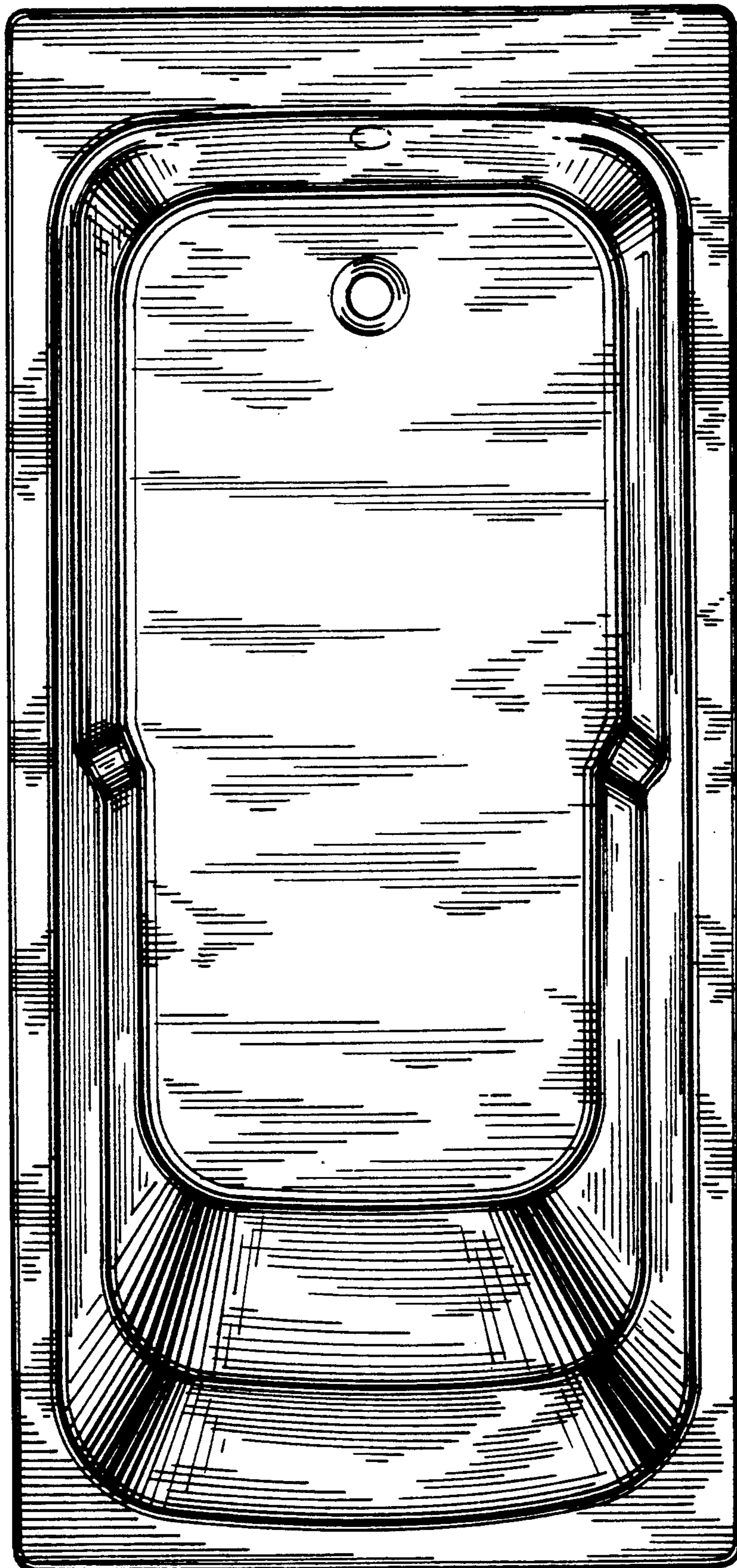


FIG. 6