



US00D324728S

United States Patent [19]

[11] Patent Number: **Des. 324,728**

Yvetot

[45] Date of Patent: **** Mar. 17, 1992**

[54] **TUB SHELL OR THE LIKE**

[75] Inventor: **Roger J. Yvetot, Conflans Saint Honorine, France**

[73] Assignee: **Jacob Delafon, Paris, France**

[**] Term: **14 Years**

[21] Appl. No.: **398,852**

[22] Filed: **Aug. 25, 1989**

[52] U.S. Cl. **D23/281**

[58] Field of Search **D23/270-283, D23/303-307; 4/513, 538-544, 546, 559, 571-579, 584, 589, 590**

Undated Hytec advertisement for the "Loreal" tub.
1987 Owens Corning advertisement for the "Tranquility" oval bath.
Jacob Delafon advertisement showing various whirlpools entitled "La fonte eter", undated.
1985 Jacob Delafon advertisement for the "Aloha" tub.
Two pages of Jacob Delafon advertisements, undated, showing various tubs.

Primary Examiner—Susan J. Lucas
Attorney, Agent, or Firm—Quarles & Brady

[57] **CLAIM**

The ornamental design for a tub shell or the like, as shown and described.

[56] **References Cited**

U.S. PATENT DOCUMENTS

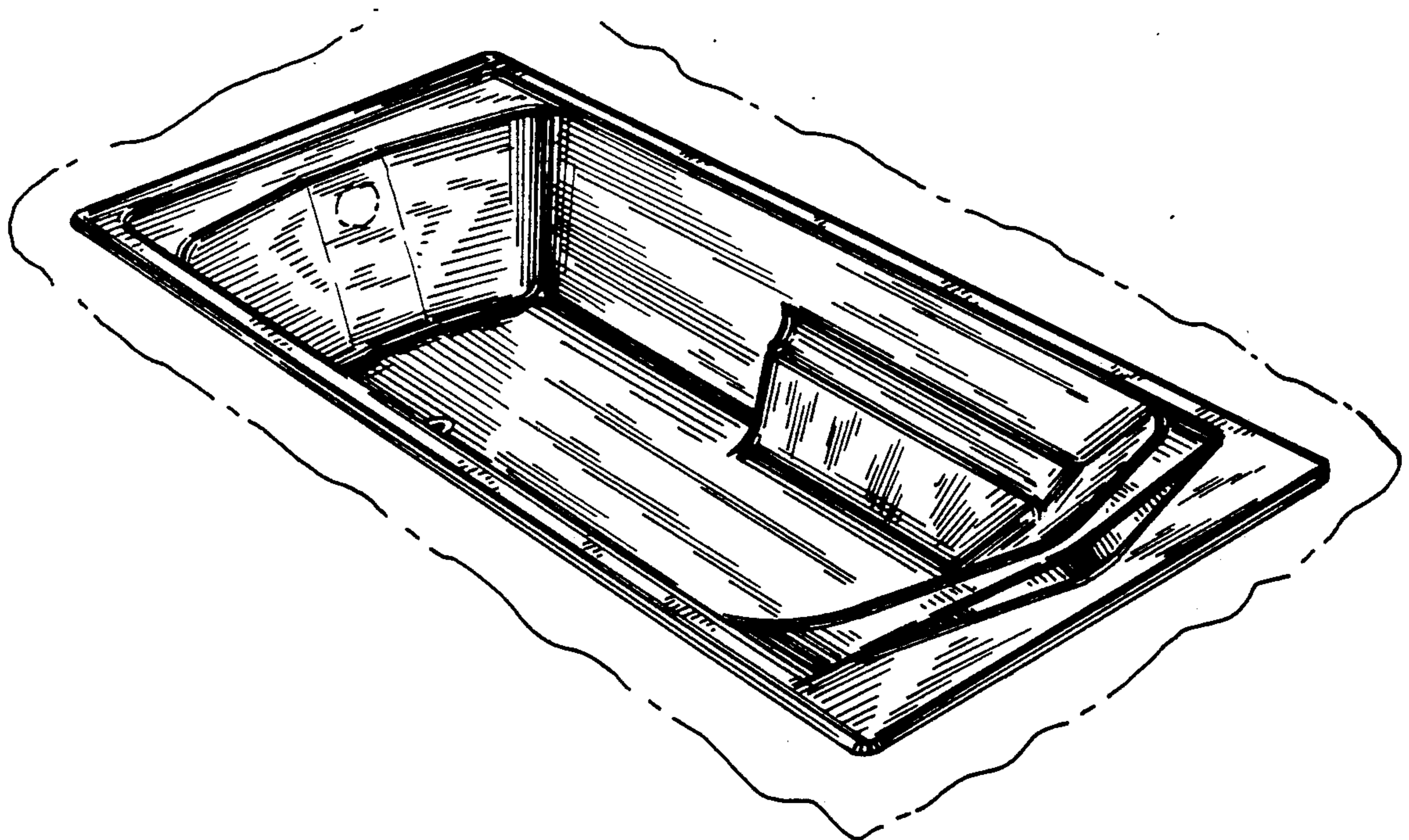
- D. 267,813 2/1983 Lippert, Jr. et al. D23/281
- D. 286,568 11/1986 Kingsley D23/277 X
- D. 300,454 3/1989 Stairs, Jr. D23/277
- D. 301,607 6/1989 Macia D23/282
- D. 311,770 10/1990 Sauter et al. D23/277

OTHER PUBLICATIONS

Jacob Delafon advertistment for the "Plenitude" bath, undated.
Hytec advertisement for the "Capri" tub, undated.
Undated Water Jet advertisement for the "Prestige" tub.

DESCRIPTION

FIG. 1 is a perspective view from the top, front and right side of a tub shell or the like showing my new design;
FIG. 2 is an alternate perspective view taken from the top, rear and left side thereof;
FIG. 3 is a top plan view thereof;
FIG. 4 is a cross-sectional view taken on line 4—4 of FIG. 3;
FIG. 5 is a cross-sectional view taken on line 5—5 of FIG. 3; and
FIG. 6 is a top plan view of a second embodiment of my new design, the second embodiment differing from the first only in length.



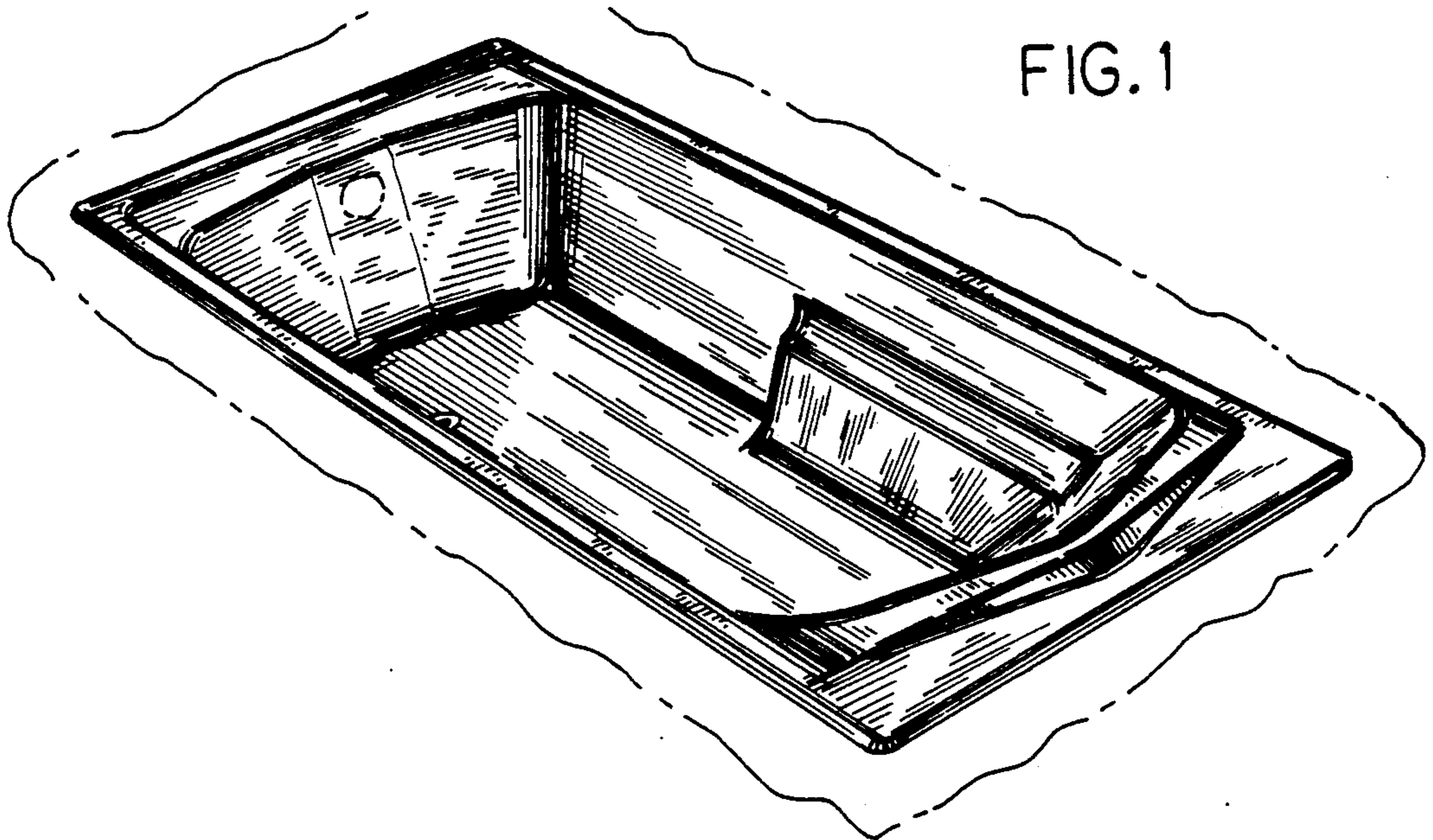


FIG. 1

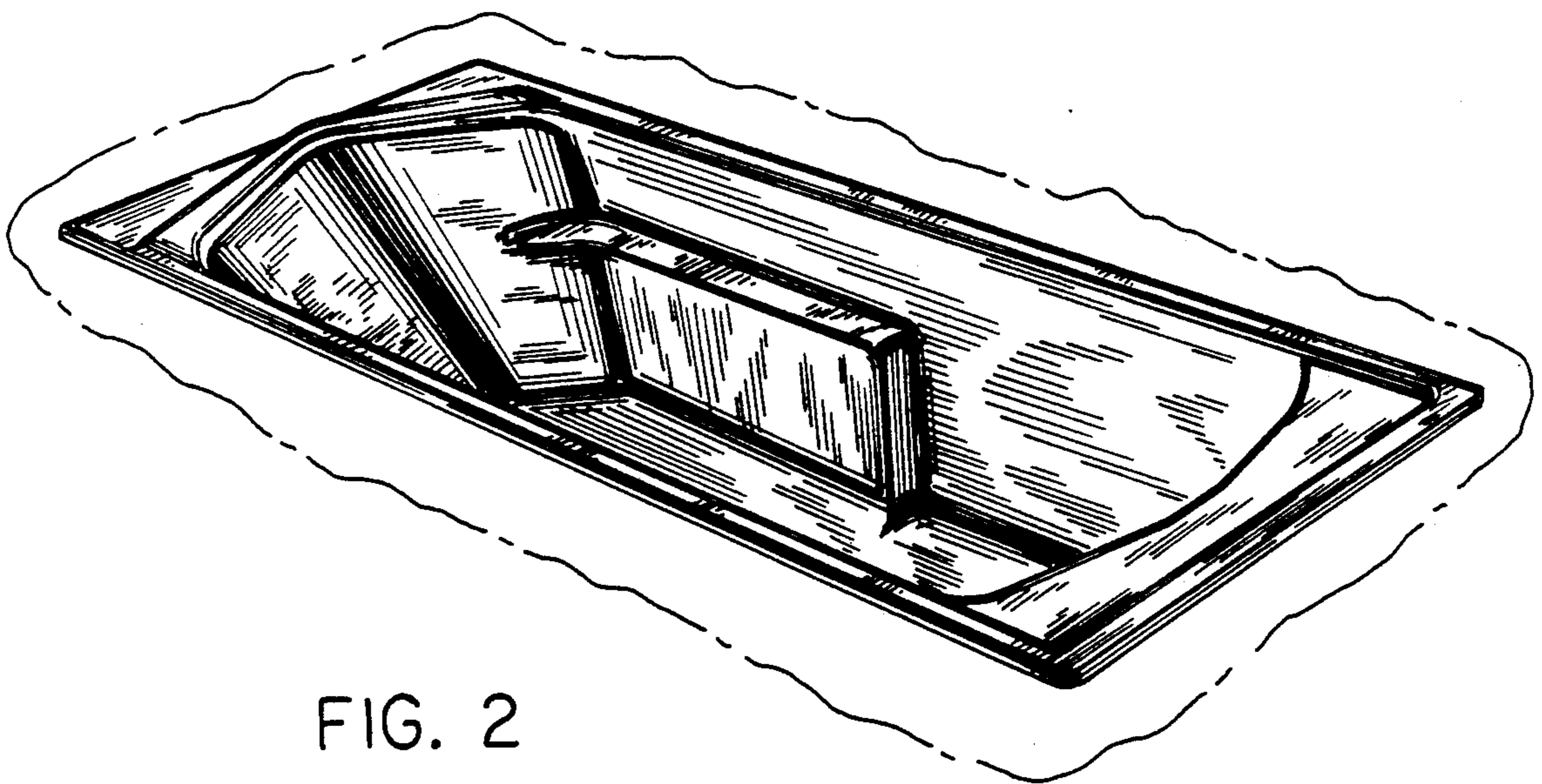


FIG. 2

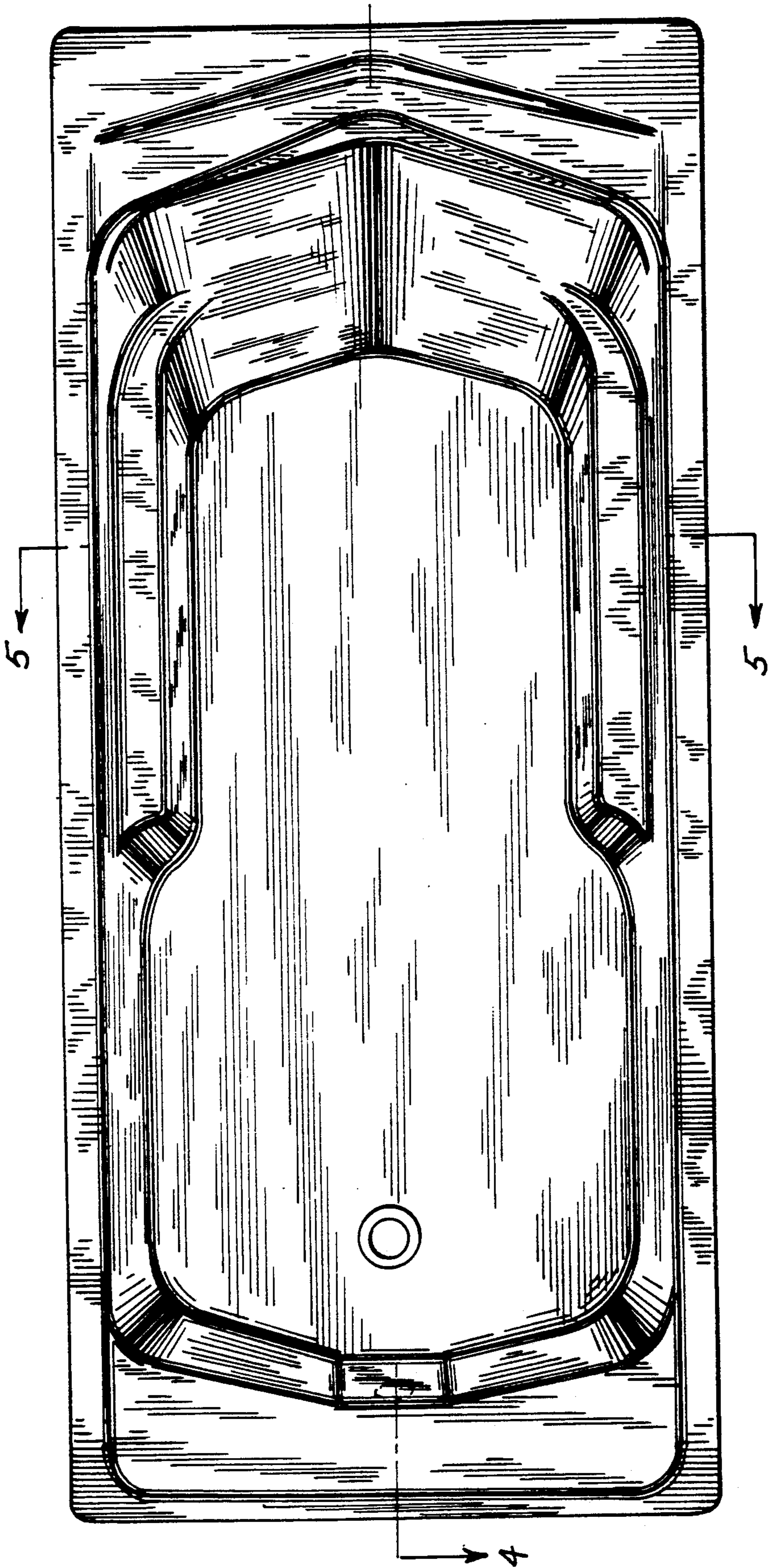
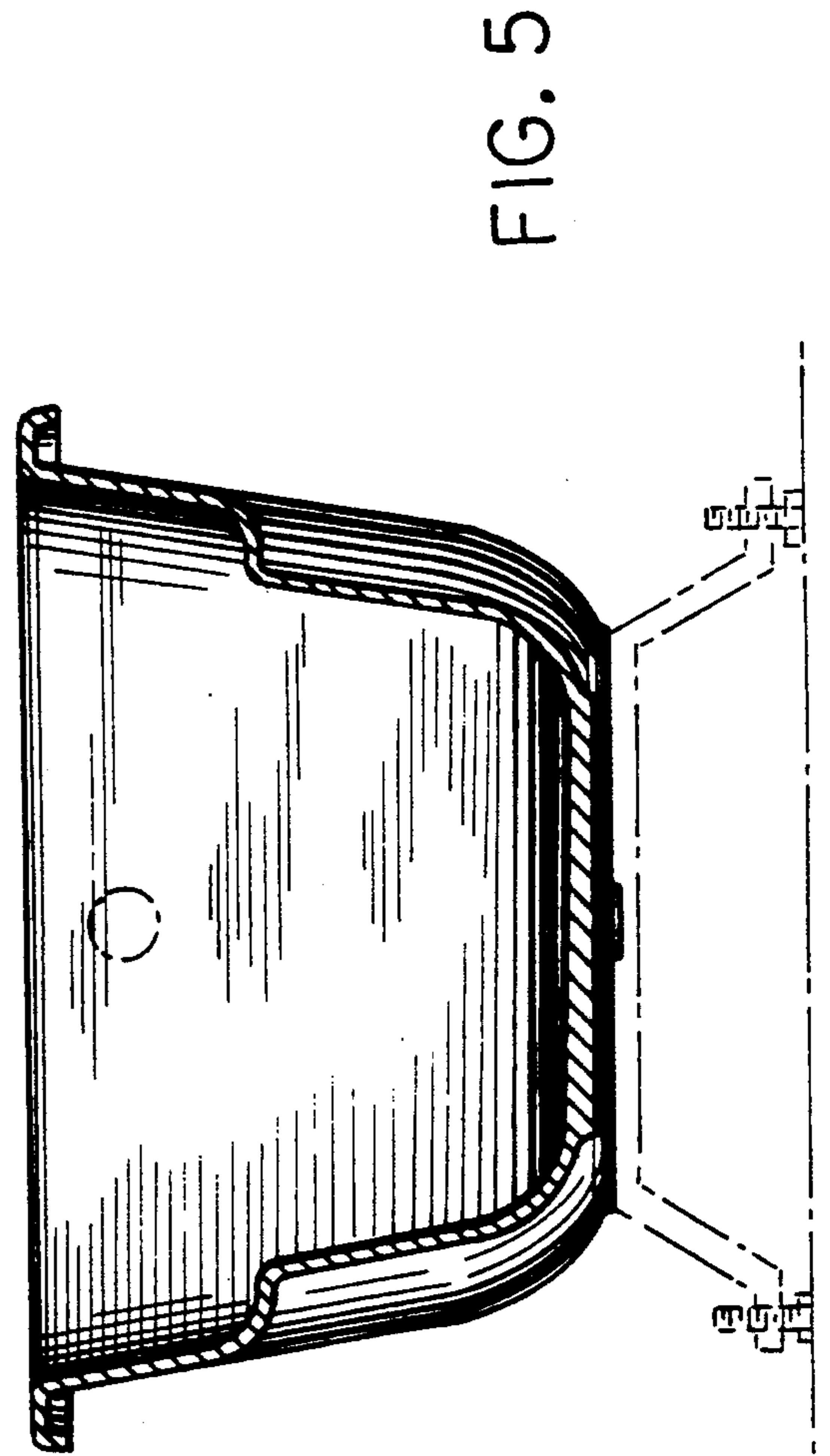
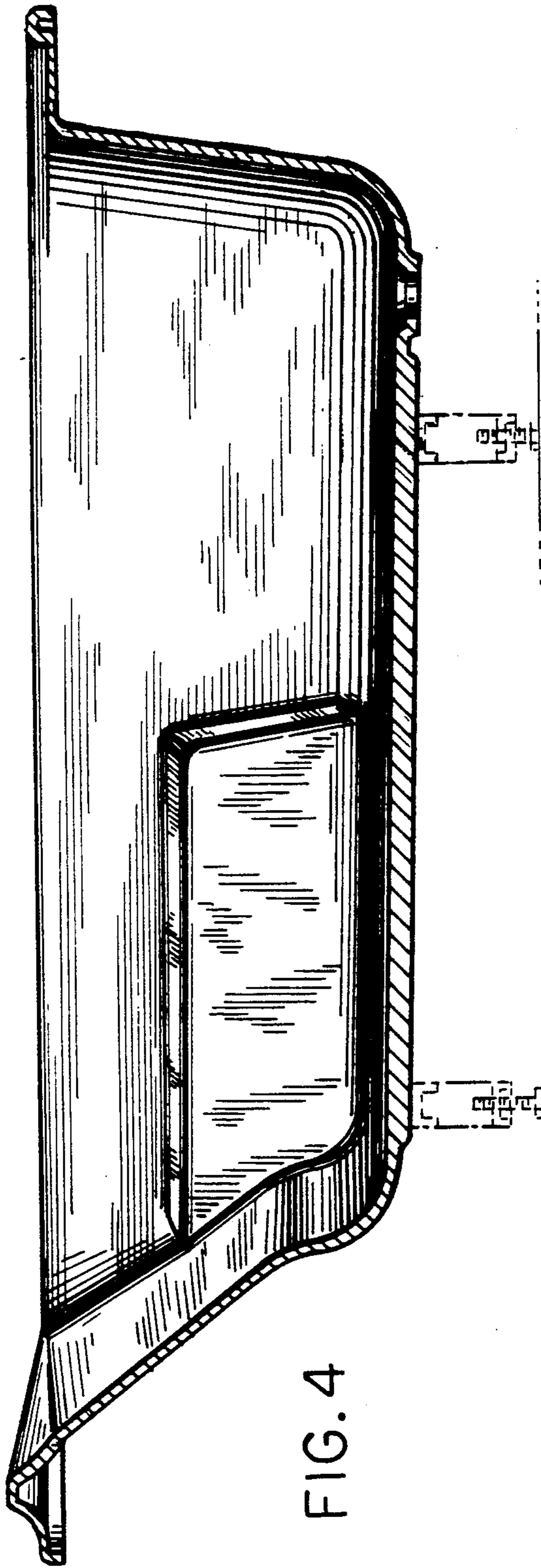


FIG. 3



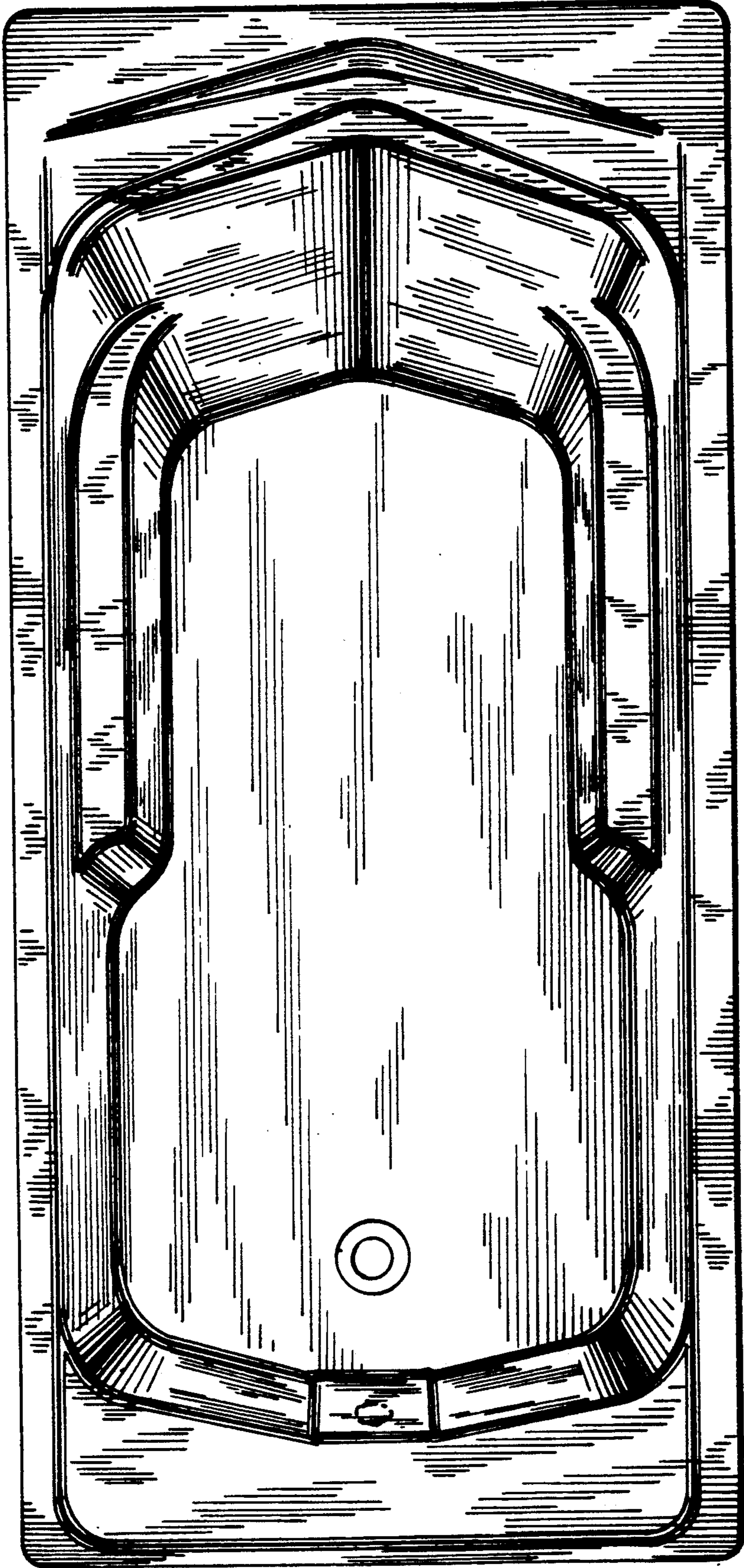


FIG. 6