



US00D324723S

United States Patent [19]

[11] Patent Number: **Des. 324,723**

Chretien

[45] Date of Patent: **** Mar. 17, 1992**

[54] FAUCET

[75] Inventor: **Philippe Chretien, Dietlikon, Switzerland**

[73] Assignee: **KWC/AG, Unterkulm, Switzerland**

[**] Term: **14 Years**

[21] Appl. No.: **449,739**

[22] Filed: **Dec. 13, 1989**

[30] Foreign Application Priority Data

Jun. 13, 1989 [CH] Switzerland 117489

[52] U.S. Cl. **D23/238**

[58] Field of Search **D23/238-243, D23/250-257; 4/191, 192; 137/801**

[56] References Cited

U.S. PATENT DOCUMENTS

- D. 183,672 10/1958 Barker D23/238
- D. 217,670 5/1970 Rowlands D23/238
- D. 220,101 3/1971 Brown et al. D23/238
- D. 227,762 7/1973 Arbon D23/238
- D. 253,601 12/1979 Haug D23/238

- D. 290,492 6/1987 Hill et al. D23/238
- D. 291,232 8/1987 Haug et al. D23/238
- D. 291,234 8/1987 Bergmann et al. D23/238
- D. 291,235 8/1987 Bergmann et al. D23/238
- D. 291,590 8/1987 Bengtsson D23/238
- D. 301,162 5/1989 Oberdorfer D23/238

OTHER PUBLICATIONS

Domestic Engineering, Feb. 1987, p. 55.

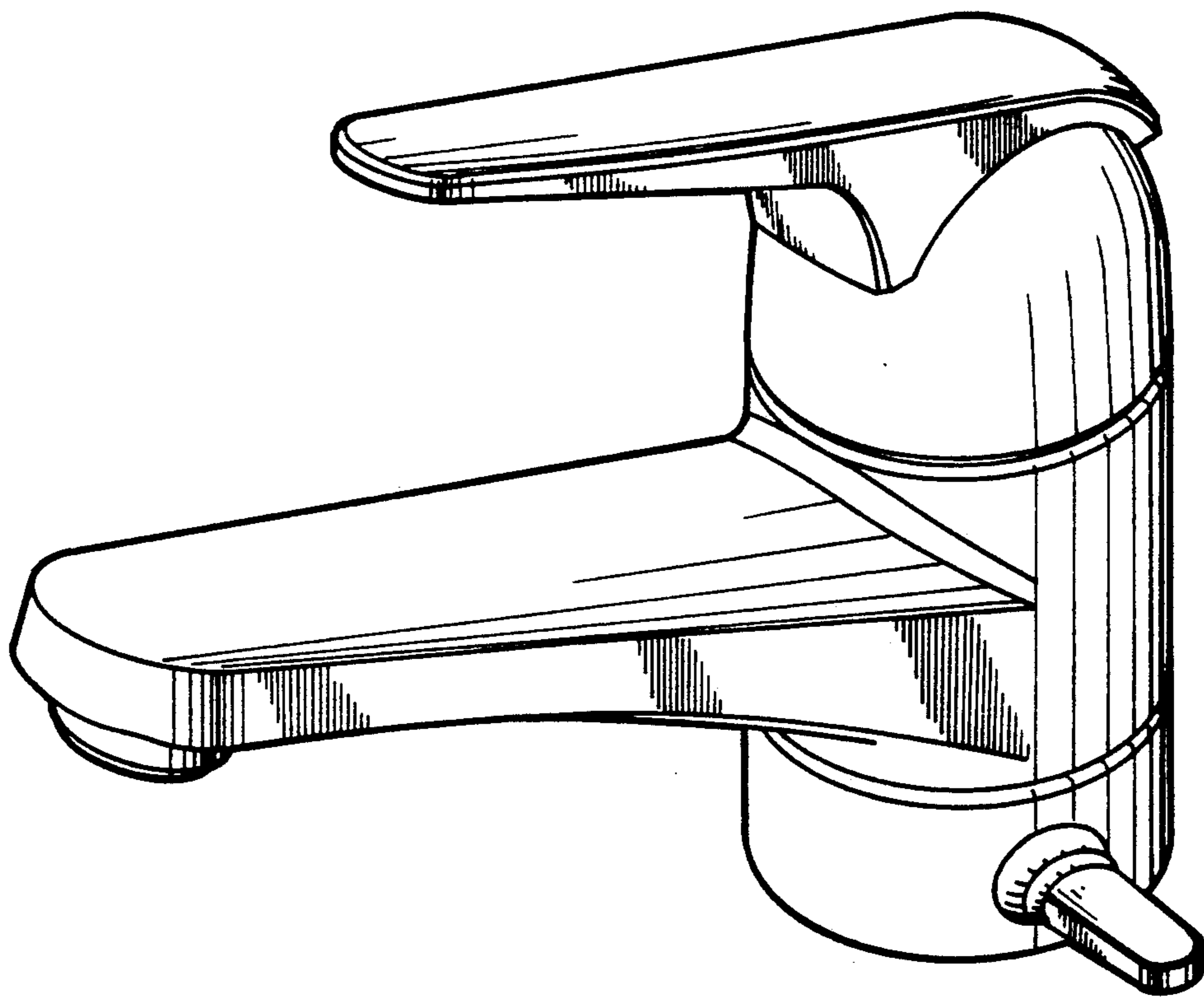
Primary Examiner—James R. Largen
Attorney, Agent, or Firm—Oblon, Spivak, McClelland, Maier & Neustadt

[57] CLAIM

The ornamental design for a faucet, as shown.

DESCRIPTION

FIG. 1 is a right side elevational view of a faucet showing my new design;
 FIG. 2 is a left side elevational view thereof;
 FIG. 3 is a perspective view taken from the top, front and right side thereof;
 FIG. 4 is a top plan view thereof; and
 FIG. 5 is a rear view thereof.



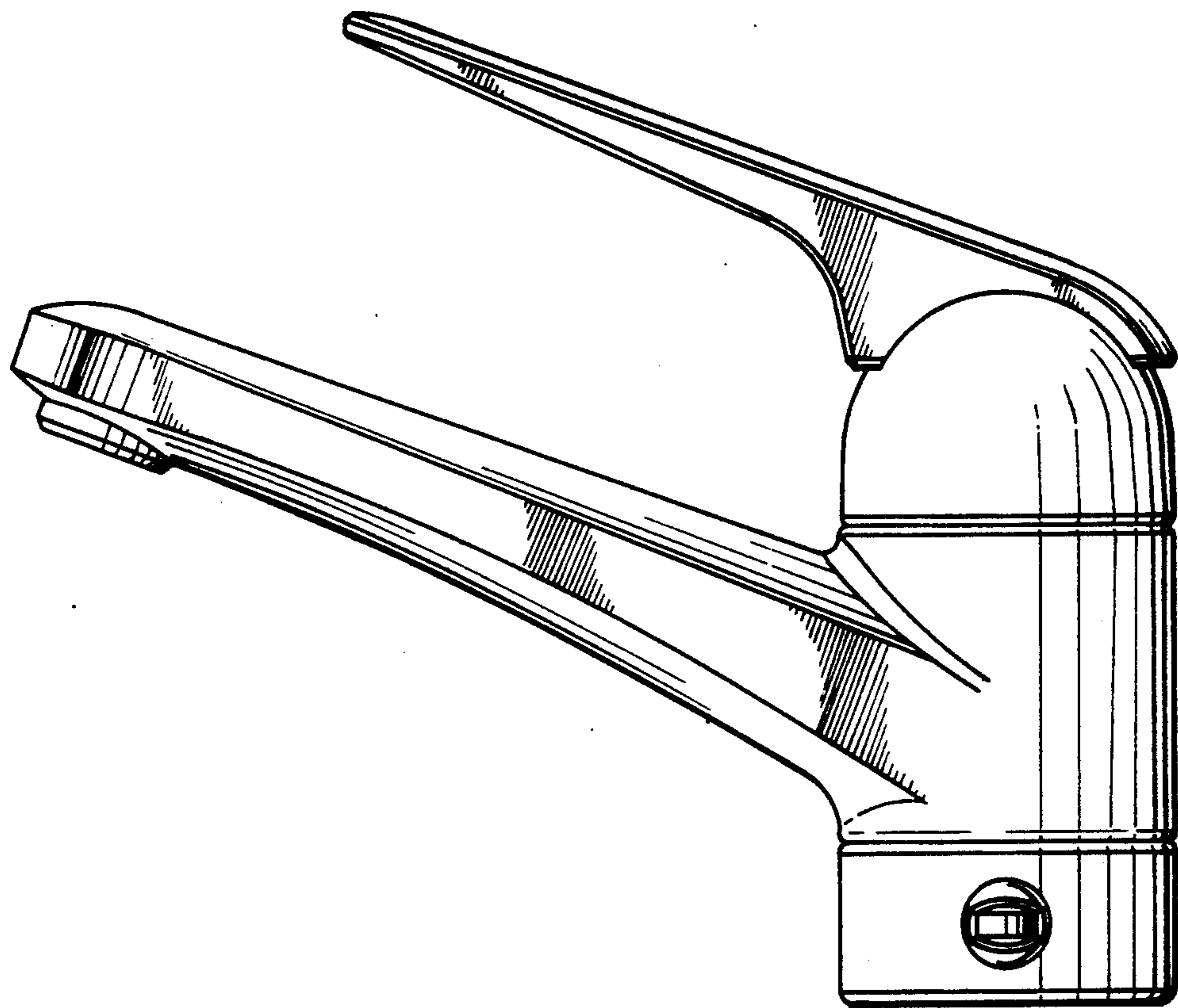


FIG.1

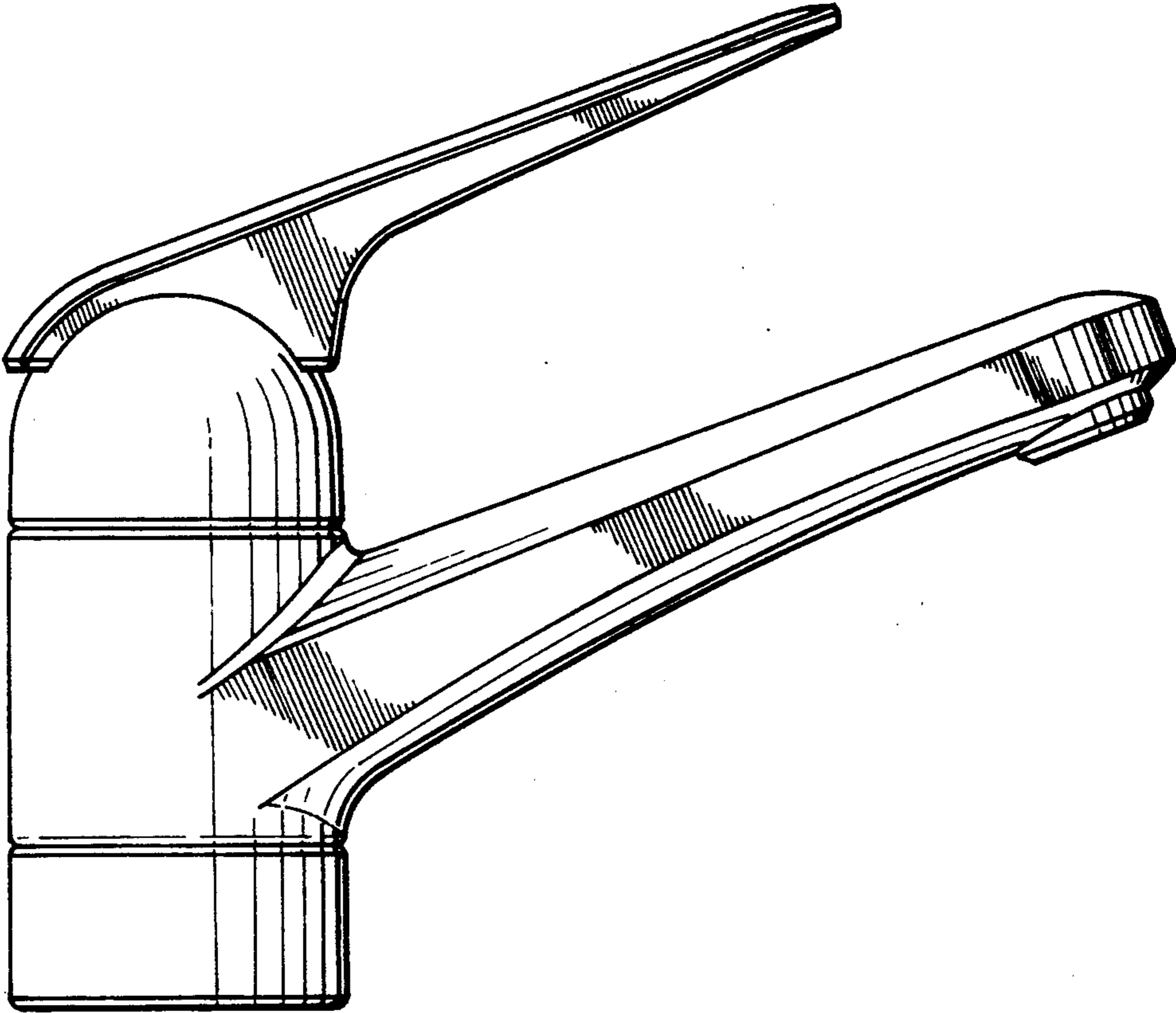


FIG. 2

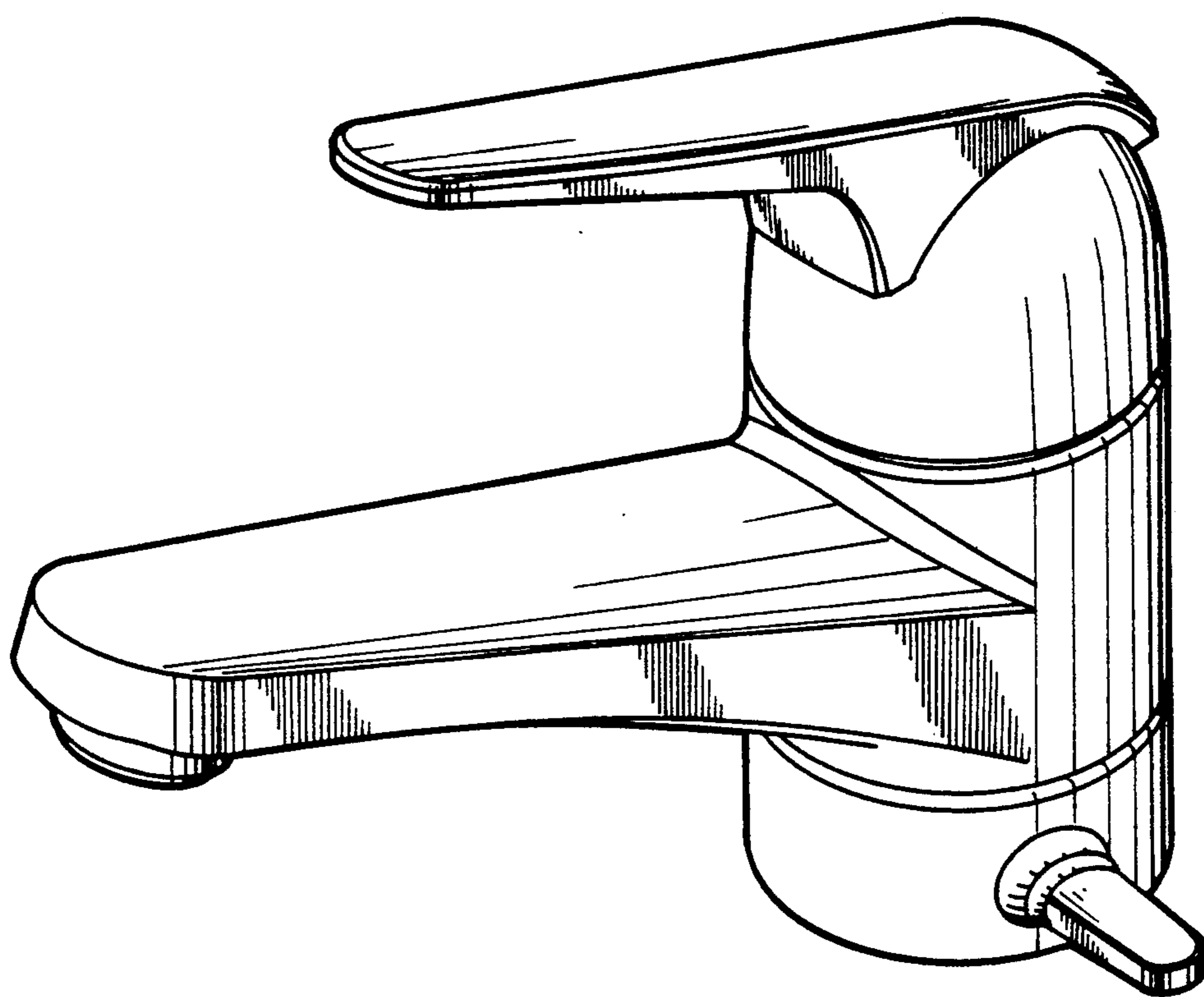


FIG. 3

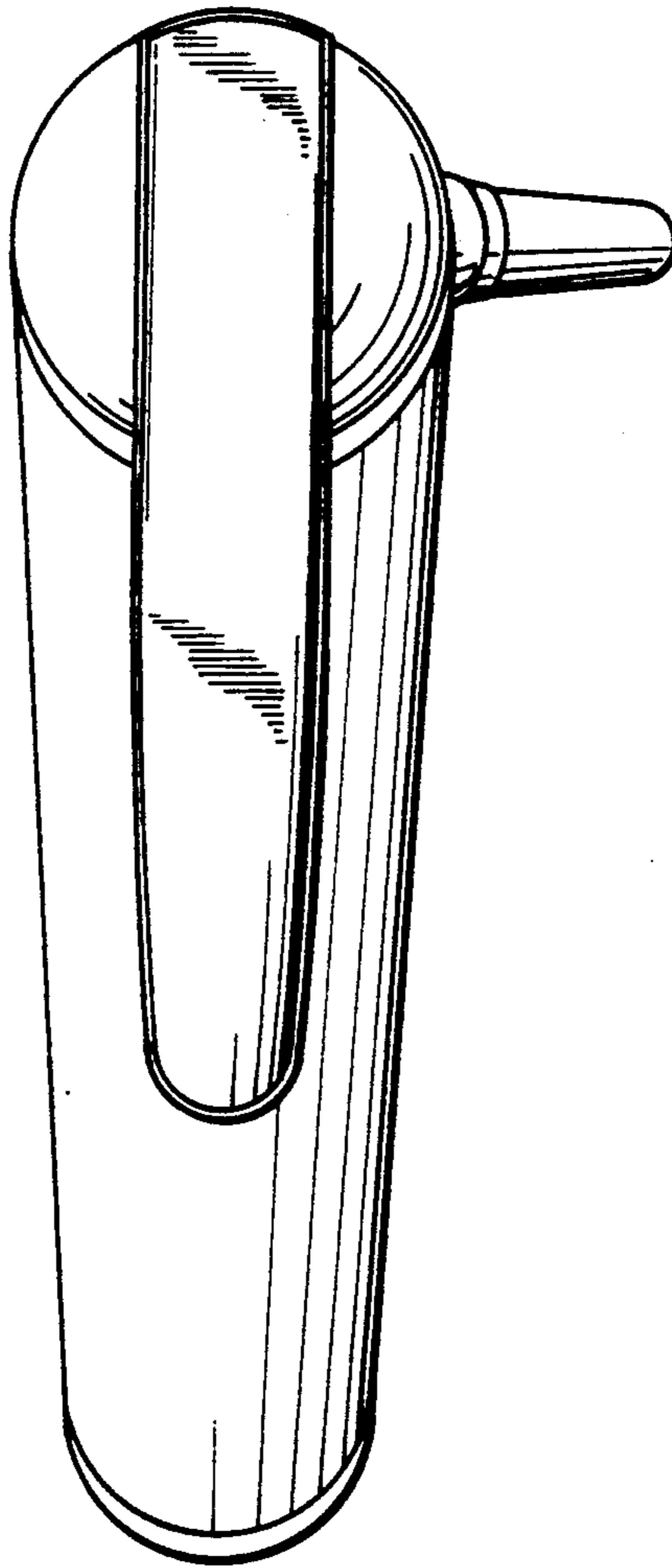


FIG. 4

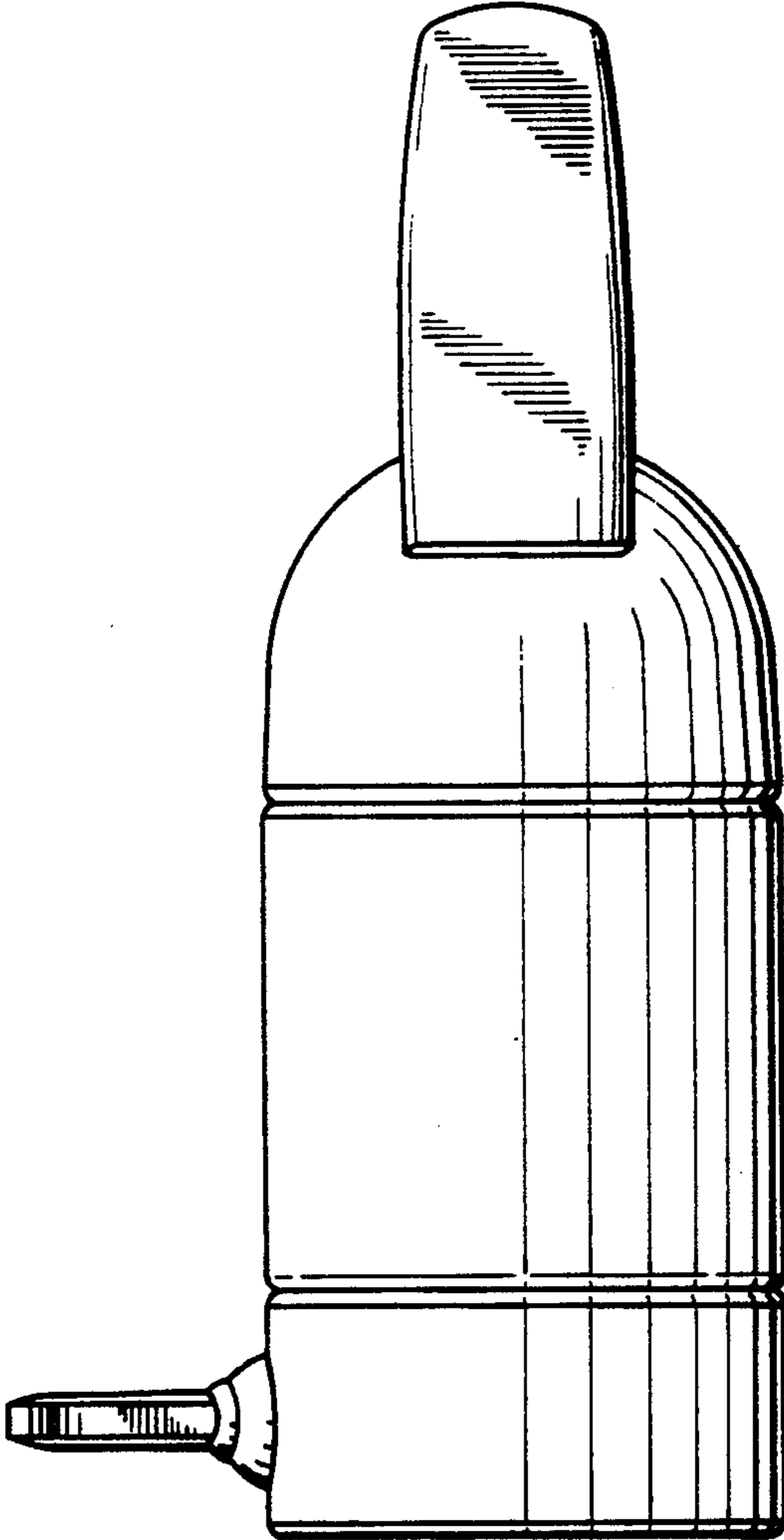


FIG. 5