



US00D324721S

United States Patent [19]

[11] Patent Number: **Des. 324,721**

Kapec et al.

[45] Date of Patent: **** Mar. 17, 1992**

[54] **WATER PURIFIER**

[56] **References Cited**

[75] Inventors: **Jeffrey Kapec**, Westport, Conn.; **Alan Chocchinov**, Brooklyn, N.Y.; **Kazuna Tanaka**, Cos Cob, Conn.

U.S. PATENT DOCUMENTS

D. 290,286	6/1987	Padilla	D23/207
3,126,333	3/1964	Williams	210/275 X
3,342,335	9/1967	Gamundi et al.	210/448 X
3,585,130	6/1971	Gregory	210/266

[73] Assignee: **Electrolux Water Systems, Inc.**, Marietta, Ga.

Primary Examiner—Susan J. Lucas
Assistant Examiner—M. H. Tung
Attorney, Agent, or Firm—McAulay Fisher Nissen
Goldberg & Kiel

[**] Term: **14 Years**

[57] CLAIM

The ornamental design for a water purifier, as shown and described.

[21] Appl. No.: **414,082**

DESCRIPTION

[22] Filed: **Sep. 28, 1989**

[52] U.S. Cl. **D23/209**

[58] Field of Search **D23/200, 207-210;**
 210/136, 198.1, 205-206, 231, 241, 244-245,
 257.1-257.2, 258, 260-261, 266, 269, 275, 282,
 288-290, 295, 321.6, 321.64, 321.78, 416.3,
 443-449

FIG. 1 is a bottom perspective view of a water purifier showing my new design;

FIG. 2 is a front elevational view thereof;

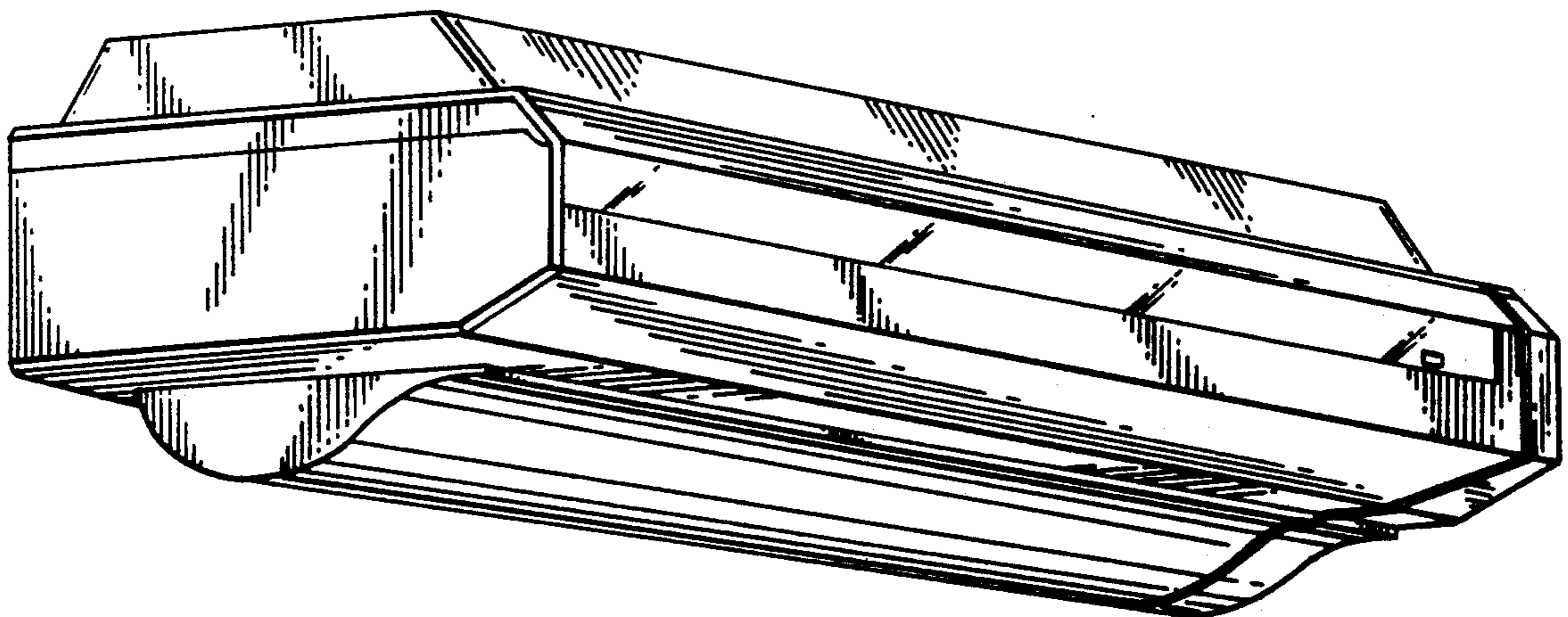
FIG. 3 is a bottom plan view thereof;

FIG. 4 is a top plan view thereof;

FIG. 5 is a rear elevational view thereof;

FIG. 6 is a left side elevational view thereof; and

FIG. 7 is a right side elevational view thereof.



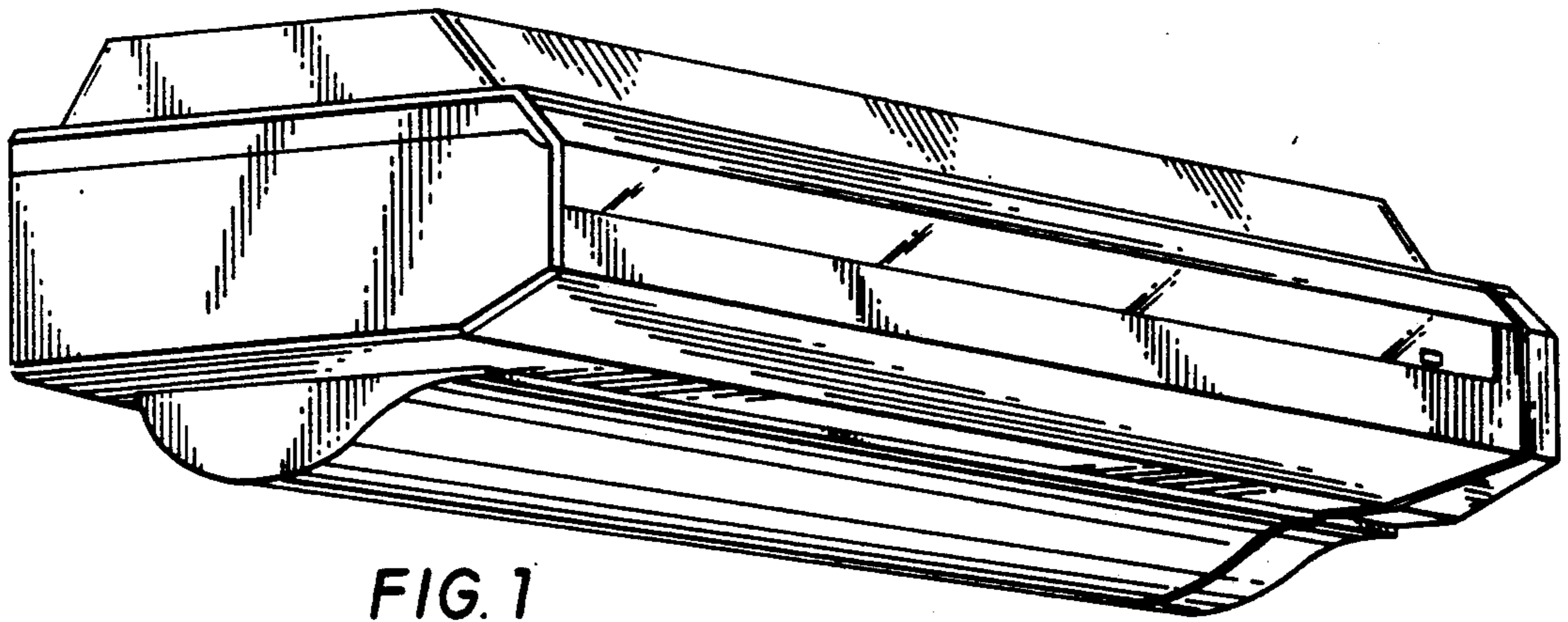


FIG. 1

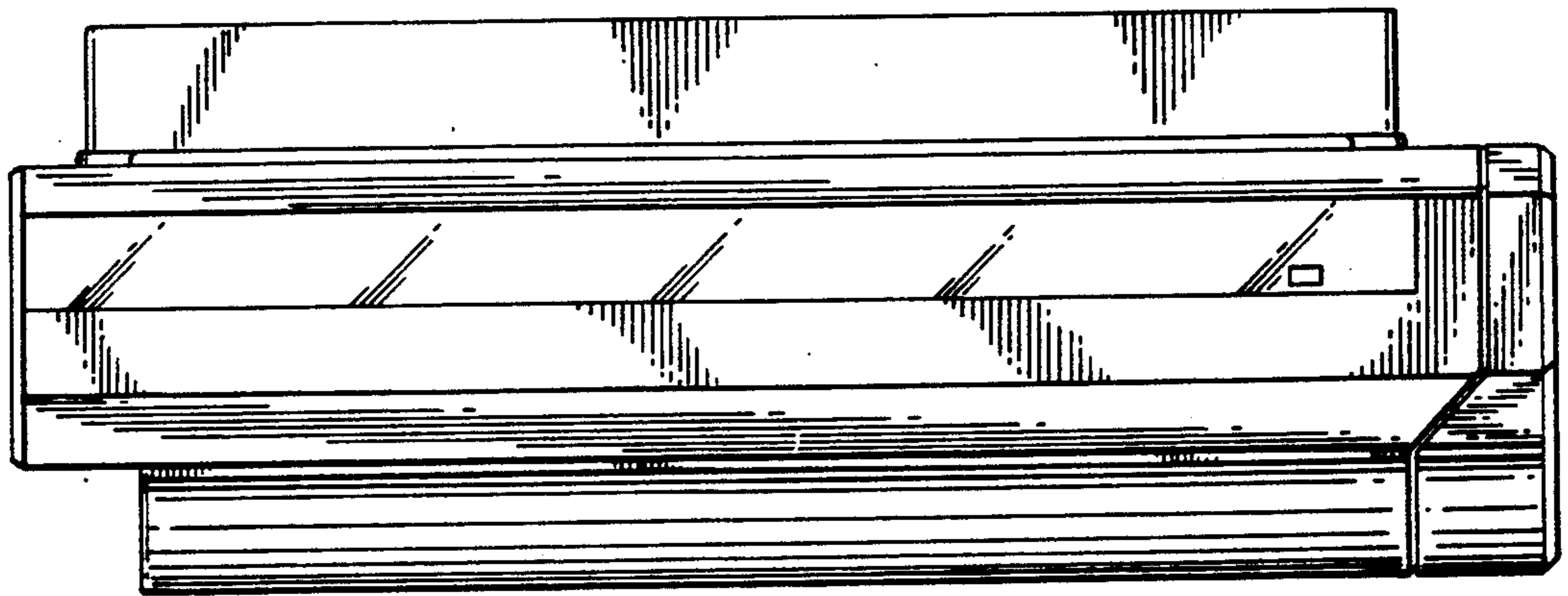


FIG. 2

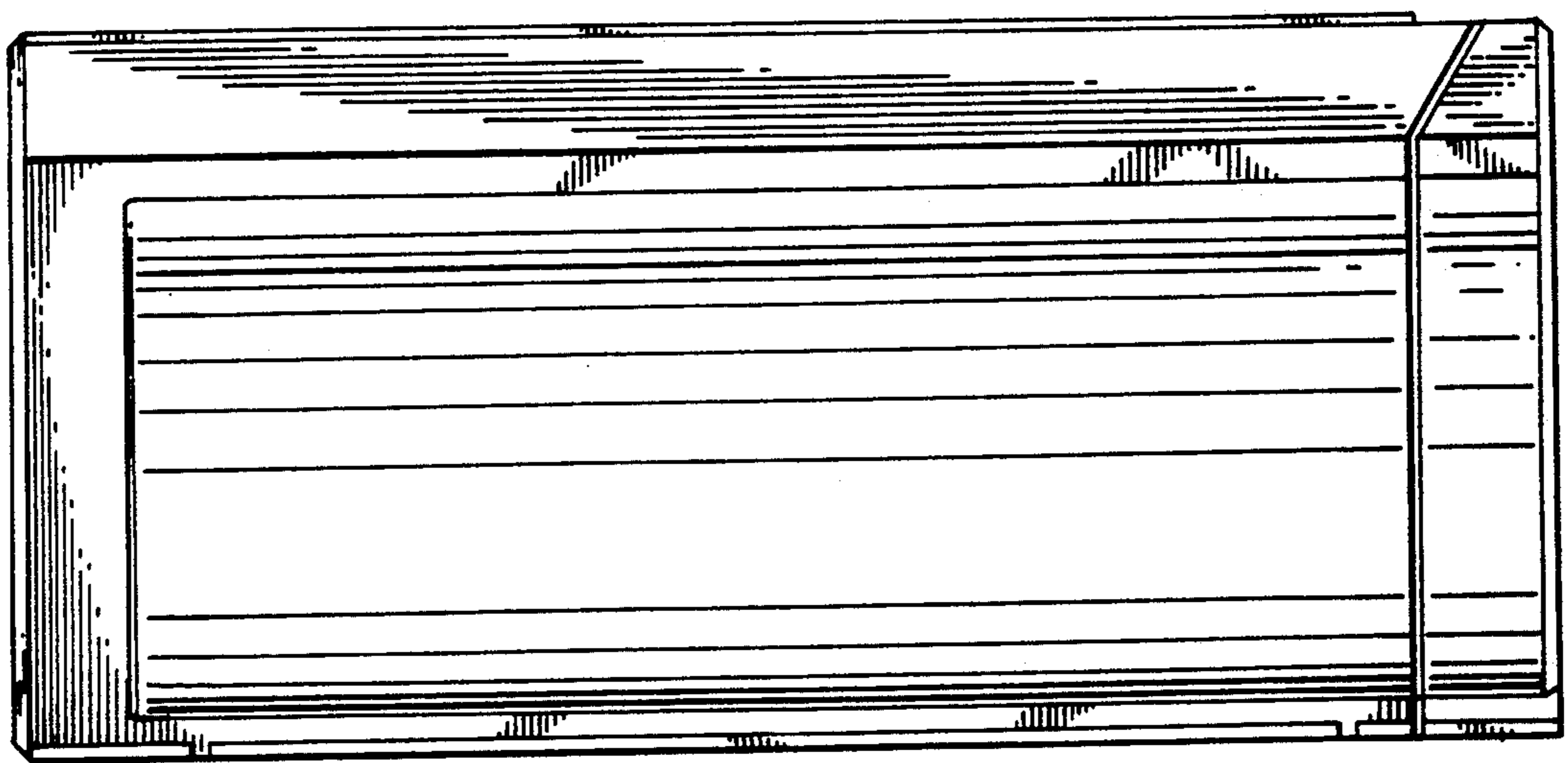


FIG. 3

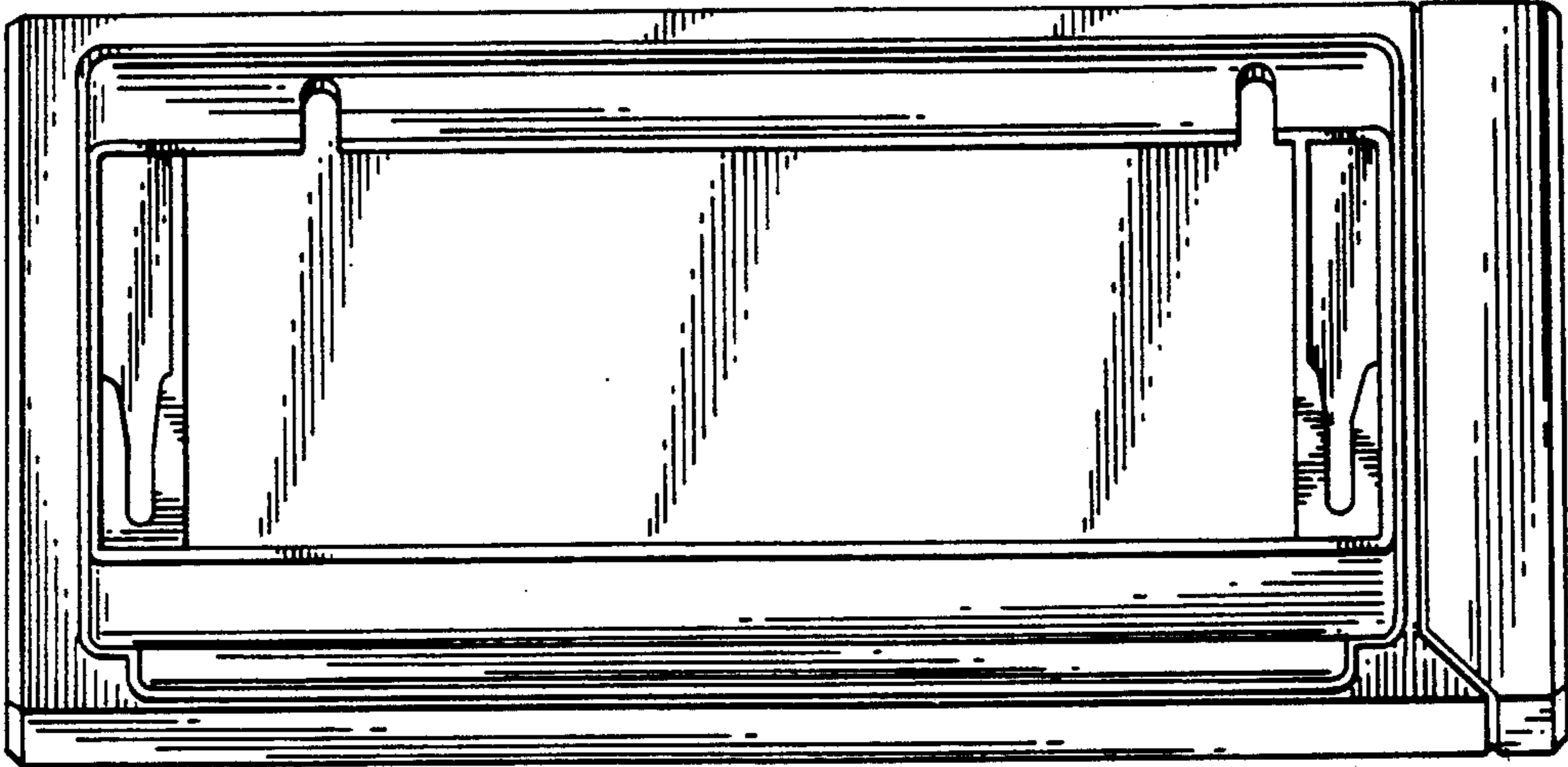


FIG. 4

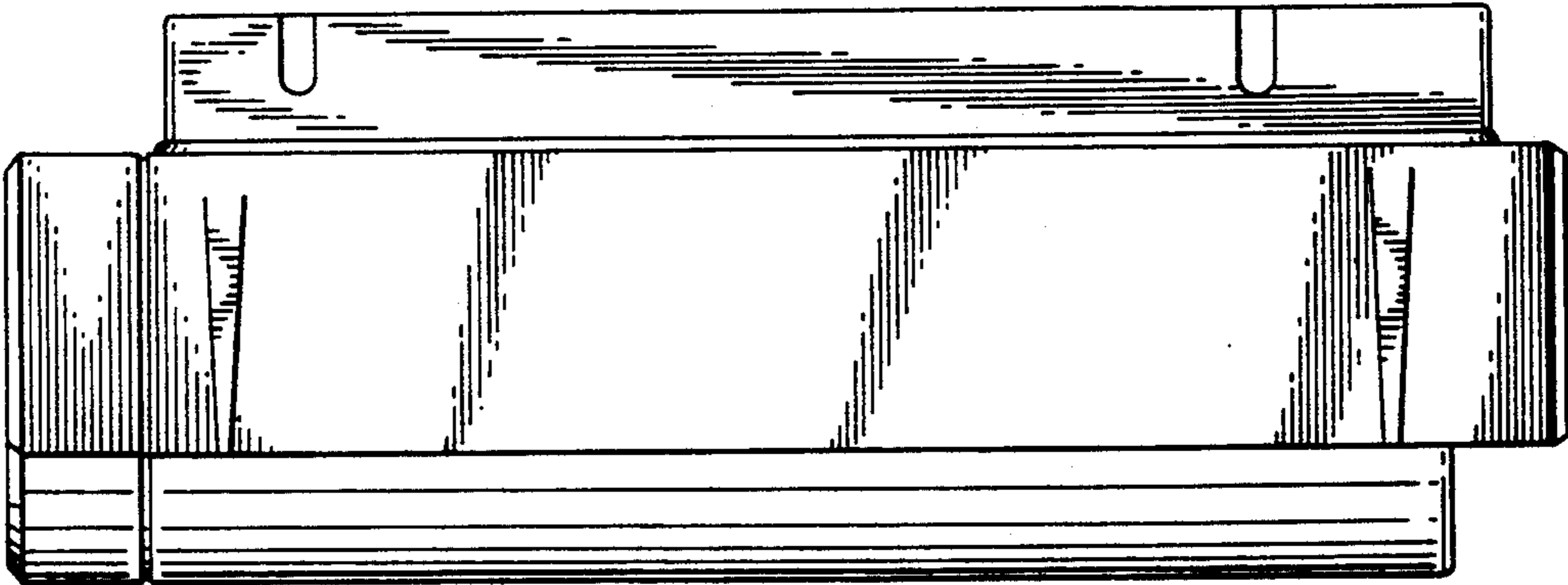


FIG. 5

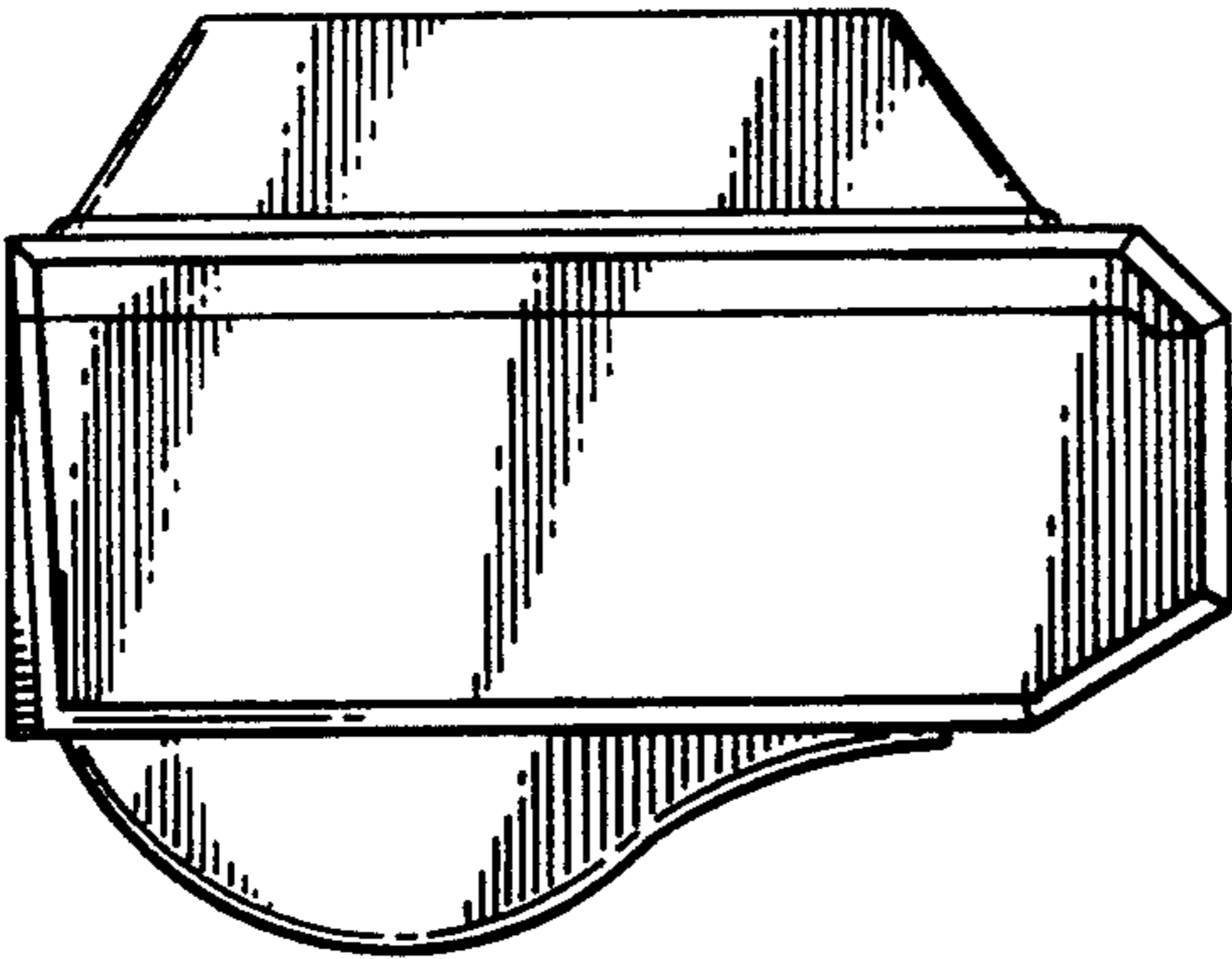


FIG. 6

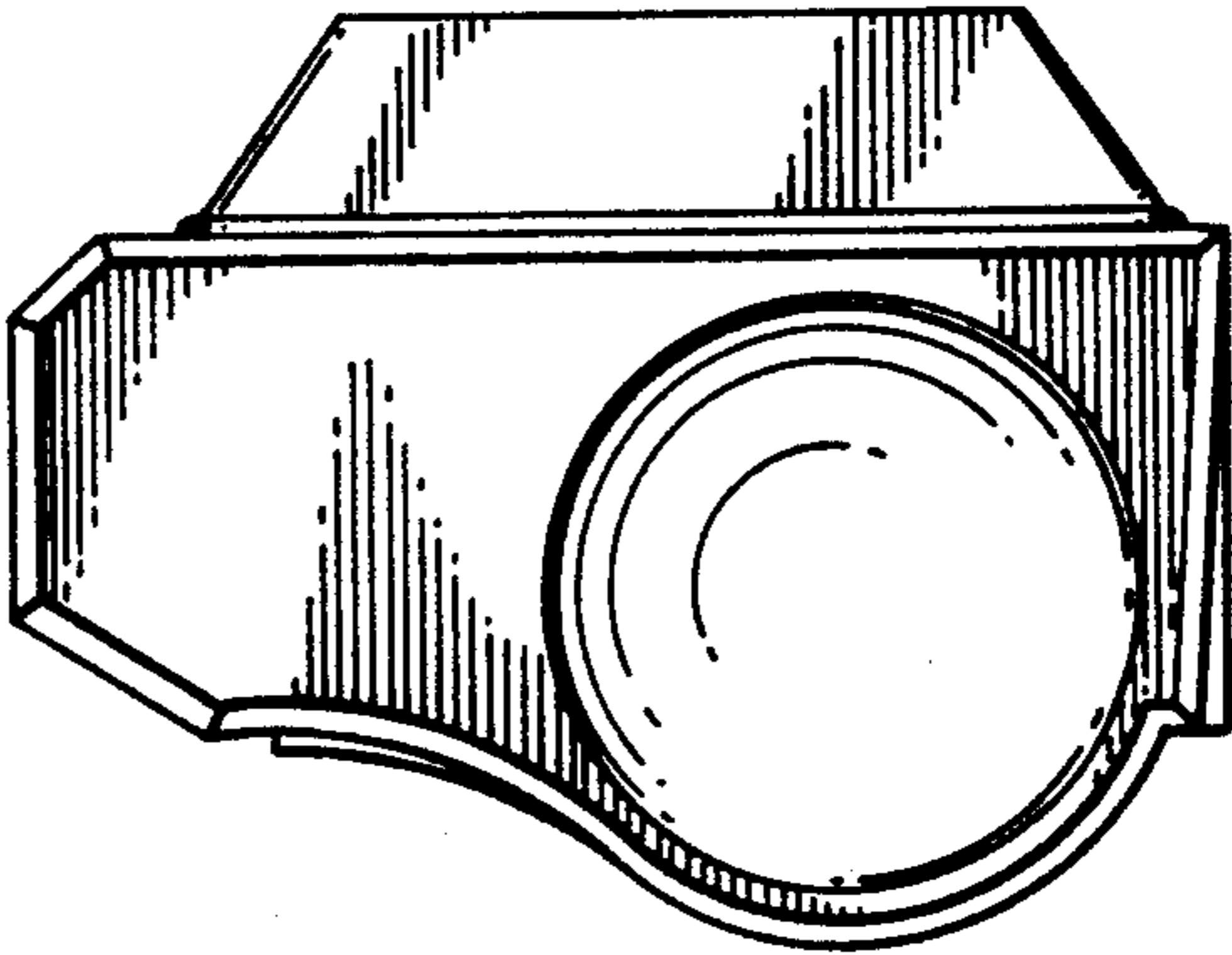


FIG. 7