



US00D324720S

United States Patent [19] Kopf

[11] Patent Number: **Des. 324,720**

[45] Date of Patent: **** Mar. 17, 1992**

[54] **FILTER PLATE**

[76] Inventor: **Henry B. Kopf**, 108 Coatbridge Cir., Cary, N.C. 27511

[**] Term: **14 Years**

[21] Appl. No.: **364,183**

[22] Filed: **Jun. 9, 1989**

[52] U.S. Cl. **D23/209**

[58] Field of Search **D23/200, 207-210, D23/316; 210/227-228, 231, 321.75, 321.84, 445, 456, 488**

4,540,492	9/1985	Kessler	216/651
4,543,187	9/1985	Steppacher	210/232
4,624,784	11/1986	Lefebvre	210/321.1
4,735,718	5/1988	Peters	210/321.1
4,750,983	6/1988	Foster et al.	204/301
4,769,140	9/1988	Van Dijk et al.	210/184
4,867,876	9/1989	Kopf	210/231 X

FOREIGN PATENT DOCUMENTS

1392030 4/1975 United Kingdom .

OTHER PUBLICATIONS

Prostak™ Bench Top Development System Lit No. SD200, 8/88.

"Toyosoda Ultrafiltration Cassette UF—LABO", undated.

"Laboratory Ultrafiltration Products for Improved Biological Recovery", Lit No. AB841, 10/88.

"Shorten the Race to the Market with Millipore Pilot and Process Systems", Lit No. SD100, 1/88.

Primary Examiner—Susan J. Lucas

Assistant Examiner—M. H. Tung

Attorney, Agent, or Firm—Steven J. Hultquist

[56] **References Cited**

U.S. PATENT DOCUMENTS

744,761	11/1903	James .	
802,105	10/1905	Johnson et al. .	
1,138,251	5/1915	Schaefer .	
1,282,414	12/1918	Hagstrom .	
1,540,251	9/1925	Buckley et al. .	
2,390,628	12/1945	Van Winkle	210/188
2,473,986	9/1949	Booth	210/185
2,590,242	3/1952	Fusco	210/188
2,663,431	12/1953	Clarke	210/231
3,221,883	2/1965	Lennström	210/228
3,278,033	10/1966	Wintersturi	210/231
3,497,065	2/1970	Johnson, Jr.	210/231
3,520,803	7/1970	Iaconelli	210/23
3,543,938	12/1970	Busse et al.	210/231 X
3,585,131	6/1971	Esmond	210/321
3,966,612	6/1976	Johansson	210/238
3,988,242	10/1976	Kurita et al.	210/227
4,229,304	10/1980	Fismer	210/231
4,235,721	11/1980	Hakamura et al.	210/227
4,310,416	1/1982	Tanaka et al.	210/321.3
4,411,784	10/1983	Esmond	210/321.1
4,430,218	2/1984	Perl et al.	210/321.3

[57] **CLAIM**

The ornamental design for a filter plate, as shown and described.

DESCRIPTION

FIG. 1 is a top plan view of a filter plate showing my new design;

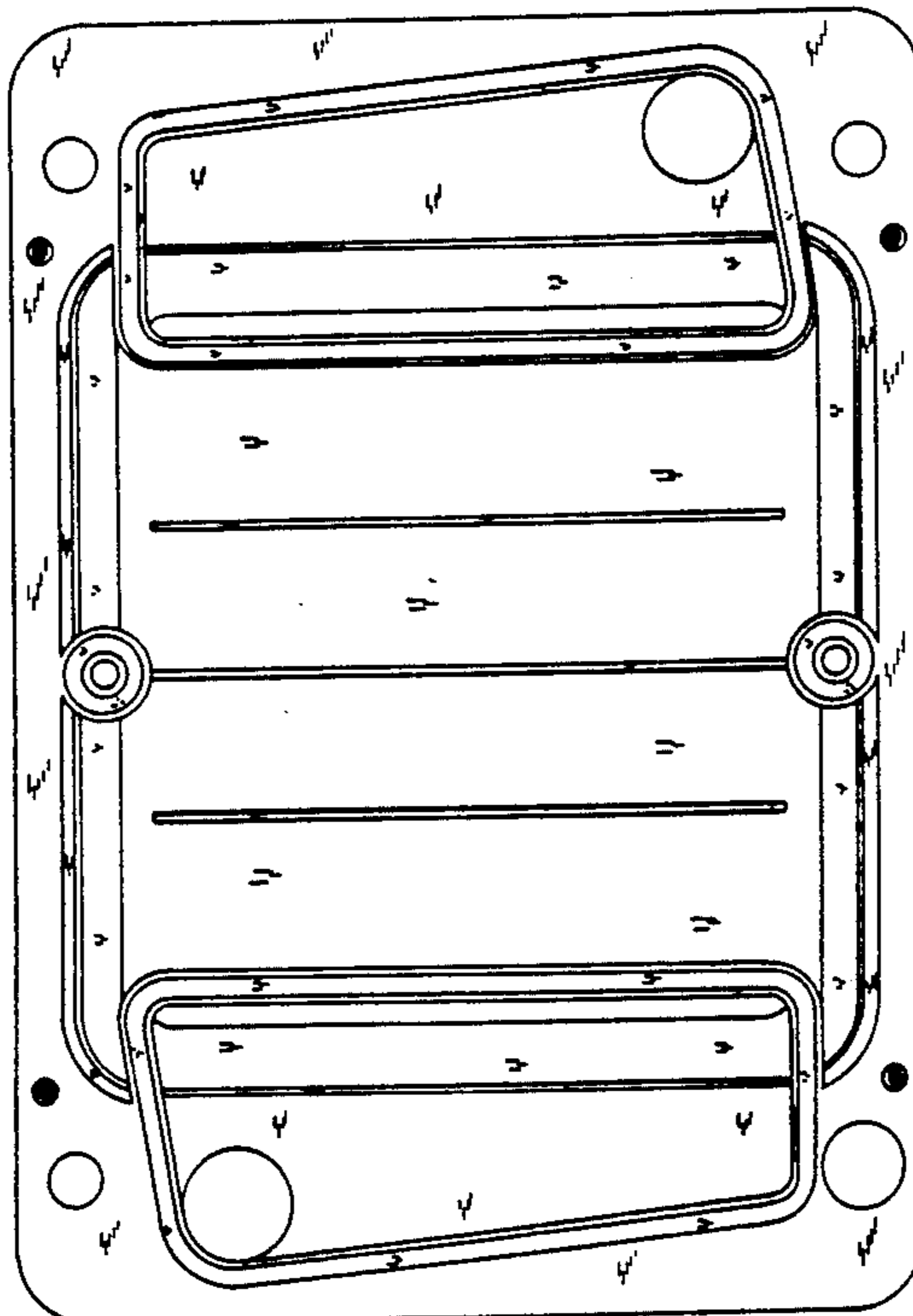
FIG. 2 is a bottom plan view thereof;

FIG. 3 is a left side elevational view thereof;

FIG. 4 is a right side elevational view thereof;

FIG. 5 is a rear elevational view thereof; and

FIG. 6 is a front elevational view thereof.



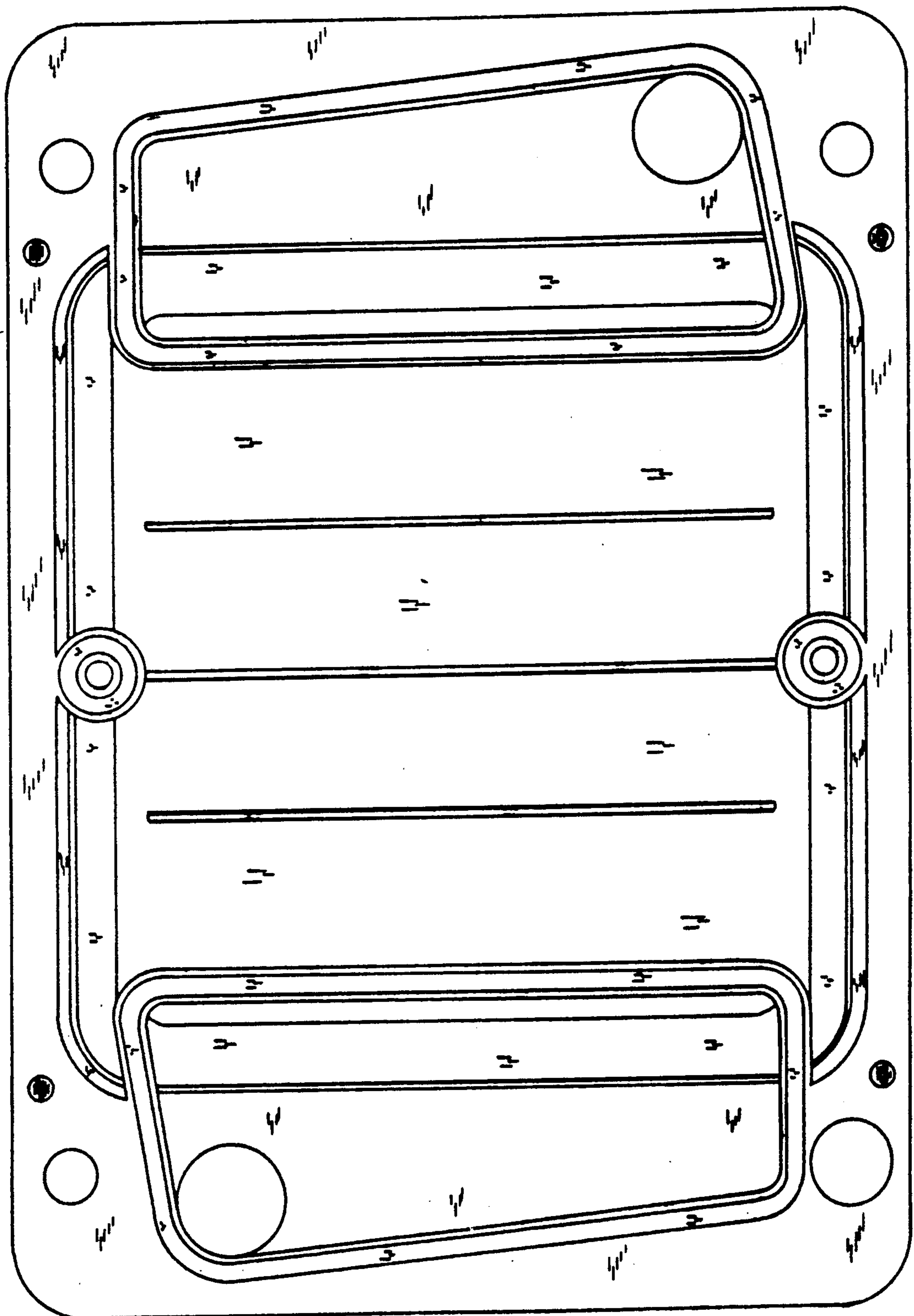


FIG. 1

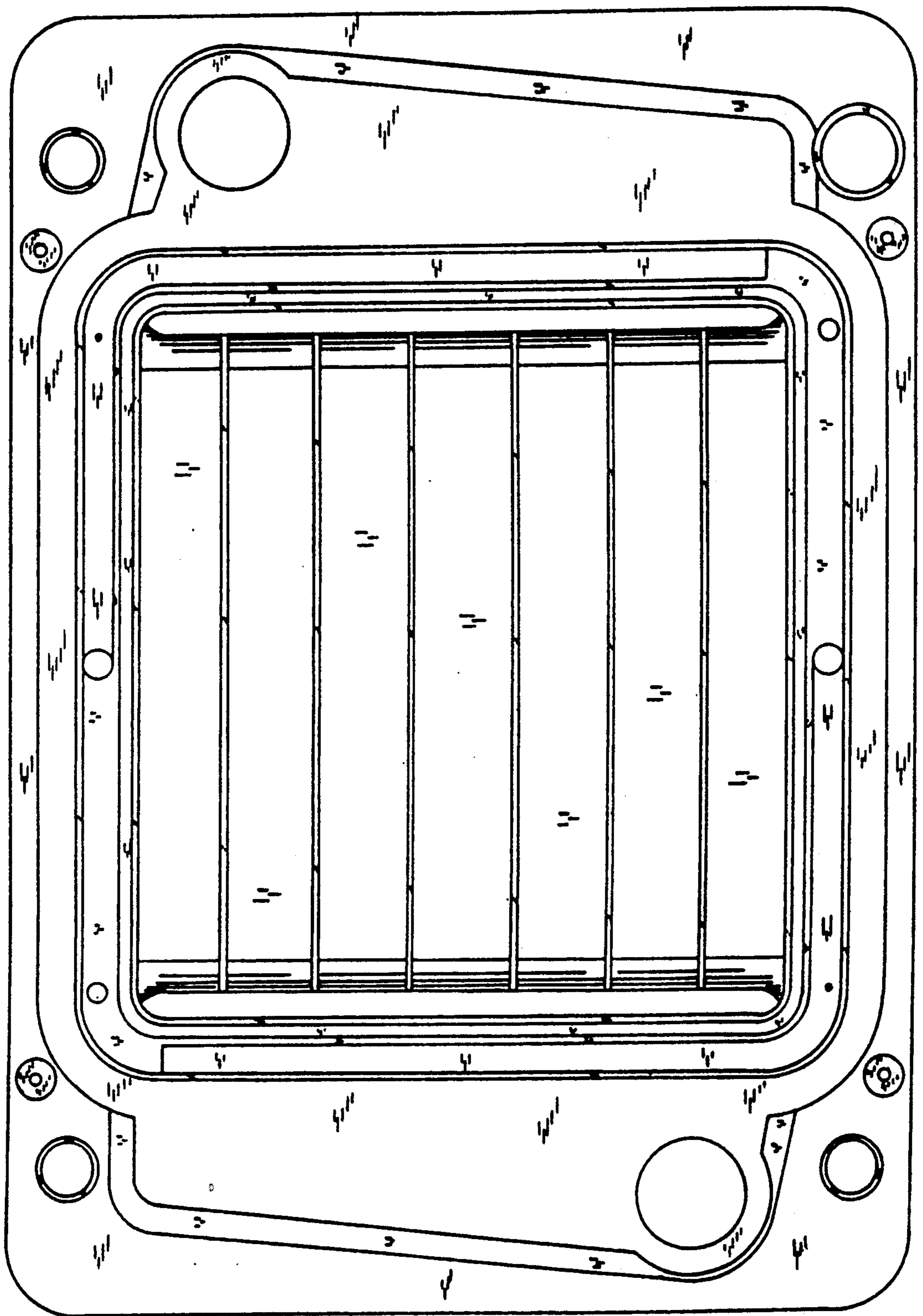


FIG. 2



FIG. 3



FIG. 4



FIG. 5



FIG. 6