



US00D324719S

United States Patent [19]

[11] Patent Number: **Des. 324,719**

Shiozaki et al.

[45] Date of Patent: **** Mar. 17, 1992**

[54] **FISHING REEL BODY**

728879 4/1988 Japan .
729481 4/1988 Japan .

[75] Inventors: **Akihisa Shiozaki; Toshiaki Yoshikawa**, both of Musashino, Japan

OTHER PUBLICATIONS

Catalogue—Think Fishing '89—published by Shimano Industrial Co., Ltd., Feb. 1989, p. 9.

[73] Assignee: **Daiwa Seiko, Inc.**, Tokyo, Japan

Primary Examiner—A. Hugo Word
Assistant Examiner—Doris V. Coles
Attorney, Agent, or Firm—Cushman, Darby & Cushman

[**] Term: **14 Years**

[21] Appl. No.: **403,322**

[57] CLAIM

[22] Filed: **Sep. 6, 1989**

The ornamental design for a fishing reel body, as shown and described.

[52] U.S. Cl. **D22/141**

[58] Field of Search **D22/141; 242/230, 231, 242/232, 233**

DESCRIPTION

[56] References Cited

U.S. PATENT DOCUMENTS

- D. 300,054 2/1989 Hiraishi et al. D22/141
- D. 303,281 9/1989 Hiraishi et al. D22/141
- D. 309,650 7/1990 Kaneda et al. D22/141
- 4,811,916 3/1989 Yeh D22/141 X

FIG. 1 is a top, front and one side perspective view of a fishing reel body showing our new design;
 FIG. 2 is a top, rear and the opposite side perspective view thereof;
 FIG. 3 is a front elevational view thereof;
 FIG. 4 is a rear elevational view thereof;
 FIG. 5 is a top plan view thereof;
 FIG. 6 is a bottom plan view thereof;
 FIG. 7 is a right side elevational view thereof; and
 FIG. 8 is a left side elevational view thereof.

FOREIGN PATENT DOCUMENTS

694952 12/1986 Japan .

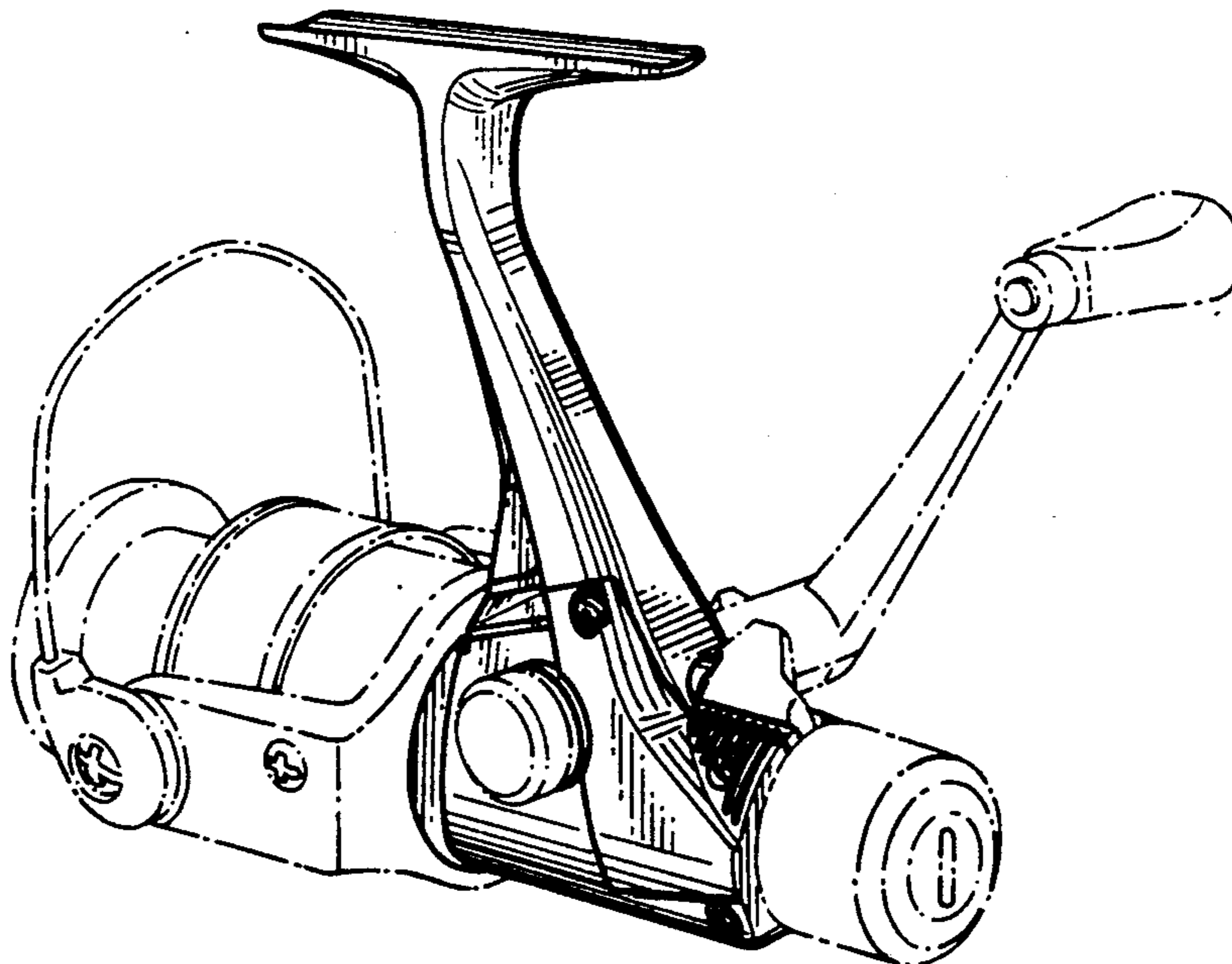


Fig. 1

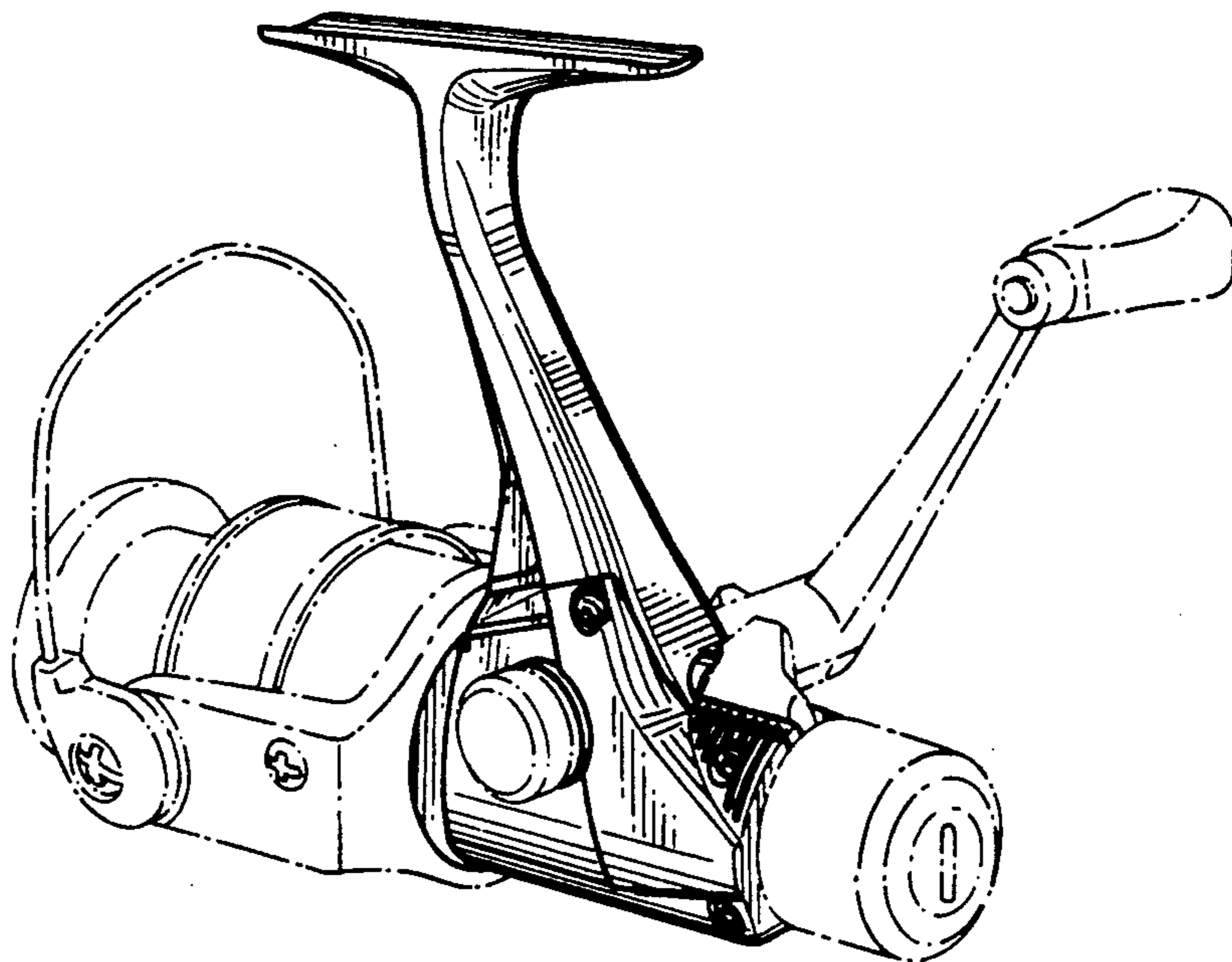


Fig. 2

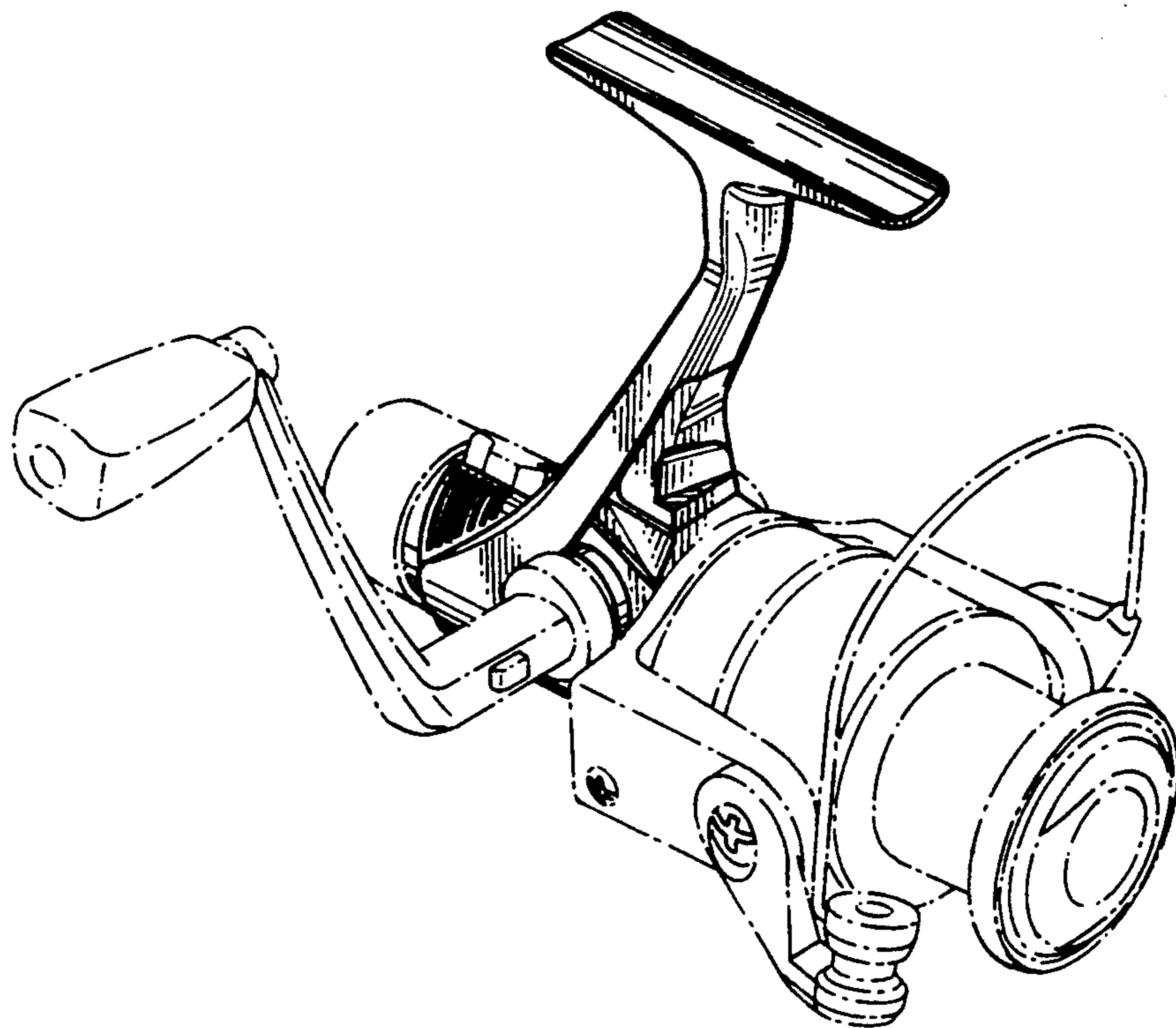


Fig. 3

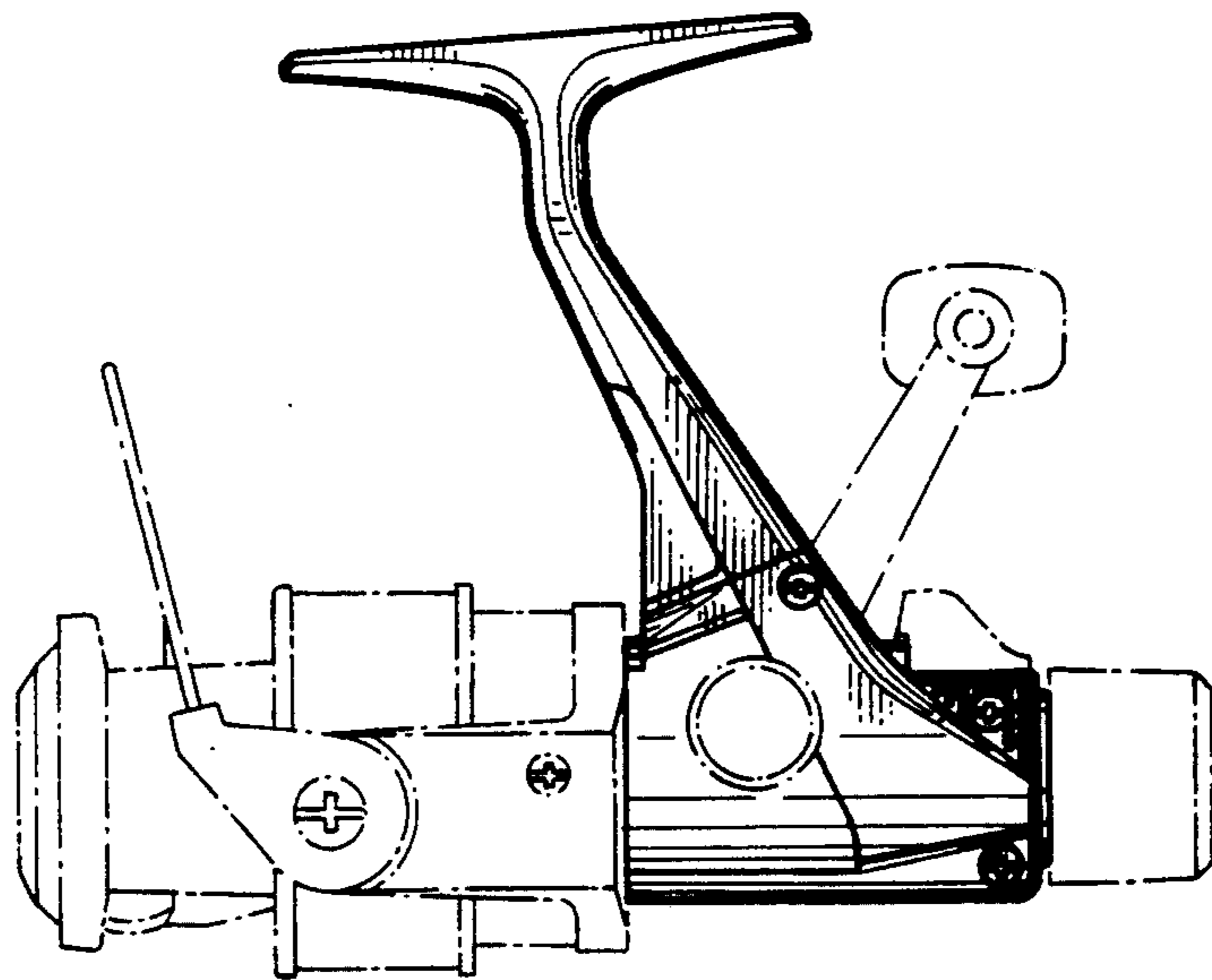


Fig. 4

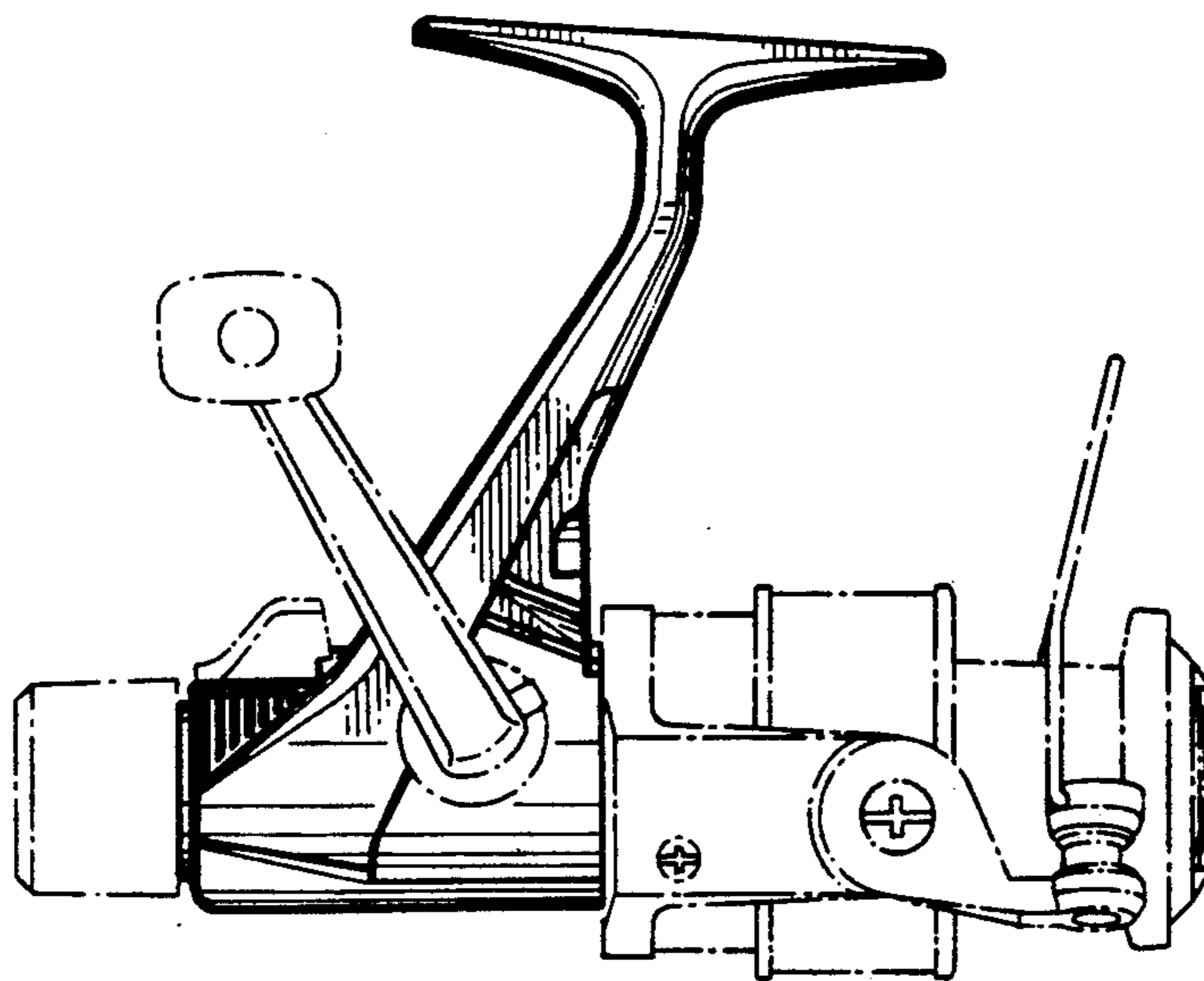


Fig. 5

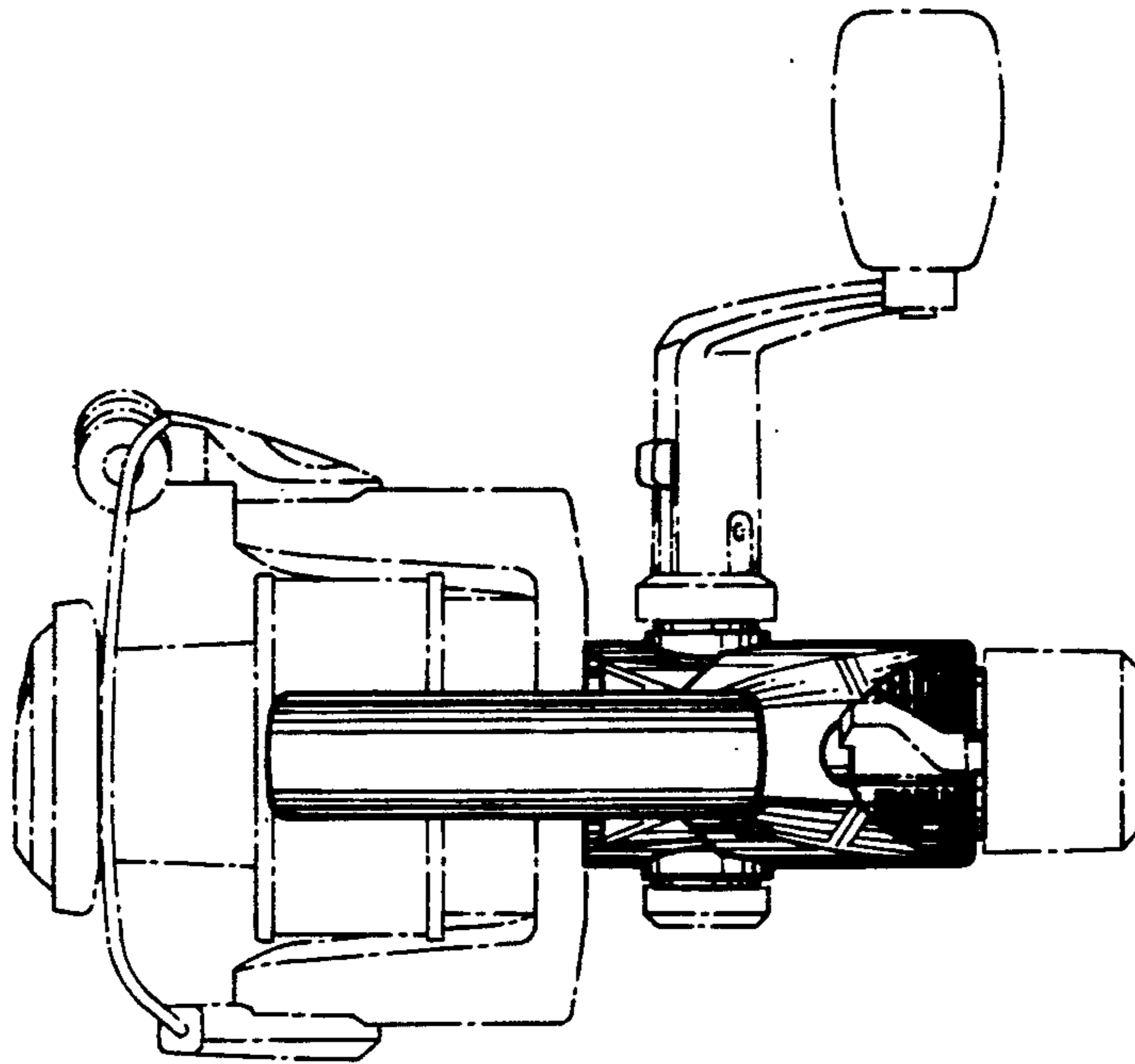


Fig. 6

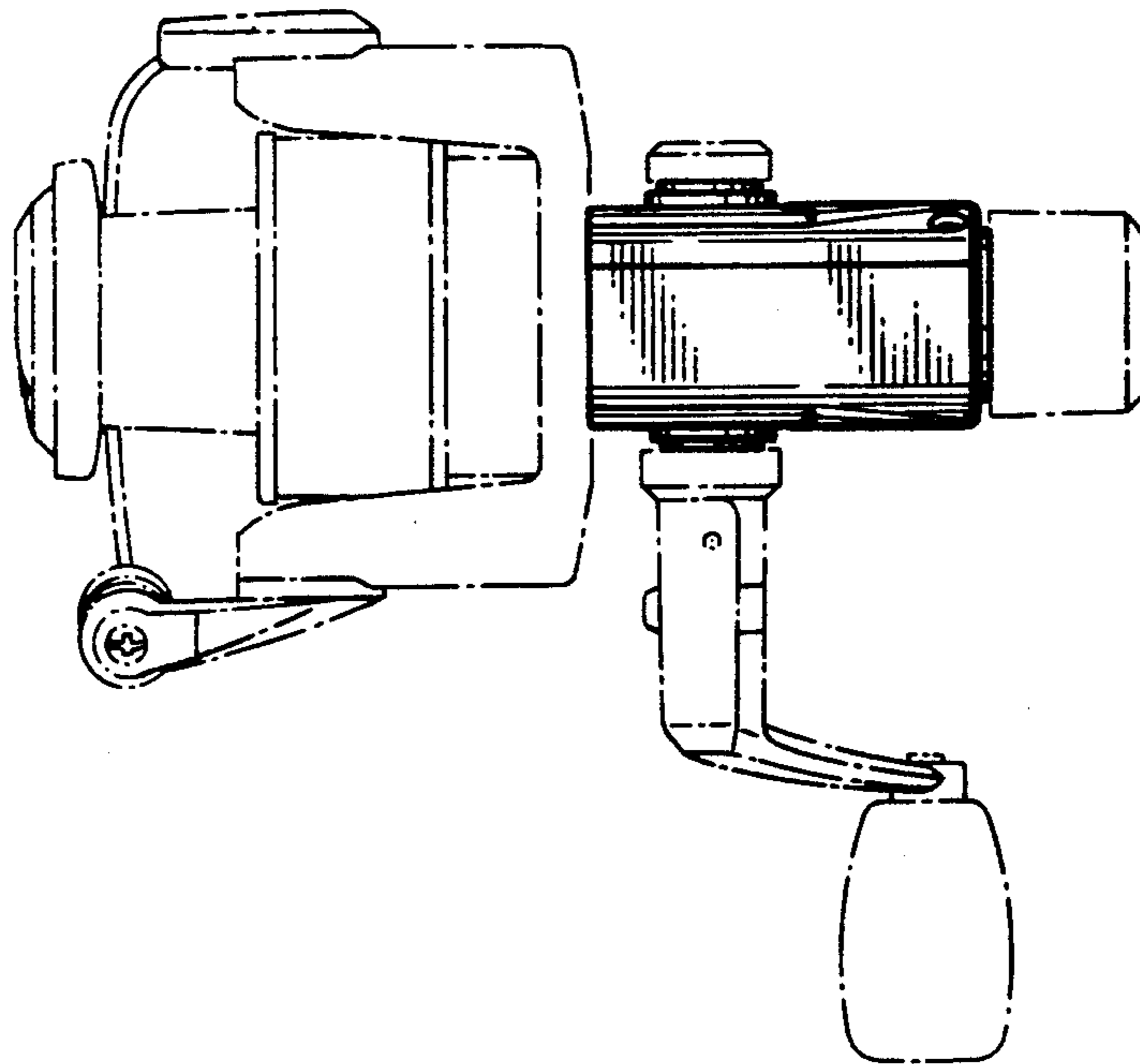


Fig. 7

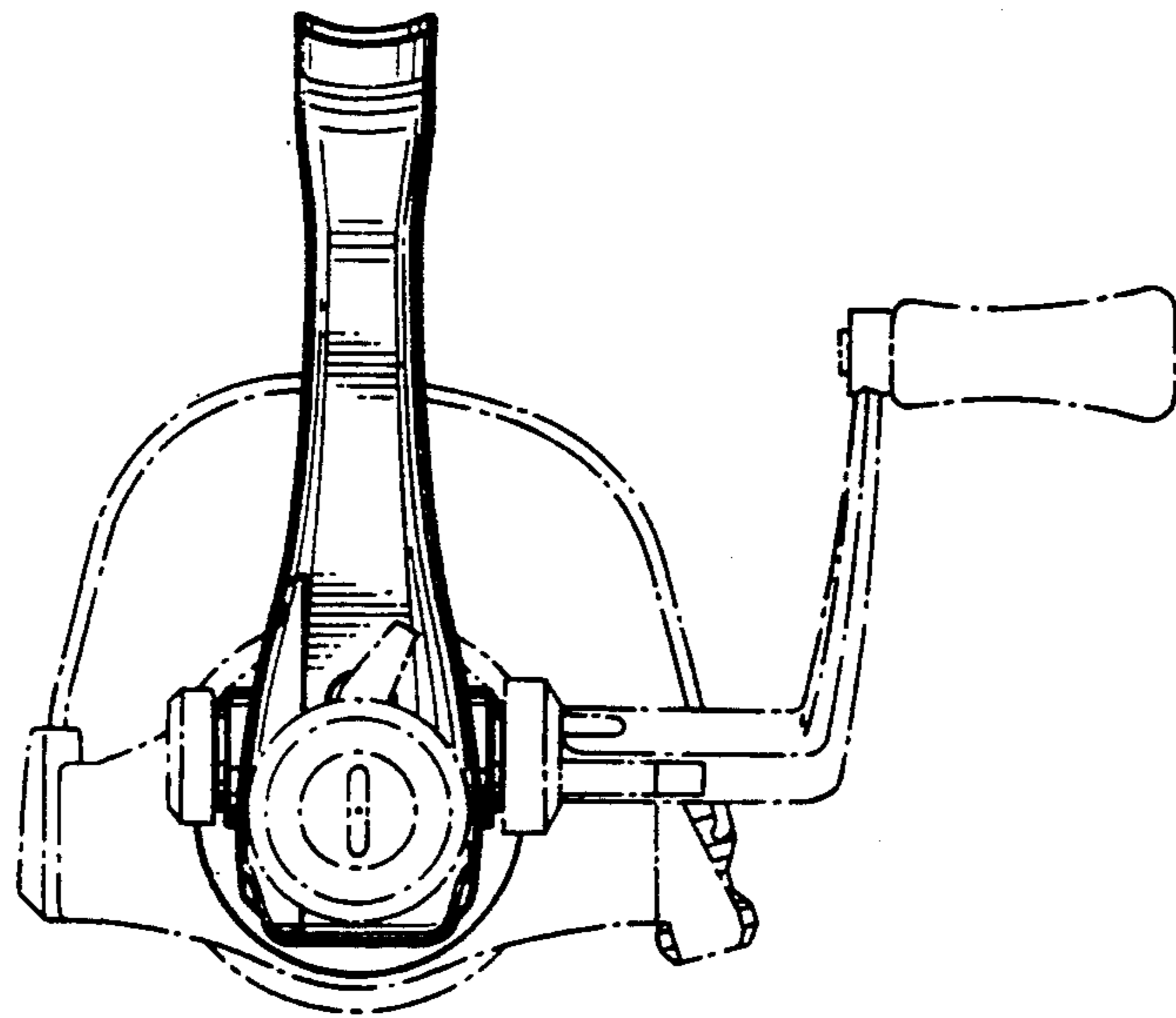
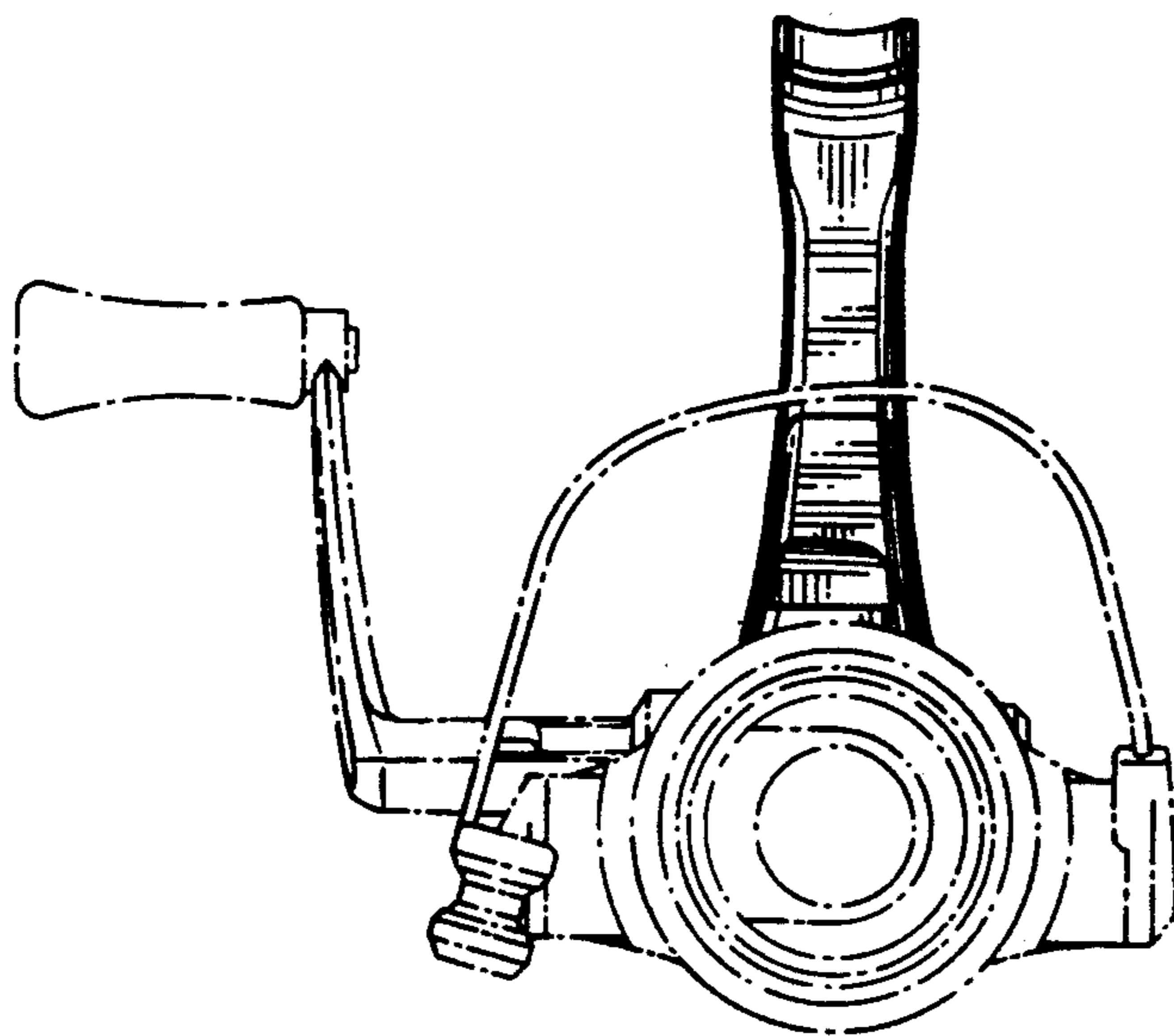


Fig. 8



UNITED STATES PATENT AND TRADEMARK OFFICE
CERTIFICATE OF CORRECTION

PATENT NO. : DES. 324,719
DATED : March 17, 1992
INVENTOR(S) : Akihisa Shiozaki et al

It is certified that error appears in the above-identified patent and that said Letters Patent is hereby corrected as shown below:

On the Title page, item [56],

Please Add:

Priority Document; Japanese 1-8574 filed March 9, 1989

Signed and Sealed this
Fifteenth Day of June, 1993

Attest:



MICHAEL K. KIRK

Attesting Officer

Acting Commissioner of Patents and Trademarks