



US00D324718S

United States Patent [19]

[11] Patent Number: **Des. 324,718**

Asano

[45] Date of Patent: ** Mar. 17, 1992

[54] **FISHING REEL**

[75] Inventor: **Shinichi Asano**, Musashino, Japan

[73] Assignee: **Daiwa Seiko, Inc.**, Tokyo, Japan

[**] Term: **14 Years**

[21] Appl. No.: **368,546**

[22] Filed: **Jun. 20, 1989**

[30] **Foreign Application Priority Data**

Dec. 26, 1988 [JP] Japan 63-50687

[52] U.S. Cl. **D22/141**

[58] Field of Search D22/141; 242/230, 231,
242/232, 233

[56] **References Cited**

U.S. PATENT DOCUMENTS

D. 270,933	10/1983	Iinuma et al.	D22/141
D. 283,721	5/1986	Iinuma et al.	D22/141
D. 291,109	7/1987	Myojo	D22/141
D. 300,055	2/1989	Doi et al.	D22/141
D. 307,459	4/1990	Kameda	D22/141
D. 308,717	6/1990	Hiraishi et al.	D22/141
4,463,915	8/1984	Kaneko	242/232

FOREIGN PATENT DOCUMENTS

652503 6/1985 Japan .

668839 12/1985 Japan .

712317 9/1987 Japan .

Primary Examiner—A. Hugo Word

Assistant Examiner—Doris V. Coles

Attorney, Agent, or Firm—Cushman, Darby & Cushman

[57] **CLAIM**

The ornamental design for a fishing reel, as shown and described.

DESCRIPTION

FIG. 1 is a top, front and one side perspective view of a fishing reel showing my new design;

FIG. 2 is a top, rear and the opposite side perspective view thereof;

FIG. 3 is a front elevational view thereof;

FIG. 4 is a rear elevational view thereof;

FIG. 5 is a top plan view thereof;

FIG. 6 is a bottom plan view thereof;

FIG. 7 is a left side elevational view thereof; and

FIG. 8 is a right side elevational view thereof.

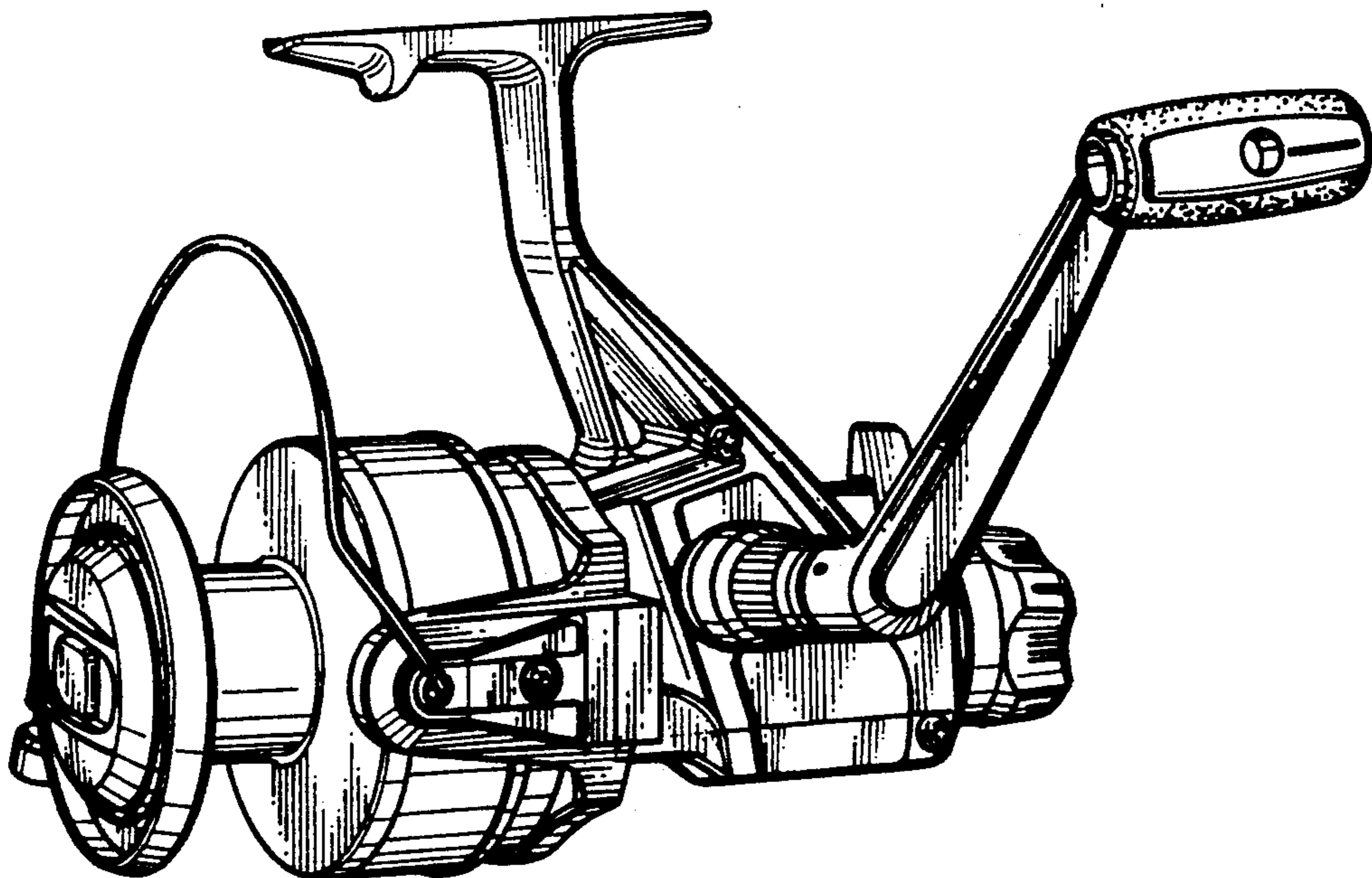


Fig. 1

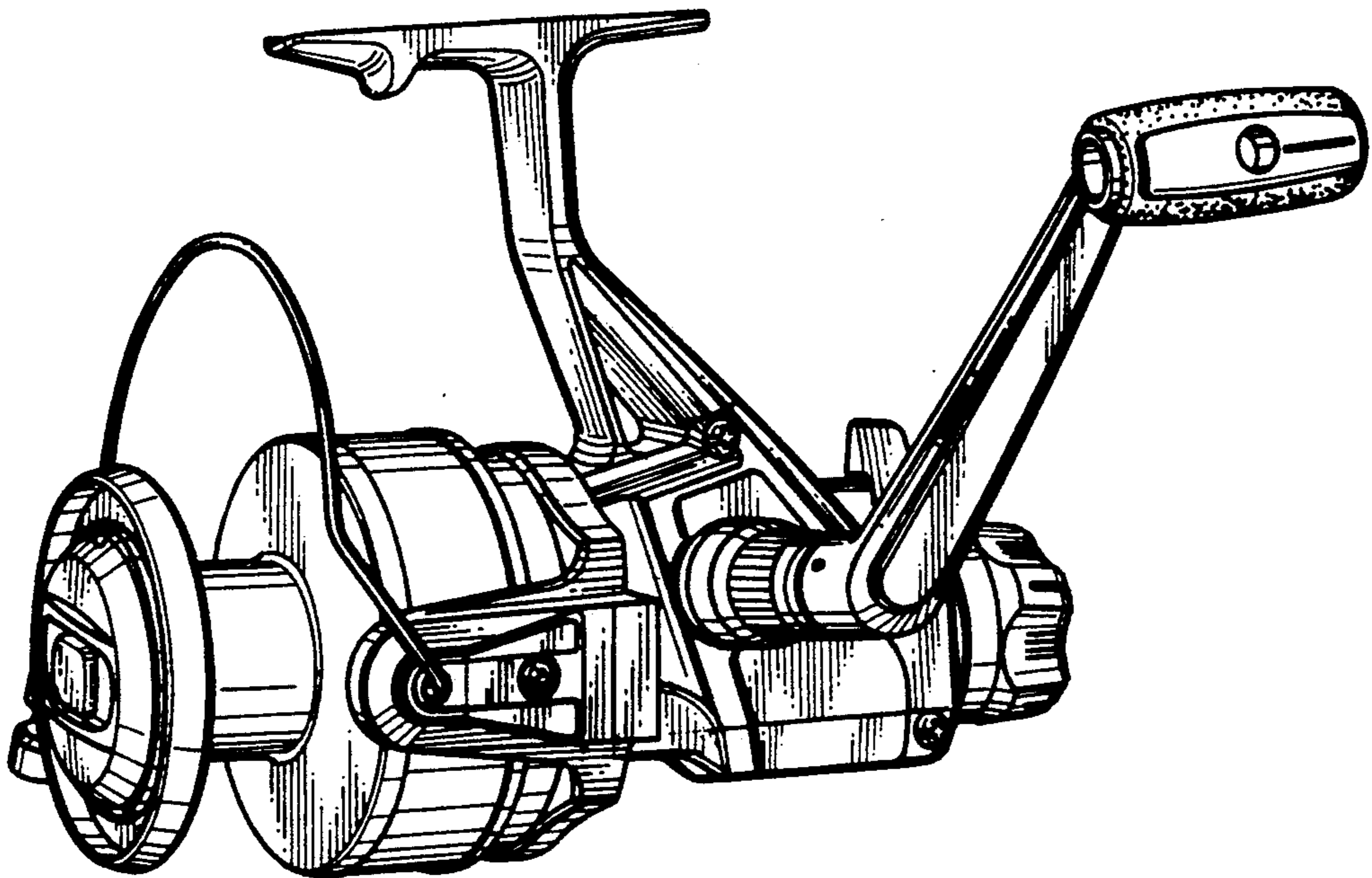


Fig. 2

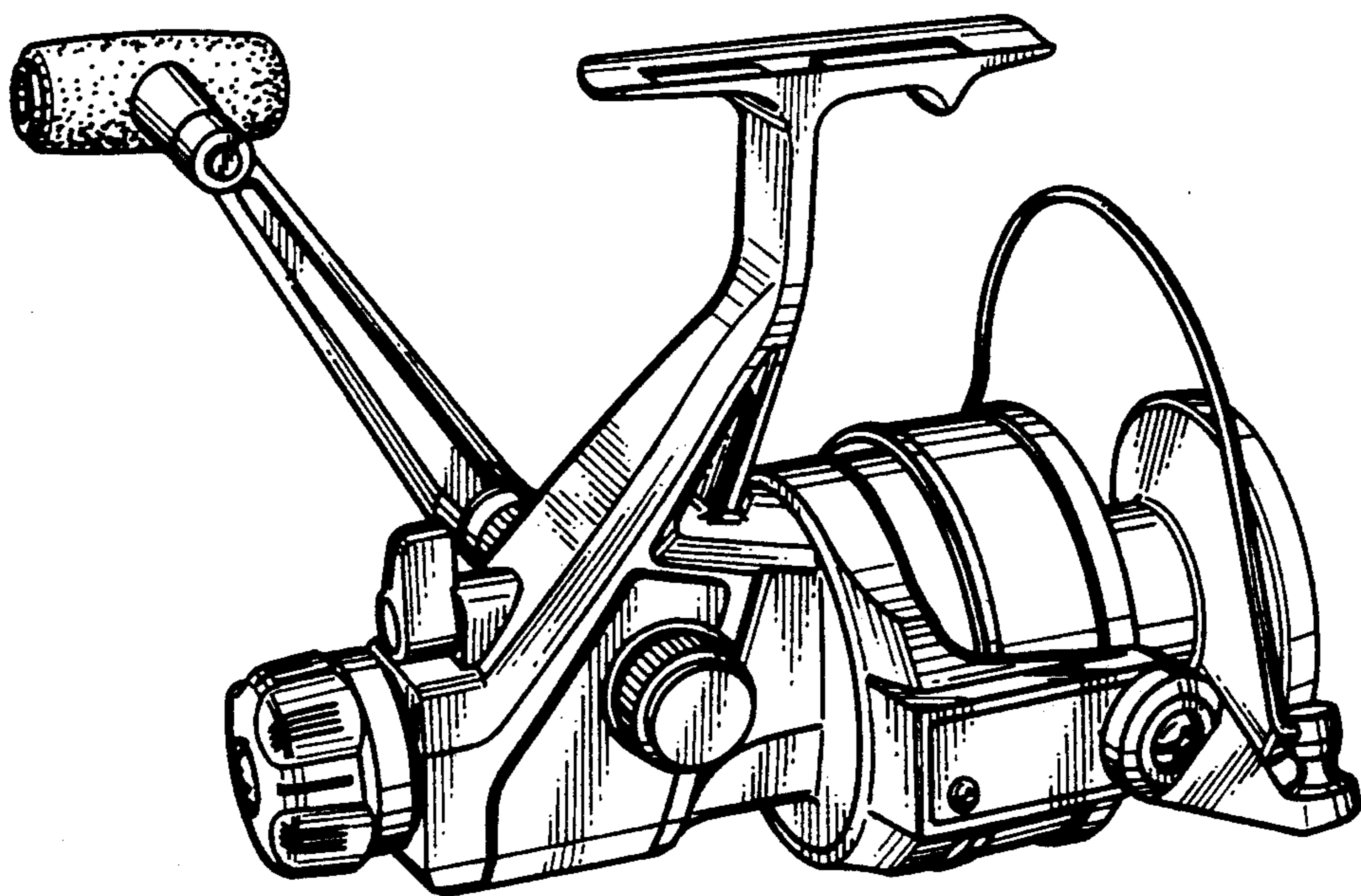


Fig. 3

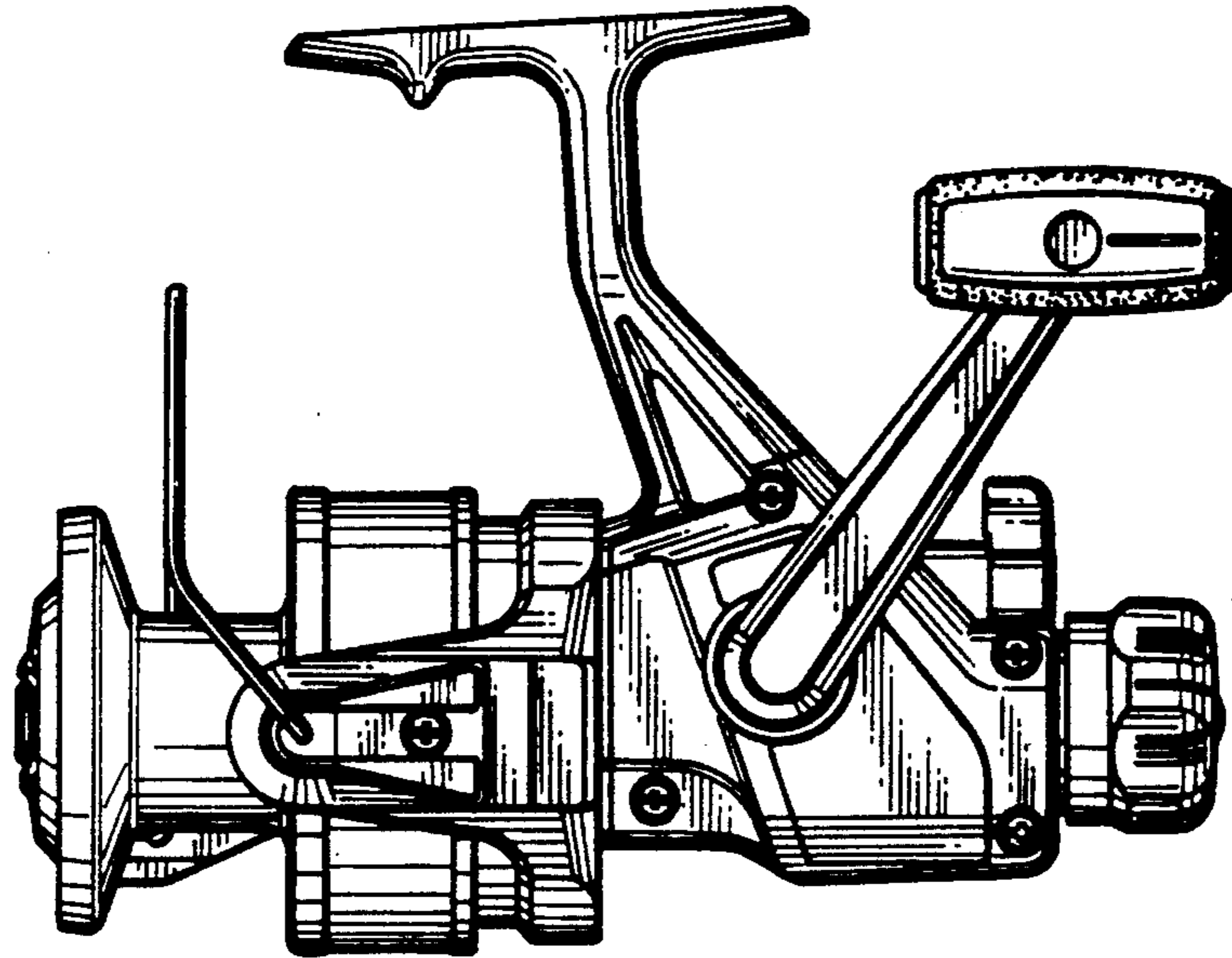


Fig. 4

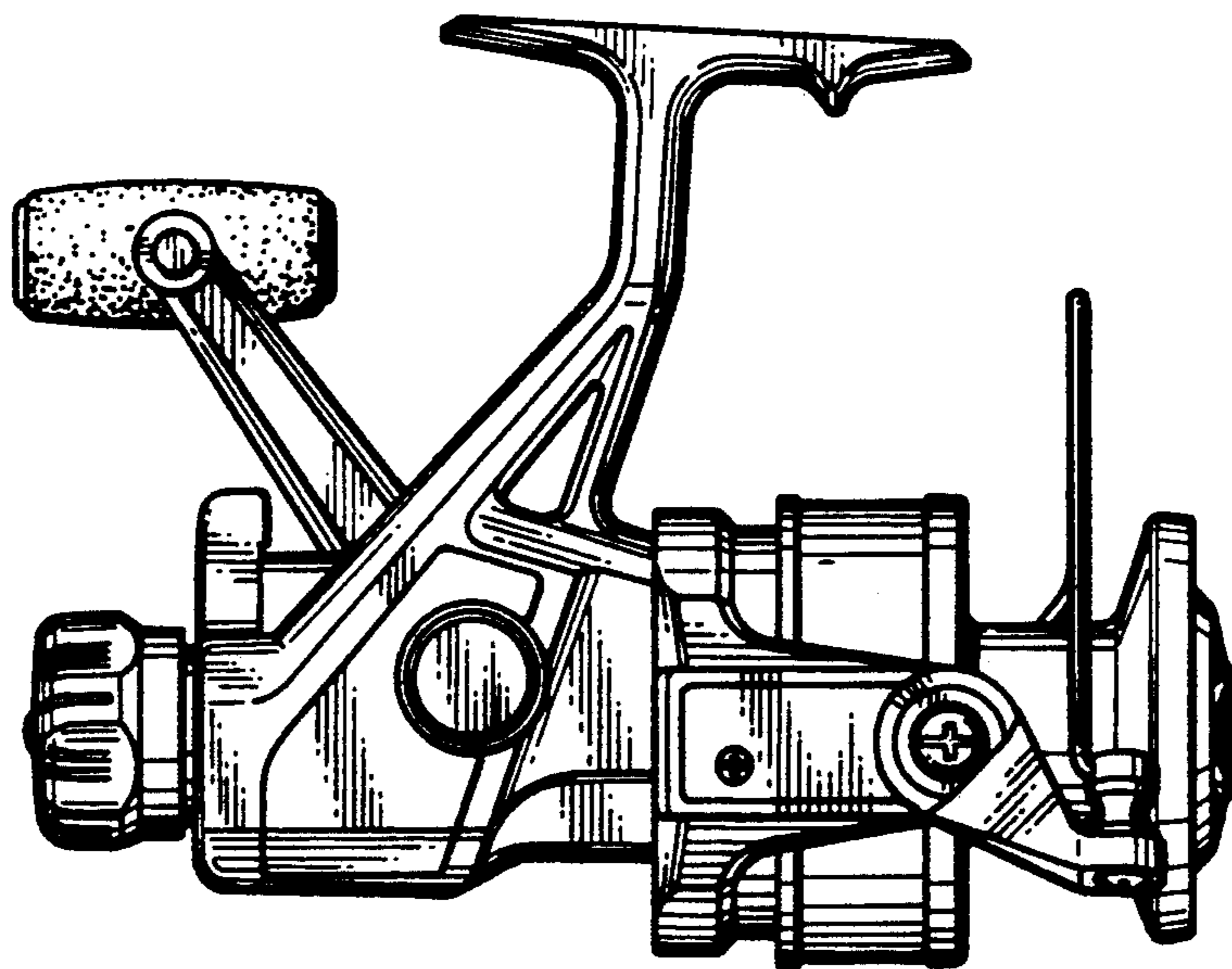


Fig. 5

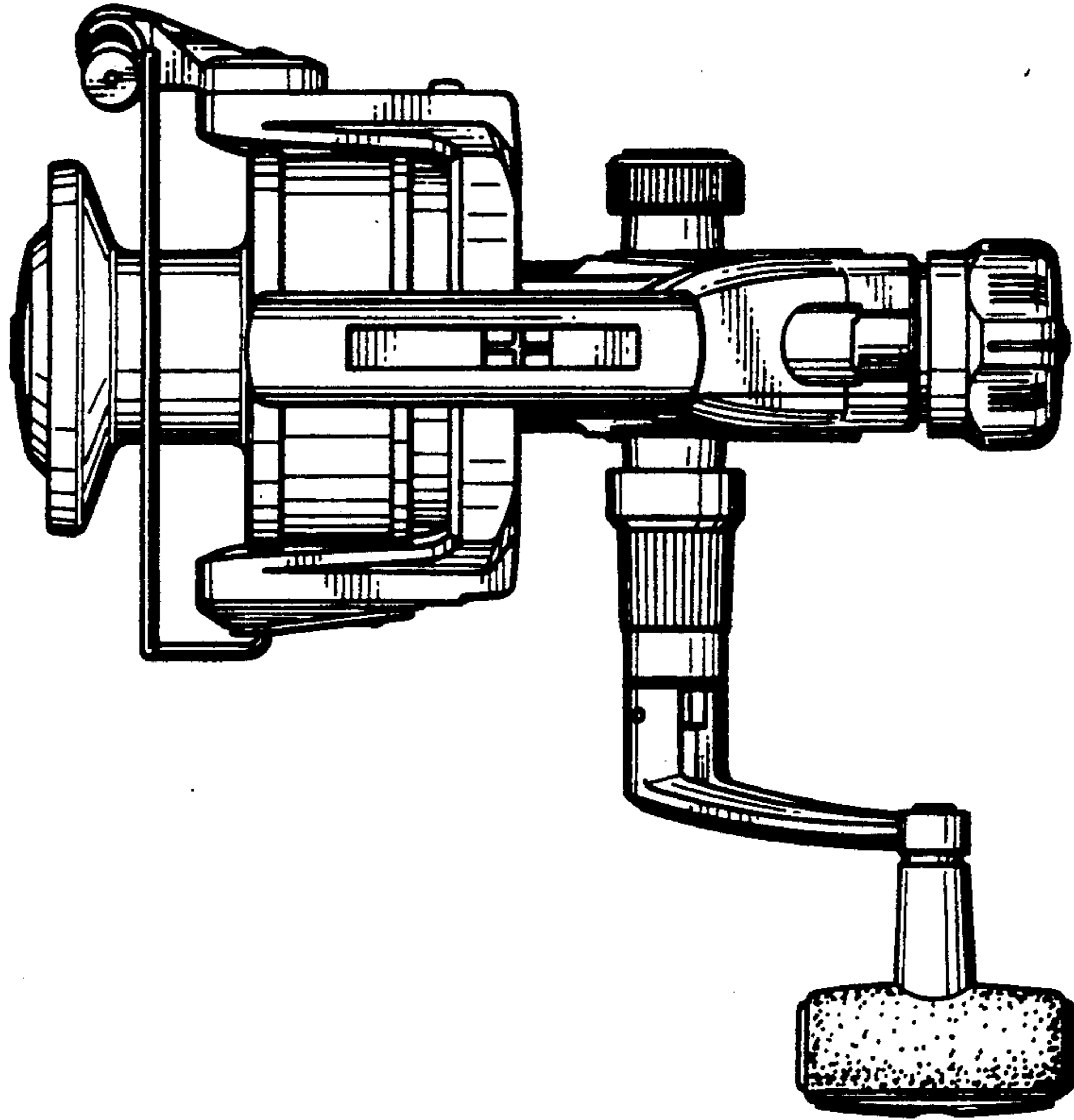


Fig. 6

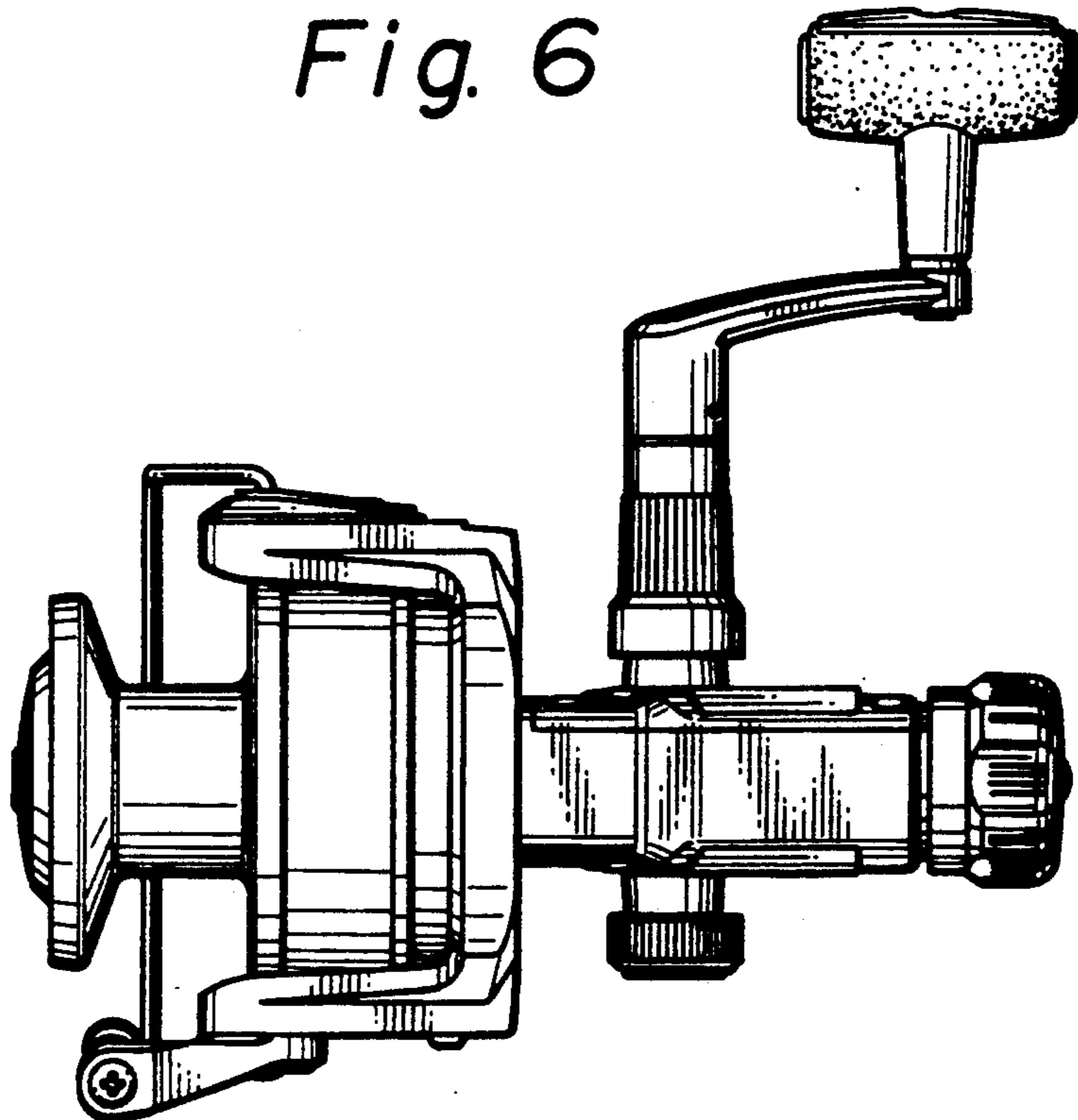


Fig. 7

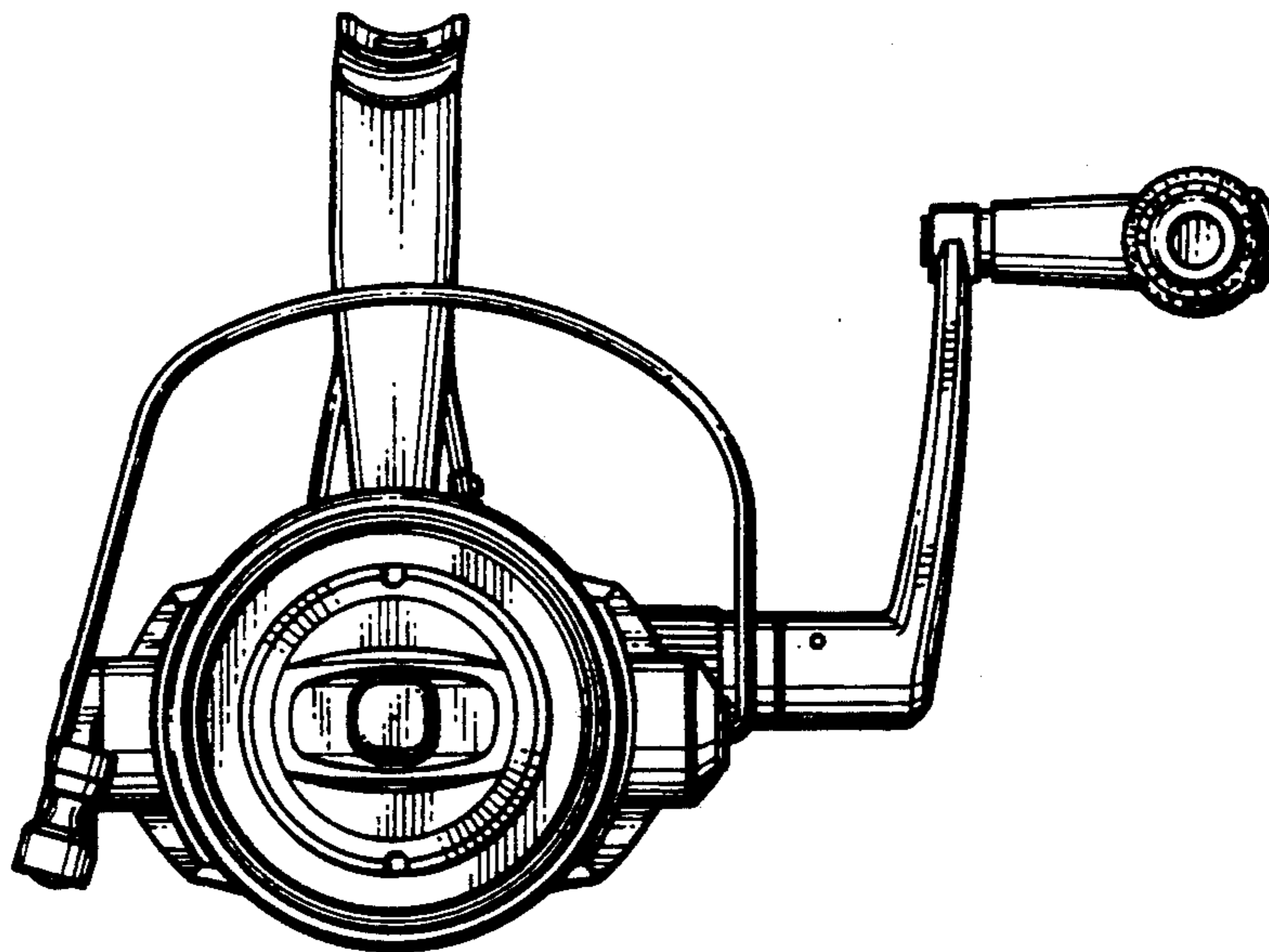


Fig. 8

