



US00D324717S

# United States Patent [19]

[11] Patent Number: **Des. 324,717**

Shiozaki

[45] Date of Patent: **\*\* Mar. 17, 1992**

[54] **FISHING REEL**

[75] Inventor: **Akihisa Shiozaki, Musashino, Japan**

[73] Assignee: **Daiwa Seiko, Inc., Tokyo, Japan**

[\*\*] Term: **14 Years**

[21] Appl. No.: **368,548**

[22] Filed: **Jun. 20, 1989**

[30] **Foreign Application Priority Data**

Dec. 26, 1988 [JP] Japan ..... 63-50686  
 [52] U.S. Cl. .... **D22/141**  
 [58] Field of Search ..... D22/141; 242/231, 230,  
 242/232, 233

[56] **References Cited**

**U.S. PATENT DOCUMENTS**

D. 281,346 11/1985 Iinuma et al. .... D22/141  
 D. 291,100 7/1987 Myojo ..... D22/141  
 D. 294,728 3/1988 Kameda ..... D22/141  
 D. 300,765 4/1989 Iinuma et al. .... D22/141  
 D. 300,766 4/1989 Iinuma ..... D22/141

**FOREIGN PATENT DOCUMENTS**

652503 6/1985 Japan .  
 668839 12/1985 Japan .  
 712317 9/1987 Japan .

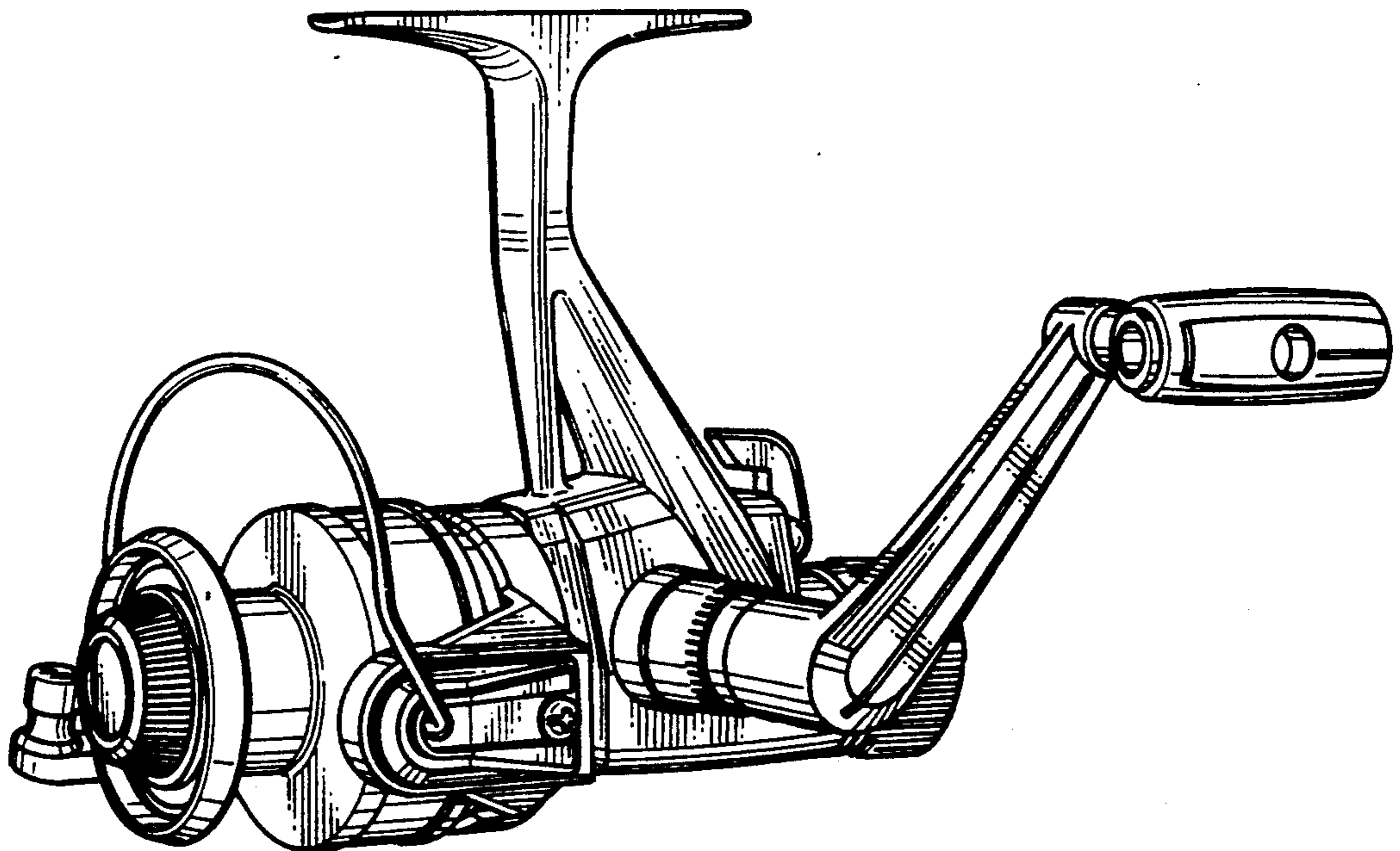
*Primary Examiner*—A. Hugo Word  
*Assistant Examiner*—Doris V. Coles  
*Attorney, Agent, or Firm*—Cushman, Darby & Cushman

[57] **CLAIM**

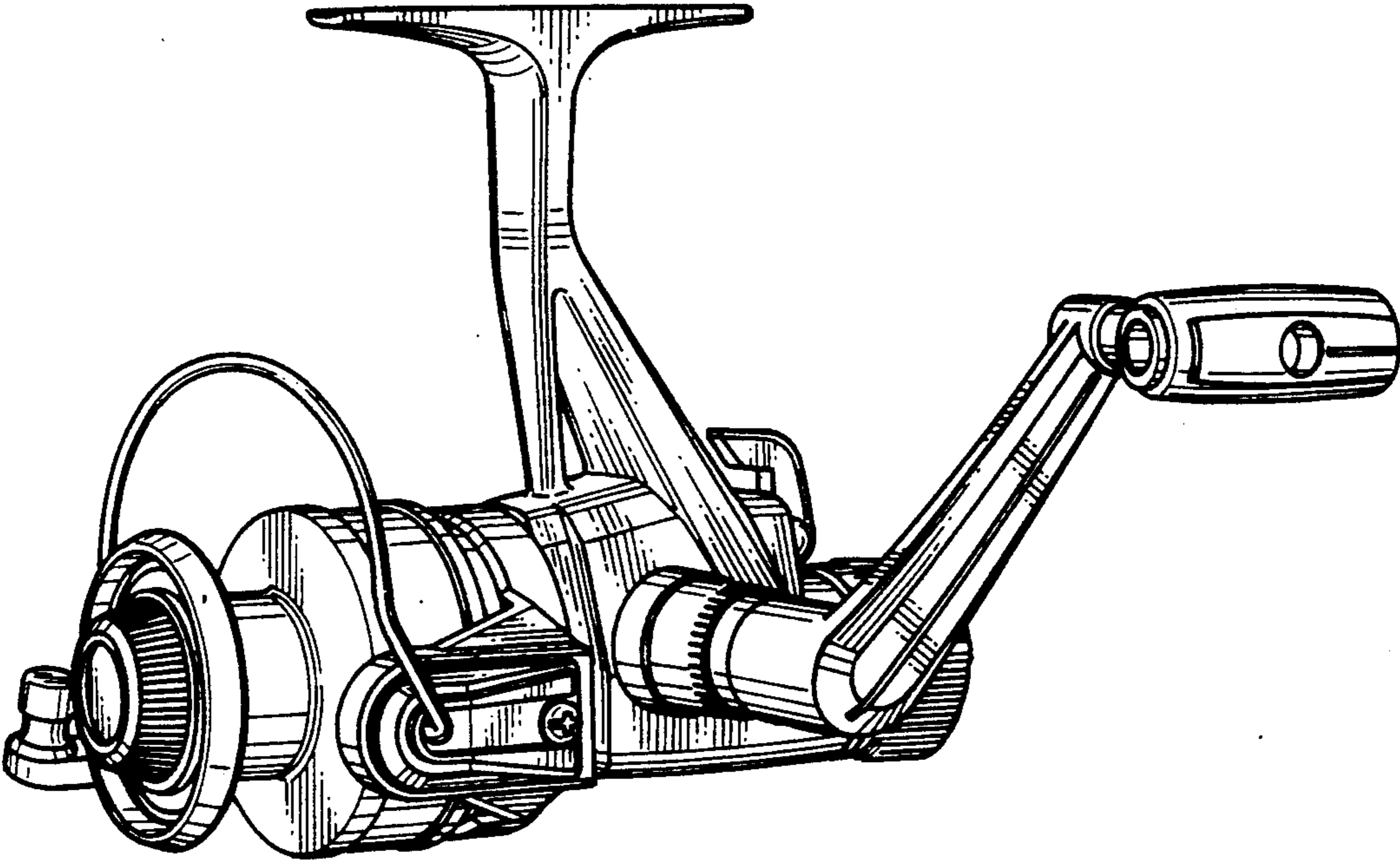
The ornamental design for a fishing reel, as shown and described.

**DESCRIPTION**

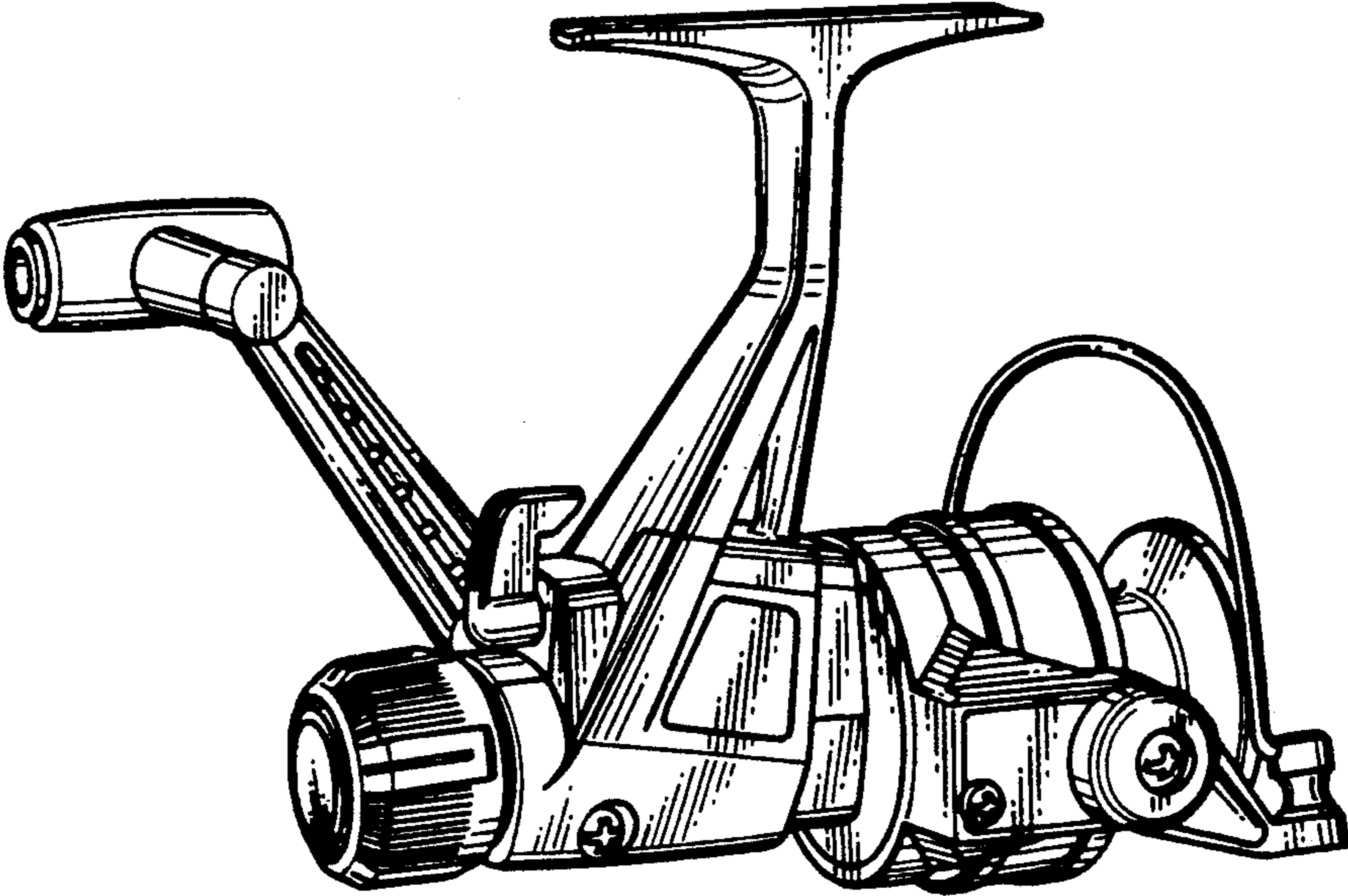
FIG. 1 is a top, front and one side perspective view of a fishing reel showing my new design;  
 FIG. 2 is a top, rear and the opposite side perspective view thereof;  
 FIG. 3 is a front elevational view thereof;  
 FIG. 4 is a rear elevational view thereof;  
 FIG. 5 is a top plan view thereof;  
 FIG. 6 is a bottom plan view thereof;  
 FIG. 7 is a left side elevational view thereof; and  
 FIG. 8 is a right side elevational view thereof.



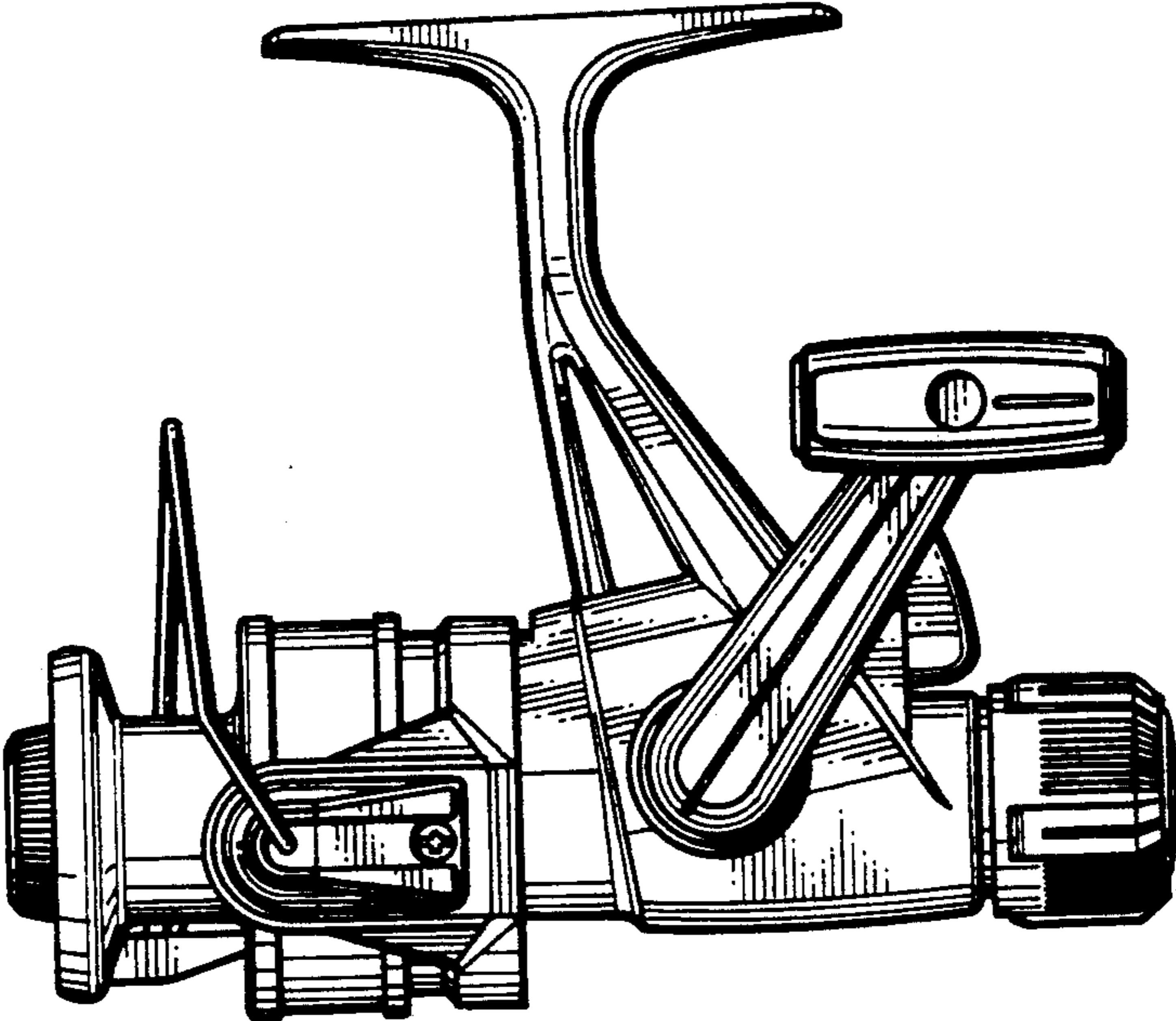
*Fig. 1*



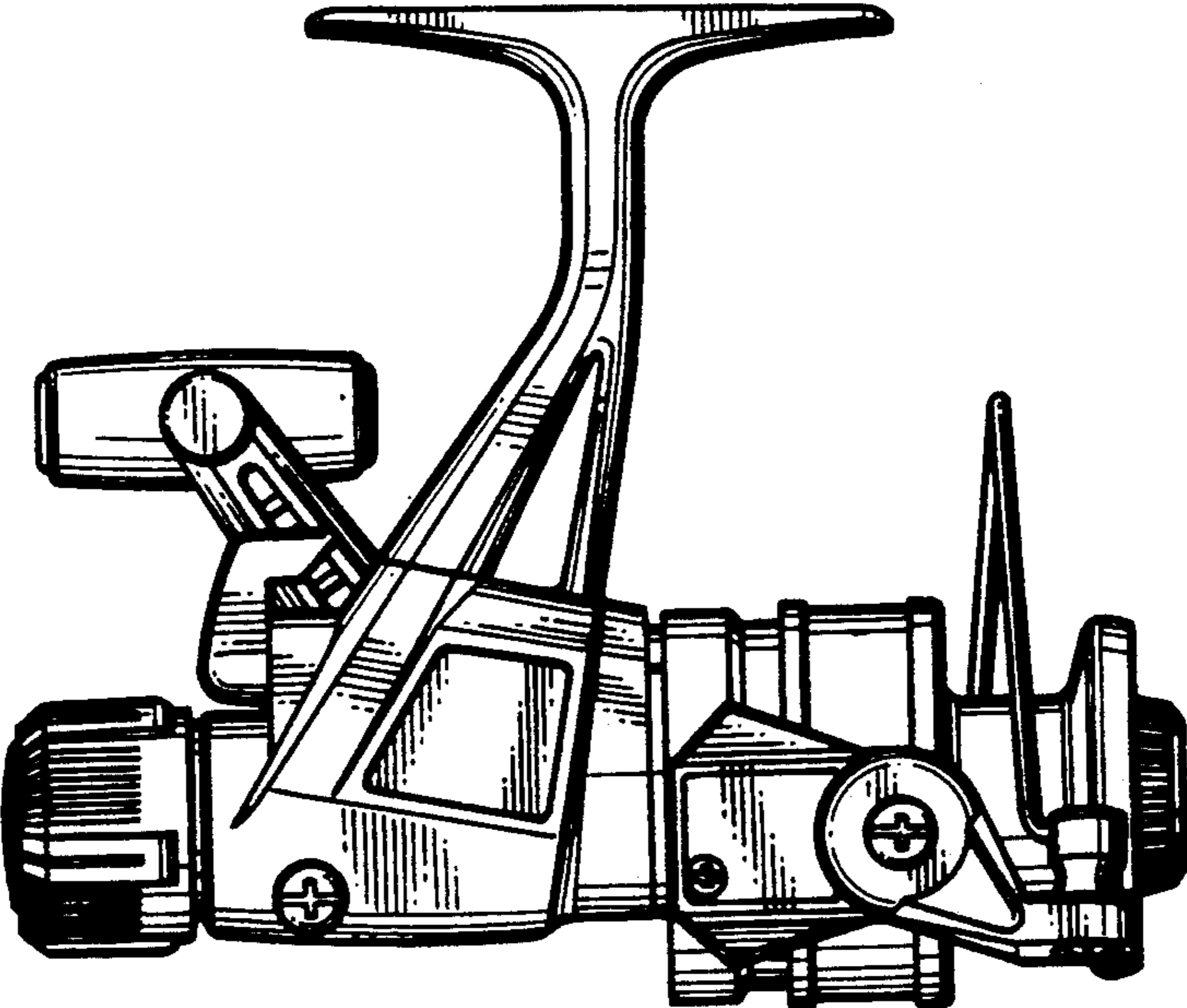
*Fig. 2*



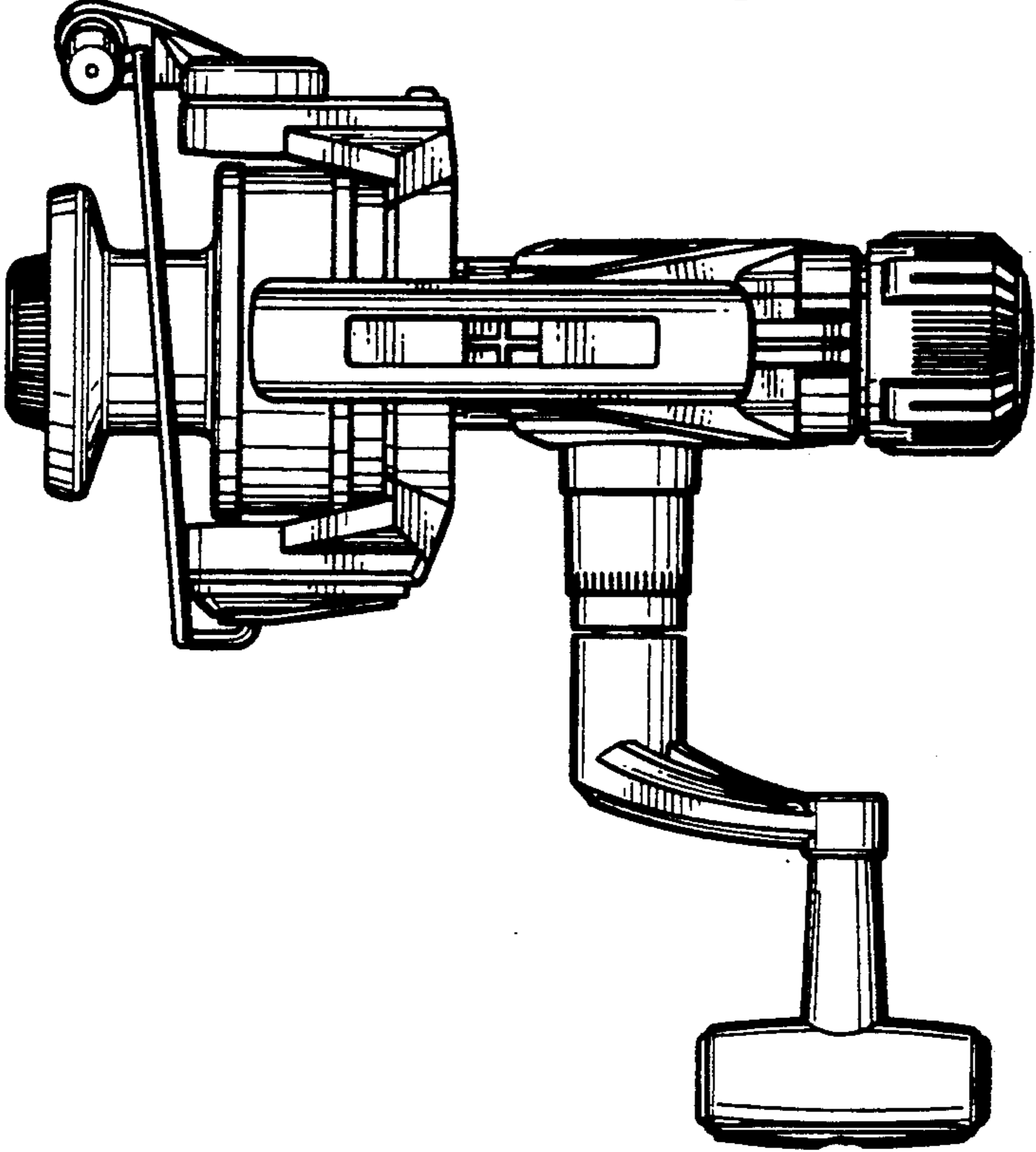
*Fig. 3*



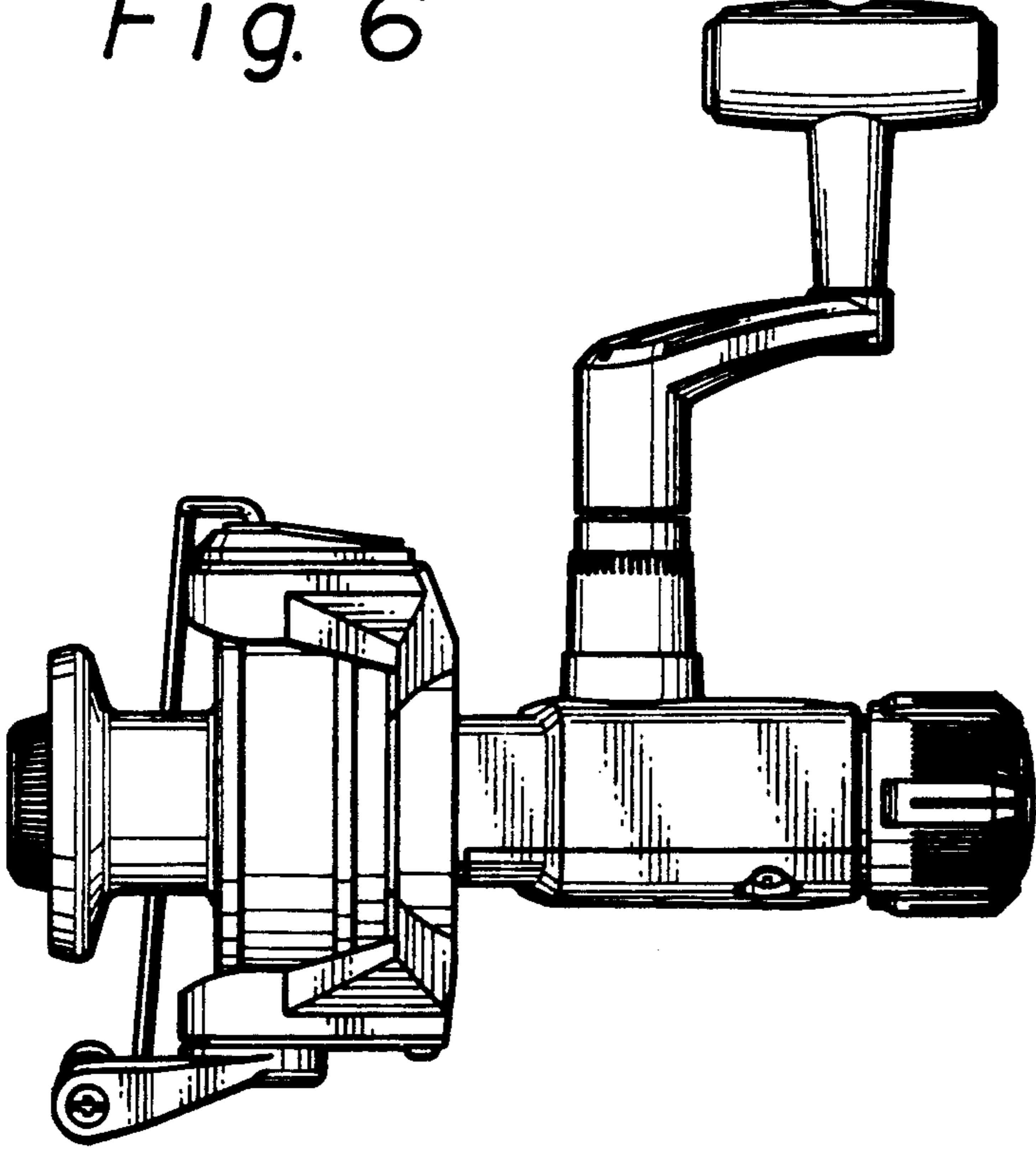
*Fig. 4*



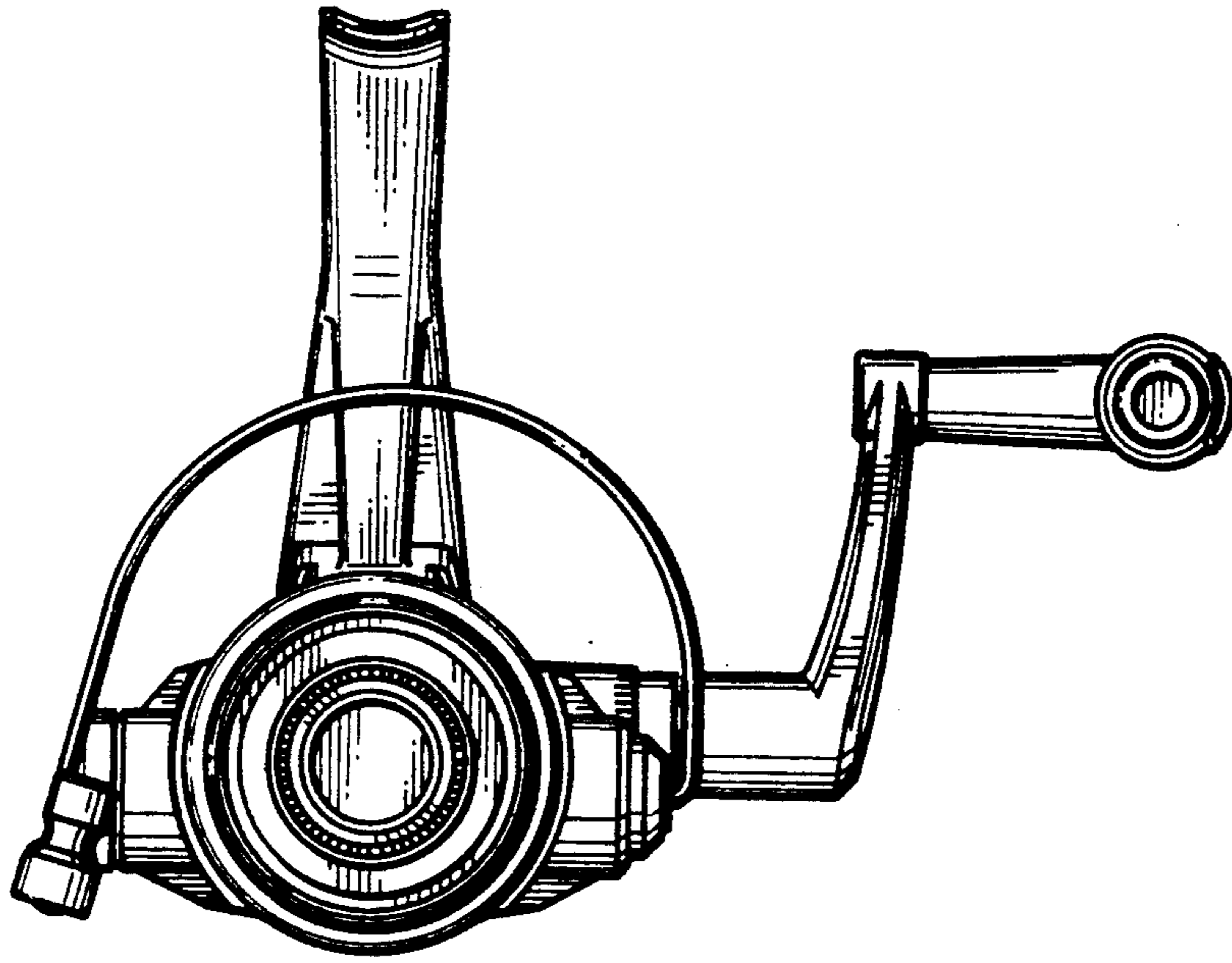
*Fig. 5*



*Fig. 6*



*Fig. 7*



*Fig. 8*

